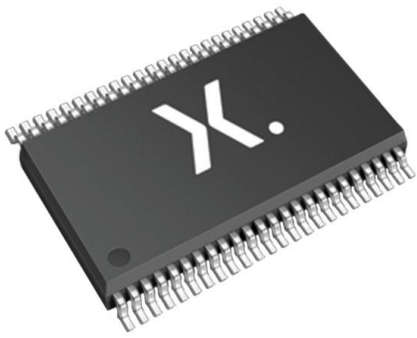


# 74ALVCH16244DGG,51 Datasheet

[www.digi-electronics.com](http://www.digi-electronics.com)



<https://www.DiGi-Electronics.com>

DiGi Electronics Part Number	74ALVCH16244DGG,51-DG
Manufacturer	<a href="#">Nexperia USA Inc.</a>
Manufacturer Product Number	74ALVCH16244DGG,51
Description	IC BUF NON-INVERT 3.6V 48TSSOP
Detailed Description	Buffer, Non-Inverting 4 Element 4 Bit per Element 3- -State Output 48-TSSOP



Tel: +00 852-30501935

RFQ Email: [Info@DiGi-Electronics.com](mailto:Info@DiGi-Electronics.com)

DiGi is a global authorized distributor of electronic components.



## Purchase and inquiry

Manufacturer Product Number:

74ALVCH16244DGG,51

Series:

74ALVCH

Logic Type:

Buffer, Non-Inverting

Number of Bits per Element:

4

Output Type:

3-State

Voltage - Supply:

1.2V ~ 3.6V

Mounting Type:

Surface Mount

Supplier Device Package:

48-TSSOP

Manufacturer:

Nexperia USA Inc.

Product Status:

Obsolete

Number of Elements:

4

Input Type:

-

Current - Output High, Low:

24mA, 24mA

Operating Temperature:

-40°C ~ 85°C (TA)

Package / Case:

48-TFSOP (0.240", 6.10mm Width)

Base Product Number:

74ALVCH16244

## Environmental & Export classification

RoHS Status:

ROHS3 Compliant

REACH Status:

REACH Unaffected

HTSUS:

8542.39.0001

Moisture Sensitivity Level (MSL):

1 (Unlimited)

ECCN:

EAR99

# 74ALVC16244; 74ALVCH16244

**2.5 V / 3.3 V 16-bit buffer/line driver; 3-state****Rev. 6 — 22 July 2021****Product data sheet**

## 1. General description

The 74ALVC16244; 74ALVCH16244 is a 16-bit buffer/line driver with 3-state outputs. The device can be used as four 4-bit buffers, two 8-bit buffers or one 16-bit buffer. The device features four output enables (1OE, 2OE, 3OE and 4OE), each controlling four of the 3-state outputs. A HIGH on nOE causes the outputs to assume a high-impedance OFF-state. This device is fully specified for partial power down applications using I<sub>OFF</sub>. The I<sub>OFF</sub> circuitry disables the output, preventing the potentially damaging backflow current through the device when it is powered down.

The 74ALVCH16244 has active bus hold circuitry which is provided to hold unused or floating data inputs at a valid logic level. This feature eliminates the need for external pull-up or pull-down resistors.

## 2. Features and benefits

- Wide supply voltage range from 1.2 V to 3.6 V
- CMOS low power consumption
- MultiByte flow-through standard pin-out architecture
- Low inductance multiple V<sub>CC</sub> and GND pins for minimum noise and ground bounce
- Overvoltage tolerant inputs to 5.5 V
- Direct interface with TTL levels
- I<sub>OFF</sub> circuitry provides partial Power-down mode operation
- All data inputs have bushold (74ALVCH16244 only)
- Latch-up performance exceeds 100 mA per JESD 78 Class II Level B
- Complies with JEDEC standards:
  - JESD8-7 (1.65 V to 1.95 V)
  - JESD8-5 (2.3 V to 2.7 V)
  - JESD8C (2.7 V to 3.6 V)
- Output drive capability 50 Ω transmission lines at 85 °C
- Current drive ±24 mA at 3.0 V
- ESD protection:
  - HBM JESD22-A114-A exceeds 2000 V
  - MM JESD22-A115-A exceeds 200 V

## 3. Ordering information

**Table 1. Ordering information**

Type number	Package			Version
	Temperature range	Name	Description	
74ALVC16244DGG	-40 °C to +85 °C	TSSOP48	plastic thin shrink small outline package; 48 leads; body width 6.1 mm	SOT362-1
74ALVCH16244DGG				

## 4. Functional diagram

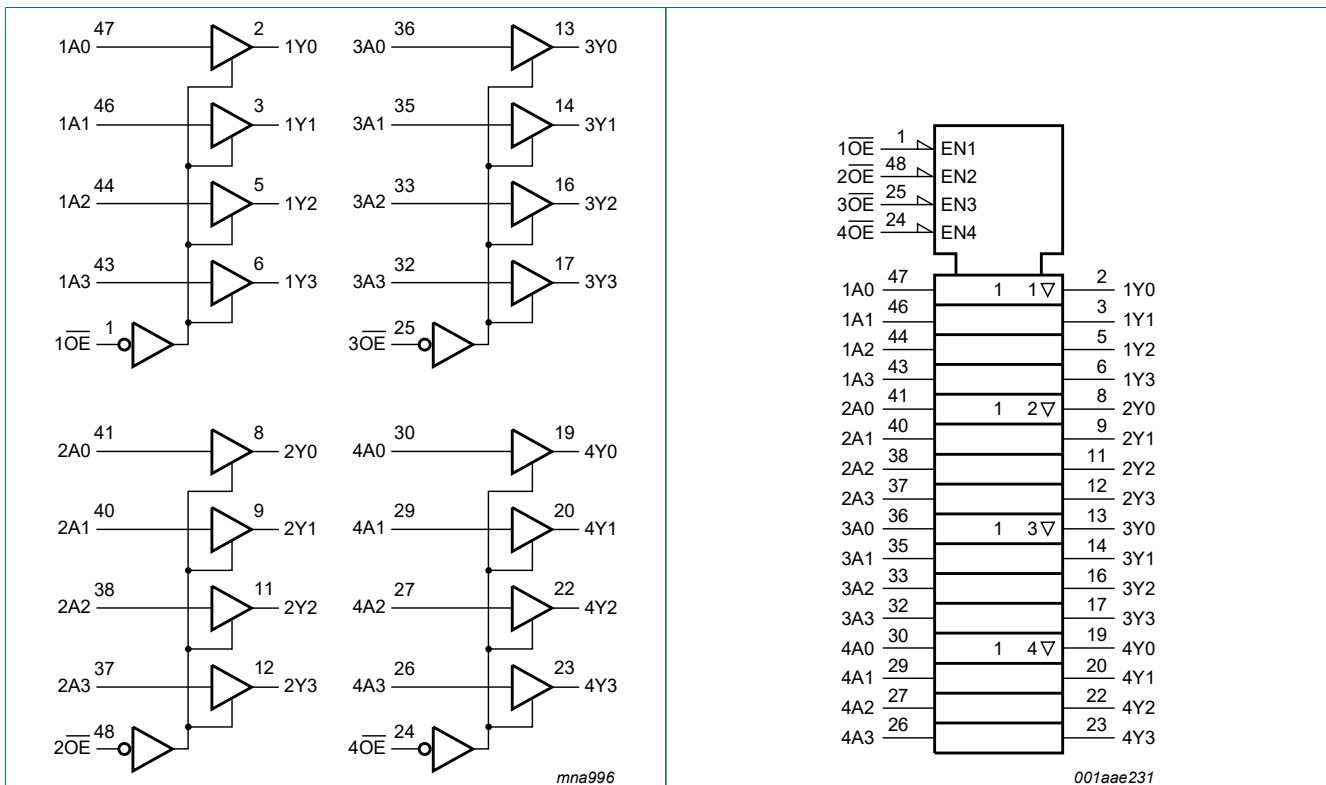


Fig. 1. Logic symbol

Fig. 2. IEC logic symbol

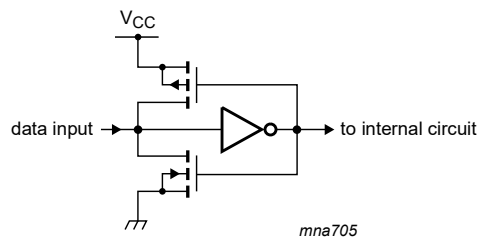


Fig. 3. Bus hold circuit

## 5. Pinning information

### 5.1. Pinning

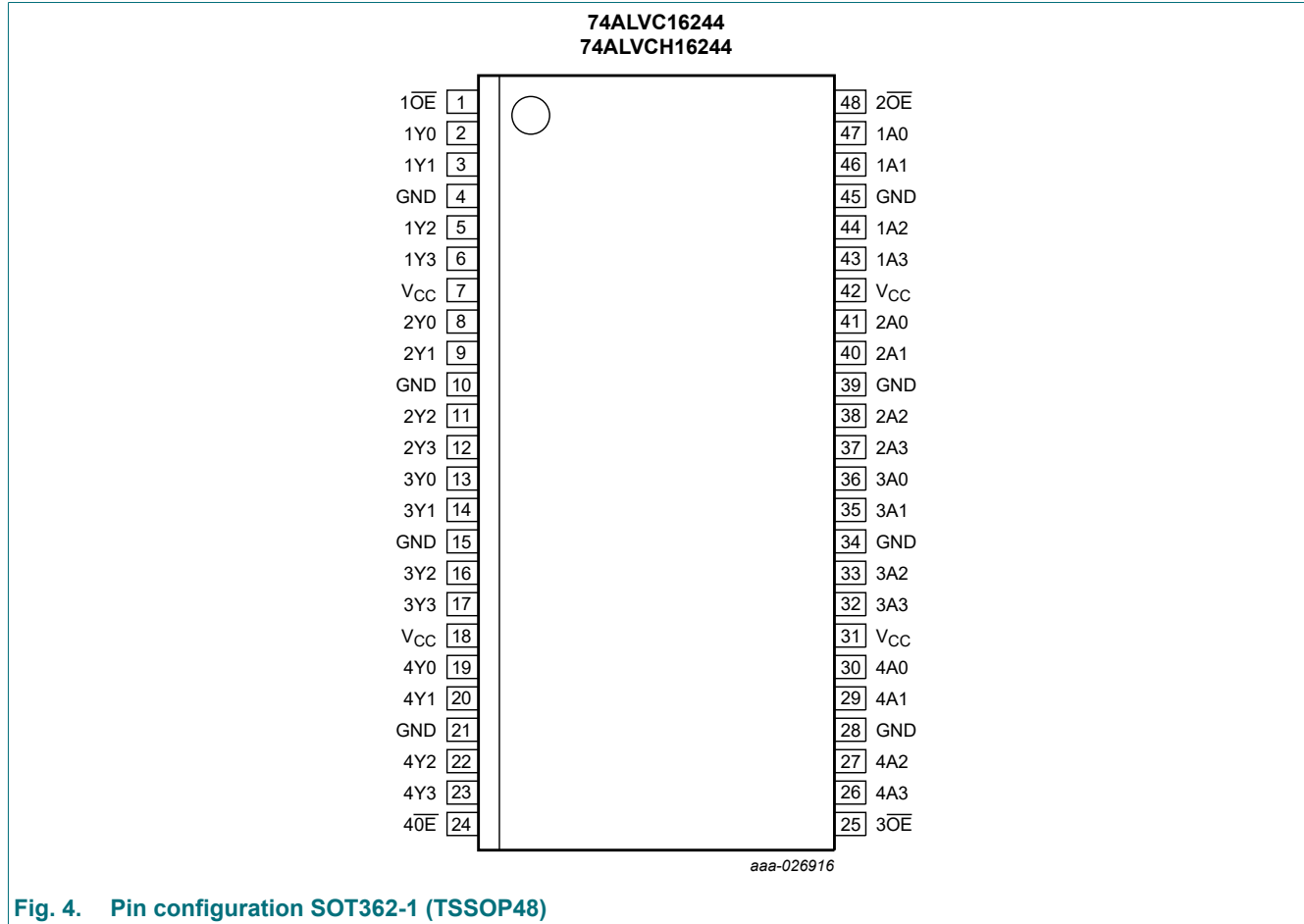


Fig. 4. Pin configuration SOT362-1 (TSSOP48)

### 5.2. Pin description

Table 2. Pin description

Symbol	Pin	Description
1OE, 2OE, 3OE, 4OE	1, 48, 25, 24	output enable inputs (active LOW)
1A0, 1A1, 1A2, 1A3	47, 46, 44, 43	data inputs
2A0, 2A1, 2A2, 2A3	41, 40, 38, 37	data inputs
3A0, 3A1, 3A2, 3A3	36, 35, 33, 32	data inputs
4A0, 4A1, 4A2, 4A3	30, 29, 27, 26	data inputs
1Y0, 1Y1, 1Y2, 1Y3	2, 3, 5, 6	data outputs
2Y0, 2Y1, 2Y2, 2Y3	8, 9, 11, 12	data outputs
3Y0, 3Y1, 3Y2, 3Y3	13, 14, 16, 17	data outputs
4Y0, 4Y1, 4Y2, 4Y3	19, 20, 22, 23	data outputs
GND	4, 10, 15, 21, 28, 34, 39, 45	ground (0 V)
V <sub>CC</sub>	7, 18, 31, 42	supply voltage

## 6. Functional description

**Table 3. Function table**

H = HIGH voltage level; L = LOW voltage level; X = don't care; Z = high-impedance OFF-state.

Input		Output
nOE	nAn	nYn
L	L	L
L	H	H
H	X	Z

## 7. Limiting values

**Table 4. Limiting values**

In accordance with the Absolute Maximum Rating System (IEC 60134). Voltages are referenced to GND (ground = 0 V).

Symbol	Parameter	Conditions	Min	Max	Unit	
$V_{CC}$	supply voltage		-0.5	+4.6	V	
$V_I$	input voltage	74ALVCH16244; data inputs	[1]	-0.5	$V_{CC} + 0.5$	V
		74ALVC16244; data inputs	[1]	-0.5	+5.5	V
		control inputs	[1]	-0.5	+5.5	V
$V_O$	output voltage		[1]	-0.5	$V_{CC} + 0.5$	V
$I_{IK}$	input clamping current	$V_I < 0$ V	-50	-	mA	
$I_{OK}$	output clamping current	$V_O > V_{CC}$ or $V_O < 0$ V	-	$\pm 50$	mA	
$I_O$	output current	$V_O = 0$ V to $V_{CC}$	-	$\pm 50$	mA	
$I_{CC}$	supply current		-	100	mA	
$I_{GND}$	ground current		-100	-	mA	
$T_{stg}$	storage temperature		-65	+150	°C	
$P_{tot}$	total power dissipation	$T_{amb} = -40$ °C to +85 °C	-	500	mW	

[1] The input and output voltage ratings may be exceeded if the input and output current ratings are observed.

## 8. Recommended operating conditions

Table 5. Recommended operating conditions

Symbol	Parameter	Conditions	Min	Max	Unit
V <sub>CC</sub>	supply voltage	maximum speed performance			
		V <sub>CC</sub> = 2.5 V; C <sub>L</sub> = 30 pF	2.3	2.7	V
		V <sub>CC</sub> = 3.3 V; C <sub>L</sub> = 50 pF	3.0	3.6	V
		LOW-voltage applications	1.2	3.6	V
V <sub>I</sub>	input voltage	74ALVCH16244; data inputs	0	V <sub>CC</sub>	V
		74ALVC16244; data inputs	0	5.5	V
		control inputs	0	5.5	V
V <sub>O</sub>	output voltage		0	V <sub>CC</sub>	V
T <sub>amb</sub>	ambient temperature	in free air	-40	+85	°C
Δt/ΔV	input transition rise and fall rate	V <sub>CC</sub> = 2.3 V to 3.0 V	0	20	ns/V
		V <sub>CC</sub> = 3.0 V to 3.6 V	0	10	ns/V

## 9. Static characteristics

Table 6. Static characteristics

At recommended operating conditions. Voltages are referenced to GND (ground = 0 V). T<sub>amb</sub> = -40 °C to +85 °C

Symbol	Parameter	Conditions	Min	Typ[1]	Max	Unit
V <sub>IH</sub>	HIGH-level input voltage	V <sub>CC</sub> = 1.2 V	V <sub>CC</sub>	-	-	V
		V <sub>CC</sub> = 1.8 V	0.7 × V <sub>CC</sub>	0.9	-	V
		V <sub>CC</sub> = 2.3 to 2.7 V	1.7	1.2	-	V
		V <sub>CC</sub> = 2.7 to 3.6 V	2.0	1.5	-	V
V <sub>IL</sub>	LOW-level input voltage	V <sub>CC</sub> = 1.2 V	-	-	GND	V
		V <sub>CC</sub> = 1.8 V	-	0.9	0.2 × V <sub>CC</sub>	V
		V <sub>CC</sub> = 2.3 to 2.7 V	-	1.2	0.7	V
		V <sub>CC</sub> = 2.7 to 3.6 V	-	1.5	0.8	V
V <sub>OH</sub>	HIGH-level output voltage	V <sub>I</sub> = V <sub>IH</sub> or V <sub>IL</sub>				
		I <sub>O</sub> = -100 μA; V <sub>CC</sub> = 1.8 V to 3.6 V	V <sub>CC</sub> - 0.2	V <sub>CC</sub>	-	V
		I <sub>O</sub> = -6 mA; V <sub>CC</sub> = 1.8 V	V <sub>CC</sub> - 0.4	V <sub>CC</sub> - 0.10	-	V
		I <sub>O</sub> = -6 mA; V <sub>CC</sub> = 2.3 V	V <sub>CC</sub> - 0.3	V <sub>CC</sub> - 0.08	-	V
		I <sub>O</sub> = -12 mA; V <sub>CC</sub> = 2.3 V	V <sub>CC</sub> - 0.5	V <sub>CC</sub> - 0.17	-	V
		I <sub>O</sub> = -18 mA; V <sub>CC</sub> = 2.3 V	V <sub>CC</sub> - 0.6	V <sub>CC</sub> - 0.26	-	V
		I <sub>O</sub> = -12 mA; V <sub>CC</sub> = 2.7 V	V <sub>CC</sub> - 0.5	V <sub>CC</sub> - 0.14	-	V
		I <sub>O</sub> = -24 mA; V <sub>CC</sub> = 3.0 V	V <sub>CC</sub> - 1.0	V <sub>CC</sub> - 0.28	-	V
V <sub>OL</sub>	LOW-level output voltage	V <sub>I</sub> = V <sub>IH</sub> or V <sub>IL</sub>				
		I <sub>O</sub> = 100 μA; V <sub>CC</sub> = 1.8 V to 3.6 V	-	GND	0.20	V
		I <sub>O</sub> = 6 mA; V <sub>CC</sub> = 1.8 V	-	0.09	0.30	V
		I <sub>O</sub> = 6 mA; V <sub>CC</sub> = 2.3 V	-	0.07	0.20	V
		I <sub>O</sub> = 12 mA; V <sub>CC</sub> = 2.3 V	-	0.15	0.40	V
		I <sub>O</sub> = 18 mA; V <sub>CC</sub> = 2.3 V	-	0.23	0.60	V
		I <sub>O</sub> = 12 mA; V <sub>CC</sub> = 2.7 V	-	0.14	0.40	V
		I <sub>O</sub> = 24 mA; V <sub>CC</sub> = 3.0 V	-	0.27	0.55	V

Symbol	Parameter	Conditions	Min	Typ[1]	Max	Unit
$I_I$	input leakage current	74ALVCH16244; data inputs; $V_I = V_{CC}$ or GND; $V_{CC} = 1.8$ V to 3.6 V	-	0.1	5	$\mu$ A
		74ALVC16244; data inputs; $V_I = 5.5$ V or GND; $V_{CC} = 1.8$ V to 3.6 V	-	0.1	5	$\mu$ A
		control inputs; $V_I = 5.5$ V or GND; $V_{CC} = 1.8$ V to 3.6 V	-	0.1	5	$\mu$ A
$I_{BHL}$	bus hold LOW current	$V_{CC} = 2.3$ V; $V_I = 0.7$ V [2]	45	-	-	$\mu$ A
		$V_{CC} = 3.0$ V; $V_I = 0.8$ V [2]	75	150	-	$\mu$ A
$I_{BHH}$	bus hold HIGH current	$V_{CC} = 2.3$ V; $V_I = 1.7$ V [2]	-45	-	-	$\mu$ A
		$V_{CC} = 3.0$ V; $V_I = 2.0$ V [2]	-75	-175	-	$\mu$ A
$I_{BHLO}$	bus hold LOW overdrive current	$V_{CC} = 2.7$ V [2]	300	-	-	$\mu$ A
		$V_{CC} = 3.6$ V [2]	450	-	-	$\mu$ A
$I_{BHHO}$	bus hold HIGH overdrive current	$V_{CC} = 2.7$ V [2]	-300	-	-	$\mu$ A
		$V_{CC} = 3.6$ V [2]	-450	-	-	$\mu$ A
$I_{OZ}$	OFF-state output current	$V_{CC} = 1.8$ to 2.7 V; $V_I = V_{IH}$ or $V_{IL}$ ; $V_O = V_{CC}$ or GND	-	0.1	5	$\mu$ A
		$V_{CC} = 3.6$ V; $V_I = V_{IH}$ or $V_{IL}$ ; $V_O = V_{CC}$ or GND	-	0.1	10	$\mu$ A
$I_{CC}$	supply current	$V_{CC} = 1.8$ to 2.7 V; $V_I = V_{CC}$ or GND; $I_O = 0$ A	-	0.1	20	$\mu$ A
		$V_{CC} = 2.3$ to 3.6 V; $V_I = V_{CC}$ or GND; $I_O = 0$ A	-	0.2	40	$\mu$ A
$\Delta I_{CC}$	additional supply current	per input pin; $V_I = V_{CC} - 0.6$ V; $I_O = 0$ A; $V_{CC} = 2.7$ V to 3.6 V				
		74ALVCH16244; data inputs	-	150	750	$\mu$ A
		74ALVC16244; data inputs	-	5	500	$\mu$ A
		control pins	-	5	500	$\mu$ A
$C_I$	input capacitance		-	5.0	-	pF

[1] All typical values are measured at  $T_{amb} = 25$  °C.

[2] Valid for data inputs of bus hold parts.



## 10. Dynamic characteristics

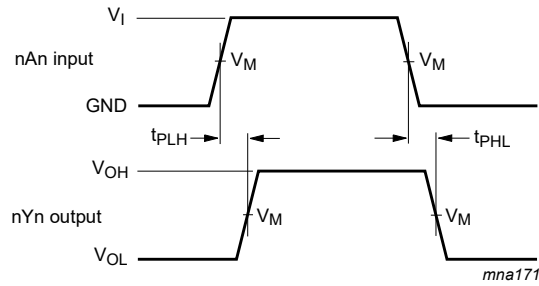
**Table 7. Dynamic characteristics**

Voltages are referenced to GND (ground = 0 V). For test circuit, see Fig. 7.

Symbol	Parameter	Conditions	T <sub>amb</sub> = -40 °C to +85 °C			Unit
			Min	Typ[1]	Max	
t <sub>pd</sub>	propagation delay	nAn to nYn; see Fig. 5 [2]				
		V <sub>CC</sub> = 1.2 V	-	5.8	-	ns
		V <sub>CC</sub> = 1.8 V	1.5	2.8	5.1	ns
		V <sub>CC</sub> = 2.3 V to 2.7 V	1.0	1.9	3.7	ns
		V <sub>CC</sub> = 2.7 V	1.0	2.1	3.6	ns
	V <sub>CC</sub> = 3.0 V to 3.6 V	1.0	1.9	3.0	ns	
t <sub>en</sub>	enable time	nOE to nYn; see Fig. 6 [3]				
		V <sub>CC</sub> = 1.2 V	-	8.4	-	ns
		V <sub>CC</sub> = 1.8 V	1.5	3.8	7.1	ns
		V <sub>CC</sub> = 2.3 V to 2.7 V	1.0	2.5	4.9	ns
		V <sub>CC</sub> = 2.7 V	1.0	2.9	4.9	ns
	V <sub>CC</sub> = 3.0 V to 3.6 V	1.0	2.3	4.0	ns	
t <sub>dis</sub>	disable time	nOE to nYn; see Fig. 6 [4]				
		V <sub>CC</sub> = 1.2 V	-	5.9	-	ns
		V <sub>CC</sub> = 1.8 V	1.5	3.1	5.4	ns
		V <sub>CC</sub> = 2.3 V to 2.7 V	1.0	2.1	4.1	ns
		V <sub>CC</sub> = 2.7 V	1.0	3.0	4.5	ns
	V <sub>CC</sub> = 3.0 V to 3.6 V	1.0	2.7	4.1	ns	
C <sub>PD</sub>	power dissipation capacitance	per buffer; V <sub>I</sub> = GND to V <sub>CC</sub> [5]				
		outputs enabled	-	25	-	pF
		outputs disabled	-	4	-	pF

- [1] Typical values are measured at T<sub>amb</sub> = 25 °C  
 Typical values for V<sub>CC</sub> = 2.3 V to 2.7 V are measured at V<sub>CC</sub> = 2.5 V  
 Typical values for V<sub>CC</sub> = 3.0 V to 3.6 V are measured at V<sub>CC</sub> = 3.3 V
- [2] t<sub>pd</sub> is the same as t<sub>PHL</sub> and t<sub>PLH</sub>.
- [3] t<sub>en</sub> is the same as t<sub>PZH</sub> and t<sub>PZL</sub>.
- [4] t<sub>dis</sub> is the same as t<sub>PHZ</sub> and t<sub>PLZ</sub>.
- [5] C<sub>PD</sub> is used to determine the dynamic power dissipation (P<sub>D</sub> in μW).  
 $P_D = C_{PD} \times V_{CC}^2 \times f_i \times N + \Sigma(C_L \times V_{CC}^2 \times f_o)$  where:  
 f<sub>i</sub> = input frequency in MHz  
 f<sub>o</sub> = output frequency in MHz  
 C<sub>L</sub> = output load capacitance in pF  
 V<sub>CC</sub> = supply voltage in Volts  
 N = total load switching outputs  
 Σ(C<sub>L</sub> × V<sub>CC</sub><sup>2</sup> × f<sub>o</sub>) = sum of the outputs

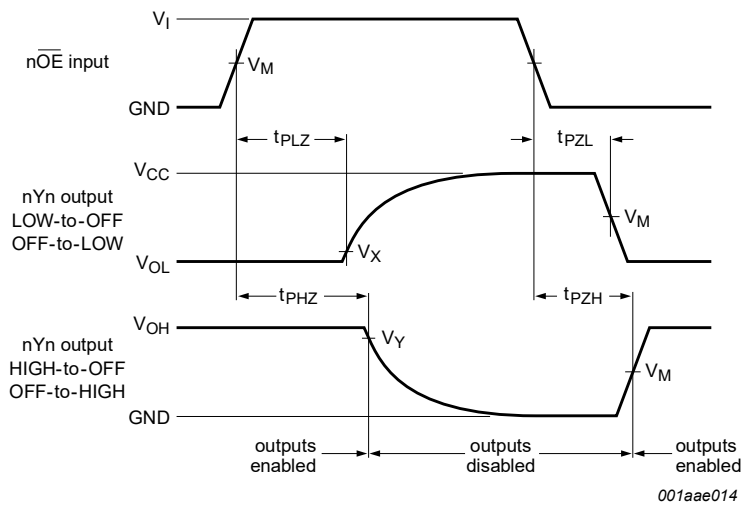
## 10.1. Waveforms and test circuit



Measurement points are given in [Table 8](#).

$V_{OL}$  and  $V_{OH}$  are typical voltage output levels that occur with the output load.

**Fig. 5. The input (nAn) to output (nYn) propagation delays**



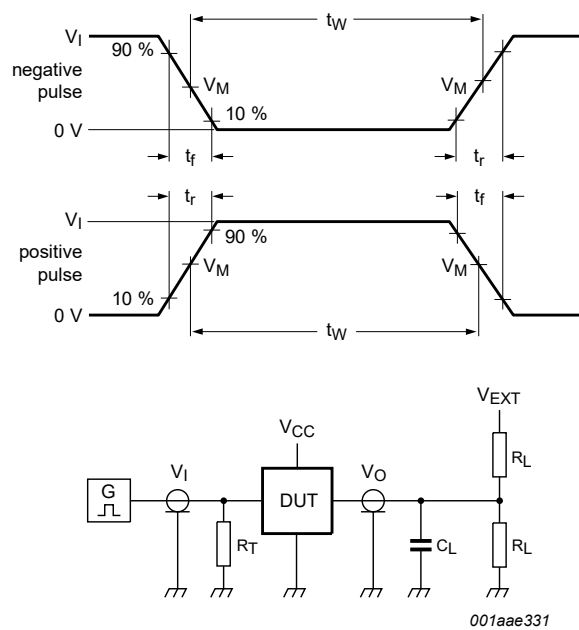
Measurement points are given in [Table 8](#).

$V_{OL}$  and  $V_{OH}$  are typical voltage output levels that occur with the output load.

**Fig. 6. 3-state enable and disable times**

**Table 8. Measurement points**

Supply voltage	Input		Output		
	$V_I$	$V_M$	$V_M$	$V_X$	$V_Y$
1.2	$V_{CC}$	$0.5 \times V_{CC}$	$0.5V_{CC}$	$V_{OL} + 0.15 \text{ V}$	$V_{OH} - 0.15 \text{ V}$
1.8 V	$V_{CC}$	$0.5 \times V_{CC}$	$0.5V_{CC}$	$V_{OL} + 0.15 \text{ V}$	$V_{OH} - 0.15 \text{ V}$
2.3 V to 2.7 V	$V_{CC}$	$0.5 \times V_{CC}$	$0.5V_{CC}$	$V_{OL} + 0.15 \text{ V}$	$V_{OH} - 0.15 \text{ V}$
2.7 V	2.7 V	1.5 V	1.5 V	$V_{OL} + 0.3 \text{ V}$	$V_{OH} - 0.3 \text{ V}$
3.0 V to 3.6 V	2.7 V	1.5 V	1.5 V	$V_{OL} + 0.3 \text{ V}$	$V_{OH} - 0.3 \text{ V}$



Test data is given in [Table 9](#).

Definitions for test circuit:

$R_L$  = Load resistance.

$C_L$  = Load capacitance including jig and probe capacitance.

$R_T$  = Termination resistance should be equal to output impedance  $Z_o$  of the pulse generator.

$V_{EXT}$  = External voltage for measuring switching times.

**Fig. 7. Test circuit for measuring switching times**

**Table 9. Test data**

Supply voltage	Input		Load		$V_{EXT}$		
$V_{CC}$	$V_I$	$t_r, t_f$	$C_L$	$R_L$	$t_{PLH}, t_{PHL}$	$t_{PLZ}, t_{PZL}$	$t_{PHZ}, t_{PZH}$
1.2 V	$V_{CC}$	$\leq 2.0$ ns	30 pF	500 $\Omega$	open	$2 \times V_{CC}$	GND
1.8 V	$V_{CC}$	$\leq 2.0$ ns	30 pF	500 $\Omega$	open	$2 \times V_{CC}$	GND
2.3 V to 2.7 V	$V_{CC}$	$\leq 2.0$ ns	30 pF	500 $\Omega$	open	$2 \times V_{CC}$	GND
2.7 V	2.7 V	$\leq 2.5$ ns	50 pF	500 $\Omega$	open	$2 \times V_{CC}$	GND
3.0 V to 3.6 V	2.7 V	$\leq 2.5$ ns	50 pF	500 $\Omega$	open	$2 \times V_{CC}$	GND

## 11. Package outline

TSSOP48: plastic thin shrink small outline package; 48 leads; body width 6.1 mm

SOT362-1

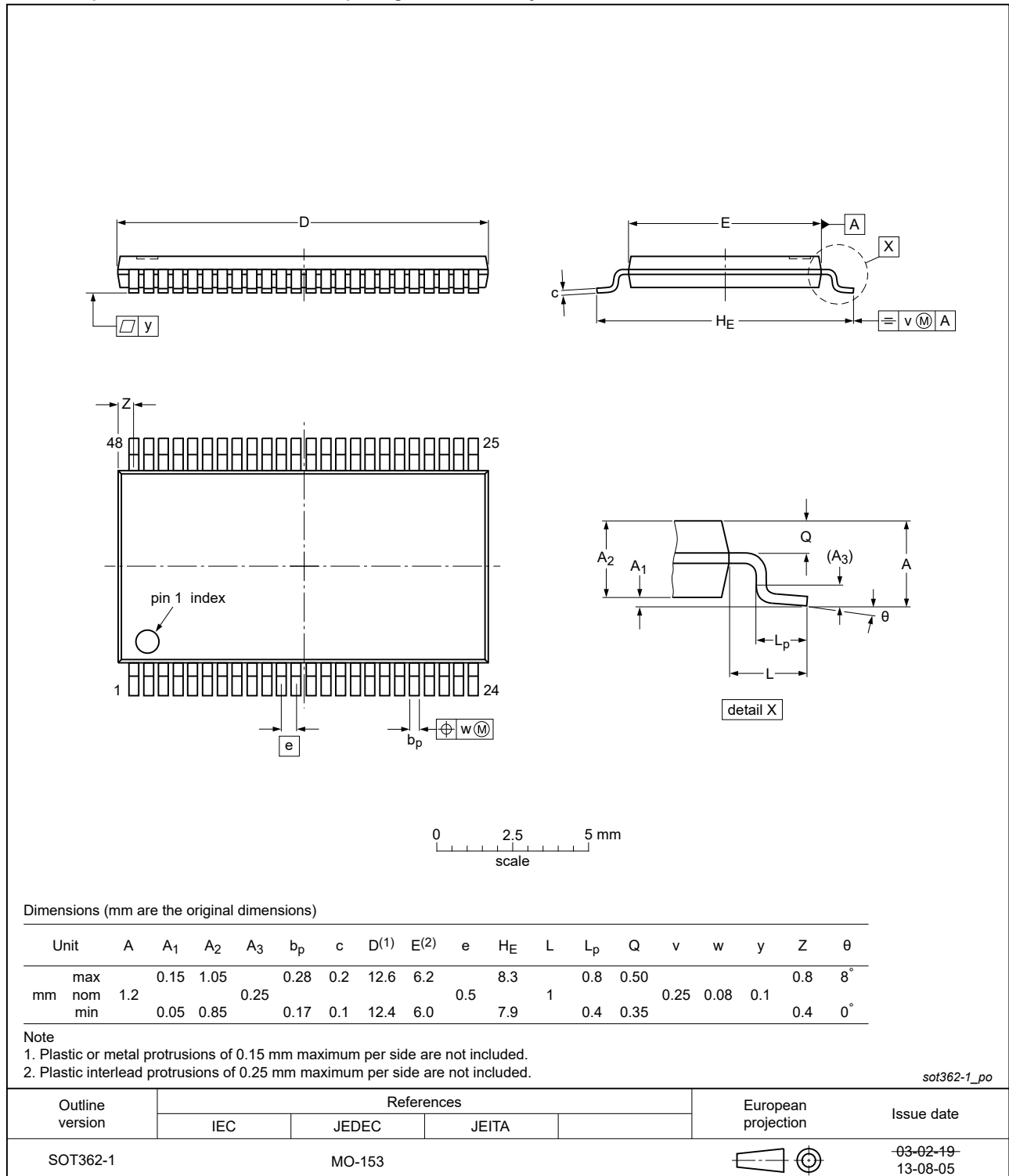


Fig. 8. Package outline SOT362-1 (TSSOP48)

## 12. Abbreviations

Table 10. Abbreviations

Acronym	Description
CMOS	Complementary Metal-Oxide Semiconductor
DUT	Device Under Test
ESD	ElectroStatic Discharge
HBM	Human Body Model
MM	Machine Model
TTL	Transistor-Transistor Logic

## 13. Revision history

Table 11. Revision history

Document ID	Release date	Data sheet status	Change notice	Supersedes
74ALVC_ALVCH16244 v.6	20210722	Product data sheet	-	74ALVC_ALVCH16244 v.5
Modifications:	<ul style="list-style-type: none"> <li>Type number 74ALVC16244DL (SOT370-1/SSOP48) removed.</li> <li><a href="#">Section 1</a> and <a href="#">Section 2</a> updated.</li> <li><a href="#">Section 7</a>: derating values for <math>P_{tot}</math> total power dissipation updated.</li> </ul>			
74ALVC_ALVCH16244 v.5	20190115	Product data sheet	-	74ALVC_ALVCH16244 v.4
Modifications:	<ul style="list-style-type: none"> <li>Type number 74ALVCH16244DL (SOT370-1) removed.</li> </ul>			
74ALVC_ALVCH16244 v.4	20170612	Product data sheet	-	74ALVC_ALVCH16244 v.3
Modifications:	<ul style="list-style-type: none"> <li>The format of this data sheet has been redesigned to comply with the identity guidelines of Nexperia.</li> <li>Legal texts have been adapted to the new company name where appropriate.</li> </ul>			
74ALVC_ALVCH16244 v.3	20030514	Product specification	-	74ALVC_ALVCH16244 v.2
74ALVC_ALVCH16244 v.2	19980629	Product specification	-	74ALVCH16244 v.1
74ALVCH16244 v.1	19970321	Product specification	-	-



## 14. Legal information

### Data sheet status

Document status [1][2]	Product status [3]	Definition
Objective [short] data sheet	Development	This document contains data from the objective specification for product development.
Preliminary [short] data sheet	Qualification	This document contains data from the preliminary specification.
Product [short] data sheet	Production	This document contains the product specification.

- [1] Please consult the most recently issued document before initiating or completing a design.
- [2] The term 'short data sheet' is explained in section "Definitions".
- [3] The product status of device(s) described in this document may have changed since this document was published and may differ in case of multiple devices. The latest product status information is available on the internet at <https://www.nexperia.com>.

### Definitions

**Draft** — The document is a draft version only. The content is still under internal review and subject to formal approval, which may result in modifications or additions. Nexperia does not give any representations or warranties as to the accuracy or completeness of information included herein and shall have no liability for the consequences of use of such information.

**Short data sheet** — A short data sheet is an extract from a full data sheet with the same product type number(s) and title. A short data sheet is intended for quick reference only and should not be relied upon to contain detailed and full information. For detailed and full information see the relevant full data sheet, which is available on request via the local Nexperia sales office. In case of any inconsistency or conflict with the short data sheet, the full data sheet shall prevail.

**Product specification** — The information and data provided in a Product data sheet shall define the specification of the product as agreed between Nexperia and its customer, unless Nexperia and customer have explicitly agreed otherwise in writing. In no event however, shall an agreement be valid in which the Nexperia product is deemed to offer functions and qualities beyond those described in the Product data sheet.

### Disclaimers

**Limited warranty and liability** — Information in this document is believed to be accurate and reliable. However, Nexperia does not give any representations or warranties, expressed or implied, as to the accuracy or completeness of such information and shall have no liability for the consequences of use of such information. Nexperia takes no responsibility for the content in this document if provided by an information source outside of Nexperia.

In no event shall Nexperia be liable for any indirect, incidental, punitive, special or consequential damages (including - without limitation - lost profits, lost savings, business interruption, costs related to the removal or replacement of any products or rework charges) whether or not such damages are based on tort (including negligence), warranty, breach of contract or any other legal theory.

Notwithstanding any damages that customer might incur for any reason whatsoever, Nexperia's aggregate and cumulative liability towards customer for the products described herein shall be limited in accordance with the Terms and conditions of commercial sale of Nexperia.

**Right to make changes** — Nexperia reserves the right to make changes to information published in this document, including without limitation specifications and product descriptions, at any time and without notice. This document supersedes and replaces all information supplied prior to the publication hereof.

**Suitability for use** — Nexperia products are not designed, authorized or warranted to be suitable for use in life support, life-critical or safety-critical systems or equipment, nor in applications where failure or malfunction of an Nexperia product can reasonably be expected to result in personal

injury, death or severe property or environmental damage. Nexperia and its suppliers accept no liability for inclusion and/or use of Nexperia products in such equipment or applications and therefore such inclusion and/or use is at the customer's own risk.

**Quick reference data** — The Quick reference data is an extract of the product data given in the Limiting values and Characteristics sections of this document, and as such is not complete, exhaustive or legally binding.

**Applications** — Applications that are described herein for any of these products are for illustrative purposes only. Nexperia makes no representation or warranty that such applications will be suitable for the specified use without further testing or modification.

Customers are responsible for the design and operation of their applications and products using Nexperia products, and Nexperia accepts no liability for any assistance with applications or customer product design. It is customer's sole responsibility to determine whether the Nexperia product is suitable and fit for the customer's applications and products planned, as well as for the planned application and use of customer's third party customer(s). Customers should provide appropriate design and operating safeguards to minimize the risks associated with their applications and products.

Nexperia does not accept any liability related to any default, damage, costs or problem which is based on any weakness or default in the customer's applications or products, or the application or use by customer's third party customer(s). Customer is responsible for doing all necessary testing for the customer's applications and products using Nexperia products in order to avoid a default of the applications and the products or of the application or use by customer's third party customer(s). Nexperia does not accept any liability in this respect.

**Limiting values** — Stress above one or more limiting values (as defined in the Absolute Maximum Ratings System of IEC 60134) will cause permanent damage to the device. Limiting values are stress ratings only and (proper) operation of the device at these or any other conditions above those given in the Recommended operating conditions section (if present) or the Characteristics sections of this document is not warranted. Constant or repeated exposure to limiting values will permanently and irreversibly affect the quality and reliability of the device.

**Terms and conditions of commercial sale** — Nexperia products are sold subject to the general terms and conditions of commercial sale, as published at <http://www.nexperia.com/profile/terms>, unless otherwise agreed in a valid written individual agreement. In case an individual agreement is concluded only the terms and conditions of the respective agreement shall apply. Nexperia hereby expressly objects to applying the customer's general terms and conditions with regard to the purchase of Nexperia products by customer.

**No offer to sell or license** — Nothing in this document may be interpreted or construed as an offer to sell products that is open for acceptance or the grant, conveyance or implication of any license under any copyrights, patents or other industrial or intellectual property rights.

**Export control** — This document as well as the item(s) described herein may be subject to export control regulations. Export might require a prior authorization from competent authorities.

**Non-automotive qualified products** — Unless this data sheet expressly states that this specific Nexperia product is automotive qualified, the product is not suitable for automotive use. It is neither qualified nor tested in accordance with automotive testing or application requirements. Nexperia accepts no liability for inclusion and/or use of non-automotive qualified products in automotive equipment or applications.

In the event that customer uses the product for design-in and use in automotive applications to automotive specifications and standards, customer (a) shall use the product without Nexperia's warranty of the product for such automotive applications, use and specifications, and (b) whenever customer uses the product for automotive applications beyond Nexperia's specifications such use shall be solely at customer's own risk, and (c) customer fully indemnifies Nexperia for any liability, damages or failed product claims resulting from customer design and use of the product for automotive applications beyond Nexperia's standard warranty and Nexperia's product specifications.

**Translations** — A non-English (translated) version of a document is for reference only. The English version shall prevail in case of any discrepancy between the translated and English versions.

### Trademarks

Notice: All referenced brands, product names, service names and trademarks are the property of their respective owners.

## Contents

<b>1. General description</b> .....	<b>1</b>
<b>2. Features and benefits</b> .....	<b>1</b>
<b>3. Ordering information</b> .....	<b>1</b>
<b>4. Functional diagram</b> .....	<b>2</b>
<b>5. Pinning information</b> .....	<b>3</b>
5.1. Pinning.....	3
5.2. Pin description.....	3
<b>6. Functional description</b> .....	<b>4</b>
<b>7. Limiting values</b> .....	<b>4</b>
<b>8. Recommended operating conditions</b> .....	<b>5</b>
<b>9. Static characteristics</b> .....	<b>5</b>
<b>10. Dynamic characteristics</b> .....	<b>7</b>
10.1. Waveforms and test circuit.....	8
<b>11. Package outline</b> .....	<b>10</b>
<b>12. Abbreviations</b> .....	<b>11</b>
<b>13. Revision history</b> .....	<b>11</b>
<b>14. Legal information</b> .....	<b>12</b>

© Nexperia B.V. 2021. All rights reserved

For more information, please visit: <http://www.nexperia.com>  
 For sales office addresses, please send an email to: [salesaddresses@nexperia.com](mailto:salesaddresses@nexperia.com)  
**Date of release: 22 July 2021**



## OUR CERTIFICATE

DiGi provide top-quality products and perfect service for customer worldwide through standardization, technological innovation and continuous improvement. DiGi through third-party certification, we stricly control the quality of products and services. Welcome your RFQ to

Email: [Info@DiGi-Electronics.com](mailto:Info@DiGi-Electronics.com)



Tel: +00 852-30501935

RFQ Email: [Info@DiGi-Electronics.com](mailto:Info@DiGi-Electronics.com)

DiGi is a global authorized distributor of electronic components.