

# LHT2W331MELC35 Datasheet



DiGi Electronics Part Number	LHT2W331MELC35-DG
Manufacturer	<a href="#">Nichicon</a>
Manufacturer Product Number	LHT2W331MELC35
Description	CAP ALUM 330UF 20% 450V SNAP
Detailed Description	330 $\mu$ F 450 V Aluminum Electrolytic Capacitors Radial, Can - Snap-In 3000 Hrs @ 125°C

<https://www.DiGi-Electronics.com>

This model LHT2W331MELC35 is available at DiGi Electronics.

DiGi Electronics offers a global database of semiconductor and electronic component datasheets.

We welcome your inquiries regarding pricing, lead time, or other product-related questions.

 [Request a Quote](#)

 [Datasheet Search](#)



Tel: +00 852-30501935

RFQ Email: [Info@DiGi-Electronics.com](mailto:Info@DiGi-Electronics.com)

DiGi is a global authorized distributor of electronic components.

## Purchase and inquiry

Manufacturer Product Number:

LHT2W331MELC35

Series:

LHT

Capacitance:

330  $\mu$ F

Voltage - Rated:

450 V

Lifetime @ Temp.:

3000 Hrs @ 125°C

Polarization:

Polar

Applications:

General Purpose

Ripple Current @ High Frequency:

2.1593 A @ 50 kHz

Size / Dimension:

1.378" Dia (35.00mm)

Surface Mount Land Size:

-

Package / Case:

Radial, Can - Snap-In

Manufacturer:

Nichicon

Product Status:

Active

Tolerance:

$\pm$ 20%

ESR (Equivalent Series Resistance):

-

Operating Temperature:

-40°C ~ 125°C

Ratings:

-

Ripple Current @ Low Frequency:

1.51 A @ 120 Hz

Lead Spacing:

0.394" (10.00mm)

Height - Seated (Max):

1.476" (37.50mm)

Mounting Type:

Through Hole

## Environmental & Export classification

RoHS Status:

ROHS3 Compliant

REACH Status:

REACH Affected

HTSUS:

8532.22.0040

Moisture Sensitivity Level (MSL):

Not Applicable

ECCN:

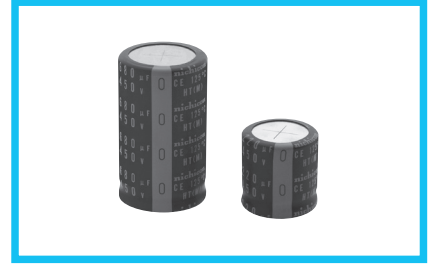
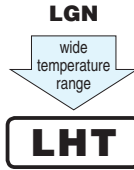
EAR99

# ALUMINUM ELECTROLYTIC CAPACITORS

# LHT

Snap-in Terminal Type, 125°C Wide Temperature Range

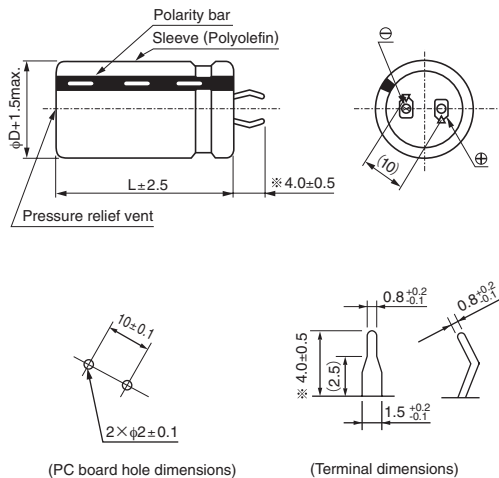
- Wide temperature range of LGN.
- Contributing to high temperature support of equipment.
- Compliant of the RoHS directive (2011/65/EU,(EU)2015/863).



## Specifications

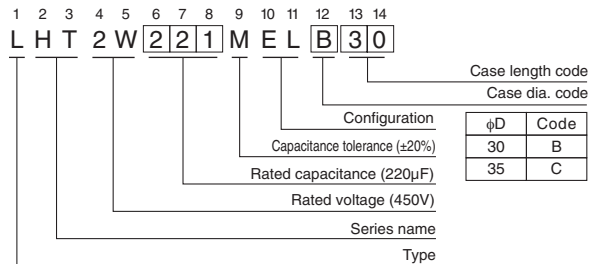
Item	Performance Characteristics	
Category Temperature Range	- 40 to +125°C	
Rated Voltage Range	450V	
Rated Capacitance Range	220 to 680μF	
Capacitance Tolerance	±20% at 120Hz, 20°C	
Leakage Current	$I \leq 3\sqrt{CV}$ (μA) (After 5 minutes' application of rated voltage at 20°C) [C : Rated Capacitance (μF) V : Voltage (V)]	
Tangent of loss angle (tan δ)	0.20max. 120Hz at 20°C	
Stability at Low Temperature	Impedance ratio $Z(-25^\circ\text{C}) / Z(+20^\circ\text{C}) \leq 8$ (120Hz)	
Endurance	The specifications listed at right shall be met when the capacitors are restored to 20°C after D.C. bias plus rated ripple current is applied for 3000 hours at 125°C, the peak voltage shall not exceed the rated voltage.	
	Capacitance change	Within ±20% of the initial capacitance value
	tan δ	200% or less than the initial specified value
Shelf Life	After storing the capacitors under no load at 125°C for 1000 hours and then performing voltage treatment based on JIS C 5101-4 clause 4.1 at 20°C, they shall meet the requirements listed at right.	
	Capacitance change	Within ±15% of the initial capacitance value
	tan δ	150% or less than the initial specified value
Leakage current	Less than or equal to the initial specified value	
	Less than or equal to the initial specified value	
Marking	Printed with white color letter on black sleeve.	

## Drawing



※ Other terminations available upon request.  
Please refer to the Guidelines for Aluminum Electrolytic Capacitors.

## Type numbering system (Example : 450V 220μF)



## Dimensions

450V (2W)				
Cap. (μF)	Size φD x L(mm)	Rated ripple (mArms)	Leakage Current (mA)	Code
220	30 x 30	1120	0.94	LHT2W221MELB30
	30 x 35	1270	1.04	LHT2W271MELB35
270	35 x 30	1340	1.04	LHT2W271MELC30
	30 x 45	1480	1.15	LHT2W331MELB45
330	35 x 35	1510	1.15	LHT2W331MELC35
	30 x 50	1640	1.25	LHT2W391MELB50
390	35 x 40	1700	1.25	LHT2W391MELC40
	30 x 55	1840	1.37	LHT2W471MELB55
470	35 x 45	1910	1.37	LHT2W471MELC45
	35 x 50	2130	1.50	LHT2W561MELC50
680	35 x 60	2430	1.65	LHT2W681MELC60

Rated ripple current (mArms) at 125°C 120Hz

## Frequency coefficient of rated ripple current

Frequency (Hz)	50	60	120	300	1 k	10k	50k or more
Coefficient	0.77	0.82	1.00	1.16	1.30	1.41	1.43

## OUR CERTIFICATE

DiGi provide top-quality products and perfect service for customer worldwide through standardization, technological innovation and continuous improvement. DiGi through third-party certification, we stricy control the quality of products and services. Welcome your RFQ to Email: [Info@DiGi-Electronics.com](mailto:Info@DiGi-Electronics.com)



Tel: +00 852-30501935

RFQ Email: [Info@DiGi-Electronics.com](mailto:Info@DiGi-Electronics.com)

DiGi is a global authorized distributor of electronic components.