

160-000-002R032 Datasheet



DiGi Electronics Part Number	160-000-002R032-DG
Manufacturer	NorComp Inc.
Manufacturer Product Number	160-000-002R032
Description	SCREWLOCK W/CLIP RET 4-40 MALE
Detailed Description	Jackscrew, Slotted For D-Sub Connectors

<https://www.DiGi-Electronics.com>

This model 160-000-002R032 is available at DiGi Electronics.

DiGi Electronics offers a global database of semiconductor and electronic component datasheets.

We welcome your inquiries regarding pricing, lead time, or other product-related questions.

 [Request a Quote](#)

 [Datasheet Search](#)



Tel: +00 852-30501935

RFQ Email: Info@DiGi-Electronics.com

DiGi is a global authorized distributor of electronic components.

Purchase and inquiry

Manufacturer Product Number:

160-000-002R032

Series:

-

Accessory Type:

Jackscrew, Slotted

Features:

Clip

Length - Below Head:

0.294" (7.47mm)

Base Product Number:

160-000

Manufacturer:

NorComp Inc.

Product Status:

Active

For Use With/Related Products:

D-Sub Connectors

Length - Threaded Portion Below Head:

0.144" (3.66mm)

Thread Size:

4-40

Environmental & Export classification

RoHS Status:

ROHS3 Compliant

REACH Status:

REACH Unaffected

HTSUS:

8538.90.8180

Moisture Sensitivity Level (MSL):

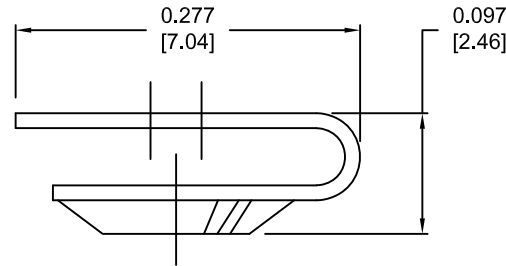
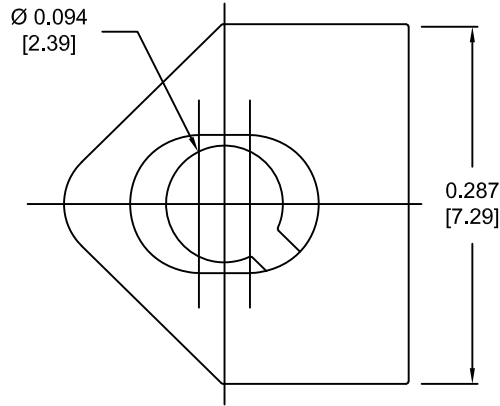
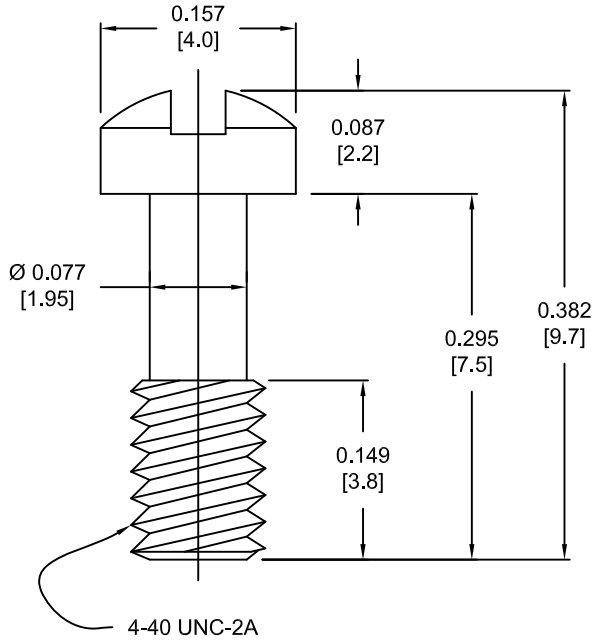
Not Applicable

ECCN:

EAR99

DESCRIPTION: 4-40 MALE SCREWLOCK/CLIP-ON

**IF CAPTIVE SCREW IS TOO LONG FOR YOUR APPLICATION PLEASE CONSIDER USING PART NUMBER: 160-000-003SCRW



PART NUMBER	SCREW PART NUMBER	CLIP PART NUMBER
KIT = 160-000-002R031	SSH4401T	RCO1T
BULK = 160-000-002R032	SSH4401T	RCO1T

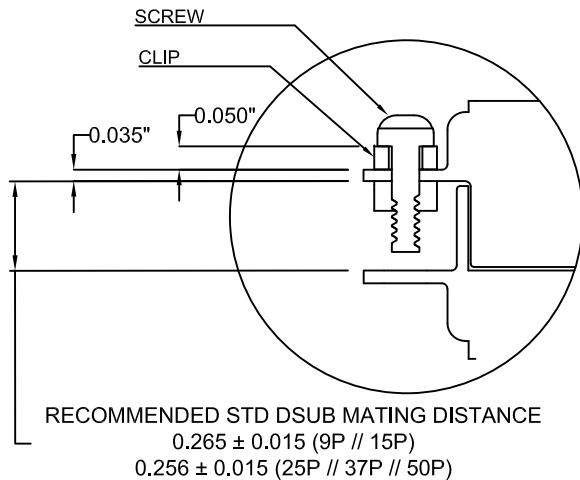
KIT INCLUDES:

(IN SEALED BAG)
2-SCREWS
2-CLIPS

MATERIAL:

SCREW: STEEL, NICKEL PLATED
CLIP: 304 STAINLESS STEEL

DIMENSIONAL REFERENCE



DO NOT SCALE FROM DRAWING



THESE DRAWINGS AND SPECIFICATIONS ARE THE PROPERTY OF NorComp AND SHALL NOT BE REPRODUCED, COPIED OR USED AS THE BASIS FOR THE MANUFACTURE OF SALE OF APPARATUS WITHOUT WRITTEN PERMISSION.

DRAWN: C. SMITH		DATE: 01-25-08	
SCALE: NTS	SHEET 1	OF 1	REV 5
DWG NO. 160-000-002R0YY			

NorComp

RoHS COMPLIANT

160-000-002R032 NorComp Inc. SCREWLOCK W/CLIP RET 4-40 MALE

OUR CERTIFICATE

DiGi provide top-quality products and perfect service for customer worldwide through standardization, technological innovation and continuous improvement. DiGi through third-party certification, we stricly control the quality of products and services. Welcome your RFQ to

Email: Info@DiGi-Electronics.com



Tel: +00 852-30501935

RFQ Email: Info@DiGi-Electronics.com

DiGi is a global authorized distributor of electronic components.