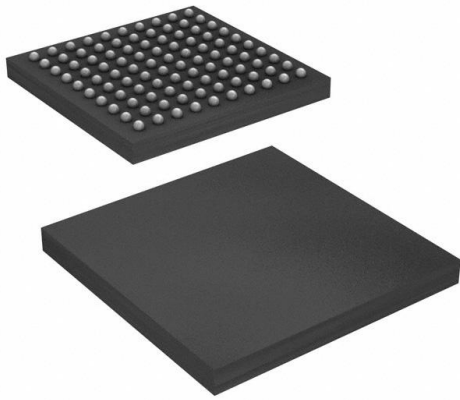


# FS32K146HRT0MMHR Datasheet

[www.digi-electronics.com](http://www.digi-electronics.com)



<https://www.DiGi-Electronics.com>

DiGi Electronics Part Number	FS32K146HRT0MMHR-DG
Manufacturer	<a href="#">NXP USA Inc.</a>
Manufacturer Product Number	FS32K146HRT0MMHR
Description	IC MCU 32BIT 1MB FLASH 100MAPBGA
Detailed Description	ARM® Cortex®-M4F S32K Microcontroller IC 32-Bit Single-Core 80MHz 1MB (1M x 8) FLASH 100-MAPBGA (11x11)

This model FS32K146HRT0MMHR is available at DiGi Electronics.

DiGi Electronics offers a global database of semiconductor and electronic component datasheets.

We welcome your inquiries regarding pricing, lead time, or other product-related questions.

 [Request a Quote](#)

 [Datasheet Search](#)



Tel: +00 852-30501935

RFQ Email: [Info@DiGi-Electronics.com](mailto:Info@DiGi-Electronics.com)

DiGi is a global authorized distributor of electronic components.

## Purchase and inquiry

Manufacturer Product Number:

FS32K146HRT0MMHR

Series:

S32K

DiGi-Electronics Programmable:

Not Verified

Core Size:

32-Bit Single-Core

Connectivity:

CANbus, FlexIO, I2C, LINbus, SPI, UART/USART

Number of I/O:

89

Program Memory Type:

FLASH

RAM Size:

128K x 8

Data Converters:

A/D 24x12b SAR; D/A1x8b

Operating Temperature:

-40°C ~ 125°C (TA)

Supplier Device Package:

100-MAPBGA (11x11)

Base Product Number:

FS32K146

Manufacturer:

NXP USA Inc.

Product Status:

Active

Core Processor:

ARM® Cortex®-M4F

Speed:

80MHz

Peripherals:

POR, PWM, WDT

Program Memory Size:

1MB (1M x 8)

EEPROM Size:

4K x 8

Voltage - Supply (Vcc/Vdd):

2.7V ~ 5.5V

Oscillator Type:

Internal

Mounting Type:

Surface Mount

Package / Case:

100-LFBGA

## Environmental & Export classification

RoHS Status:

ROHS3 Compliant

REACH Status:

REACH Unaffected

HTSUS:

8542.31.0001

Moisture Sensitivity Level (MSL):

3 (168 Hours)

ECCN:

5A992C

# S32K1XX

## S32K1xx Data Sheet

### Notes

- Supports S32K116, S32K118, S32K142, S32K142W, S32K144, S32K144W, S32K146, and S32K148
  - Technical information for S32K142W and S32K144W device families is preliminary until these devices achieve qualification
- The following two attachments are available with the Datasheet:
  - S32K1xx\_Orderable\_Part\_Number\_List.xlsx
  - S32K1xx\_Power\_Modes\_Configuration.xlsx

### Key Features

- Operating characteristics
  - Voltage range: 2.7 V to 5.5 V
  - Ambient temperature range: -40 °C to 105 °C for HSRUN mode, -40 °C to 150 °C for RUN mode
- Arm™ Cortex-M4F/M0+ core, 32-bit CPU
  - Supports up to 112 MHz frequency (HSRUN mode) with 1.25 Dhrystone MIPS per MHz
  - Arm Core based on the Armv7 Architecture and Thumb@-2 ISA
  - Integrated Digital Signal Processor (DSP)
  - Configurable Nested Vectored Interrupt Controller (NVIC)
  - Single Precision Floating Point Unit (FPU)
- Clock interfaces
  - 4 - 40 MHz fast external oscillator (SOSC) with up to 50 MHz DC external square input clock in external clock mode
  - 48 MHz Fast Internal RC oscillator (FIRC)
  - 8 MHz Slow Internal RC oscillator (SIRC)
  - 128 kHz Low Power Oscillator (LPO)
  - Up to 112 MHz (HSRUN) System Phased Lock Loop (SPLL)
  - Up to 20 MHz TCLK and 25 MHz SWD\_CLK
  - 32 kHz Real Time Counter external clock (RTC\_CLKIN)
- Power management
  - Low-power Arm Cortex-M4F/M0+ core with excellent energy efficiency
  - Power Management Controller (PMC) with multiple power modes: HSRUN, RUN, STOP, VLPR, and VLPS. Note: CSEc (Security) or EEPROM writes/erase will trigger error flags in HSRUN mode (112 MHz) because this use case is not allowed to execute simultaneously. The device will need to switch to RUN mode (80 MHz) to execute CSEc (Security) or EEPROM writes/erase.
  - Clock gating and low power operation supported on specific peripherals.
- Memory and memory interfaces
  - Up to 2 MB program flash memory with ECC
  - 64 KB FlexNVM for data flash memory with ECC and EEPROM emulation. Note: CSEc (Security) or EEPROM writes/erase will trigger error flags in HSRUN mode (112 MHz) because this use case is not allowed to execute simultaneously. The device will need to switch to RUN mode (80 MHz) to execute CSEc (Security) or EEPROM writes/erase.
  - Up to 256 KB SRAM with ECC
  - Up to 4 KB of FlexRAM for use as SRAM or EEPROM emulation
  - Up to 4 KB Code cache to minimize performance impact of memory access latencies
  - QuadSPI with HyperBus™ support
- Mixed-signal analog
  - Up to two 12-bit Analog-to-Digital Converter (ADC) with up to 32 channel analog inputs per module
  - One Analog Comparator (CMP) with internal 8-bit Digital to Analog Converter (DAC)
- Debug functionality
  - Serial Wire JTAG Debug Port (SWJ-DP) combines
  - Debug Watchpoint and Trace (DWT)
  - Instrumentation Trace Macrocell (ITM)
  - Test Port Interface Unit (TPIU)
  - Flash Patch and Breakpoint (FPB) Unit
- Human-machine interface (HMI)
  - Up to 156 GPIO pins with interrupt functionality
  - Non-Maskable Interrupt (NMI)

NXP reserves the right to change the production detail specifications as may be required to permit improvements in the design of its products.



- Communications interfaces
  - Up to three Low Power Universal Asynchronous Receiver/Transmitter (LPUART/LIN) modules with DMA support and low power availability
  - Up to three Low Power Serial Peripheral Interface (LPSPI) modules with DMA support and low power availability
  - Up to two Low Power Inter-Integrated Circuit (LPI2C) modules with DMA support and low power availability
  - Up to three FlexCAN modules (with optional CAN-FD support)
  - FlexIO module for emulation of communication protocols and peripherals (UART, I2C, SPI, I2S, LIN, PWM, etc).
  - Up to one 10/100Mbps Ethernet with IEEE1588 support and two Synchronous Audio Interface (SAI) modules.
- Safety and Security
  - Cryptographic Services Engine (CSEc) implements a comprehensive set of cryptographic functions as described in the SHE (Secure Hardware Extension) Functional Specification. Note: CSEc (Security) or EEPROM writes/erase will trigger error flags in HSRUN mode (112 MHz) because this use case is not allowed to execute simultaneously. The device will need to switch to RUN mode (80 MHz) to execute CSEc (Security) or EEPROM writes/erase.
  - 128-bit Unique Identification (ID) number
  - Error-Correcting Code (ECC) on flash and SRAM memories
  - System Memory Protection Unit (System MPU)
  - Cyclic Redundancy Check (CRC) module
  - Internal watchdog (WDOG)
  - External Watchdog monitor (EWM) module
- Timing and control
  - Up to eight independent 16-bit FlexTimers (FTM) modules, offering up to 64 standard channels (IC/OC/PWM)
  - One 16-bit Low Power Timer (LPTMR) with flexible wake up control
  - Two Programmable Delay Blocks (PDB) with flexible trigger system
  - One 32-bit Low Power Interrupt Timer (LPIT) with 4 channels
  - 32-bit Real Time Counter (RTC)
- Package
  - 32-pin QFN, 48-pin LQFP, 64-pin LQFP, 100-pin LQFP, 100-pin MAPBGA, 144-pin LQFP, 176-pin LQFP package options
- 16 channel DMA with up to 63 request sources using DMAMUX

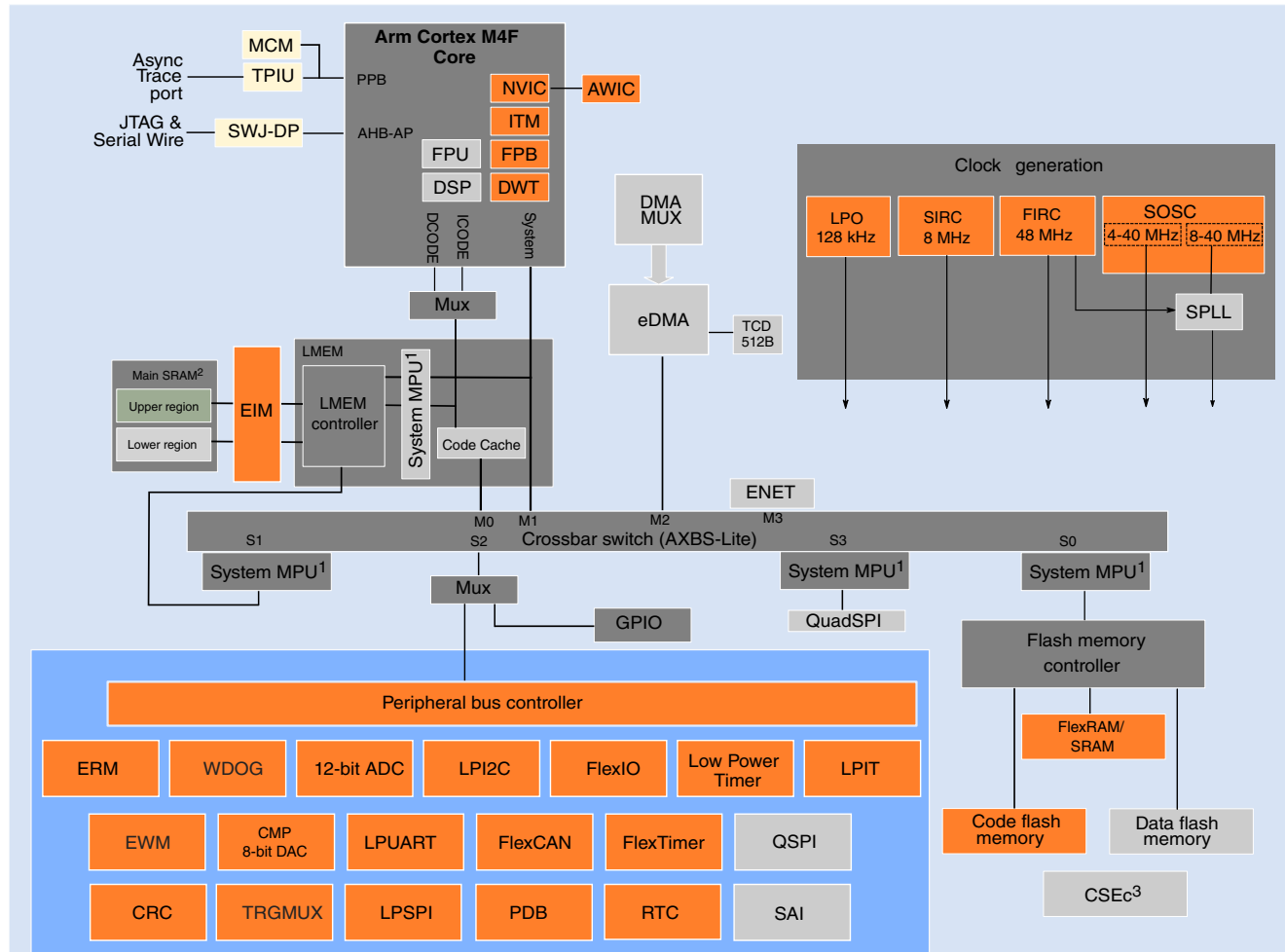
# Table of Contents

1	Block diagram.....	4	6.2.5	SPLL electrical specifications .....	42
2	Feature comparison.....	5	6.3	Memory and memory interfaces.....	42
3	Ordering information.....	8	6.3.1	Flash memory module (FTFC/FTFM) electrical specifications.....	42
3.1	Selecting orderable part number .....	8	6.3.1.1	Flash timing specifications — commands.....	42
3.2	Ordering information .....	9	6.3.1.2	Reliability specifications.....	49
4	General.....	10	6.3.2	QuadSPI AC specifications.....	49
4.1	Absolute maximum ratings.....	10	6.4	Analog modules.....	54
4.2	Voltage and current operating requirements.....	12	6.4.1	ADC electrical specifications.....	54
4.3	Thermal operating characteristics.....	13	6.4.1.1	12-bit ADC operating conditions.....	54
4.4	Power and ground pins.....	15	6.4.1.2	12-bit ADC electrical characteristics.....	57
4.5	LVR, LVD and POR operating requirements.....	17	6.4.2	CMP with 8-bit DAC electrical specifications.....	59
4.6	Power mode transition operating behaviors.....	18	6.5	Communication modules.....	65
4.7	Power consumption.....	20	6.5.1	LPUART electrical specifications.....	65
4.8	ESD and latch-up protection characteristics.....	27	6.5.2	LPSPi electrical specifications.....	65
4.9	EMC radiated emissions operating behaviors.....	27	6.5.3	LPI2C electrical specifications.....	71
5	I/O parameters.....	28	6.5.4	FlexCAN electrical specifications.....	72
5.1	AC electrical characteristics.....	28	6.5.5	SAI electrical specifications.....	72
5.2	General AC specifications.....	28	6.5.6	Ethernet AC specifications.....	74
5.3	DC electrical specifications at 3.3 V Range.....	29	6.5.7	Clockout frequency.....	77
5.4	DC electrical specifications at 5.0 V Range.....	31	6.6	Debug modules.....	77
5.5	AC electrical specifications at 3.3 V range .....	32	6.6.1	SWD electrical specifications .....	77
5.6	AC electrical specifications at 5 V range .....	34	6.6.2	Trace electrical specifications.....	79
5.7	Standard input pin capacitance.....	35	6.6.3	JTAG electrical specifications.....	80
5.8	Device clock specifications.....	35	7	Thermal attributes.....	84
6	Peripheral operating requirements and behaviors.....	36	7.1	Description.....	84
6.1	System modules.....	36	7.2	Thermal characteristics.....	84
6.2	Clock interface modules.....	36	7.3	General notes for specifications at maximum junction temperature.....	89
6.2.1	External System Oscillator electrical specifications....	36	8	Dimensions.....	90
6.2.2	External System Oscillator frequency specifications .	38	8.1	Obtaining package dimensions .....	90
6.2.3	System Clock Generation (SCG) specifications.....	40	9	Pinouts.....	91
6.2.3.1	Fast internal RC Oscillator (FIRC) electrical specifications.....	40	9.1	Package pinouts and signal descriptions.....	91
6.2.3.2	Slow internal RC oscillator (SIRC) electrical specifications .....	41	10	Revision History.....	91
6.2.4	Low Power Oscillator (LPO) electrical specifications .....	41			

Block diagram

# 1 Block diagram

Following figures show superset high level architecture block diagrams of S32K14x, S32K14xW and S32K11x series respectively. Other devices within the family have a subset of the features. See [Feature comparison](#) for chip specific values.



1: On this device, NXP's system MPU implements the safety mechanisms to prevent masters from accessing restricted memory regions. This system MPU provides memory protection at the level of the Crossbar Switch. Each Crossbar master (Core, DMA, Ethernet) can be assigned different access rights to each protected memory region. The Arm M4 core version in this family does not integrate the Arm Core MPU, which would concurrently monitor only core-initiated memory accesses. In this document, the term MPU refers to NXP's system MPU.

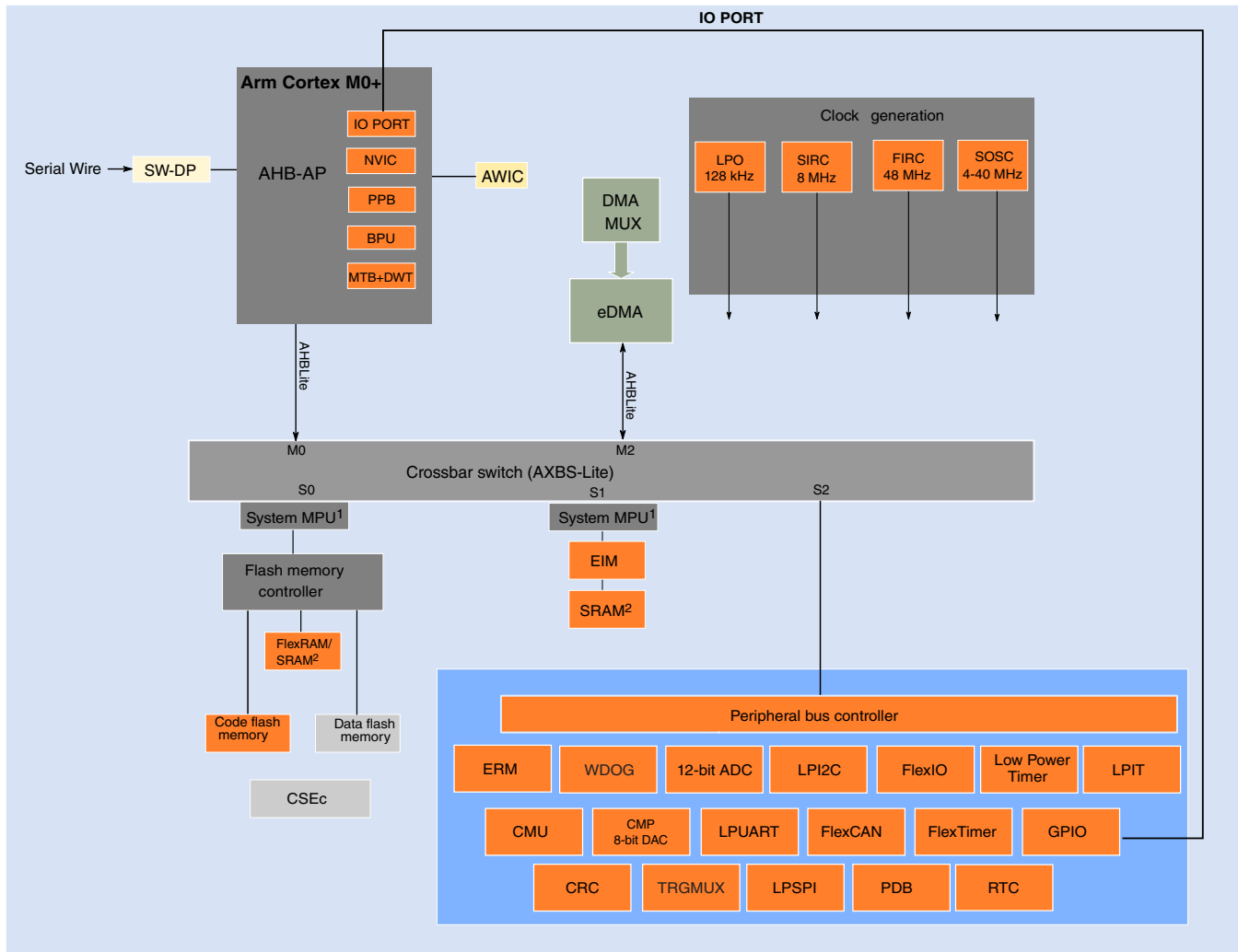
2: For the device-specific sizes, see the "On-chip SRAM sizes" table in the "Memories and Memory Interfaces" chapter of the S32K1xx Series Reference Manual.

3: CSEc (Security) or EEPROM writes/erase will trigger error flags in HSRUN mode (112 MHz) because this use case is not allowed to execute simultaneously. The device need to switch to RUN mode (80 MHz) to execute CSEc (Security) or EEPROM writes/erase.

Key:

- Device architectural IP on all S32K devices
- Peripherals present on all S32K devices
- Peripherals present on selected S32K devices (see the "Feature Comparison" section)

Figure 1. High-level architecture diagram for the S32K14x and S32K14xW family



1: On this device, NXP's system MPU implements the safety mechanisms to prevent masters from accessing restricted memory regions. This system MPU provides memory protection at the level of the Crossbar Switch. Crossbar master (Core, DMA) can be assigned different access rights to each protected memory region. The Arm M0+ core version in this family does not integrate the Arm Core MPU, which would concurrently monitor only core-initiated memory accesses. In this document, the term MPU refers to NXP's system MPU.

2: For the device-specific sizes, see the "On-chip SRAM sizes" table in the "Memories and Memory Interfaces" chapter of the S32K1xx Series Reference Manual.

Device architectural IP on all S32K devices
Peripherals present on all S32K devices
Peripherals present on selected S32K devices (see the "Feature Comparison" section)

Figure 2. High-level architecture diagram for the S32K11x family

## 2 Feature comparison

The following figure summarizes the memory, peripherals and packaging options for the S32K1xx and S32K14xW devices. All devices which share a common package are pin-to-pin compatible.

### NOTE

Availability of peripherals depends on the pin availability in a particular package. For more information see *IO Signal*

Feature comparison

*Description Input Multiplexing sheet(s) attached with Reference Manual.*

Parameter	S32K11x		S32K14x			
	K116	K118	K142	K144	K146	K148
Core	Arm® Cortex™-M0+		Arm® Cortex™-M4F			
Frequency	48 MHz		80 MHz (RUN mode) or 112 MHz (HSRUN mode) <sup>1</sup>			
IEEE-754 FPU	○		●			
Cryptographic Services Engine (CSEc) <sup>1</sup>	●		●			
CRC module	1x		1x			
ISO 26262	capable up to ASIL-B		capable up to ASIL-B			
Peripheral speed	up to 48 MHz		up to 112 MHz (HSRUN)			
Crossbar	●		●			
DMA	●		●			
External Watchdog Monitor (EWM)	○		●			
Memory Protection Unit (MPU)	●		●			
FIRC CMU	●		○			
Watchdog	1x		1x			
Low power modes	●		●			
HSRUN mode <sup>1</sup>	○		●			
Number of I/Os	up to 43	up to 58	up to 89		up to 128	up to 156
Single supply voltage	2.7 - 5.5 V		2.7 - 5.5 V			
Ambient Operation Temperature (T <sub>a</sub> )	-40°C to +105°C / +125°C		-40°C to +105°C / +125°C			
Flash	128 KB	256 KB	256 KB	512 KB	1 MB	2 MB <sup>2</sup>
Error Correcting Code (ECC)	●		●			
System RAM (including FlexRAM and MTB)	17 KB	25 KB	32 KB	64 KB	128 KB	256 KB
FlexRAM (also available as system RAM)	2 KB		4 KB			
Cache	○		4 KB			
EEPROM emulated by FlexRAM <sup>1</sup>	2 KB (up to 32 KB D-Flash)		4 KB (up to 64 KB D-Flash)			See footnote 3
External memory interface	○		○			QuadSPI incl. HyperBus™
Low Power Interrupt Timer (LPIT)	1x		1x			
FlexTimer (16-bit counter) 8 channels	2x (16)		4x (32)		6x (48)	8x (64)
Low Power Timer (LPTMR)	1x		1x			
Real Time Counter (RTC)	1x		1x			
Programmable Delay Block (PDB)	1x		2x			
Trigger mux (TRGMUX)	1x (43)	1x (45)	1x (64)		1x (73)	1x (81)
12-bit SAR ADC (1 Msps each)	1x (13)	1x (16)	2x (16)		2x (24)	2x (32)
Comparator with 8-bit DAC	1x		1x			
10/100 Mbps IEEE-1588 Ethernet MAC	○		○		1x	
Serial Audio Interface (AC97, TDM, I2S)	○		○		2x	
Low Power UART/LIN (LPUART) (Supports LIN protocol versions 1.3, 2.0, 2.1, 2.2A, and SAE J2602)	2x		2x	3x		
Low Power SPI (LPSPI)	1x	2x	2x	3x		
Low Power I2C (LPI2C)	1x		1x			2x
FlexCAN (CAN-FD ISO/CD 11898-1)	1x (1x with FD)		2x (1x with FD)	3x (1x with FD)	3x (2x with FD)	3x (3x with FD)
FlexIO (8 pins configurable as UART, SPI, I2C, I2S)	1x		1x			
Debug & trace	SWD, MTB (1 KB), JTAG <sup>4</sup>		SWD, JTAG (ITM, SWV, SWO)			SWD, JTAG (ITM, SWV, SWO), ETM
Ecosystem (IDE, compiler, debugger)	NXP S32 Design Studio (GCC) + SDK, IAR, GHS, Arm®, Lauterbach, iSystems		NXP S32 Design Studio (GCC) + SDK, IAR, GHS, Arm®, Lauterbach, iSystems			
Other	32-pin QFN 48-pin LQFP	48-pin LQFP 64-pin LQFP	48-pin LQFP 64-pin LQFP 100-pin LQFP	48-pin LQFP 64-pin LQFP 100-pin LQFP 100-pin MAPBGA	64-pin LQFP 100-pin MAPBGA 100-pin LQFP 144-pin LQFP	100-pin MAPBGA 100-pin LQFP <sup>6</sup> 144-pin LQFP 176-pin LQFP

LEGEND:

- Not implemented
  - Available on the device
- 1 No write or erase access to Flash module, including Security (CSEc) and EEPROM commands, are allowed when device is running at HSRUN mode (112MHz) or VLPR mode.
  - 2 Available when EEPROM, CSEc and Data Flash are not used. Else only up to 1,984 KB is available for Program Flash.
  - 3 4 KB (up to 512 KB D-Flash as a part of 2 MB Flash). Up to 64 KB of flash is used as EEPROM backup and the remaining 448 KB of the last 512 KB block can be used as Data flash or Program flash. See chapter FTFC for details.
  - 4 Only for Boundary Scan Register
  - 5 See Dimensions section for package drawings
  - 6 QuadSPI is not supported for S32K148 in 100-pin LQFP

Figure 3. S32K1xx product series comparison

		S32K14xW	
Parameter		S32K144W	S32K142W
System	Core	Arm® Cortex™-M4F	
	Frequency	up to 80 MHz	
	IEEE-754 FPU	•	
	Cryptographic Services Engine (CSEc)	•	
	CRC module	1x	
	ISO 26262	capable up to ASIL-B	
	Peripheral speed	up to 80 MHz	
	Crossbar	•	
	DMA	•	
	External Watchdog Monitor (EWM)	•	
	Memory Protection Unit (MPU)	•	
	FIRC CMU	○	
	Watchdog	•	
	Low power modes	•	
	HSRUN mode	○	
	Number of I/Os	43 (48-pin LQFP)	58 (64-pin LQFP)
	Single supply voltage	3.13 - 5.5 V	
	Ambient Operation Temperature (T <sub>a</sub> )	-40°C to +150°C	
	Memory	Flash	512 KB
Error Correcting Code (ECC)		•	
System RAM (including FlexRAM)		64 KB	32 KB
FlexRAM		4 KB	
Cache		4 KB	
EEPROM emulated by FlexRAM		4 KB (up to 64 KB D-Flash)	
External memory interface		○	
Timer	Low Power Interrupt Timer (LPIT)	1x	
	FlexTimer (16-bit counter) 8 channels	48-pin LQFP: 4x (26 channels)	64-pin LQFP: 4x (30 channels)
	Low Power Timer (LPTMR)	1x	
	Real Time Counter (RTC)	1x	
	Programmable Delay Block (PDB)	2x	
Analog	Trigger mux (TRGMUX)	1x (59)	
	12-bit SAR ADC (1 Msps each)	48-pin LQFP: 1x (14 channels), 1x(9 channels) 64-pin LQFP: 1x (16 channels), 1x(13 channels)	
	Comparator with 8-bit DAC	48-pin LQFP: 1x (6 channels)	64-pin LQFP: 1x (8 channels)
Communication	10/100 Mbps IEEE-1588 Ethernet MAC	○	
	Serial Audio Interface (AC97, TDM, I2S)	○	
	Low Power UART/LIN (LPUART) (Supports LIN protocol versions 1.3, 2.0, 2.1, 2.2A, and SAE J2602)	48-pin LQFP: 2x	64-pin LQFP: 3x
	Low Power SPI (LPSPi)	48-pin LQFP: 2x	64-pin LQFP: 3x
	Low Power I2C (LPI2C)	1x	
	FlexCAN (CAN-FD ISO/CD 11898-1)	48-pin LQFP: 2x(2x FD)	64-pin LQFP: 2x(2x FD)
IDEs	FlexIO (8 pins configurable as UART, SPI, I2C, I2S)	1x	
	Debug & trace	SWD, JTAG (ITM, SWV, SWO)	
Other	Ecosystem (IDE, compiler, debugger)	NXP S32 Design Studio (GCC) + SDK, IAR, GHS, Arm®, Lauterbach, iSystems	
	Packages <sup>1</sup>	48-pin LQFP	64-pin LQFP

## LEGEND:

- Not implemented
- Available on the device

1 See Dimensions section of Datasheet for package drawings

**Figure 4. S32K14xW product series comparison**

## 3 Ordering information

### 3.1 Selecting orderable part number

Not all part number combinations are available. See the attachment *S32K1xx\_Orderable\_Part\_Number\_List.xlsx* attached with the Datasheet for a list of standard orderable part numbers.

### 3.2 Ordering information



**Product status**

P: Prototype  
F: Qualified

**Product type/brand**

S32: Automotive 32-bit MCU

**Product line**

K: Arm Cortex MCUs

**Series/Family**

1: 1st product series  
2: 2nd product series

**Core platform/Performance**

1: Arm Cortex M0+  
4: Arm Cortex M4F

**Memory size**

	2	4	6	8
S32K11x			128K	256K
S32K14x/ S32K14xW	256K	512K	1M	2M

**Ordering option**

X: Speed  
L: 48 MHz with DMA (S32K11x only)  
H: 80 MHz  
U1: 112 MHz (Not valid with M temperature/125C)  
W: 80 MHz (S32K14xW only)

**Y: Optional feature**

F: CAN FD, FlexIO  
A1: CAN FD, FlexIO, Security  
E: Ethernet, Serial Audio Interface (S32K148 only)  
J1: Ethernet, Serial Audio Interface, CAN FD, FlexIO, Security (S32K148 only)  
I: ISELED, FlexIO  
L1: ISELED, CAN FD, FlexIO, Security  
G1: ISELED, Ethernet, Serial Audio Interface, CAN FD, FlexIO, Security (S32K148 only)

**Temperature**

V: -40C to 105C  
M: -40C to 125C  
W: -40 to 150C

**Package**

Pins	LQFP	QFN	BGA
32	-	FM	-
48	LF	-	-
64	LH	-	-
100	LL	-	MH
144	LQ	-	-
176	LU	-	-

**Tape and Reel**

T: Trays/Tubes  
R: Tape and Reel

**Wafer Fab and Mask revision identifier**

Tx: Wafer Fab identifier  
x0: Mask Revision identifier

- CSEc (Security) or EEPROM writes/erase will trigger error flags in HSRUN mode (112 MHz) because this use case is not allowed to execute simultaneously. The device will need to switch to RUN mode (80 MHz) to execute CSEc (Security) or EEPROM writes/erase.
- Part numbers no longer offered as standard include:

**Ordering Option X**

M: 64MHz  
B: 48 MHz without DMA (S32K11x only)

**Ordering Option Y**

N: limited RAM. 16KB for K142, 48KB for K144, 96KB for K146, 192KB for K148  
R: Basic feature set  
S: Security  
B: CAN FD, FlexIO, limited RAM (S32K14x only)  
C: CAN FD, FlexIO, Security, limited RAM (S32K14x only)  
V: NFC Stack License  
X1: CAN FD, FlexIO, Security with NFC Stack License

**Temperature C:** -40C to 85

**NOTE**

Not all part number combinations are available. See S32K1xx\_Orderable\_Part\_Number\_List.xlsx attached with the Datasheet for list of standard orderable parts.

**Figure 5. Ordering information**  
S32K1xx Data Sheet, Rev. 14, 08/2021

## 4 General

### 4.1 Absolute maximum ratings

#### NOTE

- Functional operating conditions appear in the DC electrical characteristics. Absolute maximum ratings are stress ratings only, and functional operation at the maximum values is not guaranteed. See footnotes in the following table for specific conditions.
- Stress beyond the listed maximum values may affect device reliability or cause permanent damage to the device.
- All the limits defined in the datasheet specification must be honored together and any violation to any one or more will not guarantee desired operation.
- Unless otherwise specified, all maximum and minimum values in the datasheet are across process, voltage, and temperature.

**Table 1. Absolute maximum ratings for S32K1xx series**

Symbol	Parameter	Conditions <sup>1</sup>	Min	Max	Unit
$V_{DD}$ <sup>2</sup>	2.7 V - 5.5V input supply voltage	—	-0.3	5.8 <sup>3</sup>	V
$V_{REFH}$	3.3 V / 5.0 V ADC high reference voltage	—	-0.3	5.8 <sup>3</sup>	V
$I_{INJPAD\_DC\_ABS}$ <sup>4</sup>	Continuous DC input current (positive / negative) that can be injected into an I/O pin	—	-3	+3	mA
$V_{IN\_DC}$	Continuous DC Voltage on any I/O pin with respect to $V_{SS}$	—	-0.8	5.8 <sup>5</sup>	V
$I_{INJSUM\_DC\_ABS}$	Sum of absolute value of injected currents on all the pins (Continuous DC limit)	—	—	30	mA
$T_{ramp}$ <sup>6</sup>	ECU supply ramp rate	—	0.5 V/min	500 V/ms	—
$T_{ramp\_MCU}$ <sup>7</sup>	MCU supply ramp rate	—	0.5 V/min	100 V/ms	—
$T_A$ <sup>8</sup>	Ambient temperature	—	-40	125	°C
$T_{STG}$	Storage temperature	—	-55	165	°C
$V_{IN\_TRANSIENT}$	Transient overshoot voltage allowed on I/O pin beyond $V_{IN\_DC}$ limit	—	—	6.8 <sup>9</sup>	V

1. All voltages are referred to  $V_{SS}$  unless otherwise specified.
2. As  $V_{DD}$  varies between the minimum value and the absolute maximum value the analog characteristics of the I/O and the ADC will both change. See section [I/O parameters](#) and [ADC electrical specifications](#) respectively for details.
3. 60 seconds lifetime – No restrictions i.e. the part is not held in reset and can switch.  
10 hours lifetime – The part is held in reset by an external circuit i.e. the part cannot switch.

The supply should be kept in operating conditions and once out of operating conditions, the device should be either reset or powered off.

Operation with supply between 5.5 V and 5.8 V not in reset condition is allowed for 60 seconds cumulative over lifetime, the part will operate with reduced functionality.

Operation with supply between 5.5 V and 5.8 V but held in reset condition by external circuit is allowed for 10 hours cumulative over lifetime.

If the given time limits or supply levels are exceeded, the device may get damaged.

4. When input pad voltage levels are close to  $V_{DD}$  or  $V_{SS}$ , practically no current injection is possible.
5. While respecting the maximum current injection limit
6. This is the Electronic Control Unit (ECU) supply ramp rate and not directly the MCU ramp rate. Limit applies to both maximum absolute maximum ramp rate and typical operating conditions.
7. This is the MCU supply ramp rate and the ramp rate assumes that the S32K1xx HW design guidelines in AN5426 are followed. Limit applies to both maximum absolute maximum ramp rate and typical operating conditions.
8.  $T_J$  (Junction temperature)=135 °C. Assumes  $T_A$ =125 °C for RUN mode

$T_J$  (Junction temperature)=125 °C. Assumes  $T_A$ =105 °C for HSRUN mode

- Assumes maximum  $\theta_{JA}$  for 2s2p board. See [Thermal characteristics](#)

9. 60 seconds lifetime; device in reset (no outputs enabled/toggling)

**Table 2. Absolute maximum ratings for S32K14xW series**

Symbol	Parameter	Conditions <sup>1</sup>	Min	Max	Unit
$V_{DD}$ <sup>2</sup>	2.7 V - 5V input supply voltage	—	-0.3	5.8 <sup>3</sup>	V
$V_{REFH}$	3.3 V / 5.0 V ADC high reference voltage	—	-0.3	5.8 <sup>3</sup>	V
$I_{INJPAD\_DC\_ABS}$ <sup>4</sup>	Continuous DC input current (positive / negative) that can be injected into an I/O pin	—	-3	+3	mA
$V_{IN\_DC}$	Continuous DC Voltage on any I/O pin with respect to $V_{SS}$	—	-0.8	5.8 <sup>5</sup>	V
$I_{INJSUM\_DC\_ABS}$	Sum of absolute value of injected currents on all the pins (Continuous DC limit)	—	—	30	mA
$T_{ramp}$ <sup>6</sup>	ECU supply ramp rate	—	0.5 V/min	500 V/ms	—
$T_{ramp\_MCU}$ <sup>7</sup>	MCU supply ramp rate	—	0.5 V/min	100 V/ms	—
$T_A$ <sup>8</sup>	Ambient temperature	—	-40	150	°C
$T_{STG}$	Storage temperature	—	-55	165	°C
$V_{IN\_TRANSIENT}$	Transient overshoot voltage allowed on I/O pin beyond $V_{IN\_DC}$ limit	—	—	6.8 <sup>9</sup>	V

1. All voltages are referred to  $V_{SS}$  unless otherwise specified.
2. As  $V_{DD}$  varies between the minimum value and the absolute maximum value the analog characteristics of the I/O and the ADC will both change. See section [I/O parameters](#) and [ADC electrical specifications](#) respectively for details.
3. 60 seconds lifetime – No restrictions i.e. the part is not held in reset and can switch.

10 hours lifetime – The part is held in reset by an external circuit i.e. the part cannot switch.

The supply should be kept in operating conditions and once out of operating conditions, the device should be either reset or powered off.

Operation with supply between 5.5 V and 5.8 V not in reset condition is allowed for 60 seconds cumulative over lifetime, the part will operate with reduced functionality.

Operation with supply between 5.5 V and 5.8 V but held in reset condition by external circuit is allowed for 10 hours cumulative over lifetime.

If the given time limits or supply levels are exceeded, the device may get damaged.

4. When input pad voltage levels are close to  $V_{DD}$  or  $V_{SS}$ , practically no current injection is possible.
5. While respecting the maximum current injection limit

**General**

6. This is the Electronic Control Unit (ECU) supply ramp rate and not directly the MCU ramp rate. Limit applies to both maximum absolute maximum ramp rate and typical operating conditions.
7. This is the MCU supply ramp rate and the ramp rate assumes that the S32K1xx HW design guidelines in AN5426 are followed. Limit applies to both maximum absolute maximum ramp rate and typical operating conditions.
8.  $T_J$  (Junction temperature)=170 °C. Assumes  $T_A$ =150 °C for RUN mode
  - $T_J$  is the absolute maximum rating temperature at which the product will not be damaged, guaranteed by intrinsic reliability.
  - Assumes maximum  $\theta_{JA}$  for 2s2p board. See [Thermal characteristics](#)
9. 60 seconds lifetime; device in reset (no outputs enabled/toggling)

## 4.2 Voltage and current operating requirements

### NOTE

Device functionality is guaranteed up to the LVR assert level, however electrical performance of 12-bit ADC, CMP with 8-bit DAC, IO electrical characteristics, and communication modules electrical characteristics would be degraded when voltage drops below 2.7 V

**Table 3. Voltage and current operating requirements for S32K1xx series 1**

Symbol	Description	Min.	Max.	Unit	Notes
$V_{DD}^2$	Supply voltage	2.7 <sup>3</sup>	5.5	V	4
$V_{DD\_OFF}$	Voltage allowed to be developed on $V_{DD}$ pin when it is not powered from any external power supply source.	0	0.1	V	
$V_{DDA}$	Analog supply voltage	2.7	5.5	V	4
$V_{DD} - V_{DDA}$	$V_{DD}$ -to- $V_{DDA}$ differential voltage	-0.1	0.1	V	4
$V_{REFH}$	ADC reference voltage high	2.7	$V_{DDA} + 0.1$	V	5
$V_{REFL}$	ADC reference voltage low	-0.1	0.1	V	
$V_{ODPU}$	Open drain pullup voltage level	$V_{DD}$	$V_{DD}$	V	6
$I_{INJPAD\_DC\_OP}^7$	Continuous DC input current (positive / negative) that can be injected into an I/O pin	-3	+3	mA	
$I_{INJSUM\_DC\_OP}$	Continuous total DC input current that can be injected across all I/O pins such that there's no degradation in accuracy of analog modules: ADC and ACMP (See section <a href="#">Analog Modules</a> )	—	30	mA	

1. Typical conditions assumes  $V_{DD} = V_{DDA} = V_{REFH} = 5$  V, temperature = 25 °C and typical silicon process unless otherwise stated.
2. As  $V_{DD}$  varies between the minimum value and the absolute maximum value the analog characteristics of the I/O and the ADC will both change. See section [I/O parameters](#) and [ADC electrical specifications](#) respectively for details.
3. S32K148 will operate from 2.7 V when executing from internal FIRC. When the PLL is engaged S32K148 is guaranteed to operate from 2.97 V. All other S32K family devices operate from 2.7 V in all modes.
4.  $V_{DD}$  and  $V_{DDA}$  must be shorted to a common source on PCB. The differential voltage between  $V_{DD}$  and  $V_{DDA}$  is for RF-AC only. Appropriate decoupling capacitors to be used to filter noise on the supplies. See application note [AN5032](#) for reference supply design for SAR ADC.
5.  $V_{REFH}$  should always be equal to or less than  $V_{DDA} + 0.1$  V and  $V_{DD} + 0.1$  V

6. Open drain outputs must be pulled to  $V_{DD}$ .
7. When input pad voltage levels are close to  $V_{DD}$  or  $V_{SS}$ , practically no current injection is possible.

**Table 4. Voltage and current operating requirements for S32K14xW series 1**

Symbol	Description	Min.	Max.	Unit	Notes
$V_{DD}^2$	Supply voltage	3.13	5.5	V	3
$V_{DD\_OFF}$	Voltage allowed to be developed on $V_{DD}$ pin when it is not powered from any external power supply source.	0	0.1	V	
$V_{DDA}$	Analog supply voltage	3.13	5.5	V	3
$V_{DD} - V_{DDA}$	$V_{DD}$ -to- $V_{DDA}$ differential voltage	-0.1	0.1	V	3
$V_{REFH}$	ADC reference voltage high	3.13	$V_{DDA} + 0.1$	V	4
$V_{REFL}$	ADC reference voltage low	-0.1	0.1	V	
$V_{ODPU}$	Open drain pullup voltage level	$V_{DD}$	$V_{DD}$	V	5
$I_{INJPAD\_DC\_OP}^6$	Continuous DC input current (positive / negative) that can be injected into an I/O pin	-3	+3	mA	
$I_{INJSUM\_DC\_OP}$	Continuous total DC input current that can be injected across all I/O pins such that there's no degradation in accuracy of analog modules: ADC and ACMP (See section <a href="#">Analog Modules</a> )	—	30	mA	

1. Typical conditions assumes  $V_{DD} = V_{DDA} = V_{REFH} = 5$  V, temperature = 25 °C and typical silicon process unless otherwise stated.
2. As  $V_{DD}$  varies between the minimum value and the absolute maximum value the analog characteristics of the I/O and the ADC will both change. See section [I/O parameters](#) and [ADC electrical specifications](#) respectively for details.
3.  $V_{DD}$  and  $V_{DDA}$  must be shorted to a common source on PCB. The differential voltage between  $V_{DD}$  and  $V_{DDA}$  is for RF-AC only. Appropriate decoupling capacitors to be used to filter noise on the supplies. See application note [AN5032](#) for reference supply design for SAR ADC.
4.  $V_{REFH}$  should always be equal to or less than  $V_{DDA} + 0.1$  V and  $V_{DD} + 0.1$  V
5. Open drain outputs must be pulled to  $V_{DD}$ .
6. When input pad voltage levels are close to  $V_{DD}$  or  $V_{SS}$ , practically no current injection is possible.

## 4.3 Thermal operating characteristics

**Table 5. Thermal operating characteristics for S32K1xx series**

Symbol	Parameter	Value			Unit
		Min.	Typ.	Max.	
$T_A$ C-Grade Part	Ambient temperature under bias	-40	—	85 <sup>1</sup>	°C
$T_J$ C-Grade Part	Junction temperature under bias	-40	—	105 <sup>1</sup>	°C
$T_A$ V-Grade Part	Ambient temperature under bias	-40	—	105 <sup>1</sup>	°C
$T_J$ V-Grade Part	Junction temperature under bias	-40	—	125 <sup>1</sup>	°C
$T_A$ M-Grade Part	Ambient temperature under bias	-40	—	125 <sup>2</sup>	°C
$T_J$ M-Grade Part	Junction temperature under bias	-40	—	135 <sup>2</sup>	°C

1. Values mentioned are measured at  $\leq 112$  MHz in HSRUN mode.
2. Values mentioned are measured at  $\leq 80$  MHz in RUN mode.

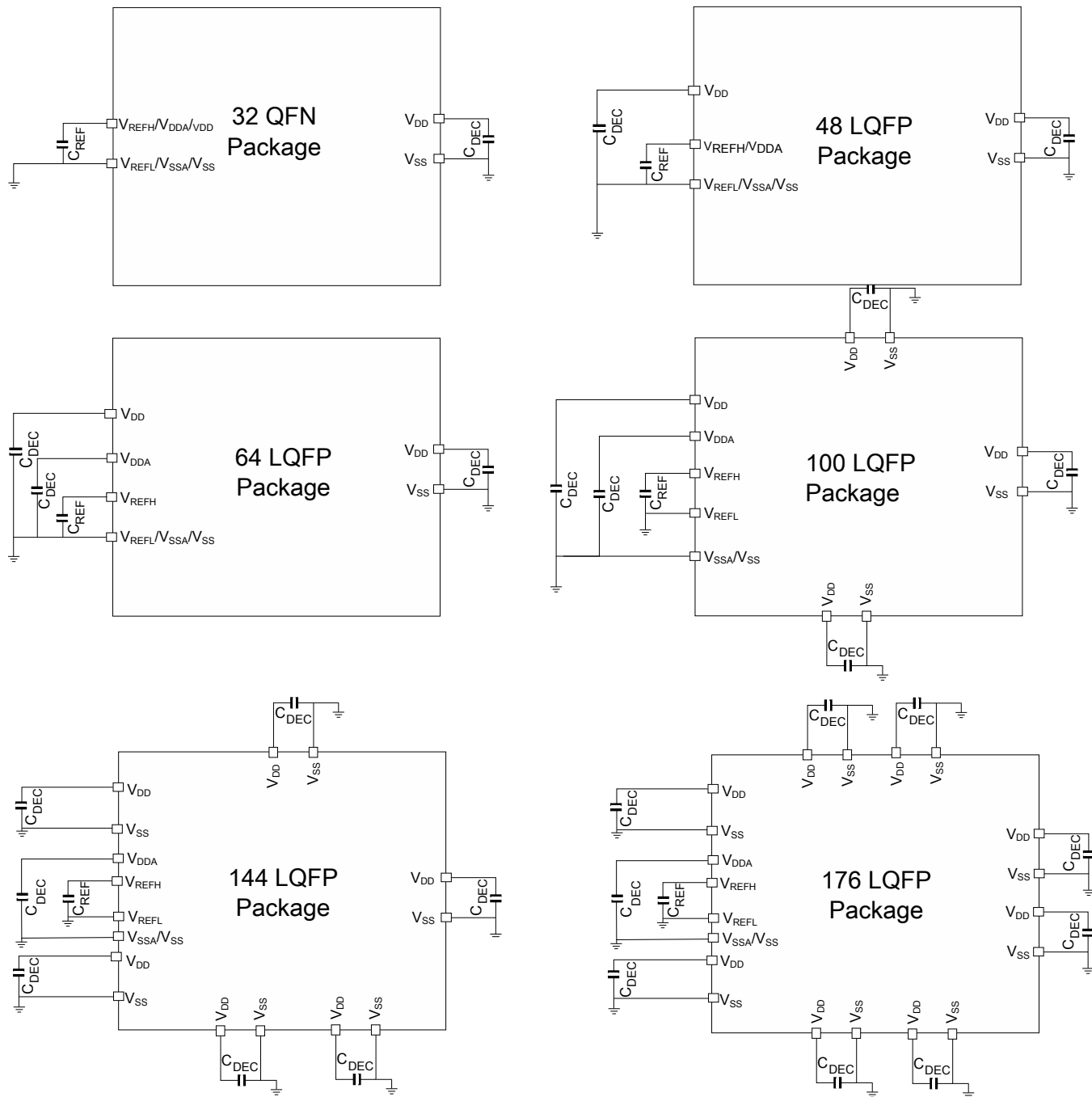
## General

**Table 6. Thermal operating characteristics for S32K14xW series**

Symbol	Parameter	Value			Unit
		Min.	Typ.	Max.	
$T_{A}$ C-Grade Part	Ambient temperature under bias	-40	—	85	°C
$T_{J}$ C-Grade Part	Junction temperature under bias	-40	—	105	°C
$T_{A}$ V-Grade Part	Ambient temperature under bias	-40	—	105	°C
$T_{J}$ V-Grade Part	Junction temperature under bias	-40	—	125	°C
$T_{A}$ M-Grade Part	Ambient temperature under bias	-40	—	125 <sup>1</sup>	°C
$T_{J}$ M-Grade Part	Junction temperature under bias	-40	—	135 <sup>1</sup>	°C
$T_{A}$ W-Grade Part	Ambient temperature under bias	-40	—	150 <sup>1</sup>	°C
$T_{J}$ W-Grade Part	Junction temperature under bias	-40	—	170 <sup>1</sup>	°C

1. Values mentioned are measured at  $\leq 80$  MHz in RUN mode.

### 4.4 Power and ground pins



NOTE: V<sub>DD</sub> and V<sub>DDA</sub> must be shorted to a common source on PCB

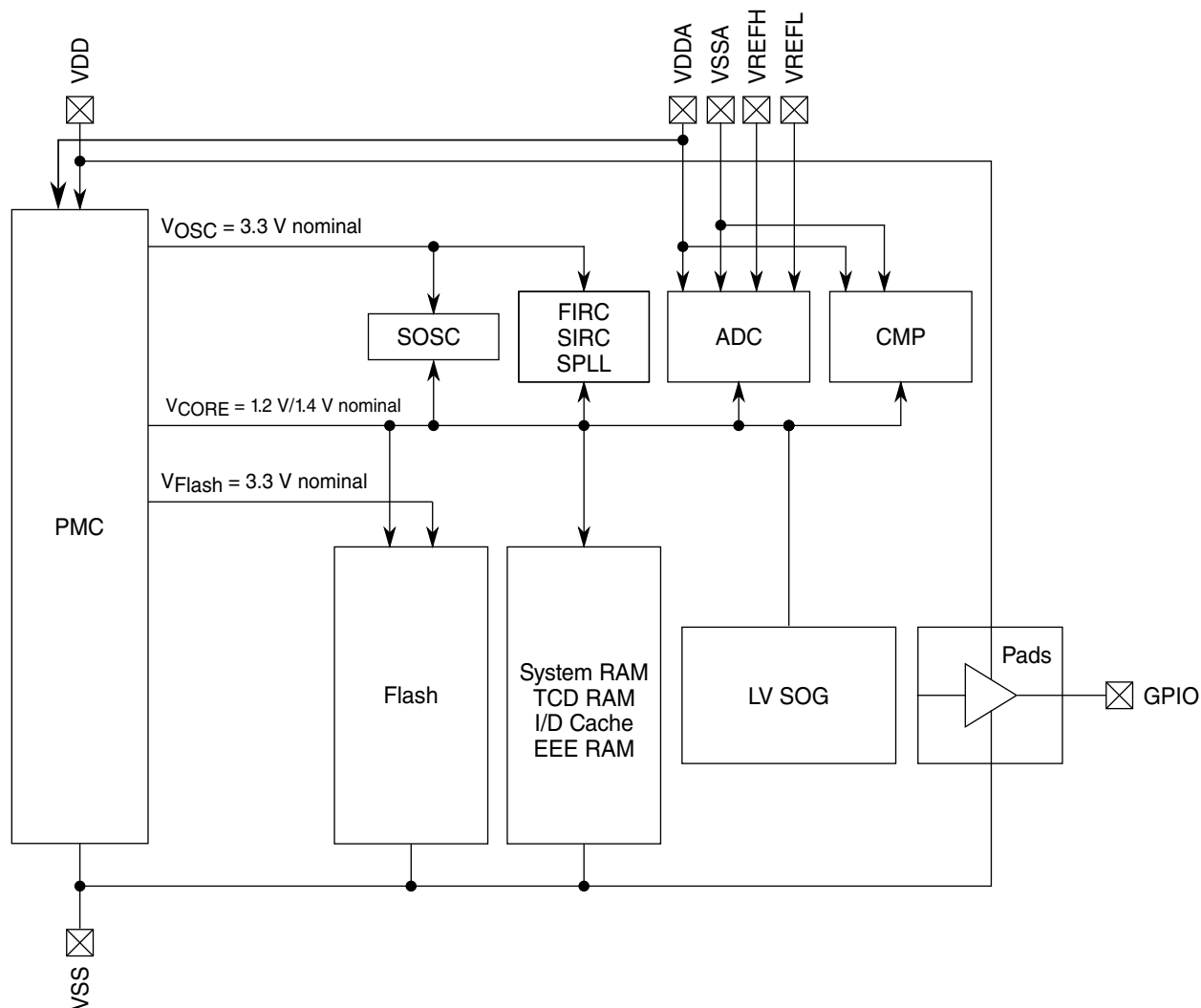
**Figure 6. Pinout decoupling**

## General

**Table 7. Supplies decoupling capacitors 1, 2**

Symbol	Description	Min. <sup>3</sup>	Typ.	Max.	Unit
$C_{REF}$ <sup>4, 5</sup>	ADC reference high decoupling capacitance	70	100	—	nF
$C_{DEC}$ <sup>5, 6, 7</sup>	Recommended decoupling capacitance	70	100	—	nF

- $V_{DD}$  and  $V_{DDA}$  must be shorted to a common source on PCB. The differential voltage between  $V_{DD}$  and  $V_{DDA}$  is for RF-AC only. Appropriate decoupling capacitors to be used to filter noise on the supplies. See application note AN5032 for reference supply design for SAR ADC. All  $V_{SS}$  pins should be connected to common ground at the PCB level.
- All decoupling capacitors must be low ESR ceramic capacitors (for example X7R type).
- Minimum recommendation is after considering component aging and tolerance.
- For improved performance, it is recommended to use 10  $\mu$ F, 0.1  $\mu$ F and 1 nF capacitors in parallel.
- All decoupling capacitors should be placed as close as possible to the corresponding supply and ground pins.
- Contact your local Field Applications Engineer for details on best analog routing practices.
- The filtering used for decoupling the device supplies must comply with the following best practices rules:
  - The protection/decoupling capacitors must be on the path of the trace connected to that component.
  - No trace exceeding 1 mm from the protection to the trace or to the ground.
  - The protection/decoupling capacitors must be as close as possible to the input pin of the device (maximum 2 mm).
  - The ground of the protection is connected as short as possible to the ground plane under the integrated circuit.



\*Note: VSSA and VSS are shorted at package level

Figure 7. Power diagram

### 4.5 LVR, LVD and POR operating requirements

Table 8. V<sub>DD</sub> supply LVR, LVD and POR operating requirements for S32K1xx series1

Symbol	Description	Min.	Typ.	Max.	Unit	Notes
V <sub>POR</sub>	Rising and falling V <sub>DD</sub> POR detect voltage	1.1	1.6	2.0	V	
V <sub>LVR</sub>	LVR falling threshold (RUN, HSRUN, and STOP modes)	2.50	2.58	2.7	V	
V <sub>LVR_HYST</sub>	LVR hysteresis	—	45	—	mV	2
V <sub>LVR_LP</sub>	LVR falling threshold (VLPS/VLPR modes)	1.97	2.22	2.44	V	
V <sub>LVD</sub>	Falling low-voltage detect threshold	2.8	2.875	3	V	
V <sub>LVD_HYST</sub>	LVD hysteresis	—	50	—	mV	2

Table continues on the next page...

## General

**Table 8. V<sub>DD</sub> supply LVR, LVD and POR operating requirements for S32K1xx series<sup>1</sup> (continued)**

Symbol	Description	Min.	Typ.	Max.	Unit	Notes
V <sub>LVW</sub>	Falling low-voltage warning threshold	4.19	4.305	4.5	V	
V <sub>LVW_HYST</sub>	LVW hysteresis	—	75	—	mV	2
V <sub>BG</sub>	Bandgap voltage reference	0.97	1.00	1.03	V	

1. In 3.3 V range, the VLVW is always set since supply remains below VLVW range. Hence PMC.LVDSC2[LVWIE] should remain cleared while device operates in 3.3 V range.
2. Rising threshold is the sum of falling threshold and hysteresis voltage.

**Table 9. V<sub>DD</sub> supply LVR and POR operating requirements for S32K14xW series<sup>1</sup>**

Symbol	Description	Min.	Typ.	Max.	Unit	Notes
V <sub>POR</sub>	Rising and falling V <sub>DD</sub> POR detect voltage	1.1	1.6	2.0	V	
V <sub>LVR</sub>	LVR falling threshold (RUN and STOP modes)	2.95	3.02	3.07	V	
V <sub>LVR_HYST</sub>	LVR hysteresis	—	45	—	mV	2
V <sub>LVR_LP</sub> <sup>3</sup>	LVR falling threshold (VLPS/VLPR modes)	1.97	2.22	2.44	V	
V <sub>LVW</sub>	Falling low-voltage warning threshold	4.17	4.305	4.5	V	
V <sub>LVW_HYST</sub>	LVW hysteresis	—	75	—	mV	2
V <sub>BG</sub>	Bandgap voltage reference	0.97	1.00	1.03	V	

1. In 3.3 V range, the VLVW is always set since supply remains below VLVW range. Hence PMC.LVDSC2[LVWIE] should remain cleared while device operates in 3.3 V range.
2. Rising threshold is the sum of falling threshold and hysteresis voltage.
3. An internal monitor could reset the chip at a higher supply level, but 3.13 V onward the chip is fully functional.

## 4.6 Power mode transition operating behaviors

All specifications in the following table assume this clock configuration:

**Table 10. Clock configuration**

	S32K1xx	S32K14xW
RUN mode		
Clock source	FIRC	FIRC
SYS_CLK/CORE_CLK	48 MHz	48 MHz
BUS_CLK	48 MHz	48 MHz
FLASH_CLK	24 MHz	16 MHz
HRUN mode		
Clock source	SPLL	NA
SYS_CLK/CORE_CLK	112 MHz	NA
BUS_CLK	56 MHz	NA

Table continues on the next page...

**Table 10. Clock configuration (continued)**

	S32K1xx	S32K14xW
FLASH_CLK	28 MHz	NA
VLPR mode		
Clock source	SIRC	SIRC
SYS_CLK/CORE_CLK	4 MHz	1 MHz
BUS_CLK	4 MHz	1 MHz
FLASH_CLK	1 MHz	0.25
STOP1/STOP2 mode		
Clock source	FIRC	FIRC
SYS_CLK/CORE_CLK	48 MHz	48 MHz
BUS_CLK	48 MHz	48 MHz
FLASH_CLK	24 MHz	16 MHz
VLPS mode		
	All clock source disabled <sup>1</sup>	

- 1.
- For S32K11x – FIRC/SOSC
  - For S32K14x, S32K14xW – FIRC/SOSC/SPLL

**Table 11. Power mode transition operating behaviors for S32K1xx series**

Symbol	Description	Min.	Typ.	Max.	Unit
t <sub>POR</sub>	After a POR event, amount of time from the point V <sub>DD</sub> reaches 2.7 V to execution of the first instruction across the operating temperature range of the chip.	—	325	—	μs
	VLPS → RUN	8	—	17	μs
	STOP1 → RUN	0.07	0.075	0.08	μs
	STOP2 → RUN	0.07	0.075	0.08	μs
	VLPR → RUN	19	—	26	μs
	VLPR → VLPS	5.1	5.7	6.5	μs
	VLPS → VLPR	18.8	23	27.75	μs
	RUN → Compute operation	0.72	0.75	0.77	μs
	HSRUN → Compute operation	0.3	0.31	0.35	μs
	RUN → STOP1	0.35	0.38	0.4	μs
	RUN → STOP2	0.2	0.23	0.25	μs
	RUN → VLPS	0.3	0.35	0.4	μs
	RUN → VLPR	3.5	3.8	5	μs
	VLPS → Asynchronous DMA Wakeup	105	110	125	μs
	STOP1 → Asynchronous DMA Wakeup	1	1.1	1.3	μs
	STOP2 → Asynchronous DMA Wakeup	1	1.1	1.3	μs
	Pin reset → Code execution	—	214	—	μs

**NOTE**

HSRUN should only be used when frequencies in excess of 80 MHz are required. When using 80 MHz and below, RUN mode is the recommended operating mode.

**Table 12. Power mode transition operating behaviors for S32K14xW series**

Symbol	Description	Min.	Typ.	Max.	Unit
$t_{POR}$	After a POR event, amount of time from the point $V_{DD}$ reaches 3.13 V to execution of the first instruction across the operating temperature range of the chip.	—	375	—	$\mu s$
	VLPS → RUN	8	—	17	$\mu s$
	STOP1 → RUN	0.07	0.075	0.08	$\mu s$
	STOP2 → RUN	0.07	0.075	0.08	$\mu s$
	VLPR → RUN	152	—	208	$\mu s$
	VLPR → VLPS	25	34	39	$\mu s$
	VLPS → VLPR	18.8	23	27.75	$\mu s$
	RUN → Compute operation	0.72	0.75	0.77	$\mu s$
	RUN → STOP1	0.35	0.38	0.4	$\mu s$
	RUN → STOP2	0.2	0.23	0.25	$\mu s$
	RUN → VLPS	0.3	0.35	0.4	$\mu s$
	RUN → VLPR	7	7.6	10	$\mu s$
	VLPS → Asynchronous DMA Wakeup	105	110	125	$\mu s$
	STOP1 → Asynchronous DMA Wakeup	1	1.1	1.3	$\mu s$
	STOP2 → Asynchronous DMA Wakeup	1	1.1	1.3	$\mu s$
	Pin reset → Code execution	—	255	—	$\mu s$

**4.7 Power consumption**

The following table shows the power consumption targets for the device in various mode of operations. Attached *S32K1xx\_Power\_Modes\_Configuration.xlsx* details the modes used in gathering the power consumption data stated in the following table [Table 13](#). For full functionality refer to table: Module operation in available power modes of the *Reference Manual*.

**Table 13. Power consumption (Typicals unless stated otherwise) 1**

Chip/Device	Ambient Temperature (°C)		VLPS (µA) <sup>2</sup>		VLPR (mA)			STOP1 (mA)	STOP2 (mA)	RUN@48 MHz (mA)		RUN@64 MHz (mA)		RUN@80 MHz (mA)		HSRUN@112 MHz (mA) <sup>3</sup>		IDD/MHz (µA/MHz) <sup>4</sup>
			Peripherals disabled <sup>5</sup>	LPTMR enabled	Peripherals disabled <sup>6</sup>	Peripherals enabled use case 1 <sup>6</sup>	Peripherals enabled use case 2 <sup>7</sup>			Peripherals disabled	Peripherals enabled	Peripherals disabled	Peripherals enabled	Peripherals disabled	Peripherals enabled	Peripherals disabled	Peripherals enabled	
S32K116	25	Typ	26	40	1.05	1.07	1.70	6.3	7.2	11.8	20.3	NA						245
	85	Typ	76	93	1.1	1.11	1.77	6.6	7.5	12	20.6	NA						251
		Max	287	300	1.39	1.4	NA	8	8.9	13.4	22.1	NA						279
	105	Typ	139	164	1.15	1.16	1.81	6.8	7.7	12.3	20.8	NA						255
		Max	590	603	1.68	1.69	NA	9.2	10.1	14.5	23.1	NA						302
	125	Typ	NA	NA	NA	NA	1.96	NA	NA	NA	NA	NA	NA					
Max		891	904	2.02	2.04	NA	10.4	11.3	15.6	24.1	NA						325	
S32K118	25	Typ	27	40	1.15	1.16	1.76	6.4	7.3	12.8	21.5	NA						268
	85	Typ	81	100	1.20	1.21	1.82	6.7	7.6	13.2	21.8	NA						274
		Max	304	323	1.46	1.47	NA	8	9	14.5	23.4	NA						301
	105	Typ	149	175	1.27	1.28	1.89	6.9	7.9	13.4	22.1	NA						279
		Max	606	637	1.76	1.77	NA	9.3	10.4	15.4	24.2	NA						320
	125	Typ	NA	NA	NA	NA	2.03	NA	NA	NA	NA	NA	NA					
Max		1111	1126	2.32	2.33	NA	11.0	11.9	17.1	25.9	NA						357	
S32K142	25	Typ	29	40	1.17	1.21	2.19	6.4	7.4	17.3	24.6	24.5	31.3	28.8	37.5	40.5	52.2	360
	85	Typ	128	137	1.48	1.51	2.31	7	8	17.6	24.9	25	31.6	29.1	37.7	41.1	52.5	364
		Max	335	360	1.87	1.89	NA	8.6	9.4	22	28.2	26.9	33.5	32	40	44	55.6	400

Table continues on the next page...

**Table 13. Power consumption (Typicals unless stated otherwise) 1 (continued)**

Chip/Device	Ambient Temperature (°C)		VLPS (µA) <sup>2</sup>		VLPR (mA)			STOP1 (mA)	STOP2 (mA)	RUN@48 MHz (mA)		RUN@64 MHz (mA)		RUN@80 MHz (mA)		HSRUN@112 MHz (mA) <sup>3</sup>		IDD/MHz (µA/MHz) <sup>4</sup>
			Peripherals disabled <sup>5</sup>	LPTMR enabled	Peripherals disabled <sup>6</sup>	Peripherals enabled use case 1 <sup>6</sup>	Peripherals enabled use case 2 <sup>7</sup>			Peripherals disabled	Peripherals enabled	Peripherals disabled	Peripherals enabled	Peripherals disabled	Peripherals enabled	Peripherals disabled	Peripherals enabled	
	105	Typ	240	257	1.58	1.61	2.44	7.6	8.3	18.3	25.7	25.5	31.9	29.8	38	41.5	53.1	373
		Max	740	791	2.32	2.34	NA	9.9	10.9	23.1	30.2	27.8	35.3	33.8	40.7	44.9	57.4	423
	125	Typ	NA	NA	NA	NA	2.84	NA	NA	NA	NA	NA	NA	NA	NA	NA		NA
		Max	1637	1694	3.1	3.21	NA	12.7	13.7	25	32.9	30.7	38.8	36	43.8	NA		450
<b>S32K144</b>	25	Typ	29.8	42	1.48	1.50	2.91	7	7.7	19.7	26.9	25.1	33.3	30.2	39.6	43.3	55.6	378
		Max	359	384	2.60	2.65	NA	9.2	9.9	23.2	29.6	29.3	36.2	34.8	42.1	46.3	59.7	435
	105	Typ	256	273	1.80	2.10	3.23	7.8	8.5	20.6	27.4	26.6	33.8	31.2	40.5	44.8	57.1	390
		Max	850	900	2.65	2.70	NA	10.3	11.1	23.9	30.6	30.3	37.3	35.6	43.5	47.9	61.3	445
	125	Typ	NA	NA	NA	NA	3.65	NA	NA	NA	NA	NA	NA	NA	NA	NA		NA
		Max	1960	1998	3.18	3.25	NA	12.9	13.8	26.9	33.6	35	40.3	38.7	46.8	NA		484
<b>S32K14xW</b>	25	Typ	37.7	42	1.6	1.61	3	7.31	8.05	19.9	26.9	27	33.3	30.2	39.6	N/A		378
		Max	N/A	N/A	N/A	N/A	N/A	N/A	N/A	N/A	N/A	N/A	N/A	N/A	N/A	N/A		N/A
	105	Typ	277	280	1.9	2.1	3.42	8.28	9.03	21.1	27.4	27.5	33.8	31.2	40.5	N/A		390
		Max	905	910	2.68	2.71	N/A	10.4	11.1	25.9	30.7	32.4	37.4	36.4	43.6	N/A		455
	125	Typ	745	747	2.38	2.39	3.84	9.9	10.7	22.8	28.6	29	34.5	32.7	41	N/A		409
		Max																

Table continues on the next page...

**Table 13. Power consumption (Typicals unless stated otherwise) 1 (continued)**

Chip/Device	Ambient Temperature (°C)		VLPS (µA) <sup>2</sup>		VLPR (mA)			STOP1 (mA)	STOP2 (mA)	RUN@48 MHz (mA)		RUN@64 MHz (mA)		RUN@80 MHz (mA)		HSRUN@112 MHz (mA) <sup>3</sup>		IDD/MHz (µA/MHz) <sup>4</sup>
			Peripherals disabled <sup>5</sup>	LPTMR enabled	Peripherals disabled <sup>6</sup>	Peripherals enabled use case 1 <sup>6</sup>	Peripherals enabled use case 2 <sup>7</sup>			Peripherals disabled	Peripherals enabled	Peripherals disabled	Peripherals enabled	Peripherals disabled	Peripherals enabled	Peripherals disabled	Peripherals enabled	
	150	Max	1970	1999	3.29	3.3	N/A	13.3	14	30	34.6	36.4	41.5	40.1	47.3	N/A		501
		Typ	N/A	N/A	N/A	N/A	4.93	N/A	N/A	N/A	N/A	N/A	N/A	N/A	N/A	N/A		N/A
		Max	3946	3980	6.39	6.41	N/A	23.2	23.9	41	45.7	47.4	52.1	51	57.2	N/A		638
<b>S32K146</b>	25	Typ	37	47	1.57	1.61	3.3	8	9.2	23.4	31.4	30.5	40.2	36.2	47.6	52	68.3	452
		Max	974	981	3.32	3.38	NA	12.7	13.9	29.3	37.9	36.7	47	42.4	54.4	60.3	78	530
	85	Typ	207	209	1.79	1.83	3.54	8.9	10.1	24.4	32.4	31.5	41.3	37.2	48.7	53.3	69.8	465
		Max	2004	2017	4.06	4.13	NA	17.1	18.3	34.1	42.6	41.3	51.4	46.9	58.8	65.7	82.8	587
	105	Typ	419	422	1.99	2.04	3.78	9.8	11	25.3	33.4	32.5	42.2	38.1	49.6	54.4	70.8	477
		Max	3358	3380	5.28	5.38	NA	22.6	23.7	40.2	48.8	47.3	57.4	52.8	64.8	NA		660
125	Typ	NA	NA	NA	NA	4.44	NA	NA	NA	NA	NA	NA	NA	NA	NA		NA	
	Max	3358	3380	5.28	5.38	NA	22.6	23.7	40.2	48.8	47.3	57.4	52.8	64.8	NA		660	
<b>S32K148<sup>8</sup></b>	25	Typ	38	54	2.17	2.20	3.45	8.5	9.6	27.6	34.9	35.5	45.3	42.1	57.7	60.3	83.3	526
		Max	1660	1736	3.48	3.55	NA	14.5	15.6	34.8	43.6	41.9	53.9	48.7	65.1	70.4	96.1	609
	85	Typ	336	357	2.30	2.35	3.74	10.1	11.1	29.1	37.0	36.8	46.6	43.4	59.9	62.9	88.7	543
		Max	2945	2970	4.40	4.47	NA	18.0	19.0	38.4	46.8	44.9	55.3	51.6	66.8	73.6	97.4	645
	105	Typ	560	577	2.49	2.54	4.03	10.9	11.9	29.8	37.8	37.6	47.5	45.2	61.5	63.8	89.1	565
		Max	3990	4166	6.00	6.08	NA	23.4	24.5	44.3	52.5	50.9	61.3	57.5	71.6	NA		719
125	Typ	NA	NA	NA	NA	4.85	NA	NA	NA	NA	NA	NA	NA	NA	NA		NA	
	Max	3990	4166	6.00	6.08	NA	23.4	24.5	44.3	52.5	50.9	61.3	57.5	71.6	NA		719	

1. Typical current numbers are indicative for typical silicon process and may vary based on the silicon distribution and user configuration. Typical conditions assumes  $V_{DD} = V_{DDA} = V_{REFH} = 5\text{ V}$ , temperature = 25 °C and typical silicon process unless otherwise stated. All output pins are floating and On-chip pulldown is enabled for all unused input pins.
2. Current numbers are for reduced configuration and may vary based on user configuration and silicon process variation.
3. HSRUN mode must not be used at 125°C. Max ambient temperature for HSRUN mode is 105°C.
4. Values mentioned for S32K14x devices are measured at RUN@80 MHz with peripherals disabled and values mentioned for S32K11x devices are measured at RUN@48 MHz with peripherals disabled.
5. With PMC\_REGSC[CLKBIASDIS] set to 1. See Reference Manual for details.
6. Data collected using RAM
7. Numbers on limited samples size and data collected with Flash
8. The S32K148 data points assume that ENET/QuadSPI/SAI etc. are inactive.

**Table 14. VLPS additional use-case power consumption at typical conditions 1, 2, 3**

Use-case	Description	Temp.	Device						Unit	
			S32K116	S32K118	S32K142	S32K144	S32K14xW	S32K146		S32K148
VLPS and RTC	<ul style="list-style-type: none"> <li>• Clock source: LPO or RTC_CLKIN</li> </ul>	25	30	30	30	31	31	38	40	µA
		85	96	102	148	170	–	227	356	µA
		105	179	189	280	290	305	460	600	µA
		125	281	327	570	680	700	810	1250	µA
		150	–	–	–	–	1310	–	–	µA
VLPS and LPUART TX/RX	<ul style="list-style-type: none"> <li>• Clock source: SIRC</li> <li>• Transmitting or receiving continuously using DMA</li> <li>• Baudrate: 19.2 kbps</li> </ul>	25	179	187	230	230	248	250	250	µA
		85	235	244	320	400	–	410	490	µA
		105	304	325	490	550	563	600	850	µA
		125	499	551	890	1070	1102	1250	1960	µA
		150	–	–	–	–	2048	–	–	µA
VLPS and LPUART wake-up	<ul style="list-style-type: none"> <li>• Clock source: SIRC</li> <li>• Wake-up address feature enabled</li> <li>• Baudrate: 19.2 kbps</li> </ul>	25	107	107	135	138	140	146	146	µA
		85	149	157	170	240	–	280	350	µA
		105	199	223	260	400	424	480	600	µA
		125	347	405	530	580	703	1000	1280	µA
		150	–	–	–	–	1340	–	–	µA
VLPS and LPI2C master	<ul style="list-style-type: none"> <li>• Clock Source: SIRC</li> <li>• Transmit/receive using DMA</li> <li>• Baudrate: 100 kHz</li> </ul>	25	600	600	670	690	691	820	900	µA
		85	696	712	880	960	–	1220	1370	µA
		105	815	852	1080	1250	1320	1660	2060	µA
		125	1152	1251	1970	1980	2001	2860	3690	µA
		150	–	–	–	–	4228	–	–	µA
VLPS and LPI2C slave wake-up	<ul style="list-style-type: none"> <li>• Clock source: SIRC</li> <li>• Wake-up address feature enabled</li> <li>• Baudrate: 100 kHz</li> </ul>	25	260	260	260	260	260	270	280	µA
		85	293	308	340	340	–	410	510	µA
		105	339	367	430	430	458	610	810	µA
		125	478	543	740	760	774	1170	1540	µA
		150	–	–	–	–	1691	–	–	µA
VLPS and LPSPi master <sup>4</sup>	<ul style="list-style-type: none"> <li>• Clock source: SIRC</li> <li>• Transmit/receive using DMA</li> <li>• Baudrate: 500 kHz</li> </ul>	25	2.51	2.94	2.99	3.19	3.2	3.75	4.11	mA
		85	2.67	3.09	3.26	3.7	–	4.35	4.93	mA

Table continues on the next page...

**Table 14. VLPS additional use-case power consumption at typical conditions 1, 2, 3 (continued)**

Use-case	Description	Temp.	Device						Unit	
			S32K116	S32K118	S32K142	S32K144	S32K14xW	S32K146		S32K148
		105	2.83	3.21	3.5	4.2	4.34	4.93	5.74	mA
		125	3.34	3.53	3.93	4.63	5.38	5.97	7.38	mA
		150	–	–	–	–	7.49	–	–	mA
VLPS and LPIT	<ul style="list-style-type: none"> <li>• Clock source: SIRC</li> <li>• 1 channel enable</li> <li>• Mode: 32-bit periodic counter</li> </ul>	25	114	114	114	114	116	120	130	μA
		85	158	164	190	250	–	260	320	μA
		105	210	223	310	410	425	440	570	μA
		125	371	408	640	750	780	910	1280	μA
		150	–	–	–	–	1380	–	–	μA

1. All power numbers listed in this table are typical power numbers
2. Current numbers are quoted for a certain application code and may vary on user configuration and silicon process variation.
3. The power numbers are not strictly for the VLPS mode operation alone, but also includes power due to periodic wakeup. The power therefore includes wakeup plus VLPS mode activity. This leads to greater dependence of power numbers on application code.
4. The single LPSPI used is LPSPI1 in S32K14X devices but LPSPI0 in S32K11x devices.

The following table shows the power consumption targets for S32K148 in various mode of operations measure at 3.3 V.

**Table 15. Power consumption at 3.3 V**

Chip/Device	Ambient Temperature (°C)		RUN@80 MHz (mA)		HSRUN@112 MHz (mA) <sup>1</sup>	
			Peripherals enabled + QSPI	Peripherals enabled + ENET + SAI	Peripherals enabled + QSPI	Peripherals enabled + ENET + SAI
S32K148	25	Typ	67.3	79.1	89.8	105.5
		Max	82.5	88.2	109.7	117.4
	85	Typ	67.4	79.2	95.6	105.9
		Max	80.3	89.1	109.0	119.0
	105	Typ	68.0	79.8	96.6	106.7
		Max	80.3	89.1	109.0	119.0
125	Max	83.5	94.7	NA		

1. HSRUN mode must not be used at 125°C. Max ambient temperature for HSRUN mode is 105°C.

## 4.8 ESD and latch-up protection characteristics

Symbol	Description	Min.	Max.	Unit
V <sub>HBM</sub>	Electrostatic discharge voltage, human body model <sup>1, 2, 3</sup>	- 4000	4000	V
V <sub>CDM</sub>	Electrostatic discharge voltage, charged-device model <sup>1, 2, 4</sup>			
	All pins except the corner pins	- 500	500	V
	Corner pins only	- 750	750	V
I <sub>LAT</sub>	Latch-up current at ambient temperature of 125 °C <sup>5</sup>	- 100	100	mA

1. Device failure is defined as: "If after exposure to ESD pulses, the device does not meet specification requirements."
2. All ESD testing conforms with AEC-Q100 Stress Test Qualification for Automotive Grade Integrated Circuits.
3. This parameter is tested in conformity with AEC-Q100-002.
4. This parameter is tested in conformity with AEC-Q100-011.
5. This parameter is tested in conformity with AEC-Q100-004.

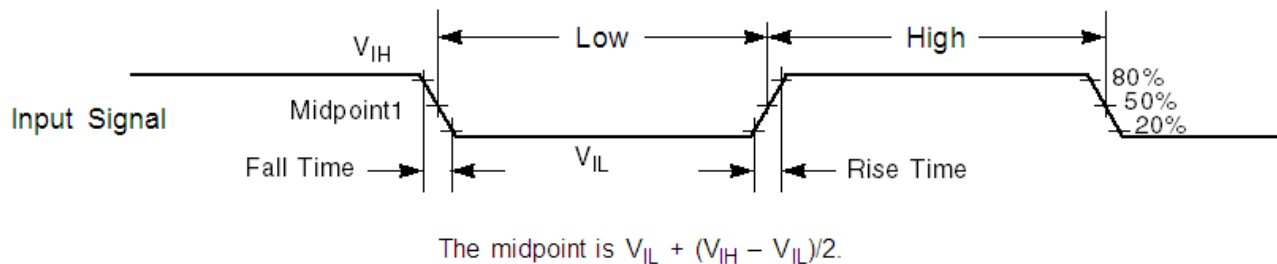
## 4.9 EMC radiated emissions operating behaviors

EMC measurements to IC-level IEC standards are available from NXP on request.

## 5 I/O parameters

### 5.1 AC electrical characteristics

Unless otherwise specified, propagation delays are measured from the 50% to the 50% point, and rise and fall times are measured at the 20% and 80% points, as shown in the following figure.



**Figure 8. Input signal measurement reference**

### 5.2 General AC specifications

These general purpose specifications apply to all signals configured for GPIO, UART, and timers.

**Table 16. General switching specifications**

Symbol	Description	Min.	Max.	Unit	Notes
	GPIO pin interrupt pulse width (digital glitch filter disabled) — Synchronous path	1.5	—	Bus clock cycles	1, 2
	GPIO pin interrupt pulse width (digital glitch filter disabled, passive filter disabled) — Asynchronous path	50	—	ns	3
WFRST	$\overline{\text{RESET}}$ input filtered pulse	—	10	ns	4
WNFRST	$\overline{\text{RESET}}$ input not filtered pulse	Maximum of (100 ns, bus clock period)	—	ns	5

1. This is the minimum pulse width that is guaranteed to pass through the pin synchronization circuitry. Shorter pulses may or may not be recognized. In Stop and VLPS modes, the synchronizer is bypassed so shorter pulses can be recognized in that case.
2. The greater of synchronous and asynchronous timing must be met.
3. These pins do not have a passive filter on the inputs. This is the shortest pulse width that is guaranteed to be recognized.
4. Maximum length of  $\overline{\text{RESET}}$  pulse which will be the filtered by internal filter only if PCR\_PTA5[PFE] is at its reset value of 1'b1.
5. Minimum length of  $\overline{\text{RESET}}$  pulse, guaranteed not to be filtered by the internal filter only if PCR\_PTA5[PFE] is at its reset value of 1'b1. This number depends on the bus clock period also. In this case, minimum pulse width which will cause reset is 250 ns. For faster clock frequencies which have clock period less than 100 ns, the minimum pulse width not filtered will

be 100 ns. After this filtering mechanism, the software has an option to put additional filtering in addition to this, by means of PCM\_RPC register and/or PORT\_DFER register for PTA5.

## 5.3 DC electrical specifications at 3.3 V Range

### NOTE

For details on the pad types defined in [Table 17](#) and [Table 19](#), see Reference Manual section *IO Signal Table* and IO Signal Description Input Multiplexing sheet(s) attached with Reference Manual.

**Table 17. DC electrical specifications at 3.3 V Range for S32K1xx series**

Symbol	Parameter	Value			Unit	Notes
		Min.	Typ.	Max.		
$V_{DD}$	I/O Supply Voltage	2.7	3.3	4	V	1
$V_{ih}$	Input Buffer High Voltage	$0.7 \times V_{DD}$	—	$V_{DD} + 0.3$	V	2
$V_{il}$	Input Buffer Low Voltage	$V_{SS} - 0.3$	—	$0.3 \times V_{DD}$	V	3
$V_{hys}$	Input Buffer Hysteresis	$0.06 \times V_{DD}$	—	—	V	
$I_{ohGPIO}$ $I_{ohGPIO-HD\_DSE\_0}$	I/O current source capability measured when pad $V_{oh} = (V_{DD} - 0.8 V)$	3.5	—	—	mA	
$I_{olGPIO}$ $I_{olGPIO-HD\_DSE\_0}$	I/O current sink capability measured when pad $V_{ol} = 0.8 V$	3	—	—	mA	
$I_{ohGPIO-HD\_DSE\_1}$	I/O current source capability measured when pad $V_{oh} = (V_{DD} - 0.8 V)$	14	—	—	mA	4
$I_{olGPIO-HD\_DSE\_1}$	I/O current sink capability measured when pad $V_{ol} = 0.8 V$	12	—	—	mA	4
$I_{ohGPIO-FAST\_DSE\_0}$	I/O current sink capability measured when pad $V_{oh}=V_{DD}-0.8 V$	9.5	—	—	mA	5
$I_{olGPIO-FAST\_DSE\_0}$	I/O current sink capability measured when pad $V_{ol} = 0.8 V$	10	—	—	mA	5
$I_{ohGPIO-FAST\_DSE\_1}$	I/O current sink capability measured when pad $V_{oh}=V_{DD}-0.8 V$	16	—	—	mA	5
$I_{olGPIO-FAST\_DSE\_1}$	I/O current sink capability measured when pad $V_{ol} = 0.8 V$	15.5	—	—	mA	5
IOHT	Output high current total for all ports	—	—	100	mA	
IIN	Input leakage current (per pin) for full temperature range at $V_{DD} = 3.3 V$		5	$500^6$	nA	7
	All pins other than high drive port pins		0.005	0.5	$\mu A$	
	High drive port pins <sup>8</sup>		0.010	0.5	$\mu A$	
$R_{PU}$	Internal pullup resistors	20		60	k $\Omega$	9
$R_{PD}$	Internal pulldown resistors	20		60	k $\Omega$	10

- S32K148 will operate from 2.7 V when executing from internal FIRC. When the PLL is engaged S32K148 is guaranteed to operate from 2.97 V. All other S32K family devices operate from 2.7 V in all modes.
- For reset pads, same  $V_{ih}$  levels are applicable

**I/O parameters**

3. For reset pads, same  $V_{il}$  levels are applicable
4. The value given is measured at high drive strength mode. For value at low drive strength mode see the  $I_{oh\_Standard}$  value given above.
5. For reference only. Run simulations with the IBIS model and custom board for accurate results.
6. Typical leakage is given at room temperature. Maximum is given for 125°C. Leakage numbers increase with temperature, approximately every 12 – 14°C the value doubles. Leakage is tested at hot temperature. We ensure maximums are not exceeded. Please note that when the ADC module samples a pin, additional currents beyond the leakage number are drawn to charge the sample and hold capacitances and internal analog busses. These are difficult to predict
7. Several I/O have both high drive and normal drive capability selected by the associated Portx\_PCRn[DSE] control bit. All other GPIOs are normal drive only. For details see IO Signal Description Input Multiplexing sheet(s) attached with the *Reference Manual*.
8. When using ENET and SAI on S32K148, the overall device limits associated with high drive pin configurations must be respected i.e. On 144-pin LQFP the general purpose pins: PTA10, PTD0, and PTE4 must be set to low drive.
9. Measured at input  $V = V_{SS}$
10. Measured at input  $V = V_{DD}$

**Table 18. DC electrical specifications at 3.3 V Range for S32K14xW series**

Symbol	Parameter	Value			Unit	Notes
		Min.	Typ.	Max.		
$V_{DD}$	I/O Supply Voltage	3.13	3.3	4	V	
$V_{ih}$	Input Buffer High Voltage	$0.7 \times V_{DD}$	—	$V_{DD} + 0.3$	V	1
$V_{il}$	Input Buffer Low Voltage	$V_{SS} - 0.3$	—	$0.3 \times V_{DD}$	V	2
$V_{hys}$	Input Buffer Hysteresis	$0.06 \times V_{DD}$	—	—	V	
$I_{oh\_GPIO}$ $I_{oh\_GPIO-HD\_DSE\_0}$	I/O current source capability measured when pad $V_{oh} = (V_{DD} - 0.8 V)$	3.5	—	—	mA	
$I_{ol\_GPIO}$ $I_{ol\_GPIO-HD\_DSE\_0}$	I/O current sink capability measured when pad $V_{ol} = 0.8 V$	3	—	—	mA	
$I_{oh\_GPIO-HD\_DSE\_1}$	I/O current source capability measured when pad $V_{oh} = (V_{DD} - 0.8 V)$	14	—	—	mA	3
$I_{ol\_GPIO-HD\_DSE\_1}$	I/O current sink capability measured when pad $V_{ol} = 0.8 V$	12	—	—	mA	3
IOHT	Output high current total for all ports	—	—	100	mA	
IIN	Input leakage current (per pin) for full temperature range at $V_{DD} = 3.3 V$					4
	All pins other than high drive port pins		0.005	0.5	$\mu A$	
	High drive port pins (excluding XTAL pin)		0.010	0.5	$\mu A$	
	XTAL pin (PTB6) temperature $\leq 125^\circ C$		0.010	0.5	$\mu A$	
	XTAL pin (PTB6) temperature $\geq 125^\circ C$			1.1	$\mu A$	
$R_{PU}$	Internal pullup resistors	20		60	k $\Omega$	5
$R_{PD}$	Internal pulldown resistors	20		60	k $\Omega$	6

1. For reset pads, same  $V_{ih}$  levels are applicable
2. For reset pads, same  $V_{il}$  levels are applicable
3. The value given is measured at high drive strength mode. For value at low drive strength mode see the  $I_{oh\_Standard}$  value given above.
4. Several I/O have both high drive and normal drive capability selected by the associated Portx\_PCRn[DSE] control bit. All other GPIOs are normal drive only. For details see IO Signal Description Input Multiplexing sheet(s) attached with the *Reference Manual*.
5. Measured at input  $V = V_{SS}$
6. Measured at input  $V = V_{DD}$

## 5.4 DC electrical specifications at 5.0 V Range

Table 19. DC electrical specifications at 5.0 V Range for S32K1xx series

Symbol	Parameter	Value			Unit	Notes
		Min.	Typ.	Max.		
$V_{DD}$	I/O Supply Voltage	4	—	5.5	V	
$V_{ih}$	Input Buffer High Voltage	$0.65 \times V_{DD}$	—	$V_{DD} + 0.3$	V	1
$V_{il}$	Input Buffer Low Voltage	$V_{SS} - 0.3$	—	$0.35 \times V_{DD}$	V	2
$V_{hys}$	Input Buffer Hysteresis	$0.06 \times V_{DD}$	—	—	V	
$I_{ohGPIO}$ $I_{ohGPIO-HD\_DSE\_0}$	I/O current source capability measured when pad $V_{oh} = (V_{DD} - 0.8 \text{ V})$	5	—	—	mA	
$I_{olGPIO}$ $I_{olGPIO-HD\_DSE\_0}$	I/O current sink capability measured when pad $V_{ol} = 0.8 \text{ V}$	5	—	—	mA	
$I_{ohGPIO-HD\_DSE\_1}$	I/O current source capability measured when pad $V_{oh} = V_{DD} - 0.8 \text{ V}$	20	—	—	mA	3
$I_{olGPIO-HD\_DSE\_1}$	I/O current sink capability measured when pad $V_{ol} = 0.8 \text{ V}$	20	—	—	mA	3
$I_{ohGPIO-FAST\_DSE\_0}$	I/O current sink capability measured when pad $V_{oh} = V_{DD} - 0.8 \text{ V}$	14.0	—	—	mA	4
$I_{olGPIO-FAST\_DSE\_0}$	I/O current sink capability measured when pad $V_{ol} = 0.8 \text{ V}$	14.5	—	—	mA	4
$I_{ohGPIO-FAST\_DSE\_1}$	I/O current sink capability measured when pad $V_{oh} = V_{DD} - 0.8 \text{ V}$	21	—	—	mA	4
$I_{olGPIO-FAST\_DSE\_1}$	I/O current sink capability measured when pad $V_{ol} = 0.8 \text{ V}$	20.5	—	—	mA	4
IOHT	Output high current total for all ports	—	—	100	mA	
IIN	Input leakage current (per pin) for full temperature range at $V_{DD} = 3.3 \text{ V}$		5	$500^5$	nA	6
	All pins other than high drive port pins		0.005	0.5	$\mu\text{A}$	
	High drive port pins (excluding XTAL pin)		0.010	0.5	$\mu\text{A}$	
$R_{PU}$	Internal pullup resistors	20		50	k $\Omega$	7
$R_{PD}$	Internal pulldown resistors	20		50	k $\Omega$	8

- For reset pads, same  $V_{ih}$  levels are applicable
- For reset pads, same  $V_{il}$  levels are applicable
- The strong pad I/O pin is capable of switching a 50 pF load up to 40 MHz.
- For reference only. Run simulations with the IBIS model and custom board for accurate results.
- Typical leakage is given at room temperature. Maximum is given for 125°C. Leakage numbers increase with temperature, approximately every 12 – 14°C the value doubles. Leakage is tested at hot temperature. We ensure maximums are not exceeded. Please note that when the ADC module samples a pin, additional currents beyond the leakage number are drawn to charge the sample and hold capacitances and internal analog busses. These are difficult to predict
- Several I/O have both high drive and normal drive capability selected by the associated Portx\_PCRn[DSE] control bit. All other GPIOs are normal drive only. For details see IO Signal Description Input Multiplexing sheet(s) attached with the *Reference Manual*.

**I/O parameters**

7. Measured at input  $V = V_{SS}$   
 8. Measured at input  $V = V_{DD}$

**Table 20. DC electrical specifications at 5.0 V Range for S32K14xW series**

Symbol	Parameter	Value			Unit	Notes
		Min.	Typ.	Max.		
$V_{DD}$	I/O Supply Voltage	4	—	5.5	V	
$V_{ih}$	Input Buffer High Voltage	$0.65 \times V_{DD}$	—	$V_{DD} + 0.3$	V	-1
$V_{il}$	Input Buffer Low Voltage	$V_{SS} - 0.3$	—	$0.35 \times V_{DD}$	V	1
$V_{hys}$	Input Buffer Hysteresis	$0.06 \times V_{DD}$	—	—	V	
$I_{oh_{GPIO}}$ $I_{oh_{GPIO-HD\_DSE\_0}}$	I/O current source capability measured when pad $V_{oh} = (V_{DD} - 0.8 \text{ V})$	5	—	—	mA	
$I_{ol_{GPIO}}$ $I_{ol_{GPIO-HD\_DSE\_0}}$	I/O current sink capability measured when pad $V_{ol} = 0.8 \text{ V}$	5	—	—	mA	
$I_{oh_{GPIO-HD\_DSE\_1}}$	I/O current source capability measured when pad $V_{oh} = V_{DD} - 0.8 \text{ V}$	20	—	—	mA	2
$I_{ol_{GPIO-HD\_DSE\_1}}$	I/O current sink capability measured when pad $V_{ol} = 0.8 \text{ V}$	20	—	—	mA	2
IOHT	Output high current total for all ports	—	—	100	mA	
IIN	Input leakage current (per pin) for full temperature range at $V_{DD} = 5.5 \text{ V}$					3
	All pins other than high drive port pins		0.005	0.5	$\mu\text{A}$	
	High drive port pins		0.010	0.5	$\mu\text{A}$	
	XTAL pin (PTB6) temperature $\leq 125^\circ \text{ C}$		0.010	0.5	$\mu\text{A}$	
	XTAL pin (PTB6) temperature $\geq 125^\circ \text{ C}$			1.1	$\mu\text{A}$	
$R_{PU}$	Internal pullup resistors	20		50	$k\Omega$	4
$R_{PD}$	Internal pulldown resistors	20		50	$k\Omega$	5

1. For reset pads, same  $V_{il}$  levels are applicable  
 2. The strong pad I/O pin is capable of switching a 50 pF load up to 40 MHz.  
 3. Several I/O have both high drive and normal drive capability selected by the associated Portx\_PCRn[DSE] control bit. All other GPIOs are normal drive only. For details see IO Signal Description Input Multiplexing sheet(s) attached with the *Reference Manual*  
 4. Measured at input  $V = V_{SS}$   
 5. Measured at input  $V = V_{DD}$

**5.5 AC electrical specifications at 3.3 V range****Table 21. AC electrical specifications at 3.3 V Range for S32K1xx series**

Symbol	DSE	Rise time (nS) <sup>1</sup>		Fall time (nS) <sup>1</sup>		Capacitance (pF) <sup>2</sup>
		Min.	Max.	Min.	Max.	
$t_{RF_{GPIO}}$	NA	3.2	14.5	3.4	15.7	25
		5.7	23.7	6.0	26.2	50

Table continues on the next page...

**Table 21. AC electrical specifications at 3.3 V Range for S32K1xx series (continued)**

Symbol	DSE	Rise time (nS) <sup>1</sup>		Fall time (nS) <sup>1</sup>		Capacitance (pF) <sup>2</sup>
		Min.	Max.	Min.	Max.	
		20.0	80.0	20.8	88.4	200
tRF <sub>GPIO-HD</sub>	0	3.2	14.5	3.4	15.7	25
		5.7	23.7	6.0	26.2	50
		20.0	80.0	20.8	88.4	200
	1	1.5	5.8	1.7	6.1	25
		2.4	8.0	2.6	8.3	50
		6.3	22.0	6.0	23.8	200
tRF <sub>GPIO-FAST</sub>	0	0.6	2.8	0.5	2.8	25
		3.0	7.1	2.6	7.5	50
		12.0	27.0	10.3	26.8	200
	1	0.4	1.3	0.38	1.3	25
		1.5	3.8	1.4	3.9	50
		7.4	14.9	7.0	15.3	200

1. For reference only. Run simulations with the IBIS model and your custom board for accurate results.
2. Maximum capacitances supported on Standard IOs. However interface or protocol specific specifications might be different, for example for ENET, QSPI etc. . For protocol specific AC specifications, see respective sections.

**Table 22. AC electrical specifications at 3.3 V Range for S32K14xW series**

Symbol	DSE	Rise time (nS) <sup>1</sup>		Fall time (nS) <sup>1</sup>		Capacitance (pF) <sup>2</sup>
		Min.	Max.	Min.	Max.	
tRF <sub>GPIO</sub>	NA	3.2	14.5	3.4	15.7	25
		5.7	23.7	6.0	26.2	50
		20.0	80.0	20.8	88.4	200
tRF <sub>GPIO-HD</sub>	0	3.2	14.5	3.4	15.7	25
		5.7	23.7	6.0	26.2	50
		20.0	80.0	20.8	88.4	200
	1	1.5	5.8	1.7	6.1	25
		2.4	8.0	2.6	8.3	50
		6.3	22.0	6.0	23.8	200

1. For reference only. Run simulations with the IBIS model and your custom board for accurate results.
2. Maximum capacitances supported on Standard IOs. However interface or protocol specific specifications might be different. For protocol specific AC specifications, see respective sections.

## I/O parameters

## 5.6 AC electrical specifications at 5 V range

**Table 23. AC electrical specifications at 5 V Range for S32K1xx series**

Symbol	DSE	Rise time (nS) <sup>1</sup>		Fall time (nS) <sup>1</sup>		Capacitance (pF) <sup>2</sup>
		Min.	Max .	Min.	Max.	
tRF <sub>GPIO</sub>	NA	2.8	9.4	2.9	10.7	25
		5.0	15.7	5.1	17.4	50
		17.3	54.8	17.6	59.7	200
tRF <sub>GPIO-HD</sub>	0	2.8	9.4	2.9	10.7	25
		5.0	15.7	5.1	17.4	50
		17.3	54.8	17.6	59.7	200
	1	1.1	4.6	1.1	5.0	25
		2.0	5.7	2.0	5.8	50
		5.4	16.0	5.0	16.0	200
tRF <sub>GPIO-FAST</sub>	0	0.42	2.2	0.37	2.2	25
		2.0	5.0	1.9	5.2	50
		9.3	18.8	8.5	19.3	200
	1	0.37	0.9	0.35	0.9	25
		1.2	2.7	1.2	2.9	50
		6.0	11.8	6.0	12.3	200

1. For reference only. Run simulations with the IBIS model and your custom board for accurate results.
2. Maximum capacitances supported on Standard IOs. However interface or protocol specific specifications might be different, for example for ENET, QSPI etc. . For protocol specific AC specifications, see respective sections.

**Table 24. AC electrical specifications at 5 V Range for S32K14xW series**

Symbol	DSE	Rise time (nS) <sup>1</sup>		Fall time (nS) <sup>1</sup>		Capacitance (pF) <sup>2</sup>
		Min.	Max .	Min.	Max.	
tRF <sub>GPIO</sub>	NA	2.8	9.4	2.9	10.7	25
		5.0	15.7	5.1	17.4	50
		17.3	54.8	17.6	59.7	200
tRF <sub>GPIO-HD</sub>	0	2.8	9.4	2.9	10.7	25
		5.0	15.7	5.1	17.4	50
		17.3	54.8	17.6	59.7	200
	1	1.1	4.6	1.1	5.0	25
		2.0	5.7	2.0	5.8	50
		5.4	16.0	5.0	16.0	200

1. For reference only. Run simulations with the IBIS model and your custom board for accurate results.
2. Maximum capacitances supported on Standard IOs. However interface or protocol specific specifications might be different. For protocol specific AC specifications, see respective sections.

## 5.7 Standard input pin capacitance

Table 25. Standard input pin capacitance

Symbol	Description	Min.	Max.	Unit
$C_{IN\_D}$	Input capacitance: digital pins	—	7	pF

### NOTE

Please refer to [External System Oscillator electrical specifications](#) for EXTAL/XTAL pins.

## 5.8 Device clock specifications

Table 26. Device clock specifications 1

Symbol	Description	Min.	Max.	Unit
High Speed run mode <sup>2</sup>				
$f_{SYS}$	System and core clock	—	112	MHz
$f_{BUS}$	Bus clock	—	56	MHz
$f_{FLASH}$	Flash clock	—	28	MHz
Normal run mode (S32K11x series)				
$f_{SYS}$	System and core clock	—	48	MHz
$f_{BUS}$	Bus clock	—	48	MHz
$f_{FLASH}$	Flash clock	—	24	MHz
Normal run mode (S32K14x series) <sup>3</sup>				
$f_{SYS}$	System and core clock	—	80	MHz
$f_{BUS}$	Bus clock	—	40 <sup>4</sup>	MHz
$f_{FLASH}$	Flash clock	—	26.67	MHz
Normal run mode (S32K14xW series) <sup>5</sup>				
$f_{SYS}$	System and core clock	—	80	MHz
$f_{BUS}$	Bus clock	—	40 <sup>4</sup>	MHz
$f_{FLASH}$	Flash clock	—	20	MHz
VLPR mode (S32K1xx series) <sup>6</sup>				
$f_{SYS}$	System and core clock	—	4	MHz
$f_{BUS}$	Bus clock	—	4	MHz
$f_{FLASH}$	Flash clock	—	1	MHz
VLPR mode (S32K14xW series) <sup>6</sup>				
$f_{SYS}$	System and core clock	—	1	MHz
$f_{BUS}$	Bus clock	—	1	MHz
$f_{FLASH}$	Flash clock	—	0.25	MHz

1. Refer to the section [Feature comparison](#) for the availability of modes and other specifications.

## Peripheral operating requirements and behaviors

2. Only available on some devices. See section [Feature comparison](#).
3. With SPLL as system clock source.
4. 48 MHz when  $f_{SYS}$  is 48 MHz
5. With SPLL as system clock source.
6. The frequency limitations in VLPR mode here override any frequency specification listed in the timing specification for any other module.

# 6 Peripheral operating requirements and behaviors

## 6.1 System modules

There are no electrical specifications necessary for the device's system modules.

## 6.2 Clock interface modules

### 6.2.1 External System Oscillator electrical specifications

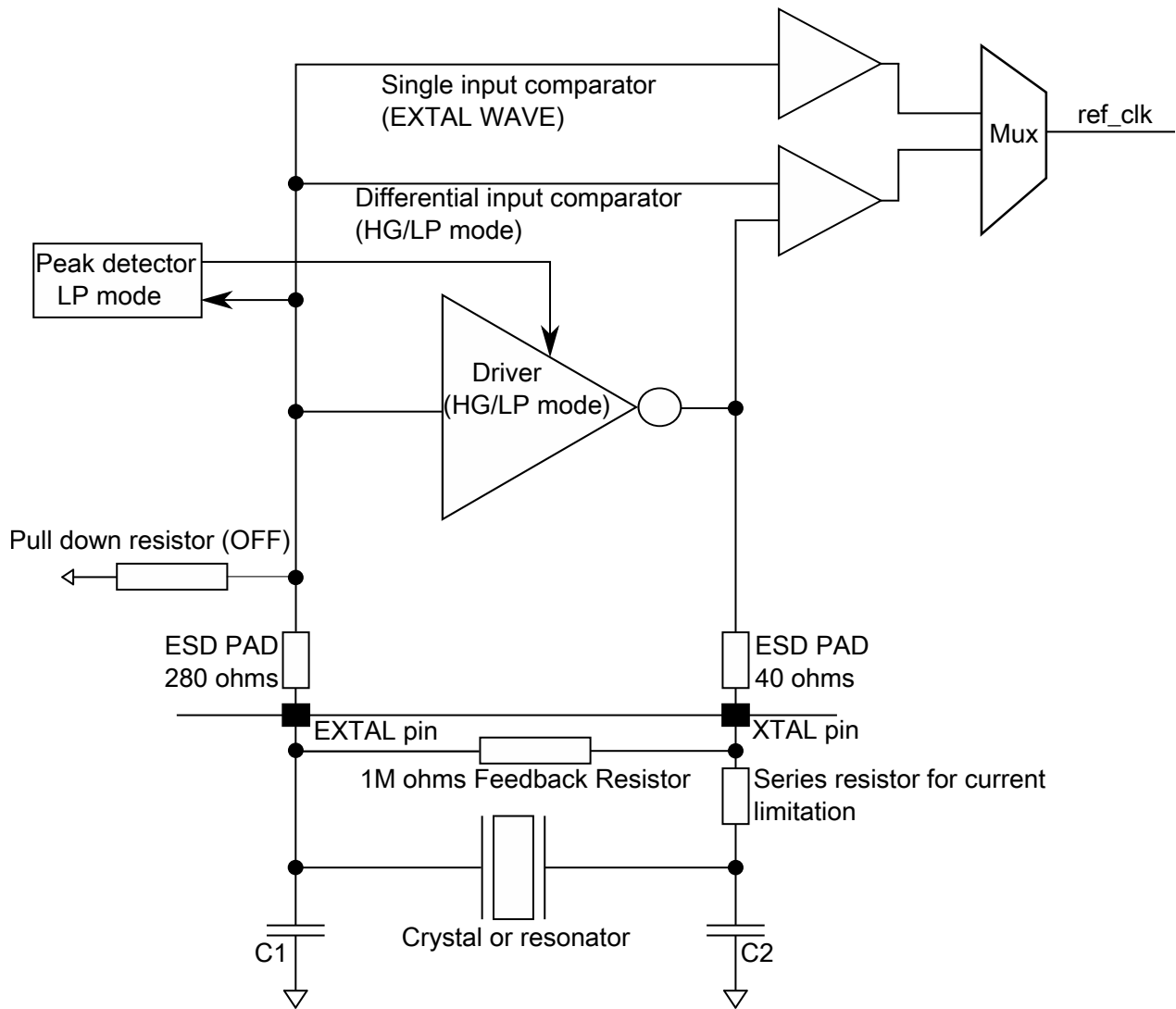


Figure 9. Oscillator connections scheme

Table 27. External System Oscillator electrical specifications

Symbol	Description	Min.	Typ.	Max.	Unit	Notes
g <sub>mXOSC</sub>	Crystal oscillator transconductance					
	SCG_SOSCCFG[RANGE]=2'b10 for 4-8 MHz	2.2	—	13.7	mA/V	
	SCG_SOSCCFG[RANGE]=2'b11 for 8-40 MHz	16	—	47	mA/V	
V <sub>IL</sub>	Input low voltage — EXTAL pin in external clock mode	V <sub>SS</sub>	—	1.15	V	
V <sub>IH</sub>	Input high voltage — EXTAL pin in external clock mode	0.7 * V <sub>DD</sub>	—	V <sub>DD</sub>	V	
C <sub>1</sub>	EXTAL load capacitance	—	—	—		1
C <sub>2</sub>	XTAL load capacitance	—	—	—		1
R <sub>F</sub>	Feedback resistor					2
	Low-gain mode (HGO=0)	—	—	—	MΩ	

Table continues on the next page...

## Clock interface modules

**Table 27. External System Oscillator electrical specifications (continued)**

Symbol	Description	Min.	Typ.	Max.	Unit	Notes
	High-gain mode (HGO=1)	—	1	—	MΩ	
R <sub>S</sub> <sup>3</sup>	Series resistor					
	Low-gain mode (HGO=0)	—	0	—	kΩ	
	High-gain mode (HGO=1)	—	0	—	kΩ	
V <sub>pp_XTAL</sub>	Peak-to-peak amplitude of oscillation (oscillator mode) at XTAL					4
	Low-gain mode (HGO=0)	—	1.0	—	V	
	High-gain mode (HGO=1)	—	3.3	—	V	
V <sub>pp_EXTAL</sub>	Peak-to-peak amplitude of oscillation (oscillator mode) at EXTAL					4, 5
	Low-gain mode (HGO=0)	0.8	—	—	V	
	High-gain mode (HGO=1), V <sub>DD</sub> = 4.0 V to 5.5 V	1.7	—	—	V	
V <sub>SOSCOP</sub>	Oscillation operating point					4
	High-gain mode (HGO=1)	1.15	—	—	V	

1. Crystal oscillator circuit provides stable oscillations when  $g_{mXOSC} > 5 * gm\_crit$ . The  $gm\_crit$  is defined as:

$$gm\_crit = 4 * (ESR + R_S) * (2\pi F)^2 * (C_0 + C_L)^2$$

where:

- $g_{mXOSC}$  is the transconductance of the internal oscillator circuit
- ESR is the equivalent series resistance of the external crystal
- $R_S$  is the series resistance connected between XTAL pin and external crystal for current limitation
- F is the external crystal oscillation frequency
- $C_0$  is the shunt capacitance of the external crystal
- $C_L$  is the external crystal total load capacitance.  $C_L = C_s + [C_1 * C_2 / (C_1 + C_2)]$
- $C_s$  is stray or parasitic capacitance on the pin due to any PCB traces
- $C_1, C_2$  external load capacitances on EXTAL and XTAL pins

See manufacture datasheet for external crystal component values

- When low-gain is selected, internal  $R_F$  will be selected and external  $R_F$  should not be attached.
  - When high-gain is selected, external  $R_F$  (1 M Ohm) needs to be connected for proper operation of the crystal. For external resistor, up to 5% tolerance is allowed.
- $R_S$  should be selected carefully to have appropriate oscillation amplitude for both protecting crystal or resonator device and satisfying proper oscillation startup condition.
- The EXTAL and XTAL pins should only be connected to required oscillator components and must not be connected to any other devices.
- Minimum value is shown as a reference only, however the HW design needs to ensure it reaches the maximum value by following the guidelines given in above notes (notes 1, 2, and 3) and performs the required robustness testing at the application level. During testing, a low capacitance probe (< 5 pF) must be used to avoid any decrease in the  $V_{pp\_EXTAL}$  value.

## 6.2.2 External System Oscillator frequency specifications

**Table 28. External System Oscillator frequency specifications**

Symbol	Description	Min.		Typ.		Max.		Unit	Notes
		S32K14x/ S32K14xW	S32K11x	S32K14x/ S32K14xW	S32K11x	S32K14x/ S32K14xW	S32K11x		
f <sub>osc_hi</sub>	Oscillator crystal or resonator frequency	4		—		40 <sup>1, 2</sup>		MHz	
f <sub>ec_extal</sub>	Input clock frequency (external clock mode)	—		—		50	48	MHz	3, 2, 4
t <sub>dc_extal</sub>	Input clock duty cycle (external clock mode)	48		50		52		%	3, 2, 4
t <sub>cst</sub>	Crystal Start-up Time							ms	5
	8 MHz low-gain mode (HGO=0)	—		1.5		—			
	8 MHz high-gain mode (HGO=1)	—		2.5		—			
	40 MHz low-gain mode (HGO=0)	—		2		—			
	40 MHz high-gain mode (HGO=1)	—		2		—			

- For an ideal clock of 40 MHz, if permitted by application requirements, an error of +/- 5% is supported with 50% duty cycle.
- (S32K14xW) At 40 MHz to 36 MHz when sourcing for ADC clock please use divider ADCn.ADC\_CFG1[ADICLK] to ½ or lower for the specific ADC instance. This will help achieve duty cycle requirement. For 36 MHz and 32 MHz 45-55% or better duty cycle to be maintained. For frequencies lower than 32 MHz, please maintain duty cycle of 40-50% or better.
- S32K1xx : Frequencies below 40 MHz can be used for degraded duty cycle upto 40-60%. When using for ADC clock further restrictions apply. At 50 MHz to 45 MHz when sourcing for ADC clock please use divider ADCn.ADC\_CFG1[ADICLK] to ½ or lower for the specific ADC instance. This will help achieve duty cycle requirement. for 45 MHz and 41 MHz 45-55% or higher duty cycle should be maintained.
- (S32K14xW) The limits to source ADC clock are 40 MHz, so in cases the input clock is higher than 40 MHz, it cannot be used as a source of ADC clock.
- Proper PC board layout procedures must be followed to achieve specifications.

## System Clock Generation (SCG) specifications

## 6.2.3 System Clock Generation (SCG) specifications

## 6.2.3.1 Fast internal RC Oscillator (FIRC) electrical specifications

Table 29. Fast internal RC Oscillator electrical specifications for S32K1xx series

Symbol	Parameter <sup>1</sup>	Value			Unit
		Min.	Typ.	Max.	
$F_{\text{FIRC}}$	FIRC target frequency	—	48	—	MHz
$\Delta F$	Frequency deviation across process, voltage, and temperature < 105°C	—	±0.5	±1	% $F_{\text{FIRC}}$
$\Delta F_{125}$	Frequency deviation across process, voltage, and temperature < 125°C	—	±0.5	±1.1	% $F_{\text{FIRC}}$
$T_{\text{Startup}}$	Startup time		3.4	5	$\mu\text{s}^2$
$T_{\text{JIT}}^3$	Cycle-to-Cycle jitter	—	300	500	ps
$T_{\text{JIT}}^3$	Long term jitter over 1000 cycles	—	0.04	0.1	% $F_{\text{FIRC}}$

1. With FIRC regulator enable
2. Startup time is defined as the time between clock enablement and clock availability for system use.
3. FIRC as system clock

Table 30. Fast internal RC Oscillator electrical specifications for S32K14xW series

Symbol	Parameter <sup>1</sup>	Value			Unit
		Min.	Typ.	Max.	
$F_{\text{FIRC}}$	FIRC target frequency	—	48	—	MHz
$\Delta F$	Frequency deviation across process, voltage, and temperature	—	±0.5	±1.4	% $F_{\text{FIRC}}$
$T_{\text{Startup}}$	Startup time		3.4	5	$\mu\text{s}^2$
$T_{\text{JIT}}^3$	Cycle-to-Cycle jitter	—	300	500	ps
$T_{\text{JIT}}^3$	Long term jitter over 1000 cycles	—	0.04	0.1	% $F_{\text{FIRC}}$

1. With FIRC regulator enable
2. Startup time is defined as the time between clock enablement and clock availability for system use.
3. FIRC as system clock

**NOTE**

Fast internal RC oscillator is compliant with LIN when device is used as a slave node.

### 6.2.3.2 Slow internal RC oscillator (SIRC) electrical specifications

**Table 31. Slow internal RC oscillator (SIRC) electrical specifications for S32K1xx series**

Symbol	Parameter	Value			Unit
		Min.	Typ.	Max.	
$F_{SIRC}$	SIRC target frequency	—	8	—	MHz
$\Delta F$	Frequency deviation across process, voltage, and temperature < 105°C	—	—	±3	% $F_{SIRC}$
$\Delta F_{125}$	Frequency deviation across process, voltage, and temperature < 125°C	—	—	±3.3	% $F_{SIRC}$
$T_{Startup}$	Startup time	—	9	12.5	$\mu s^1$

1. Startup time is defined as the time between clock enablement and clock availability for system use.

**Table 32. Slow internal RC oscillator (SIRC) electrical specifications for S32K14xW series**

Symbol	Parameter	Value			Unit
		Min.	Typ.	Max.	
$F_{SIRC}$	SIRC target frequency	—	8	—	MHz
$\Delta F$	Frequency deviation across process, voltage, and temperature	—	—	±3.3	% $F_{SIRC}$
$T_{Startup}$	Startup time	—	9	12.5	$\mu s^1$

1. Startup time is defined as the time between clock enablement and clock availability for system use.

### 6.2.4 Low Power Oscillator (LPO) electrical specifications

**Table 33. Low Power Oscillator (LPO) electrical specifications**

Symbol	Parameter	Value				Unit
		Min.	Typ.	Max.		
		S32K1xx/ S32K14xW	S32K1xx/ S32K14xW	S32K1xx	S32K14xW	
$F_{LPO}$	Internal low power oscillator frequency	113	128	139	141	kHz
$T_{startup}$	Startup Time	—	—	20		$\mu s$

## Memory and memory interfaces

## 6.2.5 SPLL electrical specifications

Table 34. SPLL electrical specifications

Symbol	Parameter	Min.	Typ.	Max.		Unit
		S32K1xx/ S32K14xW	S32K1xx/ S32K14xW	S32K1xx	S32K14xW	
F <sub>SPLL_REF</sub> <sup>1</sup>	PLL Reference Frequency Range	8	—	16		MHz
F <sub>SPLL_Input</sub> <sup>2</sup>	PLL Input Frequency	8	—	40	48	MHz
F <sub>VCO_CLK</sub>	VCO output frequency	180	—	320		MHz
F <sub>SPLL_CLK</sub>	PLL output frequency	90	—	160		MHz
J <sub>CYC_SPLL</sub>	PLL Period Jitter (RMS) <sup>3</sup>					
	at F <sub>VCO_CLK</sub> 180 MHz	—	120	—		ps
	at F <sub>VCO_CLK</sub> 320 MHz	—	75	—		ps
J <sub>ACC_SPLL</sub>	PLL accumulated jitter over 1μs (RMS) <sup>3</sup>					
	at F <sub>VCO_CLK</sub> 180 MHz	—	—	1350 <sup>4</sup>		ps
	at F <sub>VCO_CLK</sub> 320 MHz	—	—	600 <sup>4</sup>		ps
D <sub>UNL</sub>	Lock exit frequency tolerance	± 4.47	—	± 5.97		%
T <sub>SPLL_LOCK</sub>	Lock detector detection time <sup>5</sup>	—	—	150 × 10 <sup>-6</sup> + 1075(1/F <sub>SPLL_REF</sub> )		s

1. F<sub>SPLL\_REF</sub> is PLL reference frequency range after the PREDIV. For PREDIV and MULT settings refer SCG\_SPLLCFG register of Reference Manual.
2. F<sub>SPLL\_Input</sub> is PLL input frequency range before the PREDIV must be limited to the range 8 MHz to 40 MHz. This input source could be derived from a crystal oscillator or some other external square wave clock source using OSC bypass mode. For external clock source settings refer SCG\_SOSCCFG register of Reference Manual.
3. This specification was obtained using a NXP developed PCB. PLL jitter is dependent on the noise characteristics of each PCB and results will vary
4. The behavior of the accumulated PLL jitter saturates over 1us.
5. Lock detector detection time is defined as the time between PLL enablement and clock availability for system use.

## 6.3 Memory and memory interfaces

## 6.3.1 Flash memory module (FTFC/FTFM) electrical specifications

This section describes the electrical characteristics of the flash memory module.

## 6.3.1.1 Flash timing specifications — commands

Table 35. Flash command timing specifications for S32K14x series

Symbol	Description <sup>1</sup>	S32K142		S32K144		S32K146		S32K148		Unit	Notes
		Typ	Max	Typ	Max	Typ	Max	Typ	Max		
t <sub>rd1blk</sub>	Read 1 Block execution time	32 KB flash	—	—	—	—	—	—	—	ms	

Table continues on the next page...

**Table 35. Flash command timing specifications for S32K14x series (continued)**

Symbol	Description <sup>1</sup>		S32K142		S32K144		S32K146		S32K148		Unit	Notes
			Typ	Max	Typ	Max	Typ	Max	Typ	Max		
		64 KB flash	—	0.5	—	0.5	—	0.5	—	—		
		128 KB flash	—	—	—	—	—	—	—	—		
		256 KB flash	—	2	—	—	—	—	—	—		
		512 KB flash	—	—	—	1.8	—	2	—	2		
t <sub>rd1sec</sub>	Read 1 Section execution time	2 KB flash	—	75	—	75	—	75	—	75	μs	
		4 KB flash	—	100	—	100	—	100	—	100		
t <sub>pgmchk</sub>	Program Check execution time	—	—	95	—	95	—	95	—	100	μs	
t <sub>pgm8</sub>	Program Phrase execution time	—	90	225	90	225	90	225	90	225	μs	
t <sub>ersblk</sub>	Erase Flash Block execution time	32 KB flash	—	—	—	—	—	—	—	—	ms	2
		64 KB flash	30	550	30	550	30	550	—	—		
		128 KB flash	—	—	—	—	—	—	—	—		
		256 KB flash	250	2125	—	—	—	—	—	—		
		512 KB flash	—	—	250	4250	250	4250	250	4250		
t <sub>ersscr</sub>	Erase Flash Sector execution time	—	12	130	12	130	12	130	12	130	ms	2
t <sub>pgmsec1k</sub>	Program Section execution time (1KB flash)	—	5	—	5	—	5	—	5	—	ms	
t <sub>rd1all</sub>	Read 1s All Block execution time	—	—	2.8	—	2.3	—	5.2	—	8.2	ms	
t <sub>rdonce</sub>	Read Once execution time	—	—	30	—	30	—	30	—	30	μs	
t <sub>pgmonce</sub>	Program Once execution time	—	90	—	90	—	90	—	90	—	μs	
t <sub>ersall</sub>	Erase All Blocks execution time	—	250	2800	400	4900	700	10000	1400	17000	ms	2
t <sub>vykey</sub>	Verify Backdoor Access Key execution time	—	—	35	—	35	—	35	—	35	μs	
t <sub>ersallu</sub>	Erase All Blocks Unsecure execution time	—	250	2800	400	4900	700	10000	1400	17000	ms	2
t <sub>pgmpart</sub>	Program Partition for EEPROM execution time	32 KB EEPROM backup	70	—	70	—	70	—	—	—	ms	3
		64 KB EEPROM backup	71	—	71	—	71	—	150	—		

Table continues on the next page...

## Memory and memory interfaces

Table 35. Flash command timing specifications for S32K14x series (continued)

Symbol	Description <sup>1</sup>		S32K142		S32K144		S32K146		S32K148		Unit	Notes
			Typ	Max	Typ	Max	Typ	Max	Typ	Max		
t <sub>setram</sub>	Set FlexRAM Function execution time	Control Code 0xFF	0.08	—	0.08	—	0.08	—	0.08	—	ms	3
		32 KB EEPROM backup	0.8	1.2	0.8	1.2	0.8	1.2	—	—		
		48 KB EEPROM backup	1	1.5	1	1.5	1	1.5	—	—		
		64 KB EEPROM backup	1.3	1.9	1.3	1.9	1.3	1.9	1.3	1.9		
t <sub>eevr8b</sub>	Byte write to FlexRAM execution time	32 KB EEPROM backup	385	1700	385	1700	385	1700	—	—	μs	3·4
		48 KB EEPROM backup	430	1850	430	1850	430	1850	—	—		
		64 KB EEPROM backup	475	2000	475	2000	475	2000	475	4000		
t <sub>eevr16b</sub>	16-bit write to FlexRAM execution time	32 KB EEPROM backup	385	1700	385	1700	385	1700	—	—	μs	3·4
		48 KB EEPROM backup	430	1850	430	1850	430	1850	—	—		
		64 KB EEPROM backup	475	2000	475	2000	475	2000	475	4000		
t <sub>eevr32bers</sub>	32-bit write to erased FlexRAM location execution time	—	360	2000	360	2000	360	2000	360	2000	μs	
t <sub>eevr32b</sub>	32-bit write to FlexRAM execution time	32 KB EEPROM backup	630	2000	630	2000	630	2000	—	—	μs	3·4
		48 KB EEPROM backup	720	2125	720	2125	720	2125	—	—		
		64 KB EEPROM backup	810	2250	810	2250	810	2250	810	4500		
t <sub>quickwr</sub>	32-bit Quick Write execution time: Time from CCIF clearing (start the write) until CCIF	1st 32-bit write	200	550	200	550	200	550	200	1100	μs	4·5·6
		2nd through Next to Last (Nth-1) 32-bit write	150	550	150	550	150	550	150	550		

Table continues on the next page...

**Table 35. Flash command timing specifications for S32K14x series (continued)**

Symbol	Description <sup>1</sup>		S32K142		S32K144		S32K146		S32K148		Unit	Notes
			Typ	Max	Typ	Max	Typ	Max	Typ	Max		
	setting (32-bit write complete, ready for next 32-bit write)	Last (Nth) 32-bit write (time for write only, not cleanup)	200	550	200	550	200	550	200	550		
t <sub>quickwrClnup</sub>	Quick Write Cleanup execution time	—	—	(# of Quick Writes) * 2.0	—	(# of Quick Writes) * 2.0	—	(# of Quick Writes) * 2.0	—	(# of Quick Writes) * 2.0	ms	7

1. All command times assumes 25 MHz or greater flash clock frequency (for synchronization time between internal/external clocks).
2. Maximum times for erase parameters based on expectations at cycling end-of-life.
3. For all EEPROM Emulation terms, the specified timing shown assumes previous record cleanup has occurred (t<sub>quickwrClnup</sub>). This may be verified by executing FCCOB Command 0x77, and checking FCCOB number 5 contents show 0x00 - No EEPROM issues detected.
4. 1st time EERAM writes after a Reset or SETRAM may incur additional overhead for EEE cleanup, resulting in up to 2x the times shown.
5. Only after the Nth write completes will any data be valid. Emulated EEPROM record scheme cleanup overhead may occur after this point even after a brownout or reset. If power on reset occurs before the Nth write completes, the last valid record set will still be valid and the new records will be discarded.
6. Quick Write times may take up to 550 μs, as additional cleanup may occur when crossing sector boundaries.
7. Time for emulated EEPROM record scheme overhead cleanup. Automatically done after last (Nth) write completes, assuming still powered. Or via SETRAM cleanup execution command is requested at a later point.

**Table 36. Flash command timing specifications**

Symbol	Description <sup>1</sup>		S32K142W		S32K144W		Unit	Notes
			Typ	Max	Typ	Max		
t <sub>rd1blk</sub>	Read 1 Block execution time	64 KB flash	—	0.8	—	0.8	ms	
		256 KB flash	—	2.5	—	—		
		512 KB flash	—	—	—	2.6		
t <sub>rd1sec</sub>	Read 1 Section execution time	2 KB flash	—	200	—	200	μs	
		4 KB flash	—	220	—	220		
t <sub>pgmchk</sub>	Program Check execution time	—	—	200	—	200	μs	
t <sub>pgm8</sub>	Program Phrase execution time	—	150	330	150	330	μs	
t <sub>ersblk</sub>	Erase Flash Block execution time	64 KB flash	100	1100	100	1100	ms	-1
		256 KB flash	350	4400	—	—		
		512 KB flash	—	—	700	8600		
t <sub>ersscr</sub>	Erase Flash Sector execution time	—	20	275	20	275	ms	-1
t <sub>pgmsec</sub>	Program Section execution time	1 KB flash	7	—	7	—	ms	
t <sub>rd1all</sub>	Read 1s All Block execution time	—	—	3.5	—	3.5	ms	

Table continues on the next page...

## Memory and memory interfaces

Table 36. Flash command timing specifications (continued)

Symbol	Description <sup>-1</sup>	S32K142W		S32K144W		Unit	Notes	
		Typ	Max	Typ	Max			
t <sub>rdonce</sub>	Read Once execution time	—	40	—	40	μs		
t <sub>pgmonce</sub>	Program Once execution time	—	150	—	150	μs		
t <sub>ersall</sub>	Erase All Blocks execution time	—	475	5550	825	9750	ms	-1
t <sub>vfykey</sub>	Verify Backdoor Access Key execution time	—	—	45	—	45	μs	
t <sub>ersallu</sub>	Erase All Blocks Unsecure execution time	—	475	5550	825	9750	ms	-1
t <sub>pgmpart</sub>	Program Partition for EEPROM execution time	32 KB EEPROM backup	98	—	98	—	ms	-1
		64 KB EEPROM backup	100	—	100	—		
t <sub>setram</sub>	Set FlexRAM Function execution time	Control Code 0xFF	0.125	0.160	0.125	0.160	ms	-1
		32 KB EEPROM backup	1.0	1.5	1.0	1.5		
		48 KB EEPROM backup	1.2	1.8	1.2	1.8		
		64 KB EEPROM backup	1.4	2.1	1.4	2.1		
t <sub>eevr32b</sub>	32-bit write to FlexRAM execution time	32 KB EEPROM backup	1250	4000	1250	4000	μs	-1 -1
		48 KB EEPROM backup	1500	4125	1500	4125		
		64 KB EEPROM backup	1700	4250	1700	4250		
t <sub>quickwr</sub>	32-bit Quick Write execution time: Time from CCIF clearing (start the write) until CCIF setting (32-bit write complete, ready for next 32-bit write)	1st 32-bit write	300	1400	300	1400	μs	-1 -1 -1
		2nd through Next to Last (Nth-1) 32-bit write	275	1000	275	1000		
		Last (Nth) 32-bit write (time for write only, not cleanup)	375	1200	375	1200		
t <sub>quickwrClnup</sub>	Quick Write Cleanup execution time	—	—	(# of Quick Writes ) * 3.6	—	(# of Quick Writes ) * 3.6	ms	-1

**Table 37. Flash command timing specifications for S32K11x series**

Symbol	Description <sup>1</sup>		S32K116		S32K118		Unit	Notes
			Typ	Max	Typ	Max		
t <sub>rd1blk</sub>	Read 1 Block execution time	32 KB flash	—	0.36	—	0.36	ms	
		64 KB flash	—	—	—	—		
		128 KB flash	—	1.2	—	—		
		256 KB flash	—	—	—	2		
		512 KB flash	—	—	—	—		
t <sub>rd1sec</sub>	Read 1 Section execution time	2 KB flash	—	75	—	75	μs	
		4 KB flash	—	100	—	100		
t <sub>pgmchk</sub>	Program Check execution time	—	—	100	—	100	μs	
t <sub>pgm8</sub>	Program Phrase execution time	—	90	225	90	225	μs	
t <sub>ersblk</sub>	Erase Flash Block execution time	32 KB flash	15	300	15	300	ms	2
		64 KB flash	—	—	—	—		
		128 KB flash	120	1100	—	—		
		256 KB flash	—	—	250	2125		
		512 KB flash	—	—	—	—		
t <sub>ersscr</sub>	Erase Flash Sector execution time	—	12	130	12	130	ms	2
t <sub>pgmsec1k</sub>	Program Section execution time (1 KB flash)	—	5	—	5	—	ms	
t <sub>rd1all</sub>	Read 1s All Block execution time	—	—	1.7	—	2.8	ms	
t <sub>rdonce</sub>	Read Once execution time	—	—	30	—	30	μs	
t <sub>pgmonce</sub>	Program Once execution time	—	90	—	90	—	μs	
t <sub>ersall</sub>	Erase All Blocks execution time	—	150	1500	230	2500	ms	2
t <sub>vfykey</sub>	Verify Backdoor Access Key execution time	—	—	35	—	35	μs	
t <sub>ersallu</sub>	Erase All Blocks Unsecure execution time	—	150	1500	230	2500	ms	2
t <sub>pgmpart</sub>	Program Partition for EEPROM execution time	32 KB EEPROM backup	71	—	71	—	ms	3
		64 KB EEPROM backup	—	—	—	—		
t <sub>setram</sub>	Set FlexRAM Function execution time	Control Code 0xFF	0.08	—	0.08	—	ms	3
		32 KB EEPROM backup	0.8	1.2	0.8	1.2		

Table continues on the next page...

## Memory and memory interfaces

Table 37. Flash command timing specifications for S32K11x series (continued)

Symbol	Description <sup>1</sup>		S32K116		S32K118		Unit	Notes
			Typ	Max	Typ	Max		
		48 KB EEPROM backup	—	—	—	—		
		64 KB EEPROM backup	—	—	—	—		
$t_{\text{eewr8b}}$	Byte write to FlexRAM execution time	32 KB EEPROM backup	385	1700	385	1700	$\mu\text{s}$	3-4
		48 KB EEPROM backup	—	—	—	—		
		64 KB EEPROM backup	—	—	—	—		
$t_{\text{eewr16b}}$	16-bit write to FlexRAM execution time	32 KB EEPROM backup	385	1700	385	1700	$\mu\text{s}$	3-4
		48 KB EEPROM backup	—	—	—	—		
		64 KB EEPROM backup	—	—	—	—		
$t_{\text{eewr32bers}}$	32-bit write to erased FlexRAM location execution time	—	360	2000	360	2000	$\mu\text{s}$	
$t_{\text{eewr32b}}$	32-bit write to FlexRAM execution time	32 KB EEPROM backup	630	2000	630	2000	$\mu\text{s}$	3-4
		48 KB EEPROM backup	—	—	—	—		
		64 KB EEPROM backup	—	—	—	—		
$t_{\text{quickwr}}$	32-bit Quick Write execution time: Time from CCIF clearing (start the write) until CCIF setting (32-bit write complete, ready for next 32-bit write)	1st 32-bit write	200	550	200	550	$\mu\text{s}$	4-5-6
		2nd through Next to Last (Nth-1) 32-bit write	150	550	150	550		
		Last (Nth) 32-bit write (time for write only, not cleanup)	200	550	200	550		
$t_{\text{quickwrClnup}}$	Quick Write Cleanup execution time	—	—	(# of Quick Writes) * 2.0	—	(# of Quick Writes) * 2.0	ms	7

- All command times assume 25 MHz or greater flash clock frequency (for synchronization time between internal/external clocks).
- Maximum times for erase parameters based on expectations at cycling end-of-life.
- For all EEPROM Emulation terms, the specified timing shown assumes previous record cleanup has occurred. This may be verified by executing FCCOB Command 0x77, and checking FCCOB number 5 contents show 0x00 - No EEPROM issues detected.
- 1st time EERAM writes after a Reset or SETRAM may incur additional overhead for EEE cleanup, resulting in up to 2x the times shown.
- Only after the Nth write completes will any data be valid. Emulated EEPROM record scheme cleanup overhead may occur after this point even after a brownout or reset. If power on reset occurs before the Nth write completes, the last valid record set will still be valid and the new records will be discarded.

6. Quick Write times may take up to 550  $\mu$ s, as additional cleanup may occur when crossing sector boundaries.
7. Time for emulated EEPROM record scheme overhead cleanup. Automatically done after last (Nth) write completes, assuming still powered. Or via SETRAM cleanup execution command is requested at a later point.

### NOTE

Under certain circumstances FlexMEM maximum times may be exceeded. In this case the user or application may wait, or assert reset to the FTFC/FTFM macro to stop the operation.

#### 6.3.1.2 Reliability specifications

Table 38. NVM reliability specifications

Symbol	Description	Min.	Typ.	Max.	Unit	Notes
When using as Program and Data Flash						
$t_{nvmretp1k}$	Data retention after up to 1 K cycles	20	—	—	years	1
$n_{nvmcycp}$	Cycling endurance	1 K	—	—	cycles	2, 3
When using FlexMemory feature : FlexRAM as Emulated EEPROM						
$t_{nvmretee100}$	Data retention up to 100% of write endurance	5	—	—	years	1, 4
$t_{nvmretee10}$	Data retention up to 10% of write endurance	20	—	—	years	1
$n_{nvmwree16}$	Write endurance <ul style="list-style-type: none"> <li>• EEPROM backup to FlexRAM ratio = 16</li> </ul>	100 K	—	—	writes	5, 6, 7
$n_{nvmwree256}$	<ul style="list-style-type: none"> <li>• EEPROM backup to FlexRAM ratio = 256</li> </ul>	1.6 M	—	—	writes	

1. Data retention period per block begins upon initial user factory programming or after each subsequent erase.
2. Program and Erase for PFlash and DFlash are supported across product temperature specification.
3. Cycling endurance is per DFlash or PFlash Sector.
4. Background maintenance operations during normal FlexRAM usage extend effective data retention life beyond 5 years.
5. FlexMemory write endurance specified for 32-bit writes to FlexRAM and is supported across product temperature specification. Greater write endurance may be achieved with larger ratios of EEPROM backup to FlexRAM.
6. For usage of any emulated EEPROM driver other than the FlexMemory feature, the endurance spec will fall back to the specified endurance value of the DFlash specification (1K).
7. [FlexMemory calculator tool](#) is available at NXP web site for help in estimation of the maximum write endurance achievable at specific EEPROM/FlexRAM ratios. The "In Spec" portions of the online calculator refer to the NVM reliability specifications section of data sheet. This calculator only applies to the FlexMemory feature.

#### 6.3.2 QuadSPI AC specifications

The following table describes the QuadSPI electrical characteristics.

- Measurements are with maximum output load of 25 pF, input transition of 1 ns and pad configured with fastest slew settings (DSE = 1'b1).
- I/O operating voltage ranges from 2.97 V to 3.6 V
- While doing the mode transition (RUN -> HSRUN or HSRUN -> RUN ), the interface should be OFF.
- Add 50 ohm series termination on board in QuadSPI SCK for Flash A to avoid loop back reflection when using in Internal DQS (PAD Loopback) mode.
- QuadSPI trace length should be 3 inches.

**Memory and memory interfaces**

- For non-Quad mode of operation if external device doesn't have pull-up feature, external pull-up needs to be added at board level for non-used pads.
- With external pull-up, performance of the interface may degrade based on load associated with external pull-up.

**Table 39. QuadSPI electrical specifications**

FLASH PORT	Sym	Unit	FLASH A											FLASH B				
			RUN <sup>1</sup>						HSRUN <sup>1</sup>					RUN/HSRUN <sup>2</sup>				
			SDR						SDR					SDR		DDR <sup>3</sup>		
			Internal Sampling		Internal DQS				Internal Sampling		Internal DQS			Internal Sampling		External DQS		
			N1		PAD Loopback		Internal Loopback		N1		PAD Loopback		Internal Loopback	N1		External DQS		
			Min	Max	Min	Max	Min	Max	Min	Max	Min	Max	Min	Max	Min	Max	Min	Max
Register Settings																		
MCR[DDR_EN]		-	0	0	0	0	0	0	0	0	0	0	0	0	1			
MCR[DQS_EN]		-	0	1	1	0	1	1	0	1	1	0	1	0	1			
MCR[SCLKCFG[0]]		-	-	1	0	-	1	0	-	1	0	-	-	-	-			
MCR[SCLKCFG[1]]		-	-	1	0	-	1	0	-	1	0	-	-	-	-			
MCR[SCLKCFG[2]]		-	-	-	-	-	-	-	-	-	-	-	-	-	0			
MCR[SCLKCFG[3]]		-	-	-	-	-	-	-	-	-	-	-	-	-	0			
MCR[SCLKCFG[5]]		-	0	0	0	0	0	0	0	0	0	0	0	0	1			
SMPR[FSPHS]		-	0	1	0	0	1	0	0	1	0	0	0	0	0			
SMPR[FSDLY]		-	0	0	0	0	0	0	0	0	0	0	0	0	0			
SOCCR [SOCCFG[7:0]]			-	0	23	-	0	30	-	0	30	-	-	-	-			
SOCCR[SOCCFG[15:8]]		-	-	-	-	-	-	-	-	-	-	-	-	-	30			
FLSHCR[TDH]		-	0x00	0x00	0x00	0x00	0x00	0x00	0x00	0x00	0x00	0x00	0x00	0x00	0x01			
Timing Parameters																		
SCK Clock Frequency	f <sub>SCK</sub>	MHz	-	38	-	64	-	48	-	40	-	80	-	50	-	20	-	20 <sup>4</sup>
SCK Clock Period	t <sub>SCK</sub>	ns	1/KSCK	-	1/KSCK	-	1/KSCK	-	1/KSCK	-	1/KSCK	-	1/KSCK	-	50.0	-	50.0 <sup>4</sup>	-

Table continues on the next page...

**Table 39. QuadSPI electrical specifications (continued)**

FLASH PORT	Sym	Unit	FLASH A												FLASH B			
			RUN <sup>1</sup>						HSRUN <sup>1</sup>						RUN/HSRUN <sup>2</sup>			
			SDR						SDR						SDR		DDR <sup>3</sup>	
			Internal Sampling		Internal DQS				Internal Sampling		Internal DQS				Internal Sampling		External DQS	
			N1		PAD Loopback		Internal Loopback		N1		PAD Loopback		Internal Loopback		N1		External DQS	
			Min	Max	Min	Max	Min	Max	Min	Max	Min	Max	Min	Max	Min	Max	Min	Max
SCK Duty Cycle	t <sub>SDC</sub>	ns	t <sub>SCK/2</sub> - 1.5	t <sub>SCK/2</sub> + 1.5	t <sub>SCK/2</sub> - 1.5	t <sub>SCK/2</sub> + 1.5	t <sub>SCK/2</sub> - 1.5	t <sub>SCK/2</sub> + 1.5	t <sub>SCK/2</sub> - 1.5	t <sub>SCK/2</sub> + 1.5	t <sub>SCK/2</sub> - 0.750	t <sub>SCK/2</sub> - 0.750	t <sub>SCK/2</sub> - 1.5	t <sub>SCK/2</sub> + 1.5	t <sub>SCK/2</sub> - 2.5	t <sub>SCK/2</sub> + 2.5	t <sub>SCK/2</sub> - 2.5	t <sub>SCK/2</sub> + 2.5
Data Input Setup Time	t <sub>IS</sub>	ns	15	-	2.5	-	10	-	14	-	1.6	-	9	-	25	-	2	-
Data Input Hold Time	t <sub>IH</sub>	ns	0	-	1	-	1	-	0	-	1	-	1	-	0	-	20	-
Data Output Valid Time	t <sub>OV</sub>	ns	-	4.5	-	4.5	-	4.5	-	4	-	4	-	4	-	10	-	10
Data Output In-Valid Time	t <sub>IV</sub>	ns	-	5	-	5	-	5	-	5	-	3 <sup>5</sup>	-	5	-	5	-	5
CS to SCK Time <sup>6</sup>	t <sub>CS SCK</sub>	ns	5	-	5	-	5	-	5	-	5	-	5	-	10	-	10	-
SCK to CS Time <sup>7</sup>	t <sub>SCK CS</sub>	ns	5	-	5	-	5	-	5	-	5	-	5	-	5	-	5	-
Output Load		pf	25		25		25		25		25		25		25		25	

1. See Reference Manual for details on mode settings
2. See Reference Manual for details on mode settings
3. Valid for HyperRAM only
4. RWDS(External DQS CLK) frequency
5. For operating frequency ≤ 64 Mhz, Output invalid time is 5 ns.
6. Program register value QuadSPI\_FLSHCR[TCSS] = 4'h2
7. Program register value QuadSPI\_FLSHCR[TCSH] = 4'h1

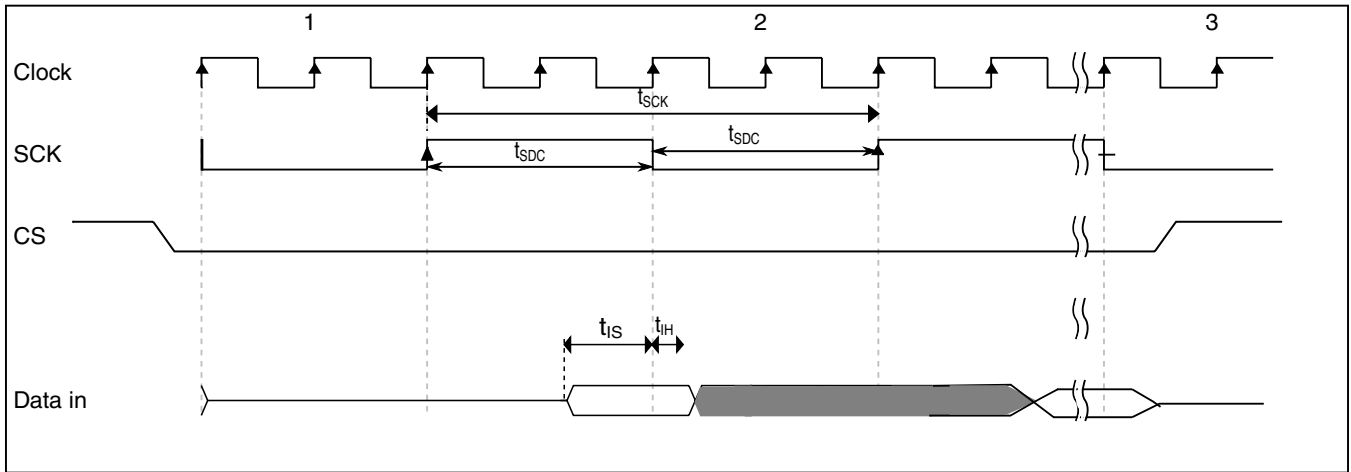


Figure 10. QuadSPI input timing (SDR mode) diagram



Figure 11. QuadSPI output timing (SDR mode) diagram



TIS – Setup Time

TIH – Hold Time

Figure 12. QuadSPI input timing (HyperRAM mode) diagram

## Analog modules

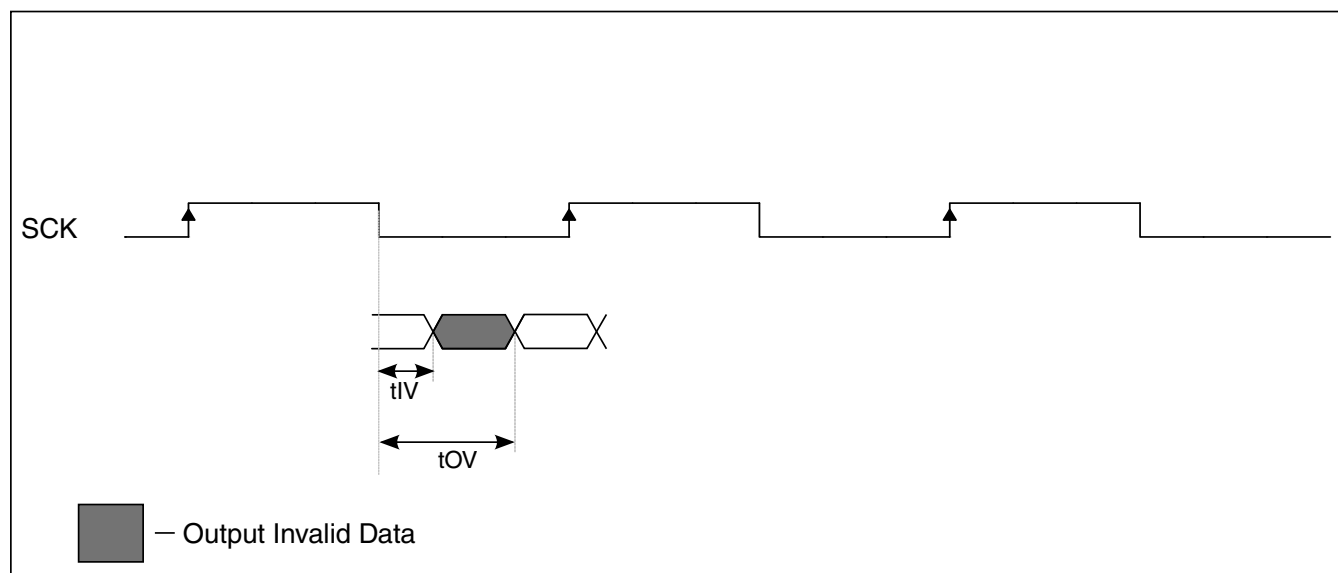


Figure 13. QuadSPI output timing (HyperRAM mode) diagram

## 6.4 Analog modules

### 6.4.1 ADC electrical specifications

#### 6.4.1.1 12-bit ADC operating conditions

**Table 40. 12-bit ADC operating conditions<sup>1</sup>**

Symbol	Description	Conditions	Min.	Typ. <sup>2</sup>	Max.		Unit	Notes
			S32K1xx/ S32K14xW	S32K1xx/ S32K14xW	S32K1xx	S32K14xW		
V <sub>REFH</sub>	ADC reference voltage high		See <a href="#">Voltage and current operating requirements</a> for values	V <sub>DDA</sub>	See <a href="#">Voltage and current operating requirements</a> for values		V	3
V <sub>REFL</sub>	ADC reference voltage low		See <a href="#">Voltage and current operating requirements</a> for values	0	See <a href="#">Voltage and current operating requirements</a> for values		mV	3
V <sub>ADIN</sub>	Input voltage		V <sub>REFL</sub>	—	V <sub>REFH</sub>		V	
R <sub>S</sub>	Source impedence	f <sub>ADCK</sub> < 4 MHz	—	—	5		kΩ	
R <sub>SW1</sub>	Channel Selection Switch Impedance		—	0.650	0.780		kΩ	
R <sub>AD</sub>	Sampling Switch Impedance		—	0.155	1.0		kΩ	
C <sub>P1</sub>	Pin Capacitance		—	2.1	2.5		pF	
C <sub>P2</sub>	Analog Bus Capacitance		—	3 (S32K144) 2 (S32K116)	4		pF	
C <sub>S</sub>	Sampling capacitance		—	5.1 (gain = 0)... 7.2 (gain = max)	6.36 (gain = 0)... 9.36 (gain = max)		pF	
f <sub>ADCK</sub>	ADC conversion clock frequency	Normal usage	2	40	50	40	MHz	4, 5
f <sub>CONV</sub>	ADC conversion frequency	No ADC hardware averaging. <sup>6</sup> Continuous conversions enabled, subsequent conversion time	46.4	928	1160		Ksps	7, 8
		ADC hardware averaging set to 32. <sup>6</sup> Continuous conversions enabled, subsequent conversion time	1.45	29	36.25		Ksps	7, 8
	ADC power consumption		—	1.0	1.1 <sup>9</sup>		pF	

1. All the data mention in this table is only validated in a simulation and granted by NXP design team.

2. Typical values assume  $V_{DDA} = 5\text{ V}$ ,  $\text{Temp} = 25\text{ }^{\circ}\text{C}$ ,  $f_{\text{ADCK}} = 40\text{ MHz}$ ,  $R_{\text{AS}} = 20\text{ }\Omega$ , and  $C_{\text{AS}} = 10\text{ nF}$  unless otherwise stated. Typical values are for reference only, and are not tested in production.
3. For packages without dedicated  $V_{\text{REFH}}$  and  $V_{\text{REFL}}$  pins,  $V_{\text{REFH}}$  is internally tied to  $V_{\text{DDA}}$ , and  $V_{\text{REFL}}$  is internally tied to  $V_{\text{SS}}$ . To get maximum performance, reference supply quality should be better than SAR ADC. See application note [AN5032](#) for details.
4. Clock and compare cycle need to be set according to the guidelines mentioned in the *Reference Manual*.
5. ADC conversion will become less reliable above maximum frequency.
6. When using ADC hardware averaging, see the *Reference Manual* to determine the most appropriate setting for AVGS.
7. Numbers based on the minimum sampling time of 275 ns.
8. For guidelines and examples of conversion rate calculation, see the *Reference Manual* section 'Calibration function'
9. Configuration used during the test to obtain this value is:
  - $V_{\text{DD}} = V_{\text{DDA}} = V_{\text{REFH}} = 2.5\text{ V}, 2.7\text{ V}, 3\text{ V}, 5.5\text{ V}$ , (externally forced)
  - $\text{BUS CLK} = 48\text{ MHz}$ ,  $\text{ADC CLK} = 48\text{ MHz}$  (FIRC Used),  $\text{Calibration CLK} = 24\text{ MHz}$ ,  $\text{Sample Time} = 14\text{ Cyc}$ ,  $\text{Averaging} = 32$
  - $\text{Resolution} = 12\text{ bit}$
  - $\text{Conversion Mode: Continuous Conversion}$
  - $\text{Channel: ADC0\_SE1}$
  - $\text{Temperatures: } -40\text{C}, 25\text{C}, 135\text{C}$

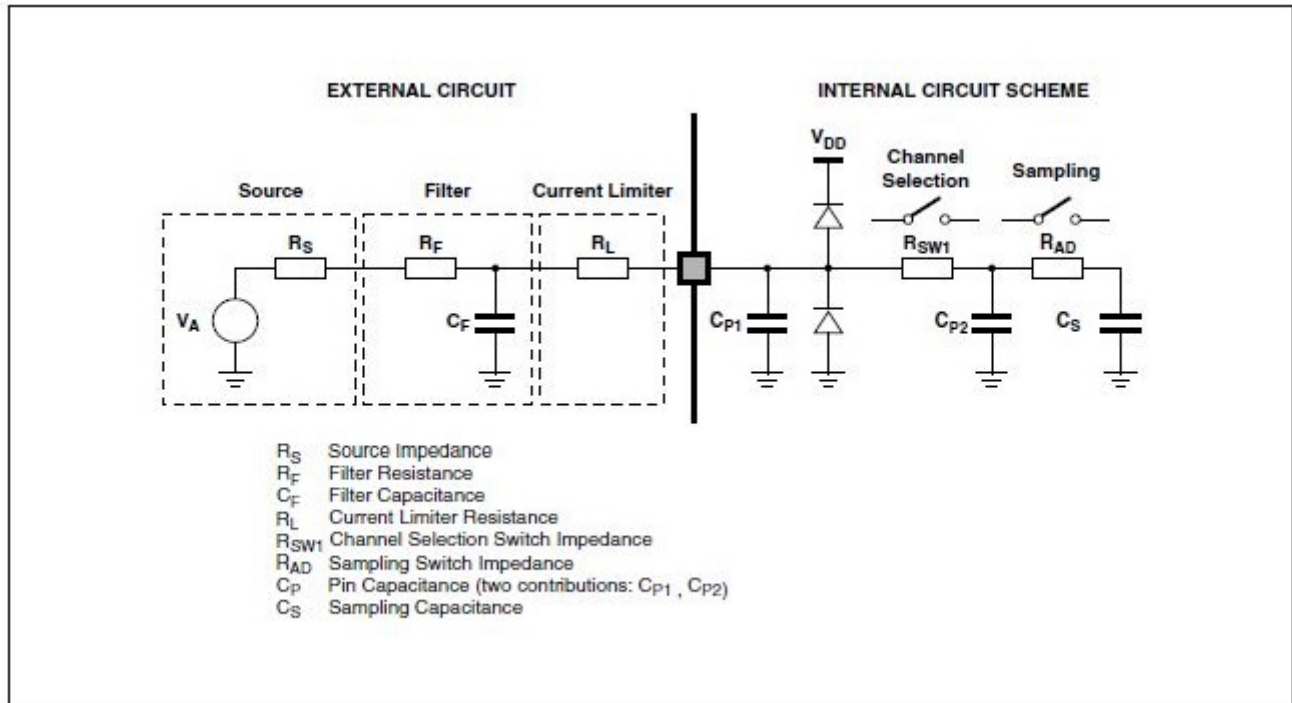


Figure 14. ADC input impedance equivalency diagram

#### 6.4.1.2 12-bit ADC electrical characteristics

##### NOTE

- ADC performance specifications are documented using a single ADC. For parallel/simultaneous operation of both ADCs, either for sampling the same channel by both ADCs or for sampling different channels by each ADC, some amount of decrease in performance can be expected. Care must be taken to stagger the two ADC conversions, in particular the sample phase, to minimize the impact of simultaneous conversions.
- On reduced pin packages where ADC reference pins are shared with supply pins, ADC analog performance characteristics may be impacted. The amount of variation will be directly impacted by the external PCB layout and hence care must be taken with PCB routing. See [AN5426](#) for details
- All accuracy numbers assume the ADC is calibrated with  $V_{REFH}=V_{DDA}=V_{DD}$ , with the calibration frequency set to less than or equal to half of the maximum specified ADC clock frequency.

ADC electrical specifications

**Table 41. 12-bit ADC characteristics (2.7 V to 3 V) ( $V_{REFH} = V_{DDA}$ ,  $V_{REFL} = V_{SS}$ ) 1**

Symbol	Description	Min.	Typ. <sup>2</sup>	Max.	Unit	Notes
$V_{DDA}$	Supply voltage	2.7	—	3	V	
$I_{DDA\_ADC}$	Supply current per ADC	—	0.6	—	mA	3
SMPLTS	Sample Time	275	—	Refer to the <i>Reference Manual</i>	ns	
TUE <sup>4</sup>	Total unadjusted error	—	±4	±8	LSB <sup>5</sup>	6, 7, 8, 9
DNL	Differential non-linearity	—	±1.0	—	LSB <sup>5</sup>	6, 7, 8, 9
INL	Integral non-linearity	—	±2.0	—	LSB <sup>5</sup>	6, 7, 8, 9

1. This table is not applicable to S32K14xW.
2. Typical values assume  $V_{DDA} = 3\text{ V}$ ,  $\text{Temp} = 25\text{ }^\circ\text{C}$ ,  $f_{ADCK} = 40\text{ MHz}$ ,  $R_{AS}=20\text{ }\Omega$ , and  $C_{AS}=10\text{ nF}$ .
3. The ADC supply current depends on the ADC conversion rate.
4. Represents total static error, which includes offset and full scale error.
5.  $1\text{ LSB} = (V_{REFH} - V_{REFL})/2^N$
6. The specifications are with averaging and in standalone mode only. Performance may degrade depending upon device use case scenario. When using ADC averaging, refer to the *Reference Manual* to determine the most appropriate settings for AVGS.
7. For ADC signals adjacent to  $V_{DD}/V_{SS}$  or XTAL/EXTAL or high frequency switching pins, some degradation in the ADC performance may be observed.
8. All values guarantee the performance of the ADC for multiple ADC input channel pins. When using ADC to monitor the internal analog parameters, assume minor degradation.
9. All the parameters in the table are given assuming system clock as the clocking source for ADC.

**Table 42. 12-bit ADC characteristics (3 V to 5.5 V)( $V_{REFH} = V_{DDA}$ ,  $V_{REFL} = V_{SS}$ )**

Symbol	Description	Min.		Typ. <sup>1</sup>	Max.	Unit	Notes
		S32K1xx	S32K14xW	S32K1xx/ S32K14xW	S32K1xx/ S32K14xW		
$V_{DDA}$	Supply voltage	3	3.13	—	5.5	V	
$I_{DDA\_ADC}$	Supply current per ADC	—		1	—	mA	2
SMPLTS	Sample Time	275		—	Refer to the <i>Reference Manual</i>	ns	
TUE <sup>3</sup>	Total unadjusted error	—		±4	±8	LSB <sup>4</sup>	5, 6, 7, 8
DNL	Differential non-linearity	—		±0.7	—	LSB <sup>4</sup>	5, 6, 7, 8
INL	Integral non-linearity	—		±1.0	—	LSB <sup>4</sup>	5, 6, 7, 8

1. Typical values assume  $V_{DDA} = 5.0\text{ V}$ ,  $\text{Temp} = 25\text{ }^\circ\text{C}$ ,  $f_{ADCK} = 40\text{ MHz}$ ,  $R_{AS}=20\text{ }\Omega$ , and  $C_{AS}=10\text{ nF}$  unless otherwise stated.
2. The ADC supply current depends on the ADC conversion rate.
3. Represents total static error, which includes offset and full scale error.
4.  $1\text{ LSB} = (V_{REFH} - V_{REFL})/2^N$
5. The specifications are with averaging and in standalone mode only. Performance may degrade depending upon device use case scenario. When using ADC averaging, refer to the *Reference Manual* to determine the most appropriate settings for AVGS.
6. For ADC signals adjacent to  $V_{DD}/V_{SS}$  or XTAL/EXTAL or high frequency switching pins, some degradation in the ADC performance may be observed.
7. All values guarantee the performance of the ADC for multiple ADC input channel pins. When using ADC to monitor the internal analog parameters, assume minor degradation.
8. All the parameters in the table are given assuming system clock as the clocking source for ADC.

**NOTE**

- Due to triple bonding in lower pin packages like 32-QFN, 48-LQFP, and 64-LQFP degradation might be seen in ADC parameters.
- When using high speed interfaces such as the QuadSPI, SAI0, SAI1 or ENET there may be some ADC degradation on the adjacent analog input paths. See following table for details.

Pin name	TGATE purpose
PTE8	CMP0_IN3
PTC3	ADC0_SE11/CMP0_IN4
PTC2	ADC0_SE10/CMP0_IN5
PTD7	CMP0_IN6
PTD6	CMP0_IN7
PTD28	ADC1_SE22
PTD27	ADC1_SE21

**6.4.2 CMP with 8-bit DAC electrical specifications****Table 44. Comparator with 8-bit DAC electrical specifications for S32K1xx series**

Symbol	Description	Min.	Typ.	Max.	Unit
I <sub>DDHS</sub>	Supply current, High-speed mode <sup>1</sup>				μA
	-40 - 125 °C	—	230	300	
I <sub>DDL</sub>	Supply current, Low-speed mode <sup>1</sup>				μA
	-40 - 105 °C	—	6	11	
	-40 - 125 °C		6	13	
V <sub>AIN</sub>	Analog input voltage	0	0 - V <sub>DDA</sub>	V <sub>DDA</sub>	V
V <sub>AIO</sub>	Analog input offset voltage, High-speed mode				mV
	-40 - 125 °C	-25	±1	25	
V <sub>AIO</sub>	Analog input offset voltage, Low-speed mode				mV
	-40 - 125 °C	-40	±4	40	
t <sub>DHSB</sub>	Propagation delay, High-speed mode <sup>2</sup>				ns
	-40 - 105 °C	—	35	200	
	-40 - 125 °C		35	300	
t <sub>DL</sub>	Propagation delay, Low-speed mode <sup>2</sup>				μs
	-40 - 105 °C	—	0.5	2	
	-40 - 125 °C	—	0.5	3	
t <sub>DHSS</sub>	Propagation delay, High-speed mode <sup>3</sup>				ns
	-40 - 105 °C	—	70	400	

Table continues on the next page...

## ADC electrical specifications

**Table 44. Comparator with 8-bit DAC electrical specifications for S32K1xx series (continued)**

Symbol	Description	Min.	Typ.	Max.	Unit
	-40 - 125 °C	—	70	500	
$t_{DLSS}$	Propagation delay, Low-speed mode <sup>3</sup>				$\mu\text{s}$
	-40 - 105 °C	—	1	5	
	-40 - 125 °C	—	1	5	
$t_{IDHS}$	Initialization delay, High-speed mode <sup>4</sup>				$\mu\text{s}$
	-40 - 125 °C	—	1.5	3	
$t_{IDLS}$	Initialization delay, Low-speed mode <sup>4</sup>				$\mu\text{s}$
	-40 - 125 °C	—	10	30	
$V_{HYST0}$	Analog comparator hysteresis, Hyst0				mV
	-40 - 125 °C	—	0	—	
$V_{HYST1}$	Analog comparator hysteresis, Hyst1, High-speed mode				mV
	-40 - 125 °C	—	19	66	
	Analog comparator hysteresis, Hyst1, Low-speed mode				
	-40 - 125 °C	—	15	40	
$V_{HYST2}$	Analog comparator hysteresis, Hyst2, High-speed mode				mV
	-40 - 125 °C	—	34	133	
	Analog comparator hysteresis, Hyst2, Low-speed mode				
	-40 - 125 °C	—	23	80	
$V_{HYST3}$	Analog comparator hysteresis, Hyst3, High-speed mode				mV
	-40 - 125 °C	—	46	200	
	Analog comparator hysteresis, Hyst3, Low-speed mode				
	-40 - 125 °C	—	32	120	
$I_{DAC8b}$	8-bit DAC current adder (enabled)				
	3.3V Reference Voltage	—	6	9	$\mu\text{A}$
	5V Reference Voltage	—	10	16	$\mu\text{A}$
$INL^5$	8-bit DAC integral non-linearity	-0.75	—	0.75	LSB <sup>6</sup>
$DNL$	8-bit DAC differential non-linearity	-0.5	—	0.5	LSB <sup>6</sup>
$t_{DDAC}$	Initialization and switching settling time	—	—	30	$\mu\text{s}$

1. Difference at input > 200mV
2. Applied  $\pm (100 \text{ mV} + V_{HYST0/1/2/3} + \text{max. of } V_{AIO})$  around switch point.
3. Applied  $\pm (30 \text{ mV} + 2 \times V_{HYST0/1/2/3} + \text{max. of } V_{AIO})$  around switch point.
4. Applied  $\pm (100 \text{ mV} + V_{HYST0/1/2/3})$ .
5. Calculation method used: Linear Regression Least Square Method
6.  $1 \text{ LSB} = V_{\text{reference}}/256$

**Table 45. Comparator with 8-bit DAC electrical specifications for S32K14xW series**

Symbol	Description	Min.	Typ.	Max.	Unit
I <sub>DDHS</sub>	Supply current, High-speed mode <sup>1</sup>				μA
	-40 - 125 °C	—	230	300	
	-40 - 150 °C		230	300	
I <sub>DDL</sub>	Supply current, Low-speed mode <sup>1</sup>				μA
	-40 - 105 °C	—	6	11	
	-40 - 125 °C		6	13	
	-40 - 150 °C		6	13	
V <sub>AIN</sub>	Analog input voltage	0	0 - V <sub>DDA</sub>	V <sub>DDA</sub>	V
V <sub>AIO</sub>	Analog input offset voltage, High-speed mode				mV
	-40 - 125 °C	-25	±1	25	
	-40 - 150 °C	-50	±1	50	
V <sub>AIO</sub>	Analog input offset voltage, Low-speed mode				mV
	-40 - 125 °C	-40	±4	40	
	-40 - 150 °C	-50	±4	50	
t <sub>DHSB</sub>	Propagation delay, High-speed mode <sup>2</sup>				ns
	-40 - 105 °C	—	35	200	
	-40 - 125 °C		35	300	
	-40 - 150 °C		35	400	
t <sub>DLSB</sub>	Propagation delay, Low-speed mode <sup>2</sup>				μs
	-40 - 105 °C	—	0.5	2	
	-40 - 125 °C	—	0.5	3	
	-40 - 150 °C	—	0.5	3	
t <sub>DHSS</sub>	Propagation delay, High-speed mode <sup>3</sup>				ns
	-40 - 105 °C	—	70	400	
	-40 - 125 °C	—	70	500	
	-40 - 150 °C	—	70	600	
t <sub>DLSS</sub>	Propagation delay, Low-speed mode <sup>3</sup>				μs
	-40 - 105 °C	—	1	5	
	-40 - 125 °C	—	1	5	
	-40 - 150 °C	—	1	5	
t <sub>DHS</sub>	Initialization delay, High-speed mode <sup>4</sup>				μs
	-40 - 125 °C	—	1.5	3	
	-40 - 150 °C	—	1.5	3	
t <sub>DLS</sub>	Initialization delay, Low-speed mode <sup>4</sup>				μs
	-40 - 125 °C	—	10	30	
	-40 - 150 °C	—	10	30	
V <sub>HYST0</sub>	Analog comparator hysteresis, Hyst0				mV
	-40 - 125 °C	—	0	—	
	-40 - 150 °C	—	0	—	

Table continues on the next page...

## ADC electrical specifications

**Table 45. Comparator with 8-bit DAC electrical specifications for S32K14xW series (continued)**

Symbol	Description	Min.	Typ.	Max.	Unit
V <sub>HYST1</sub>	Analog comparator hysteresis, Hyst1, High-speed mode				mV
	-40 - 125 °C	—	19	66	
	-40 - 150 °C	—	19	90	
	Analog comparator hysteresis, Hyst1, Low-speed mode				
	-40 - 125 °C	—	15	40	
	-40 - 150 °C	—	15	40	
V <sub>HYST2</sub>	Analog comparator hysteresis, Hyst2, High-speed mode				mV
	-40 - 125 °C	—	34	133	
	-40 - 150 °C	—	34	186	
	Analog comparator hysteresis, Hyst2, Low-speed mode				
	-40 - 125 °C	—	23	80	
	-40 - 150 °C	—	23	80	
V <sub>HYST3</sub>	Analog comparator hysteresis, Hyst3, High-speed mode				mV
	-40 - 125 °C	—	46	200	
	-40 - 150 °C	—	46	280	
	Analog comparator hysteresis, Hyst3, Low-speed mode				
	-40 - 125 °C	—	32	120	
	-40 - 150 °C	—	32	120	
I <sub>DAC8b</sub>	8-bit DAC current adder (enabled)				μA
	3.3V Reference Voltage	—	6	9	
	5V Reference Voltage	—	10	16	
INL <sup>5</sup>	8-bit DAC integral non-linearity				LSB <sup>6</sup>
	-40 - 125 °C	-0.75	—	0.75	
	-40 - 150 °C	-2	—	2	
DNL	8-bit DAC differential non-linearity	-0.5	—	0.5	LSB <sup>6</sup>
t <sub>DDAC</sub>	Initialization and switching settling time	—	—	30	μs

1. Difference at input > 200mV
2. Applied ± (100 mV + V<sub>HYST0/1/2/3</sub>+ max. of V<sub>AIO</sub>) around switch point.
3. Applied ± (30 mV + 2 × V<sub>HYST0/1/2/3</sub>+ max. of V<sub>AIO</sub>) around switch point.
4. Applied ± (100 mV + V<sub>HYST0/1/2/3</sub>).
5. Calculation method used: Linear Regression Least Square Method
6. 1 LSB = V<sub>reference</sub>/256

**NOTE**

For comparator IN signals adjacent to V<sub>DD</sub>/V<sub>SS</sub> or XTAL/  
EXTAL or switching pins cross coupling may happen and

hence hysteresis settings can be used to obtain the desired comparator performance. Additionally, an external capacitor (1nF) should be used to filter noise on input signal. Also, source drive should not be weak (Signal with < 50 K pull up/down is recommended).

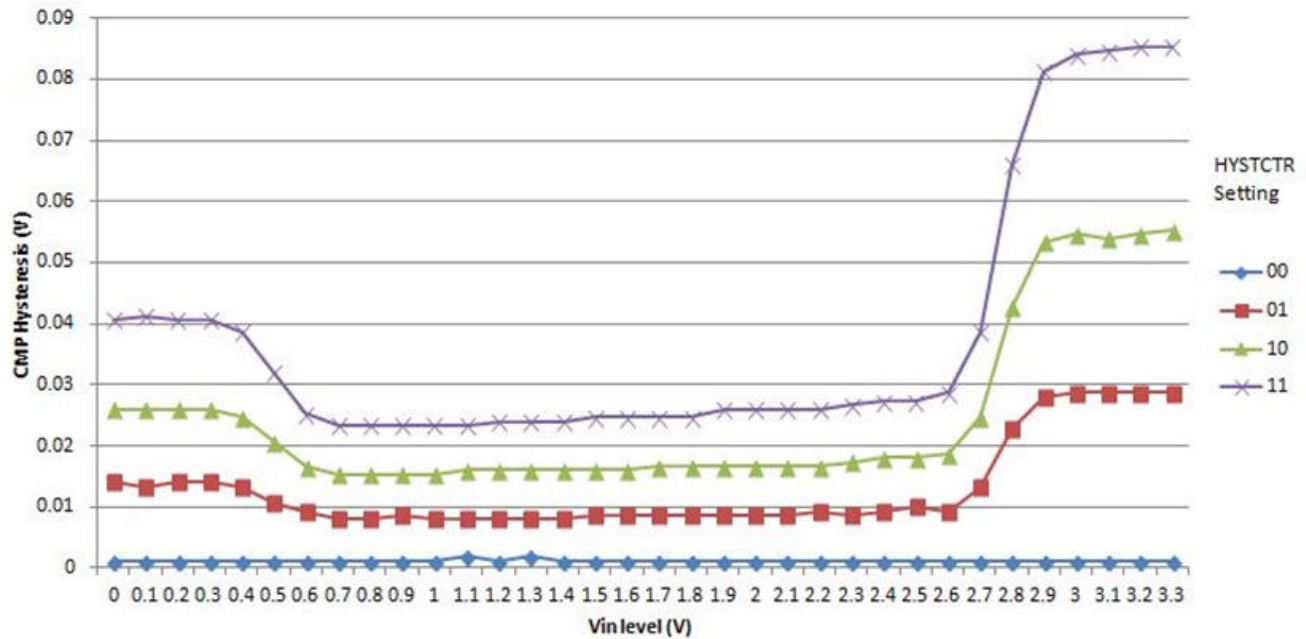


Figure 15. Typical hysteresis vs. Vin level (VDDA = 3.3 V, PMODE = 0)



Figure 16. Typical hysteresis vs. Vin level (VDDA = 3.3 V, PMODE = 1)

ADC electrical specifications



Figure 17. Typical hysteresis vs. Vin level (VDDA = 5 V, PMODE = 0)



Figure 18. Typical hysteresis vs. Vin level (VDDA = 5 V, PMODE = 1)

## 6.5 Communication modules

### 6.5.1 LPUART electrical specifications

Refer to [General AC specifications](#) for LPUART specifications.

#### 6.5.1.1 Supported baud rate

Baud rate = Baud clock / ((OSR+1) \* SBR).

For details, see section: 'Baud rate generation' of the *Reference Manual*.

### 6.5.2 LPSPI electrical specifications

The Low Power Serial Peripheral Interface (LPSPI) provides a synchronous serial bus with master and slave operations. Many of the transfer attributes are programmable. The following tables provide timing characteristics for classic LPSPI timing modes.

- All timing is shown with respect to 20%  $V_{DD}$  and 80%  $V_{DD}$  thresholds.
- All measurements are with maximum output load of 50 pF, input transition of 1 ns and pad configured with fastest slew setting (DSE = 1).

**Table 46. LPSPI electrical specifications<sup>1</sup>**

Num	Symbo _	Descripti on	Conditions	Run Mode <sup>2</sup>				HSRUN Mode <sup>2</sup>				VLPR Mode (S32K1xx)				VLPR Mode (S32K14xW)				Unit
				5.0 V IO		3.3 V IO		5.0 V IO		3.3 V IO		5.0 V IO		3.3 V IO		5.0 V IO		3.3 V IO		
				Min	Max	Min	Max	Min	Max	Min	Max	Min	Max	Min	Max	Min	Max	Min	Max	
	f <sub>periph</sub> <sup>3,4</sup>	Peripheral Frequency	Slave	-	40	-	40	-	56	-	56	-	4	-	4	-	1	-	1	MHz
			Master	-	40	-	40	-	56	-	56	-	4	-	4	-	1	-	1	
			Master Loopback <sup>5</sup>	-	40	-	48	-	48	-	48	-	4	-	4	-	1	-	1	
			Master Loopback(slow) <sup>6</sup>	-	48	-	48	-	48	-	48	-	4	-	4	-	1	-	1	
1	f <sub>op</sub>	Frequency of operation	Slave	-	10	-	10	-	14	-	14 <sup>7</sup>	-	2	-	2	-	0.5	-	0.5	MHz
			Master	-	10	-	10	-	14	-	14 <sup>7</sup>	-	2	-	2	-	0.5	-	0.5	
			Master Loopback <sup>5</sup>	-	20	-	12	-	24	-	12	-	2	-	2	-	0.5	-	0.5	
			Master Loopback(slow) <sup>6</sup>	-	12	-	12	-	12	-	12	-	2	-	2	-	0.5	-	0.5	
2	t <sub>SPSCK</sub>	SPSCK period	Slave	100	-	100	-	72	-	72	-	500	-	500	-	-	2000	-	2000	ns
			Master	100	-	100	-	72	-	72	-	500	-	500	-	-	2000	-	2000	
			Master Loopback <sup>5</sup>	50	-	83	-	42	-	83	-	500	-	500	-	-	2000	-	2000	
			Master Loopback(slow) <sup>6</sup>	83	-	83	-	83	-	83	-	500	-	500	-	-	2000	-	2000	
3	t <sub>Lead</sub> <sup>8</sup>	Enable lead time (PCS to SPSCK delay)	Slave	-	-	-	-	-	-	-	-	-	-	-	-	-	-	-	ns	

Table continues on the next page...

Table 46. LPSPi electrical specifications<sup>1</sup> (continued)

Num	Symbo	Descripti on	Conditions	Run Mode <sup>2</sup>				HSRUN Mode <sup>2</sup>				VLPR Mode (S32K1xx)				VLPR Mode (S32K14xW)				Unit
				5.0 V IO Min	5.0 V IO Max	3.3 V IO Min	3.3 V IO Max	5.0 V IO Min	5.0 V IO Max	3.3 V IO Min	3.3 V IO Max	5.0 V IO Min	5.0 V IO Max	3.3 V IO Min	3.3 V IO Max	5.0 V IO Min	5.0 V IO Max	3.3 V IO Min	3.3 V IO Max	
4	$t_{lag}^9$	Enable lag time (After SPSCK delay)	Slave	-	-	-	-	-	-	-	-	-	-	-	-	-	-	-	ns	
			Master	-	-	-	-	-	-	-	-	-	-	-	-	-	-	-	-	ns
			Master Loopback <sup>5</sup> Master Loopback(sl ow) <sup>6</sup>	(PCSSCK+1)* $t_{periph}^{25}$	(SCKPCS+1)* $t_{periph}^{25}$	(PCSSCK+1)* $t_{periph}^{25}$	(SCKPCS+1)* $t_{periph}^{25}$	(PCSSCK+1)* $t_{periph}^{25}$	(SCKPCS+1)* $t_{periph}^{25}$	(PCSSCK+1)* $t_{periph}^{25}$	(SCKPCS+1)* $t_{periph}^{25}$	(PCSSCK+1)* $t_{periph}^{25}$	(SCKPCS+1)* $t_{periph}^{25}$	(PCSSCK+1)* $t_{periph}^{25}$	(SCKPCS+1)* $t_{periph}^{25}$	(PCSSCK+1)* $t_{periph}^{25}$	(SCKPCS+1)* $t_{periph}^{25}$	(PCSSCK+1)* $t_{periph}^{25}$	(SCKPCS+1)* $t_{periph}^{25}$	ns
5	$t_{wspck}^{10}$	Clock(SPS CK) high or low time (SPSCK duty cycle)	Slave	$t_{SPSCK}^{2-3}$	$t_{SPSCK}^{2-3}$	$t_{SPSCK}^{2-3}$	$t_{SPSCK}^{2-3}$	$t_{SPSCK}^{2-3}$	$t_{SPSCK}^{2-3}$	$t_{SPSCK}^{2-3}$	$t_{SPSCK}^{2-3}$	$t_{SPSCK}^{2-3}$	$t_{SPSCK}^{2-3}$	$t_{SPSCK}^{2-3}$	$t_{SPSCK}^{2-3}$	$t_{SPSCK}^{2-3}$	$t_{SPSCK}^{2-3}$	$t_{SPSCK}^{2-3}$	ns	
			Master	$t_{SPSCK}^{2-3}$	$t_{SPSCK}^{2-3}$	$t_{SPSCK}^{2-3}$	$t_{SPSCK}^{2-3}$	$t_{SPSCK}^{2-3}$	$t_{SPSCK}^{2-3}$	$t_{SPSCK}^{2-3}$	$t_{SPSCK}^{2-3}$	$t_{SPSCK}^{2-3}$	$t_{SPSCK}^{2-3}$	$t_{SPSCK}^{2-3}$	$t_{SPSCK}^{2-3}$	$t_{SPSCK}^{2-3}$	$t_{SPSCK}^{2-3}$	$t_{SPSCK}^{2-3}$	$t_{SPSCK}^{2-3}$	ns
			Master Loopback <sup>5</sup> Master Loopback(sl ow) <sup>6</sup>	$t_{SPSCK}^{2-3}$	$t_{SPSCK}^{2-3}$	$t_{SPSCK}^{2-3}$	$t_{SPSCK}^{2-3}$	$t_{SPSCK}^{2-3}$	$t_{SPSCK}^{2-3}$	$t_{SPSCK}^{2-3}$	$t_{SPSCK}^{2-3}$	$t_{SPSCK}^{2-3}$	$t_{SPSCK}^{2-3}$	$t_{SPSCK}^{2-3}$	$t_{SPSCK}^{2-3}$	$t_{SPSCK}^{2-3}$	$t_{SPSCK}^{2-3}$	$t_{SPSCK}^{2-3}$	$t_{SPSCK}^{2-3}$	ns
6	$t_{su}$	Data setup time(input s)	Slave	3	-	5	-	3	-	18	-	18	-	18	-	55	-	55	ns	
			Master	29	-	38	-	26	-	72	-	78	-	72	-	145	-	145	ns	

Table continues on the next page...

**Table 46. LPSPI electrical specifications<sup>1</sup> (continued)**

Num	Symbo _	Descripti on	Conditions	Run Mode <sup>2</sup>				HSRUN Mode <sup>2</sup>				VLPR Mode (S32K1xx)				VLPR Mode (S32K14xW)				Unit
				5.0 V IO		3.3 V IO		5.0 V IO		3.3 V IO		5.0 V IO		3.3 V IO		5.0 V IO		3.3 V IO		
				Min	Max	Min	Max	Min	Max	Min	Max	Min	Max	Min	Max	Min	Max	Min	Max	
			Master Loopback <sup>5</sup>	7	-	8	-	5	-	7	-	20	-	20	-	60	-	60	-	
			Master Loopback(slow) <sup>6</sup>	8	-	10	-	7	-	9	-	20	-	20	-	61	-	61	-	
7	t <sub>HI</sub>	Data hold time(input s)	Slave	3	-	3	-	3	-	3	-	14	-	14	-	27	-	27	-	ns
			Master	0	-	0	-	0	-	0	-	0	-	0	-	0	-	0	-	
			Master Loopback <sup>5</sup>	3	-	3	-	2	-	3	-	11	-	11	-	26	-	26	-	
			Master Loopback(slow) <sup>6</sup>	3	-	3	-	3	-	3	-	12	-	12	-	20	-	20	-	
8	t <sub>a</sub>	Slave access time	Slave	-	50	-	50	-	50	-	50	-	100	-	100	-	180	-	180	ns
9	t <sub>dis</sub>	Slave MISO (SOUT) disable time	Slave	-	50	-	50	-	50	-	50	-	100	-	100	-	180	-	180	ns
10	t <sub>v</sub>	Data valid (after SPSCK edge)	Slave	-	30	-	39	-	26	-	36 <sup>11</sup> 31 <sup>12</sup>	-	92	-	96	-	190	-	190	ns
			Master	-	12	-	16	-	11	-	15	-	47	-	48	-	113	-	113	
			Master Loopback <sup>5</sup>	-	12	-	16	-	11	-	15	-	47	-	48	-	112	-	112	
			Master Loopback(slow) <sup>6</sup>	-	8	-	10	-	7	-	9	-	44	-	44	-	99	-	99	
11	t <sub>HO</sub>	Data hold time(output s)	Slave	4	-	4	-	4	-	4	-	4	-	4	-	4	-	4	-	ns
			Master	-15	-	-22	-	-15	-	-23	-	-22	-	-29	-	-30	-	-30	-	

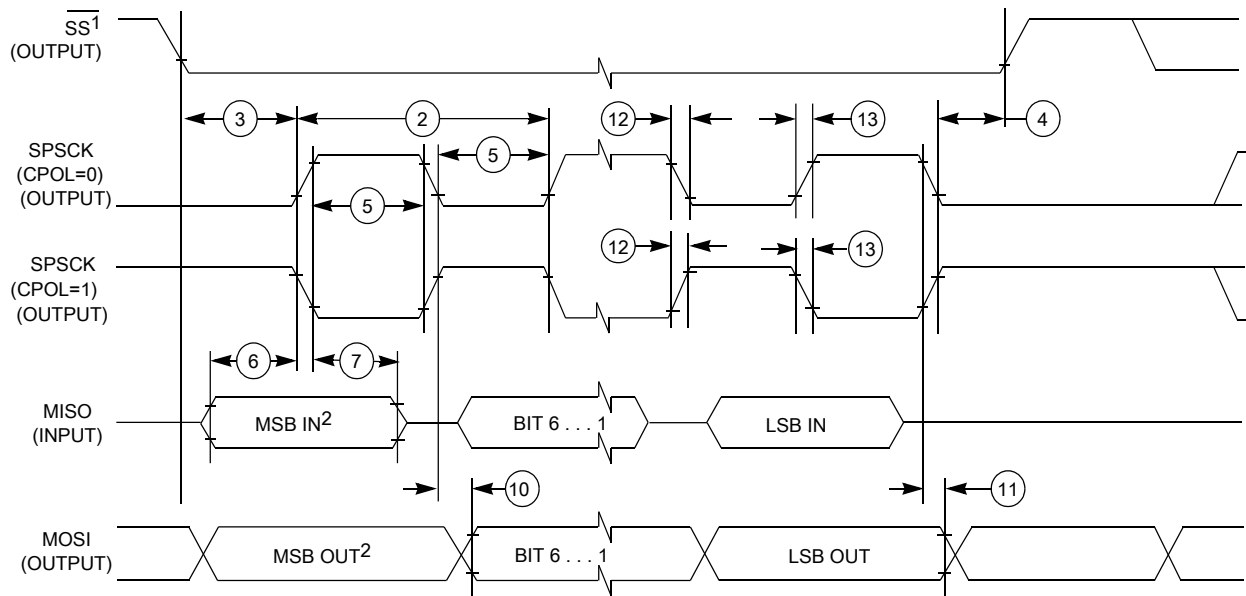
Table continues on the next page...

**Table 46. LPSPI electrical specifications<sup>1</sup> (continued)**

Num	Symbo l	Descripti on	Conditions	Run Mode <sup>2</sup>				HSRUN Mode <sup>2</sup>				VLPR Mode (S32K1xx)				VLPR Mode (S32K14xW)				Un it
				5.0 V IO		3.3 V IO		5.0 V IO		3.3 V IO		5.0 V IO		3.3 V IO		5.0 V IO		3.3 V IO		
				Min	Max	Min	Max	Min	Max	Min	Max	Min	Max	Min	Max	Min	Max	Min	Max	
			Master Loopback <sup>5</sup>	-10	-	-14	-	-10	-	-14	-	-14	-	-19	-	-19	-	-19	-	
			Master Loopback(slow) <sup>6</sup>	-15	-	-22	-	-15	-	-22	-	-21	-	-27	-	-30	-	-30	-	
12	t <sub>RI/FI</sub>	Rise/Fall time input	Slave	-	1	-	1	-	1	-	1	-	1	-	1	-	1	-	1	ns
			Master	-		-		-		-		-		-		-		-		
			Master Loopback <sup>5</sup>	-		-		-		-		-		-		-		-		
			Master Loopback(slow) <sup>6</sup>	-		-		-		-		-		-		-		-		
13	t <sub>RO/FO</sub>	Rise/Fall time output	Slave	-	25	-	25	-	25	-	25	-	25	-	25	-	25	-	25	ns
			Master	-		-		-		-		-		-		-		-		
			Master Loopback <sup>5</sup>	-		-		-		-		-		-		-		-		
			Master Loopback(slow) <sup>6</sup>	-		-		-		-		-		-		-		-		

- Trace length should not exceed 11 inches for SCK pad when used in Master loopback mode.
- While transitioning from HSRUN mode to RUN mode, LPSPi output clock should not be more than 14 MHz.
- f<sub>periph</sub> = LPSPi peripheral clock
- t<sub>periph</sub> = 1/f<sub>periph</sub>
- Master Loopback mode - In this mode LPSPi\_SCK clock is delayed for sampling the input data which is enabled by setting LPSPi\_CFGR1[SAMPLE] bit as 1. Clock pads used are PTD15 and PTE0. Applicable only for LPSPi0.
- Master Loopback (slow) - In this mode LPSPi\_SCK clock is delayed for sampling the input data which is enabled by setting LPSPi\_CFGR1[SAMPLE] bit as 1. Clock pad used is PTB2. Applicable only for LPSPi0.
- This is the maximum operating frequency (f<sub>op</sub>) for LPSPi0 with GPIO-HD PAD type only. Otherwise, the maximum operating frequency (f<sub>op</sub>) is 12 MHz.
- Set the PCSSCK configuration bit as 0, for a minimum of 1 delay cycle of LPSPi baud rate clock, where PCSSCK ranges from 0 to 255.
- Set the SCKPCS configuration bit as 0, for a minimum of 1 delay cycle of LPSPi baud rate clock, where SCKPCS ranges from 0 to 255.
- While selecting odd dividers, ensure Duty Cycle is meeting this parameter.
- Maximum operating frequency (f<sub>op</sub>) is 12 MHz irrespective of PAD type and LPSPi instance.
- Applicable for LPSPi0 only with GPIO-HD PAD type, with maximum operating frequency (f<sub>op</sub>) as 14 MHz.

Communication modules



1. If configured as an output.
2. LSBF = 0. For LSBF = 1, bit order is LSB, bit 1, ..., bit 6, MSB.

Figure 19. LPSPI master mode timing (CPHA = 0)



1. If configured as output
2. LSBF = 0. For LSBF = 1, bit order is LSB, bit 1, ..., bit 6, MSB.

Figure 20. LPSPI master mode timing (CPHA = 1)



**Figure 21. LPSPI slave mode timing (CPHA = 0)**



**Figure 22. LPSPI slave mode timing (CPHA = 1)**

### 6.5.3 LPI2C electrical specifications

See [General AC specifications](#) for LPI2C specifications.

## Communication modules

For supported baud rate see section 'Chip-specific LPI2C information' of the *Reference Manual*.

### 6.5.4 FlexCAN electrical specifications

For supported baud rate, see section 'Protocol timing' of the *Reference Manual*.

### 6.5.5 SAI electrical specifications

The following table describes the SAI electrical characteristics.

- Measurements are with maximum output load of 50 pF, input transition of 1 ns and pad configured with fastest slew settings (DSE = 1'b1).
- I/O operating voltage ranges from 2.97 V to 3.6 V
- While doing the mode transition (RUN -> HSRUN or HSRUN -> RUN ), the interface should be OFF.

**Table 47. Master mode timing specifications**

Symbol	Description	Min.	Max.	Unit
—	Operating voltage	2.97	3.6	V
S1	SAI_MCLK cycle time	40	—	ns
S2	SAI_MCLK pulse width high/low	45%	55%	MCLK period
S3	SAI_BCLK cycle time	80	—	ns
S4	SAI_BCLK pulse width high/low	45%	55%	BCLK period
S5	SAI_RXD input setup before SAI_BCLK	28	—	ns
S6	SAI_RXD input hold after SAI_BCLK	0	—	ns
S7	SAI_BCLK to SAI_TXD output valid	—	8	ns
S8	SAI_BCLK to SAI_TXD output invalid	-2	—	ns
S9	SAI_FS input setup before SAI_BCLK	28	—	ns
S10	SAI_FS input hold after SAI_BCLK	0	—	ns
S11	SAI_BCLK to SAI_FS output valid	—	8	ns
S12	SAI_BCLK to SAI_FS output invalid	-2	—	ns

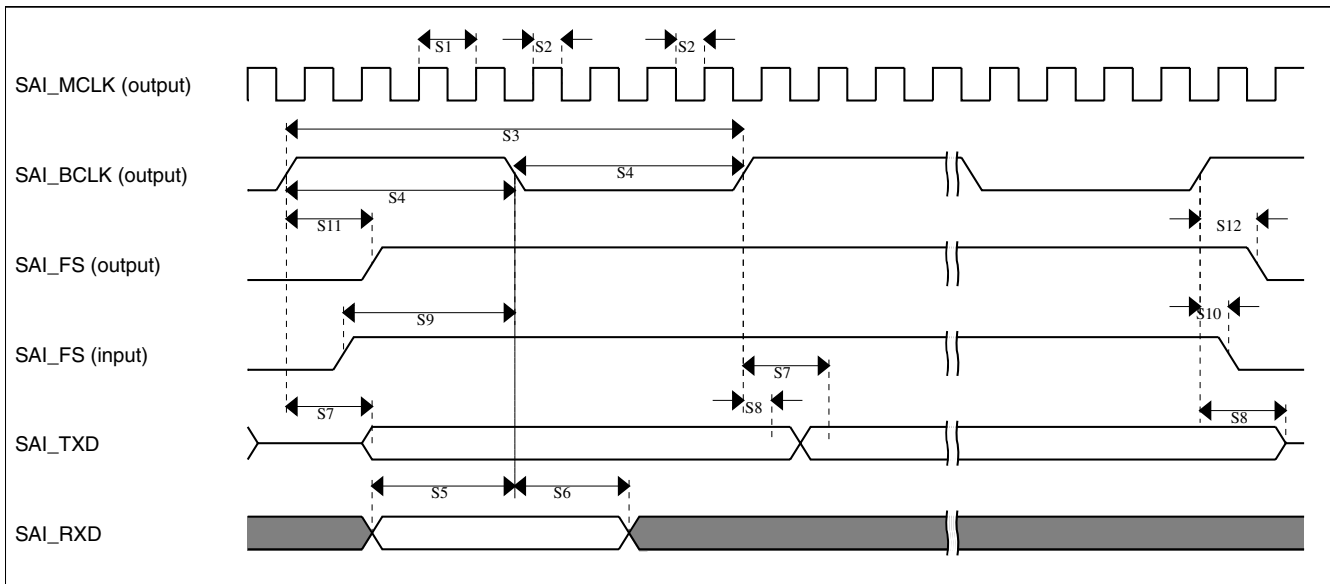


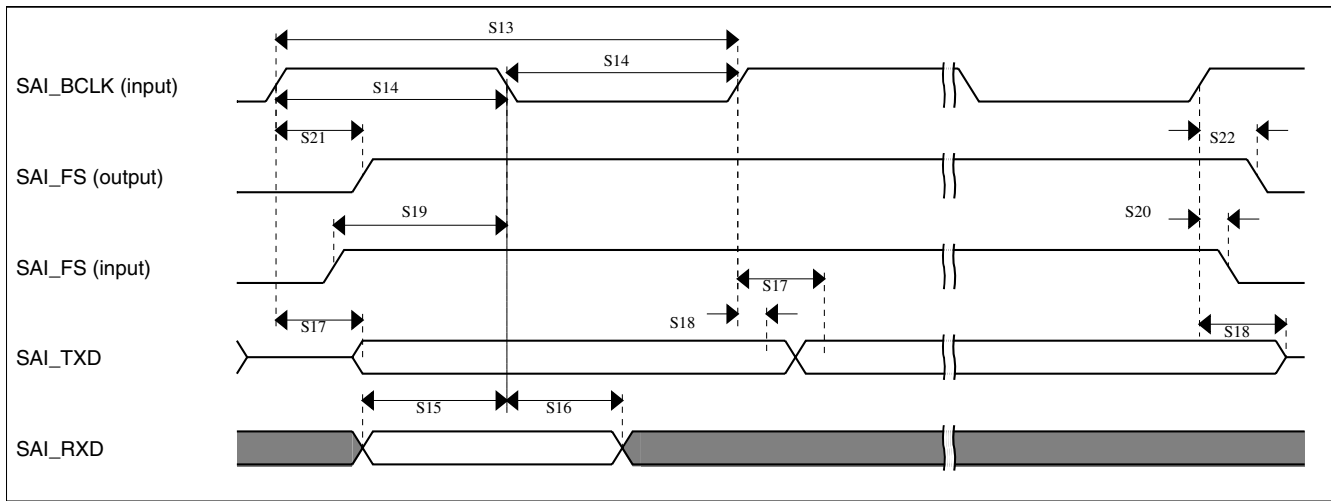
Figure 23. SAI Timing — Master modes

Table 48. Slave mode timing specifications

Symbol	Description	Min.	Max.	Unit
—	Operating voltage	2.97	3.6	V
S13	SAI_BCLK cycle time (input)	80	—	ns
S14 <sup>1</sup>	SAI_BCLK pulse width high/low (input)	45%	55%	BCLK period
S15	SAI_RXD input setup before SAI_BCLK	8	—	ns
S16	SAI_RXD input hold after SAI_BCLK	2	—	ns
S17	SAI_BCLK to SAI_TXD output valid	—	28	ns
S18	SAI_BCLK to SAI_TXD output invalid	0	—	ns
S19	SAI_FS input setup before SAI_BCLK	8	—	ns
S20	SAI_FS input hold after SAI_BCLK	2	—	ns
S21	SAI_BCLK to SAI_FS output valid	—	28	ns
S22	SAI_BCLK to SAI_FS output invalid	0	—	ns

1. The slave mode parameters (S15 - S22) assume 50% duty cycle on SAI\_BCLK input. Any change in SAI\_BCLK duty cycle input must be taken care during the board design or by the master timing.

**Communication modules**



**Figure 24. SAI Timing — Slave modes**

**6.5.6 Ethernet AC specifications**

The following timing specs are defined at the chip I/O pin and must be translated appropriately to arrive at timing specs/constraints for the physical interface.

The following table describes the MII electrical characteristics.

- Measurements are with maximum output load of 25 pF, input transition of 1 ns and pad configured with fastest slew settings (DSE = 1'b1).
- I/O operating voltage ranges from 2.97 V to 3.6 V
- While doing the mode transition (RUN -> HSRUN or HSRUN -> RUN ), the interface should be OFF.

**Table 49. MII signal switching specifications**

Symbol	Description	Min.	Max.	Unit
—	RXCLK frequency	—	25	MHz
MII1	RXCLK pulse width high	35%	65%	RXCLK period
MII2	RXCLK pulse width low	35%	65%	RXCLK period
MII3	RXD[3:0], RXDV, RXER to RXCLK setup	5	—	ns
MII4	RXCLK to RXD[3:0], RXDV, RXER hold	5	—	ns
—	TXCLK frequency	—	25	MHz
MII5	TXCLK pulse width high	35%	65%	TXCLK period
MII6	TXCLK pulse width low	35%	65%	TXCLK period
MII7	TXCLK to TXD[3:0], TXEN, TXER invalid	2	—	ns
MII8	TXCLK to TXD[3:0], TXEN, TXER valid	—	25	ns

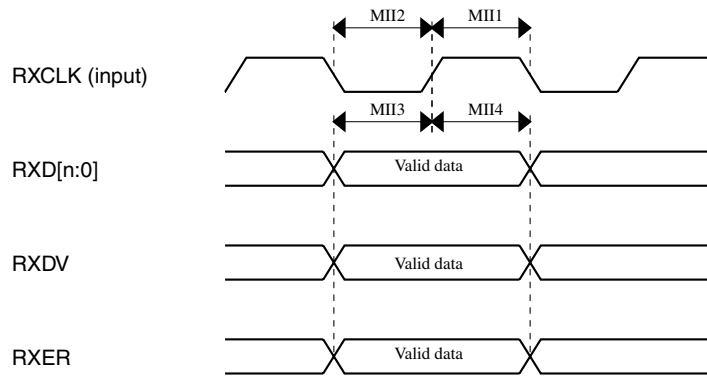


Figure 25. MII receive diagram

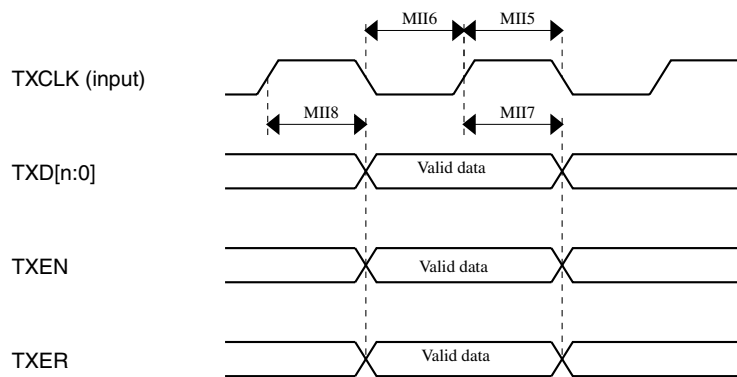


Figure 26. MII transmit signal diagram

The following table describes the RMII electrical characteristics.

- Measurements are with maximum output load of 25 pF, input transition of 1 ns and pad configured with fastest slew settings (DSE = 1'b1).
- I/O operating voltage ranges from 2.97 V to 3.6 V
- While doing the mode transition (RUN -> HSRUN or HSRUN -> RUN ), the interface should be OFF.

Table 50. RMII signal switching specifications

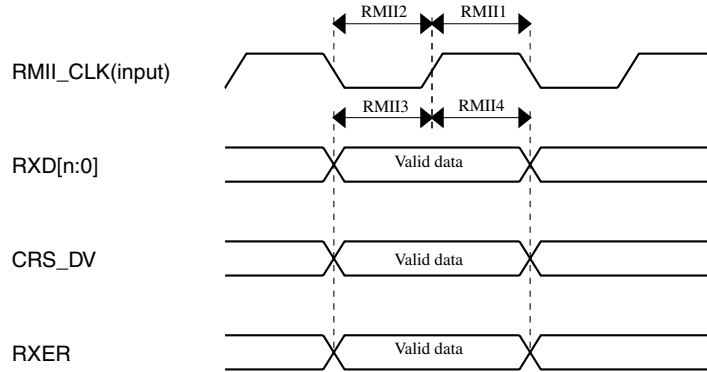
Symbol	Description	Min.	Max.	Unit
—	RMII input clock RMII_CLK Frequency	—	50	MHz
RMII1, RMII5	RMII_CLK pulse width high	35%	65%	RMII_CLK period
RMII2, RMII6	RMII_CLK pulse width low	35%	65%	RMII_CLK period
RMII3	RXD[1:0], CRS_DV, RXER to RMII_CLK setup	4	—	ns
RMII4	RMII_CLK to RXD[1:0], CRS_DV, RXER hold	2	—	ns

Table continues on the next page...

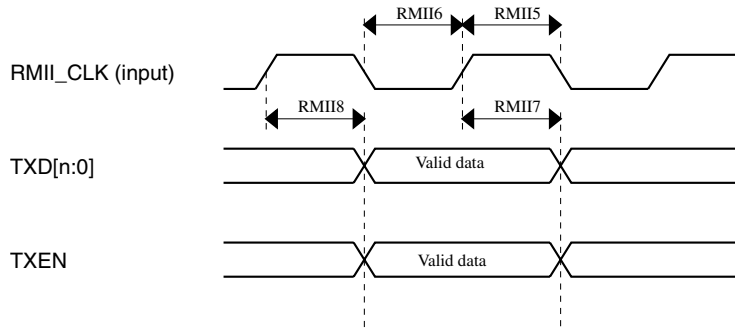
Communication modules

**Table 50. RMII signal switching specifications (continued)**

Symbol	Description	Min.	Max.	Unit
RMII7	RMII_CLK to TXD[1:0], TXEN invalid	2	—	ns
RMII8	RMII_CLK to TXD[1:0], TXEN valid	—	15	ns



**Figure 27. RMII receive diagram**



**Figure 28. RMII transmit diagram**

The following table describes the MDIO electrical characteristics.

- Measurements are with maximum output load of 25 pF, input transition of 1 ns and pad configured with fastest slew settings (DSE = 1'b1).
- I/O operating voltage ranges from 2.97 V to 3.6 V
- While doing the mode transition (RUN -> HSRUN or HSRUN -> RUN ), the interface should be OFF.
- MDIO pin must have external Pull-up.

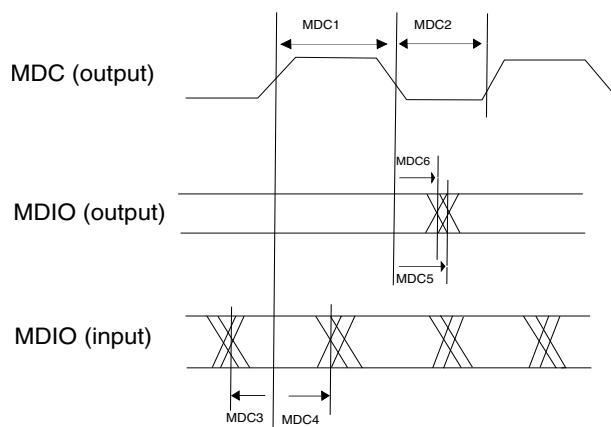
**Table 51. MDIO timing specifications**

Symbol	Description	Min.	Max.	Unit
—	MDC Clock Frequency	—	2.5	MHz

Table continues on the next page...

**Table 51. MDIO timing specifications (continued)**

Symbol	Description	Min.	Max.	Unit
MDC1	MDC pulse width high	40%	60%	MDC period
MDC2	MDC pulse width low	40%	60%	MDC period
MDC3	MDIO (input) to MDC rising edge setup	25	—	ns
MDC4	MDIO (input) to MDC rising edge hold	0	—	ns
MDC5	MDC falling edge to MDIO output valid (maximum propagation delay)	—	25	ns
MDC6	MDC falling edge to MDIO output invalid (minimum propagation delay)	-10	—	ns

**Figure 29. MII/RMII serial management channel timing diagram**

### 6.5.7 Clockout frequency

Maximum supported clock out frequency for this device is 20 MHz

## 6.6 Debug modules

### 6.6.1 SWD electrical specifications

**Table 52. SWD electrical specifications**

Symbol	Description	Run Mode				HSRUN Mode				VLPR Mode (S32K1xx)				VLPR Mode (S32K14xW)				Unit
		5.0 V IO		3.3 V IO		5.0 V IO		3.3 V IO		5.0 V IO		3.3 V IO		5.0 V IO		3.3 V IO		
		Min.	Max.	Min.	Max.	Min.	Max.	Min.	Max.	Min.	Max.	Min.	Max.	Min.	Max.	Min.	Max.	
S1	SWD_CLK frequency of operation	-	25	-	25	-	25	-	25	-	10	-	10	-	1	-	1	MHz
S2	SWD_CLK cycle period	1/S1	-	1/S1	-	1/S1	-	1/S1	-	1/S1	-	1/S1	-	1/S1	-	1/S1	-	ns
S3	SWD_CLK clock pulse width	S2/2 - 5	S2/2 + 5	S2/2 - 5	S2/2 + 5	S2/2 - 5	S2/2 + 5	S2/2 - 5	S2/2 + 5	S2/2 - 5	S2/2 + 5	S2/2 - 5	S2/2 + 5	S2/2 - 5	S2/2 + 5	S2/2 - 5	S2/2 + 5	ns
S4	SWD_CLK rise and fall times	-	1	-	1	-	1	-	1	-	1	-	1	-	1	-	1	ns
S9	SWD_DIO input data setup time to SWD_CLK rise	4	-	4	-	4	-	4	-	16	-	16	-	30	-	30	-	ns
S10	SWD_DIO input data hold time after SWD_CLK rise	3	-	3	-	3	-	3	-	10	-	10	-	19	-	19	-	ns
S11	SWD_CLK high to SWD_DIO data valid	-	28	-	38	-	28	-	38	-	70	-	77	-	180	-	180	ns
S12	SWD_CLK high to SWD_DIO high-Z	-	28	-	38	-	28	-	38	-	70	-	77	-	180	-	180	ns
S13	SWD_CLK high to SWD_DIO data invalid	0	-	0	-	0	-	0	-	0	-	0	-	0	-	0	-	ns

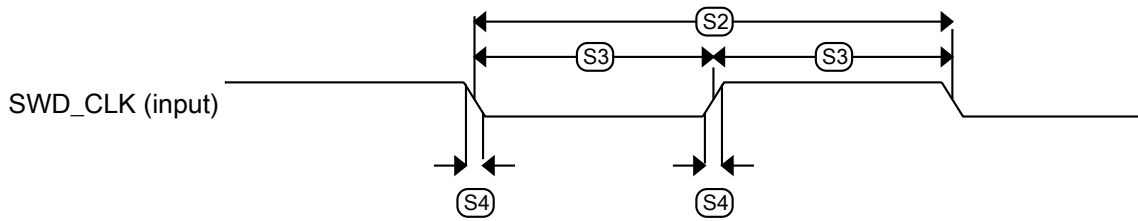


Figure 30. Serial wire clock input timing

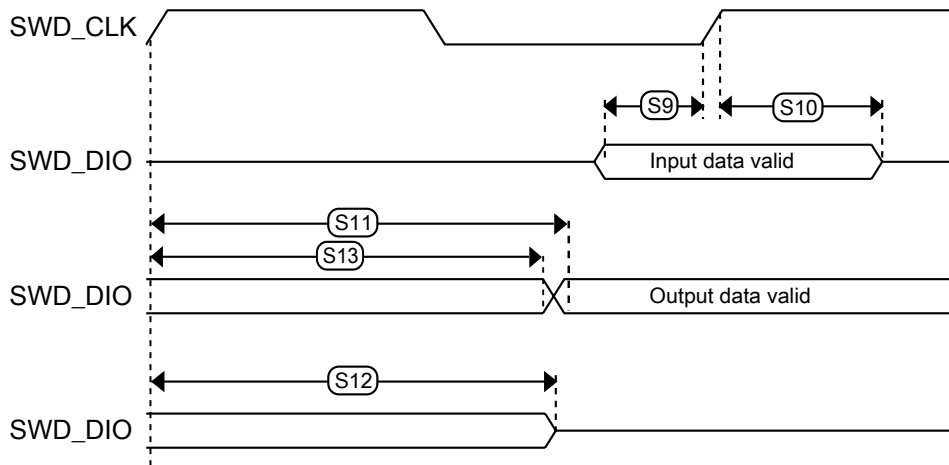


Figure 31. Serial wire data timing

### 6.6.2 Trace electrical specifications

The following table describes the ETM Trace electrical characteristics.

- Measurements are with maximum output load of 50 pF, input transition of 1 ns and pad configured with fastest slew settings (DSE = 1'b1).
- While doing the mode transition (RUN -> HSRUN or HSRUN -> RUN ), the interface should be OFF.

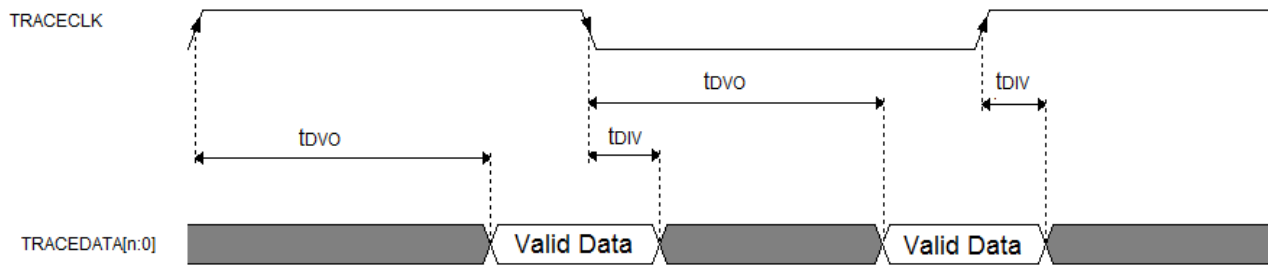
#### NOTE

ETM trace is supported only on S32K148.

Debug modules

**Table 53. ETM Trace specifications**

	Symbol	Description	RUN Mode			HSRUN Mode		VLPR Mode	Unit
—	F <sub>sys</sub>	System frequency	80	48	40	112	80	4	MHz
Trace on fast pads	f <sub>TRACE</sub>	Max Trace frequency	80	48	40	74.667	80	4	MHz
	t <sub>DVO</sub>	Data Output Valid	4	4	4	4	4	20	ns
	t <sub>DIV</sub>	Data Output Invalid	-2	-2	-2	-2	-2	-10	ns
Trace on slow pads	f <sub>TRACE</sub>	Max Trace frequency	22.86	24	20	22.4	22.86	4	MHz
	t <sub>DVO</sub>	Data Output Valid	8	8	8	8	8	20	ns
	t <sub>DIV</sub>	Data Output Invalid	-4	-4	-4	-4	-4	-10	ns



**Figure 32. TRACE CLKOUT specifications**

### 6.6.3 JTAG electrical specifications

Table 54. JTAG electrical specifications

Symbol	Description	Run Mode				HSRUN Mode				VLPR Mode (S32K1xx)				VLPR Mode (S32K14xW)				Unit		
		5.0 V IO		3.3 V IO		5.0 V IO		3.3 V IO		5.0 V IO		3.3 V IO		5.0 V IO		5.0 V IO				
		Min.	Max.	Min.	Max.	Min.	Max.	Min.	Max.	Min.	Max.	Min.	Max.	Min.	Max.	Min.	Max.			
J1	TCLK frequency of operation																	MHz		
	Boundary Scan	-	20	-	20	-	20	-	20	-	20	-	10	-	10	-	1	-	1	
	JTAG	-	20	-	20	-	20	-	20	-	20	-	10	-	10	-	1	-	1	
J2	TCLK cycle period	1/J1	-	1/J1	-	1/J1	-	1/J1	-	1/J1	-	1/J1	-	1/J1	-	1/J1	-	1/J1	-	ns
J3	TCLK clock pulse width																	ns		
	Boundary Scan	J2/2 - 5	5 + 2/2	J2/2 - 5	J2/2 + 5	J2/2 - 5	J2/2 + 5	J2/2 - 5	J2/2 + 5	J2/2 - 5	J2/2 + 5	J2/2 - 5	J2/2 + 5	J2/2 - 5	J2/2 + 5	J2/2 - 5	J2/2 + 5	J2/2 - 5	J2/2 + 5	
	JTAG	J2/2 - 5	5 + 2/2	J2/2 - 5	J2/2 + 5	J2/2 - 5	J2/2 + 5	J2/2 - 5	J2/2 + 5	J2/2 - 5	J2/2 + 5	J2/2 - 5	J2/2 + 5	J2/2 - 5	J2/2 + 5	J2/2 - 5	J2/2 + 5	J2/2 - 5	J2/2 + 5	
J4	TCLK rise and fall times	-	1	-	1	-	1	-	1	-	1	-	1	-	1	-	1	-	1	ns
J5	Boundary scan input data setup time to TCLK rise	5	-	5	-	5	-	5	-	5	-	15	-	15	-	23	-	23	-	ns
J6	Boundary scan input data hold time after TCLK rise	5	-	5	-	5	-	5	-	5	-	8	-	8	-	20	-	20	-	ns
J7	TCLK low to boundary scan output data valid	-	28	-	32	-	28	-	32	-	80	-	80	-	184	-	184	-	184	ns
J8	TCLK low to boundary scan output data invalid	0	-	0	-	0	-	0	-	0	-	0	-	0	-	0	-	0	-	
J9	TCLK low to boundary scan output high-Z	-	28	-	32	-	28	-	32	-	80	-	80	-	184	-	184	-	184	ns
J10	TMS, TDI input data setup time to TCLK rise	3	-	3	-	3	-	3	-	3	-	15	-	15	-	23	-	23	-	ns
J11	TMS, TDI input data hold time after TCLK rise	2	-	2	-	2	-	2	-	2	-	8	-	8	-	20	-	20	-	ns
J12	TCLK low to TDO data valid	-	28	-	32	-	28	-	32	-	80	-	80	-	184	-	184	-	184	ns
J13	TCLK low to TDO data invalid	0	-	0	-	0	-	0	-	0	-	0	-	0	-	0	-	0	-	ns

Table continues on the next page...

**Table 54. JTAG electrical specifications (continued)**

Symbol	Description	Run Mode				HSRUN Mode				VLPR Mode (S32K1xx)				VLPR Mode (S32K14xW)				Unit
		5.0 V IO		3.3 V IO		5.0 V IO		3.3 V IO		5.0 V IO		3.3 V IO		5.0 V IO				
		Min.	Max.	Min.	Max.	Min.	Max.	Min.	Max.	Min.	Max.	Min.	Max.	Min.	Max.			
J14	TCLK low to TDO high-Z	-	28	-	32	-	28	-	32	-	80	-	80	-	184	-	184	ns

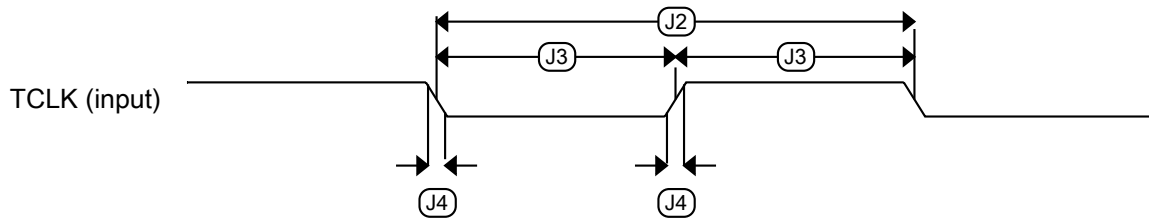


Figure 33. Test clock input timing

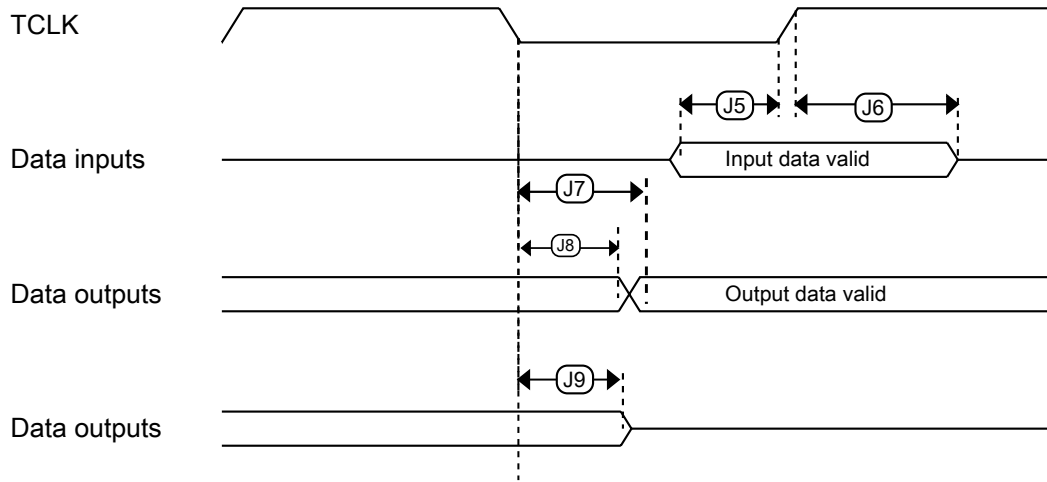


Figure 34. Boundary scan (JTAG) timing

## Thermal attributes



**Figure 35. Test Access Port timing**

## 7 Thermal attributes

### 7.1 Description

The tables in the following sections describe the thermal characteristics of the device.

#### NOTE

Junction temperature is a function of die size, on-chip power dissipation, package thermal resistance, mounting side (board) temperature, ambient temperature, air flow, power dissipation or other components on the board, and board thermal resistance.

### 7.2 Thermal characteristics

**Table 55. Thermal characteristics for 32-pin QFN and 48/64/100/144/176-pin LQFP package**

Rating	Conditions	Symbol	Package	Values (in °C/W)								
				S32K116	S32K118	S32K142	S32K142 W	S32K144	S32K144 W	S32K146	S32K148	
Thermal resistance, Junction to Ambient (Natural Convection) <sup>1, 2</sup>	Single layer board (1s)	R <sub>θJA</sub>	32	93	NA	NA	NA	NA	NA	NA	NA	NA
			48	79	71	70	69	69	69	NA	NA	
			64	NA	62	61	60	61	60	59	NA	
			100	NA	NA	53	NA	52	NA	51	46	
			144	NA	NA	NA	NA	NA	NA	51	44	
			176	NA	NA	NA	NA	NA	NA	NA	42	
Thermal resistance, Junction to Ambient (Natural Convection) <sup>1</sup>	Two layer board (1s1p)	R <sub>θJA</sub>	32	50	NA	NA	NA	NA	NA	NA	NA	NA
			48	58	50	49	48	48	48	NA	NA	
			64	NA	46	45	45	45	45	44	NA	
			100	NA	NA	42	NA	42	NA	40	36	
			144	NA	NA	NA	NA	NA	NA	44	37	
			176	NA	NA	NA	NA	NA	NA	NA	36	
Thermal resistance, Junction to Ambient (Natural Convection) <sup>1, 2</sup>	Four layer board (2s2p)	R <sub>θJA</sub>	32	32	NA	NA	NA	NA	NA	NA	NA	NA
			48	55	47	46	45	45	45	NA	NA	
			64	NA	44	43	42	43	42	41	NA	
			100	NA	NA	40	NA	40	NA	39	34	
			144	NA	NA	NA	NA	NA	NA	42	36	
			176	NA	NA	NA	NA	NA	NA	NA	35	
Thermal resistance, Junction to Ambient (@200 ft/min) <sup>1, 3</sup>	Single layer board (1s)	R <sub>θJMA</sub>	32	77	NA	NA	NA	NA	NA	NA	NA	NA
			48	66	58	57	56	57	56	NA	NA	
			64	NA	50	49	49	49	49	48	NA	
			100	NA	NA	43	NA	42	NA	41	37	
			144	NA	NA	NA	NA	NA	NA	42	36	
			176	NA	NA	NA	NA	NA	NA	NA	34	
Thermal resistance, Junction to Ambient (@200 ft/min) <sup>1</sup>	Two layer board (1s1p)	R <sub>θJMA</sub>	32	43	NA	NA	NA	NA	NA	NA	NA	NA
			48	51	43	42	41	41	41	NA	NA	
			64	NA	39	38	38	38	38	37	NA	

Table continues on the next page...

**Table 55. Thermal characteristics for 32-pin QFN and 48/64/100/144/176-pin LQFP package (continued)**

Rating	Conditions	Symbol	Package	Values (in °C/W)								
				S32K116	S32K118	S32K142	S32K142 W	S32K144	S32K144 W	S32K146	S32K148	
			100	NA	NA	35	NA	35	NA	34	30	
			144	NA	NA	NA	NA	NA	NA	37	31	
			176	NA	NA	NA	NA	NA	NA	NA	30	
Thermal resistance, Junction to Ambient (@200 ft/min) <sup>1, 3</sup>	Four layer board (2s2p)	R <sub>θJMA</sub>	32	26	NA	NA	NA	NA	NA	NA	NA	
			48	48	41	40	39	39	39	NA	NA	
			64	NA	37	36	36	36	36	35	NA	
			100	NA	NA	34	NA	34	NA	33	28	
			144	NA	NA	NA	NA	NA	NA	36	30	
			176	NA	NA	NA	NA	NA	NA	NA	29	
Thermal resistance, Junction to Board <sup>4</sup>	—	R <sub>θJB</sub>	32	11	NA	NA	NA	NA	NA	NA	NA	
			48	33	24	23	22	23	22	NA	NA	
			64	NA	26	25	24	25	24	23	NA	
			100	NA	NA	25	NA	25	NA	24	19	
			144	NA	NA	NA	NA	NA	NA	30	24	
			176	NA	NA	NA	NA	NA	NA	NA	24	
Thermal resistance, Junction to Case <sup>5</sup>	—	R <sub>θJC</sub>	32	NA	NA	NA	NA	NA	NA	NA	NA	
			48	23	19	17	16	17	16	NA	NA	
			64	NA	14	13	12	12	12	11	NA	
			100	NA	NA	13	NA	12	NA	11	9	
			144	NA	NA	NA	NA	NA	NA	12	9	
			176	NA	NA	NA	NA	NA	NA	NA	9	
Thermal resistance, Junction to Case (Bottom) <sup>6</sup>	—	R <sub>θJCBottom</sub>	32	1	NA							
			48	NA								
			64	NA								
			100	NA								
			144	NA								

Table continues on the next page...

**Table 55. Thermal characteristics for 32-pin QFN and 48/64/100/144/176-pin LQFP package (continued)**

Rating	Conditions	Symbol	Package	Values (in °C/W)								
				S32K116	S32K118	S32K142	S32K142 W	S32K144	S32K144 W	S32K146	S32K148	
			176									
Thermal resistance, Junction to Package Top <sup>7</sup>	Natural Convection	$\psi_{JT}$	32	1	NA	NA	NA	NA	NA	NA	NA	NA
			48	4	2	2	2	2	2	NA	NA	
			64	NA	2	2	2	2	2	2	NA	
			100	NA	NA	2	NA	2	NA	2	1	
			144	NA	NA	NA	NA	NA	NA	2	1	
			176	NA	NA	NA	NA	NA	NA	NA	1	

1. Junction temperature is a function of die size, on-chip power dissipation, package thermal resistance, mounting site (board) temperature, ambient temperature, air flow, power dissipation of other components on the board, and board thermal resistance.
2. Per JEDEC JESD51-2 with natural convection for horizontally oriented board. Board meets JESD51-9 specification for 1s or 2s2p board, respectively.
3. Per JEDEC JESD51-6 with forced convection for horizontally oriented board. Board meets JESD51-9 specification for 1s or 2s2p board, respectively.
4. Thermal resistance between the die and the printed circuit board per JEDEC JESD51-8. Board temperature is measured on the top surface of the board near the package.
5. Thermal resistance between the die and the case top surface as measured by the cold plate method (MIL SPEC-883 Method 1012.1).
6. Thermal resistance between the die and the solder pad on the bottom of the package. Interface resistance is ignored.
7. Thermal characterization parameter indicating the temperature difference between package top and the junction temperature per JEDEC JESD51-2. When Greek letters are not available, the thermal characterization parameter is written as Psi-JT.

**Table 56. Thermal characteristics for the 100 MAPBGA package**

Rating	Conditions	Symbol	Values			Unit
			S32K146	S32K144	S32K148	
Thermal resistance, Junction to Ambient (Natural Convection) <sup>1, 2</sup>	Single layer board (1s)	$R_{\theta JA}$	57.2	61.0	52.5	°C/W
Thermal resistance, Junction to Ambient (Natural Convection) <sup>1, 2, 3</sup>	Four layer board (2s2p)	$R_{\theta JA}$	32.1	35.6	27.5	°C/W
Thermal resistance, Junction to Ambient (@200 ft/min) <sup>1, 2, 3</sup>	Single layer board (1s)	$R_{\theta JMA}$	44.1	46.6	39.0	°C/W
Thermal resistance, Junction to Ambient (@200 ft/min) <sup>1, 3</sup>	Two layer board (2s2p)	$R_{\theta JMA}$	27.2	30.9	22.8	°C/W
Thermal resistance, Junction to Board <sup>4</sup>	—	$R_{\theta JB}$	15.3	18.9	11.2	°C/W
Thermal resistance, Junction to Case <sup>5</sup>	—	$R_{\theta JC}$	10.2	14.2	7.5	°C/W
Thermal resistance, Junction to Package Top outside center <sup>6</sup>	—	$\Psi_{JT}$	0.2	0.4	0.2	°C/W
Thermal resistance, Junction to Package Bottom outside center <sup>7</sup>	—	$\Psi_{JB}$	12.2	15.9	18.3	°C/W

1. Junction temperature is a function of die size, on-chip power dissipation, package thermal resistance, mounting site (board) temperature, ambient temperature, air flow, power dissipation of other components on the board, and board thermal resistance.
2. Per SEMI G38-87 and JEDEC JESD51-2 with the single layer board horizontal.
3. Per JEDEC JESD51-6 with the board horizontal.
4. Thermal resistance between the die and the printed circuit board per JEDEC JESD51-8. Board temperature is measured on the top surface of the board near the package.
5. Thermal resistance between the die and the case top surface as measured by the cold plate method (MIL SPEC-883 Method 1012.1).
6. Thermal characterization parameter indicating the temperature difference between package top and the junction temperature per JEDEC JESD51-2. When Greek letters are not available, the thermal characterization parameter is written as Psi-JT.
7. Thermal characterization parameter indicating the temperature difference between package bottom center and the junction temperature per JEDEC JESD51-12. When Greek letters are not available, the thermal characterization parameter is written as Psi-JB.

### 7.3 General notes for specifications at maximum junction temperature

An estimation of the chip junction temperature,  $T_J$ , can be obtained from this equation:

$$T_J = T_A + (R_{\theta JA} \times P_D)$$

where:

- $T_A$  = ambient temperature for the package ( $^{\circ}\text{C}$ )
- $R_{\theta JA}$  = junction to ambient thermal resistance ( $^{\circ}\text{C}/\text{W}$ )
- $P_D$  = power dissipation in the package ( $\text{W}$ )

The junction to ambient thermal resistance is an industry standard value that provides a quick and easy estimation of thermal performance. Unfortunately, there are two values in common usage: the value determined on a single layer board and the value obtained on a board with two planes. For packages such as the PBGA, these values can be different by a factor of two. Which value is closer to the application depends on the power dissipated by other components on the board. The value obtained on a single layer board is appropriate for the tightly packed printed circuit board. The value obtained on the board with the internal planes is usually appropriate if the board has low power dissipation and the components are well separated.

When a heat sink is used, the thermal resistance is expressed in the following equation as the sum of a junction-to-case thermal resistance and a case-to-ambient thermal resistance:

$$R_{\theta JA} = R_{\theta JC} + R_{\theta CA}$$

where:

- $R_{\theta JA}$  = junction to ambient thermal resistance ( $^{\circ}\text{C}/\text{W}$ )
- $R_{\theta JC}$  = junction to case thermal resistance ( $^{\circ}\text{C}/\text{W}$ )
- $R_{\theta CA}$  = case to ambient thermal resistance ( $^{\circ}\text{C}/\text{W}$ )

$R_{\theta JC}$  is device related and cannot be influenced by the user. The user controls the thermal environment to change the case to ambient thermal resistance,  $R_{\theta CA}$ . For instance, the user can change the size of the heat sink, the air flow around the device, the interface material, the mounting arrangement on printed circuit board, or change the thermal dissipation on the printed circuit board surrounding the device.

## Dimensions

To determine the junction temperature of the device in the application when heat sinks are not used, the Thermal Characterization Parameter ( $\Psi_{JT}$ ) can be used to determine the junction temperature with a measurement of the temperature at the top center of the package case using this equation:

$$T_J = T_T + (\Psi_{JT} \times P_D)$$

where:

- $T_T$  = thermocouple temperature on top of the package ( $^{\circ}\text{C}$ )
- $\Psi_{JT}$  = thermal characterization parameter ( $^{\circ}\text{C}/\text{W}$ )
- $P_D$  = power dissipation in the package (W)

The thermal characterization parameter is measured per JESD51-2 specification using a 40 gauge type T thermocouple epoxied to the top center of the package case. The thermocouple should be positioned so that the thermocouple junction rests on the package. A small amount of epoxy is placed over the thermocouple junction and over about 1 mm of wire extending from the junction. The thermocouple wire is placed flat against the package case to avoid measurement errors caused by cooling effects of the thermocouple wire.

## 8 Dimensions

### 8.1 Obtaining package dimensions

Package dimensions are provided in the package drawings.

To find a package drawing, go to <http://www.nxp.com> and perform a keyword search for the drawing's document number:

Package option	Document Number	Manufacture Code
32-pin QFN	<a href="#">SOT617-3<sup>1</sup></a>	98ASA01350D
48-pin LQFP	<a href="#">SOT313-3</a>	98ASH00962A
64-pin LQFP	<a href="#">SOT1699-1</a>	98ASS23234W
100-pin LQFP	<a href="#">SOT407-3</a>	98ASS23208W
100-pin MAPBGA	<a href="#">SOT1569-1</a>	98ASA00802D
144-pin LQFP	<a href="#">SOT486-2</a>	98ASS23177W
176-pin LQFP	<a href="#">SOT506-2</a>	98ASS23479W

1. 5x5 mm package

## 9 Pinouts

### 9.1 Package pinouts and signal descriptions

For package pinouts and signal descriptions, refer to the Reference Manual.

## 10 Revision History

The following table provides a revision history for this document.

**Table 57. Revision History**

Rev. No.	Date	Substantial Changes
1	12 Aug 2016	Initial release
2	03 March 2017	<ul style="list-style-type: none"> <li>• Updated description of QSPI and Clock interfaces in Key Features section</li> <li>• Updated figure: <a href="#">High-level architecture diagram for the S32K1xx family</a></li> <li>• Updated figure: <a href="#">S32K1xx product series comparison</a></li> <li>• Added note in section <a href="#">Selecting orderable part number</a></li> <li>• Updated figure: Ordering information</li> <li>• In table: <a href="#">Absolute maximum ratings</a> : <ul style="list-style-type: none"> <li>• Added footnote to <math>I_{INJPAD\_DC}</math></li> <li>• Updated min and max value of <math>I_{INJPAD\_DC}</math></li> <li>• Updated description, max and min values for <math>I_{INJSUM}</math></li> <li>• Updated <math>V_{IN\_TRANSIENT}</math></li> </ul> </li> <li>• In table: <a href="#">Voltage and current operating requirements</a> : <ul style="list-style-type: none"> <li>• Renamed <math>V_{SUP\_OFF}</math></li> <li>• Updated max value of <math>V_{DD\_OFF}</math></li> <li>• Removed <math>V_{INA}</math> and <math>V_{IN}</math></li> <li>• Added <math>V_{REFH}</math> and <math>V_{REFL}</math></li> <li>• Updated footnote "Typical conditions assumes <math>V_{DD} = V_{DDA} = V_{REFH} = 5</math> V ..."</li> <li>• Removed <math>I_{NJSUM\_AF}</math></li> </ul> </li> <li>• Updated footnotes in table <a href="#">Table 7</a></li> <li>• Updated section <a href="#">Power mode transition operating behaviors</a></li> <li>• In table: <a href="#">Power consumption</a> <ul style="list-style-type: none"> <li>• Added footnote "With PMC_REGSC[CLKBIASDIS] ... "</li> <li>• Updated conditions for VLPR</li> <li>• Removed Idd/MHz for S32K144</li> <li>• Updated numbers for S32K142 and S32K148</li> <li>• Removed use case footnotes</li> </ul> </li> <li>• In section <a href="#">Modes configuration</a> : <ul style="list-style-type: none"> <li>• Replaced table "Modes configuration" with spreadsheet attachment: 'S32K1xx_Power_Modes_Master_configuration_sheet'</li> </ul> </li> <li>• In table: <a href="#">DC electrical specifications at 3.3 V Range</a> : <ul style="list-style-type: none"> <li>• Added footnotes to <math>V_{ih}</math> Input Buffer High Voltage and <math>V_{ih}</math> Input Buffer Low Voltage</li> <li>• Added footnote to High drive port pins</li> </ul> </li> <li>• In table: <a href="#">DC electrical specifications at 5.0 V Range</a> :</li> </ul>

Table continues on the next page...

## Revision History

Table 57. Revision History

Rev. No.	Date	Substantial Changes
		<ul style="list-style-type: none"> <li>• Added footnotes <math>V_{ih}</math> Input Buffer High Voltage and <math>V_{ih}</math> Input Buffer Low Voltage</li> <li>• Updated table: <a href="#">AC electrical specifications at 3.3 V range</a></li> <li>• Updated table: <a href="#">AC electrical specifications at 5 V range</a></li> <li>• In table: <a href="#">Standard input pin capacitance</a> <ul style="list-style-type: none"> <li>• Added footnote to Normal run mode (S32K14x series)</li> </ul> </li> <li>• Removed note from 1M ohms Feedback Resistor in figure <a href="#">Oscillator connections scheme</a></li> <li>• In table: <a href="#">External System Oscillator electrical specifications</a> <ul style="list-style-type: none"> <li>• Updated typical of <math>I_{DDOSC}</math> Supply current — low-gain mode (low-power mode) (HGO=0) 1 for 4 and 8 MHz</li> <li>• Removed rows for <math>I_{lk\_ext}</math> EXTAL/XTAL impedance High-frequency, low-gain mode (low-power mode) and high-frequency, high-gain mode and <math>V_{EXTAL}</math></li> <li>• Updated Typ. of <math>R_S</math> low-gain mode</li> <li>• Updated description of <math>R_F</math>, <math>R_S</math>, and <math>V_{PP}</math></li> <li>• Removed footnote from <math>R_F</math> Feedback resistor</li> <li>• Updated footnote for <math>C_1</math> <math>C_2</math> and <math>R_F</math></li> </ul> </li> <li>• In table: <a href="#">Table 28</a> <ul style="list-style-type: none"> <li>• Removed mention of high-frequency</li> <li>• Added HGO 0, 1 information</li> </ul> </li> <li>• In table: <a href="#">Fast internal RC Oscillator electrical specifications</a> <ul style="list-style-type: none"> <li>• Updated <math>F_{FIRC}</math></li> <li>• Updated description of <math>\Delta F</math></li> <li>• Updated typ and max values of <math>T_{JIT}</math> cycle-to-cycle jitter and <math>T_{JIT}</math> Long term jitter over 1000 cycles</li> <li>• Added footnotes to <math>T_{JIT}</math> cycle-to-cycle jitter and <math>T_{JIT}</math> Long term jitter over 1000 cycles</li> <li>• Updated naming convention of <math>I_{DDFIRC}</math> Supply current</li> <li>• Added footnote to <math>I_{DDFIRC}</math> Supply current</li> <li>• Added footnote to column Parameter</li> </ul> </li> <li>• In table: <a href="#">Slow internal RC oscillator (SIRC) electrical specifications</a> <ul style="list-style-type: none"> <li>• Removed <math>V_{DD}</math> Supply current in 2 MHz Mode</li> <li>• Removed footnote and updated description of <math>\Delta F</math></li> <li>• Updated footnote to <math>F_{SIRC}</math> and <math>I_{DSSIRC}</math></li> </ul> </li> <li>• In table: <a href="#">SPLL electrical specifications</a> <ul style="list-style-type: none"> <li>• Added row for <math>F_{SPLL\_REF}</math> PLL Reference</li> <li>• Updated naming convention throughout the table</li> <li>• Updated the max value of <math>T_{SPLL\_LOCK}</math> Lock detector detection time</li> </ul> </li> <li>• In table: <a href="#">Flash timing specifications — commands</a> <ul style="list-style-type: none"> <li>• Added footnotes: <ul style="list-style-type: none"> <li>• All command times assumes ...</li> <li>• For all EEPROM Emulation terms ...</li> <li>• 'First time' EERAM writes after a POR ...</li> </ul> </li> <li>• Removed footnote 'Assumes 25 MHz or ...'</li> <li>• Updated Max of <math>t_{eewr32bers}</math></li> <li>• Added parameters <math>t_{quickwr}</math> and <math>t_{quickwrCinup}</math></li> </ul> </li> <li>• In table: <a href="#">Reliability specifications</a> <ul style="list-style-type: none"> <li>• Removed Typ. values for all parameters</li> <li>• Removed footnote 'Typical values represent ...'</li> <li>• Added footnote 'Any other EEE driver usage ...'</li> </ul> </li> <li>• Updated <a href="#">QuadSPI AC specifications</a></li> <li>• Removed topic: Reliability, Safety and Security modules</li> <li>• In table: <a href="#">12-bit ADC operating conditions</a> <ul style="list-style-type: none"> <li>• Updated <math>V_{DDA}</math></li> </ul> </li> </ul>

Table continues on the next page...

Table 57. Revision History (continued)

Rev. No.	Date	Substantial Changes
		<ul style="list-style-type: none"> <li>Updated values for <math>V_{REFH}</math> and <math>V_{REFL}</math> to add reference to the section "voltage and current operating requirements" for Min and Max values</li> <li>Updated footnote to Typ.</li> <li>Removed footnote from RAS Analog source resistance</li> <li>Updated figure: ADC input impedance equivalency diagram</li> <li>In table: <a href="#">12-bit ADC characteristics (2.7 V to 3 V)</a> (<math>V_{REFH} = V_{DDA}</math>, <math>V_{REFL} = V_{SS}</math>) <ul style="list-style-type: none"> <li>Removed rows for <math>V_{TEMP\_S}</math> and <math>V_{TEMP25}</math></li> <li>Updated footnote to Typ.</li> </ul> </li> <li>In table: <a href="#">12-bit ADC characteristics (3 V to 5.5 V)</a> (<math>V_{REFH} = V_{DDA}</math>, <math>V_{REFL} = V_{SS}</math>) <ul style="list-style-type: none"> <li>Removed rows for <math>V_{TEMP\_S}</math> and <math>V_{TEMP25}</math></li> <li>Removed number for TUE</li> <li>Updated footnote to Typ.</li> </ul> </li> <li>In table: <a href="#">Comparator with 8-bit DAC electrical specifications</a> <ul style="list-style-type: none"> <li>Updated Typ. of <math>I_{DDL5}</math> Supply current, Low-speed mode</li> <li>Updated Typ. of <math>t_{DL5B}</math> Propagation delay, Low-speed mode</li> <li>Updated Typ. of <math>t_{DH5S}</math> Propagation delay, High-speed mode</li> <li>Updated <math>t_{DL5S}</math> Propagation delay</li> <li>Added row for <math>t_{DDAC}</math> Initialization and switching settling time</li> <li>Updated footnote</li> </ul> </li> <li>Updated section <a href="#">LPSPI electrical specifications</a></li> <li>Added section: <a href="#">SAI electrical specifications</a></li> <li>Updated section: <a href="#">Ethernet AC specifications</a></li> <li>Added section: <a href="#">Clockout frequency</a></li> <li>Added section: <a href="#">Trace electrical specifications</a></li> <li>Updated table: <a href="#">Table 55</a> : Updated numbers for S32K142 and S32K148</li> <li>Updated table: <a href="#">Table 56</a> : Updated numbers for S32K148</li> <li>Updated Document number for 32-pin QFN in topic <a href="#">Obtaining package dimensions</a></li> </ul>
3	14 March 2017	<ul style="list-style-type: none"> <li>In <a href="#">Table 3</a> <ul style="list-style-type: none"> <li>Updated min. value of <math>V_{DD\_OFF}</math></li> <li>Added parameter <math>I_{INJ\_SUM\_AF}</math></li> </ul> </li> <li>Updated <a href="#">Power mode transition operating behaviors</a></li> <li>Updated <a href="#">Power consumption</a></li> <li>Updated footnote to <math>T_{SPLL\_LOCK}</math> in <a href="#">SPLL electrical specifications</a></li> <li>In <a href="#">12-bit ADC electrical characteristics</a> <ul style="list-style-type: none"> <li>Updated table: <a href="#">12-bit ADC characteristics (2.7 V to 3 V)</a> (<math>V_{REFH} = V_{DDA}</math>, <math>V_{REFL} = V_{SS}</math>) <ul style="list-style-type: none"> <li>Added typ. value to <math>I_{DDA\_ADC}</math>, TUE, DNL, and INL</li> <li>Added min. value to SMPLTS</li> <li>Removed footnote 'All the parameters in this table ... '</li> </ul> </li> <li>Updated table: <a href="#">12-bit ADC characteristics (3 V to 5.5 V)</a> (<math>V_{REFH} = V_{DDA}</math>, <math>V_{REFL} = V_{SS}</math>) <ul style="list-style-type: none"> <li>Added typ. value to <math>I_{DDA\_ADC}</math></li> <li>Removed footnote 'All the parameters in this table ... '</li> </ul> </li> </ul> </li> <li>In <a href="#">Flash timing specifications — commands</a> updated Max. value of <math>t_{Vfykey}</math> to 33 <math>\mu</math>s</li> </ul>
4	02 June 2017	<ul style="list-style-type: none"> <li>In section: <a href="#">Block diagram</a>, added block diagram for S32K11x series.</li> <li>Updated figure: <a href="#">S32K1xx product series comparison</a>.</li> <li>In section: <a href="#">Selecting orderable part number</a> , added reference to attachment <a href="#">S32K_Part_Numbers.xlsx</a>.</li> <li>In section: <a href="#">Ordering information</a> <ul style="list-style-type: none"> <li>Updated figure: Ordering information.</li> </ul> </li> <li>In <a href="#">Table 1</a>,</li> </ul>

Table continues on the next page...

## Revision History

Table 57. Revision History (continued)

Rev. No.	Date	Substantial Changes
		<ul style="list-style-type: none"> <li>• Updated note 'All the limits defined ...'</li> <li>• Updated parameter 'I<sub>INJPAD_DC_ABS</sub>', 'V<sub>IN_DC</sub>', I<sub>INJSUM_DC_ABS</sub>.</li> <li>• In <a href="#">Table 3</a>, <ul style="list-style-type: none"> <li>• Updated parameter I<sub>INJPAD_DC_OP</sub> and I<sub>INJSUM_DC_OP</sub>.</li> </ul> </li> <li>• In <a href="#">Table 8</a>, updated TBDs for V<sub>LVR_HYST</sub>, V<sub>LVD_HYST</sub>, and V<sub>LVW_HYST</sub></li> <li>• In <a href="#">Power mode transition operating behaviors</a>, <ul style="list-style-type: none"> <li>• Added VLPR → VLPS</li> <li>• Added VLPS → VLPR</li> <li>• Updated TBDs for VLPS → Asynchronous DMA Wakeup, STOP1 → Asynchronous DMA Wakeup, and STOP2 → Asynchronous DMA Wakeup</li> </ul> </li> <li>• In <a href="#">Table 13</a>, updated the specifications for S32K144.</li> <li>• Updated the attachment <i>S32K1xx_Power_Modes_Configuration.xlsx</i>.</li> <li>• In <a href="#">Table 25</a>, removed C<sub>IN_A</sub>.</li> <li>• In <a href="#">Table 27</a>, <ul style="list-style-type: none"> <li>• Updated specificatins for g<sub>mXOSC</sub>.</li> <li>• Removed I<sub>DDOSC</sub></li> </ul> </li> <li>• In <a href="#">Table 29</a>, <ul style="list-style-type: none"> <li>• Added parameter ΔF125.</li> <li>• Removed I<sub>DDFIRC</sub></li> </ul> </li> <li>• In <a href="#">Table 31</a>, <ul style="list-style-type: none"> <li>• Added parameter ΔF125.</li> <li>• Removed I<sub>DDSIRC</sub></li> </ul> </li> <li>• In <a href="#">Table 33</a>, removed I<sub>LPO</sub></li> <li>• Updated section: <a href="#">Flash memory module (FTFC/FTFM) electrical specifications</a></li> <li>• In section: <a href="#">12-bit ADC operating conditions</a>, <ul style="list-style-type: none"> <li>• Updated TBDs for I<sub>DDA_ADC</sub> and TUE in <a href="#">Table 41</a></li> <li>• Updated TBDs for I<sub>DDA_ADC</sub> and TUE in <a href="#">Table 42</a></li> </ul> </li> <li>• In section: <a href="#">QuadSPI AC specifications</a>, updated figure 'QuadSPI output timing (HyperRAM mode) diagram'.</li> <li>• In section: <a href="#">12-bit ADC operating conditions</a>, updated <a href="#">Table 40</a>.</li> <li>• In section: <a href="#">CMP with 8-bit DAC electrical specifications</a>, added note 'For comparator IN signals adjacent ...'</li> <li>• In table: <a href="#">Table 46</a>, minor update in footnote 6.</li> <li>• In table: <a href="#">Table 55</a>, updated specifications for S32K146.</li> </ul>
5	06 Dec 2017	<ul style="list-style-type: none"> <li>• Removed S32K148 from 'Caution'</li> <li>• Updated figure: <a href="#">S32K1xx product series comparison</a> for <ul style="list-style-type: none"> <li>• 'EEPROM emulated by FlexRAM' of S32K148 (Added content to footnote)</li> <li>• Added support for LIN protocol version 2.2 A</li> </ul> </li> <li>• In <a href="#">Absolute maximum ratings</a> : <ul style="list-style-type: none"> <li>• Added note 'Unless otherwise ...'</li> <li>• Added parameter 'Added note 'T<sub>ramp_MCU</sub>'</li> <li>• Updated footnote for 'T<sub>ramp</sub>'</li> </ul> </li> <li>• In <a href="#">Voltage and current operating requirements</a> : <ul style="list-style-type: none"> <li>• Added footnote 'V<sub>DD</sub> and V<sub>DDA</sub> must be shorted ...' against parameter 'V<sub>DD</sub>-V<sub>DDA</sub>'</li> <li>• Updated footnote 'V<sub>DD</sub> and V<sub>DDA</sub> must be shorted ...'</li> </ul> </li> <li>• In <a href="#">Power and ground pins</a> <ul style="list-style-type: none"> <li>• Added diagrams for 32-QFN and 48-LQFP and footnote below the diagrams.</li> <li>• Updated footnote 'V<sub>DD</sub> and V<sub>DDA</sub> must be shorted ...'</li> </ul> </li> <li>• In <a href="#">Power mode transition operating behaviors</a> :</li> </ul>

Table continues on the next page...

**Table 57. Revision History**

Rev. No.	Date	Substantial Changes
		<ul style="list-style-type: none"> <li>• Added footnote 'For S32K11x – FIRC/SOSC/FIRC/LPO; For S32K14x – FIRC/SOSC/FIRC/LPO/SPLL' to 'VLPS Mode: All clock sources disabled'</li> <li>• Updated numbers for:               <ul style="list-style-type: none"> <li>• VLPR → VLPS</li> <li>• VLPS → VLPR</li> <li>• 'RUN → Compute operation'</li> <li>• RUN → VLPS</li> <li>• RUN → VLPR</li> </ul> </li> <li>• In <a href="#">Power consumption</a> :               <ul style="list-style-type: none"> <li>• Updated specs for S32K142, S32K144, and S32K148</li> <li>• Updated footnote 'Typical current numbers are indicative ...'</li> <li>• Updated footnote 'The S32K148 data ...'</li> <li>• Removed footnote 'Above S32K148 data is preliminary targets only'</li> <li>• Added new table 'Power consumption at 3.3 V'</li> </ul> </li> <li>• In <a href="#">General AC specifications</a> :               <ul style="list-style-type: none"> <li>• Updated max value and footnote of WFRST</li> <li>• Updated symbol for not filtered pulse to 'WNFRST', updated min value, removed max. value, and added footnote</li> </ul> </li> <li>• Fixed naming conventions to align with DS in <a href="#">DC electrical specifications at 3.3 V Range</a> and <a href="#">DC electrical specifications at 5.0 V Range</a></li> <li>• Updated specs for <a href="#">AC electrical specifications at 3.3 V range</a> and <a href="#">AC electrical specifications at 5 V range</a></li> <li>• In <a href="#">Device clock specifications</a> :               <ul style="list-style-type: none"> <li>• Updated <math>f_{BUS}</math> to 48 for 11x</li> <li>• Added footnote to <math>f_{BUS}</math> for 14x</li> </ul> </li> <li>• In <a href="#">External System Oscillator frequency specifications</a> :               <ul style="list-style-type: none"> <li>• Added specs for S32K11x</li> <li>• Updated '<math>t_{dc\_extal}</math>' for S32K14x</li> <li>• Added footnote 'Frequencies below ...' to '<math>f_{ec\_extal}</math>' and '<math>t_{dc\_extal}</math>'</li> </ul> </li> <li>• Split <a href="#">Flash timing specifications — commands</a> for S32K14x and S32K11x</li> <li>• Updated <a href="#">Flash timing specifications — commands</a> for S32K14x</li> <li>• In <a href="#">Reliability specifications</a> :               <ul style="list-style-type: none"> <li>• Added footnote 'Data retention period ...' for 'tnvmretp1k' and 'tnvmretee'</li> <li>• Minor update in footnote for 'nnvmwree16' 'nnvmwree256'</li> </ul> </li> <li>• In <a href="#">QuadSPI AC specifications</a> :               <ul style="list-style-type: none"> <li>• Updated 'MCR[SCLKCFG[5]]' value to 0</li> <li>• Updated 'Data Input Setup Time' HSRUN Internal DQS PAD Loopback value to 1.6</li> <li>• Updated 'Data Input Setup Time' DDR External DQS min. value to 2</li> <li>• Updated 'Data Input Hold Time' DDR External DQS min. value to 20</li> <li>• Updated figure 'QuadSPI output timing (SDR mode) diagram' and 'QuadSPI input timing (HyperRAM mode) diagram'</li> </ul> </li> <li>• In <a href="#">12-bit ADC electrical characteristics</a> :               <ul style="list-style-type: none"> <li>• Added note 'On reduced pin packages where ...'</li> <li>• Removed max. value of '<math>I_{DDA\_ADC}</math>'</li> <li>• Added note 'Due to triple ...'</li> </ul> </li> <li>• In <a href="#">12-bit ADC operating conditions</a>, removed parameter '<math>\Delta V_{DDA}</math>'</li> <li>• In <a href="#">CMP with 8-bit DAC electrical specifications</a> :               <ul style="list-style-type: none"> <li>• Updated Typ. and Max. values of '<math>I_{DDL5}</math>'</li> <li>• Updated Typ. value of '<math>t_{DHSB}</math>'</li> <li>• Updated Typ. value of '<math>V_{HYST1}</math>', '<math>V_{HYST2}</math>', and '<math>V_{HYST3}</math>'</li> </ul> </li> <li>• In <a href="#">LPSPI electrical specifications</a> :               <ul style="list-style-type: none"> <li>• Updated '<math>f_{periph}</math>' and '<math>f_{op}</math>', and '<math>t_{SPSCK}</math>'</li> </ul> </li> </ul>

Table continues on the next page...

## Revision History

Table 57. Revision History (continued)

Rev. No.	Date	Substantial Changes
		<ul style="list-style-type: none"> <li>Updated 3.3 V numbers and added footnote against <math>f_{op}</math>, <math>t_{SU}</math>, and <math>t_V</math> in HSRUN Mode</li> <li>Added footnote to '<math>t_{WSPCK}</math>'</li> <li>Updated <a href="#">Thermal characteristics</a> for S32K11x</li> </ul>
6	31 Jan 2018	<ul style="list-style-type: none"> <li>Changed the representation of ARM trademark throughout.</li> <li>Removed S32K142 from 'Caution'</li> <li>In 'Key features', added the following note under 'Power management', 'Memory and memory interfaces', and 'Reliability, safety and security': <ul style="list-style-type: none"> <li>No write or erase access to ...</li> </ul> </li> <li>In <a href="#">High-level architecture diagram for the S32K14x family</a>, added the following footnote: <ul style="list-style-type: none"> <li>No write or erase access to ...</li> </ul> </li> <li>In <a href="#">High-level architecture diagram for the S32K11x family</a> : <ul style="list-style-type: none"> <li>Minor editorial update: Fixed the placement of SRAM, under 'Flash memory controller' block</li> </ul> </li> <li>Updated figure: <a href="#">S32K1xx product series comparison</a> : <ul style="list-style-type: none"> <li>Updated footnote 1, and added against 'HSRUN' in addition to 'HW security module (CSEc)' and 'EEPROM emulated by FlexRAM'.</li> <li>Updated 'System RAM (including FlexRAM and MTB)' row for S32K144, S32K146, and S32K148.</li> <li>Updated channel count for S32K116 in row '12-bit SAR ADC (1 MSPS each)'.</li> </ul> </li> <li>Updated <a href="#">Ordering information</a></li> <li>Updated <a href="#">Flash timing specifications — commands</a> for S32K148, S32K142, S32K146, S32K116, and S32K118.</li> </ul>
7	19 April 2018	<ul style="list-style-type: none"> <li>Changed Caution to Notes <ul style="list-style-type: none"> <li>Updated the wordings of Notes and removed S32K146</li> <li>Added 'Following two are the available ...'</li> </ul> </li> <li>In 'Key features' : <ul style="list-style-type: none"> <li>Editorial updates</li> <li>Updated the note under Power management, Memory and memory interfaces, and Safety and security.</li> <li>Updated FlexIO under Communications interfaces</li> <li>Added ENET and SAI under Communications interfaces</li> <li>Updated Cryptographic Services Engine (CSEc) under 'Safety and security'</li> </ul> </li> <li>In <a href="#">High-level architecture diagram for the S32K14x family</a> : <ul style="list-style-type: none"> <li>Minor editorial updates</li> <li>Updated note 3</li> </ul> </li> <li>In <a href="#">High-level architecture diagram for the S32K11x family</a> : <ul style="list-style-type: none"> <li>Minor editorial updates</li> </ul> </li> <li>In figure: <a href="#">S32K1xx product series comparison</a> : <ul style="list-style-type: none"> <li>Editorial updates</li> <li>Updated Frequency for S32K14x</li> <li>Updated footnote 4</li> <li>Added footnote 5</li> </ul> </li> <li>In <a href="#">Ordering information</a> : <ul style="list-style-type: none"> <li>Renamed section, updated the starting paragraph</li> <li>Updated the figure</li> </ul> </li> <li>In <a href="#">Voltage and current operating requirements</a>, updated the note</li> <li>In <a href="#">Power consumption</a> : <ul style="list-style-type: none"> <li>Updated specs for S32K146</li> <li>Removed section 'Modes configuration', and moved its content under the first paragraph.</li> </ul> </li> <li>In <a href="#">12-bit ADC operating conditions</a> :</li> </ul>

Table continues on the next page...

Table 57. Revision History (continued)

Rev. No.	Date	Substantial Changes
		<ul style="list-style-type: none"> <li>• Fixed the typo in <math>R_{SW1}</math></li> <li>• In <a href="#">LPSPI electrical specifications</a> : <ul style="list-style-type: none"> <li>• Updated <math>t_{Lead}</math> and <math>t_{Lag}</math></li> <li>• Added footnote in Figure: LPSPI slave mode timing (CPHA = 0) and Figure: LPSPI slave mode timing (CPHA = 1)</li> </ul> </li> <li>• In <a href="#">Thermal characteristics</a> : <ul style="list-style-type: none"> <li>• Updated the name of table: Thermal characteristics for 32-pin QFN and 48/64/100/144/176-pin LQFP package</li> <li>• Deleted specs for <math>R_{\theta JC}</math> for 32 QFN package</li> <li>• Added '<math>R_{\theta JCBottom}</math>'</li> </ul> </li> </ul>
8	18 June 2018	<ul style="list-style-type: none"> <li>• In attachment '<a href="#">S32K1xx_Power_Modes_Configuration</a>': <ul style="list-style-type: none"> <li>• Updated VLPR peripherals disabled and Peripherals Enabled use case #1, using 4 Mhz for System clock, 2 Mhz for bus clock, and 1Mhz for flash.</li> </ul> </li> <li>• Removed S32K116 from Notes</li> <li>• In figure: <a href="#">S32K1xx product series comparison</a> : <ul style="list-style-type: none"> <li>• Added note 'Availability of peripherals depends on the pin availability ...'</li> <li>• Updated 'Ambient Operation Temperature' row</li> <li>• Updated 'System RAM (including FlexRAM and MTB)' row for S32K144, S32K146, and S32K148</li> </ul> </li> <li>• In <a href="#">Ordering information</a> : <ul style="list-style-type: none"> <li>• Updated figure for 'Y: Optional feature'</li> <li>• Updated footnote 3</li> </ul> </li> <li>• In <a href="#">Power and ground pins</a> : <ul style="list-style-type: none"> <li>• In figure 'Power diagram', updated <math>V_{Flash}</math> frequency to 3.3 V</li> </ul> </li> <li>• In <a href="#">Power mode transition operating behaviors</a> : <ul style="list-style-type: none"> <li>• Updated footnote for 'VLPS Mode: All clock sources disabled'</li> </ul> </li> <li>• In <a href="#">Power consumption</a> : <ul style="list-style-type: none"> <li>• Added <math>I_{DD}</math>s for S32K116</li> <li>• Added VLPR Peripherals enabled use case 2 at 125 °C/Typicals</li> <li>• Renamed VLPR 'Peripherals enabled' to 'Peripherals enabled use case 1'</li> <li>• Added footnote 'Data collected using RAM' to VLPR 'Peripherals disabled' and VLPR 'Peripherals enabled use case 1'</li> <li>• Updated VLPS Peripherals enabled at 25 °C/Typicals for S32K142 and S32K144 to 40 <math>\mu A</math> and 42 <math>\mu A</math> respectively</li> <li>• Added table 'VLPS additional use-case power consumption at typical conditions'</li> </ul> </li> <li>• In <a href="#">DC electrical specifications at 3.3 V Range</a> : <ul style="list-style-type: none"> <li>• Updated naming conventions</li> <li>• Added specs for GPIO-FAST pad</li> </ul> </li> <li>• In <a href="#">DC electrical specifications at 5.0 V Range</a> : <ul style="list-style-type: none"> <li>• Updated naming conventions</li> <li>• Added specs for GPIO-FAST pad</li> </ul> </li> <li>• In <a href="#">AC electrical specifications at 3.3 V range</a> : <ul style="list-style-type: none"> <li>• Updated naming conventions</li> <li>• Added specs for GPIO-FAST pad</li> </ul> </li> <li>• In <a href="#">AC electrical specifications at 5 V range</a> : <ul style="list-style-type: none"> <li>• Updated naming conventions</li> <li>• Added specs for GPIO-FAST pad</li> </ul> </li> <li>• In <a href="#">External System Oscillator electrical specifications</a> : <ul style="list-style-type: none"> <li>• Clarified description of <math>g_{mXOSC}</math></li> <li>• Updated <math>V_{IL}</math> max. to 1.15 V</li> </ul> </li> <li>• In <a href="#">Fast internal RC Oscillator (FIRC) electrical specifications</a> :</li> </ul>

Table continues on the next page...

## Revision History

Table 57. Revision History (continued)

Rev. No.	Date	Substantial Changes
		<ul style="list-style-type: none"> <li>Updated specs for <math>T_{JIT}</math> Cycle-to-Cycle jitter to 300 ps</li> <li>In <a href="#">QuadSPI AC specifications</a> : <ul style="list-style-type: none"> <li>Updated specs for <math>T_{iv}</math> Data Output In-Valid Time</li> <li>In figure 'QuadSPI output timing (SDR mode) diagram', marked Invalid area</li> </ul> </li> <li>In <a href="#">CMP with 8-bit DAC electrical specifications</a> : <ul style="list-style-type: none"> <li>Removed '(VAIO)' from description of <math>V_{HYST0}</math></li> </ul> </li> <li>In <a href="#">LPSPi electrical specifications</a> : <ul style="list-style-type: none"> <li>Added note 'Undefined' in figures 'LPSPi slave mode timing (CPHA = 0)' and 'LPSPi slave mode timing (CPHA = 1)'</li> </ul> </li> </ul>
9	18 Sep 2018	<ul style="list-style-type: none"> <li>In attachment '<a href="#">S32K1xx_Power_Modes_Configuration</a>': <ul style="list-style-type: none"> <li>Added separate sheet for S32K14x and S32K11x devices</li> <li>Renamed VLPS (Peripherals Enabled) to VLPS (LPTMR enabled)</li> </ul> </li> <li>Removed Note "Technical information ..."</li> <li>In Features: <ul style="list-style-type: none"> <li>Updated Clock interfaces for '4 – 40 MHz fast external oscillator (SOSC)' and 'Real Time Counter'</li> <li>Added 'Up to 20 MHz TCLK and 25 MHz SWD_CLK'</li> </ul> </li> <li>In <a href="#">Absolute maximum ratings</a> : Updated footnote 3 '60 seconds lifetime ...'</li> <li>Updated title of table <a href="#">Thermal operating characteristics</a></li> <li>In <a href="#">Ordering information</a> : <ul style="list-style-type: none"> <li>Updated 'Temperature'</li> <li>Updated 'Wafer Fab and Mask revision identifier'</li> </ul> </li> <li>In <a href="#">Power consumption</a> : <ul style="list-style-type: none"> <li>Renamed 'VLPS Peripheral enabled' to 'LPTMR enabled'</li> <li>Added IDD for S32K118 for 85 °C, 105 °C and 125 °C</li> <li>Updated IDDs for S32K118 for 25 °C</li> <li>Added IDDs for VLPR Peripherals enabled use case 2 for S32K116</li> <li>Updated IDDs and added footnotes in table 'VLPS additional use-case power consumption at typical conditions'</li> </ul> </li> <li>In <a href="#">General AC specifications</a> : <ul style="list-style-type: none"> <li>Updated footnote of WFRST and WFRST</li> </ul> </li> <li>In <a href="#">External System Oscillator electrical specifications</a> : <ul style="list-style-type: none"> <li>Added footnote to <math>R_S</math></li> <li>Renamed <math>V_{pp}</math> to <math>V_{pp\_XTAL}</math> and updated the description accordingly</li> <li>Added <math>V_{pp\_EXTAL}</math></li> <li>Added <math>V_{SOSCOP}</math></li> <li>Updated equation '<math>gm\_crit = 4 \dots</math>' in footnote 1</li> </ul> </li> <li>In <a href="#">External System Oscillator frequency specifications</a> : <ul style="list-style-type: none"> <li>Added footnote "For an ideal clock of 40 MHz, if permitted ..." to <math>f_{osc\_hi\ max}</math>.</li> </ul> </li> <li>In <a href="#">Fast internal RC Oscillator (FIRC) electrical specifications</a> : <ul style="list-style-type: none"> <li>Updated note "Fast internal ..."</li> </ul> </li> <li>In <a href="#">LPSPi electrical specifications</a> : <ul style="list-style-type: none"> <li>Updated figures 'LPSPi slave mode timing (CPHA = 0)' and 'LPSPi slave mode timing (CPHA = 1)'</li> </ul> </li> </ul>
10	09 May 2019	<ul style="list-style-type: none"> <li>In Notes: Added note 'Technical information for the S32K148 ...'</li> <li>In attachment '<a href="#">S32K1xx_Orderable_Part_Number_List</a>': <ul style="list-style-type: none"> <li>Added ISELED PN</li> <li>Added PN for new package offering (48-pin LQFP S32K142; 48-pin LQFP S32K144; 100-pin LQFP S32K148)</li> <li>Added NFC PN</li> <li>Added UA as S32K148 Standard PN</li> <li>Updated Standard Base Feature Offer</li> </ul> </li> <li>In figure '<a href="#">S32K1xx product series comparison</a>' :</li> </ul>

Table continues on the next page...

Table 57. Revision History (continued)

Rev. No.	Date	Substantial Changes
		<ul style="list-style-type: none"> <li>Added 48-pin LQFP for S32K142 and S32K144</li> <li>Added 100-pin LQFP for S32K148, along with footnote</li> <li>In <a href="#">Ordering information</a> : <ul style="list-style-type: none"> <li>Updated 'Ordering option'</li> <li>Updated note 2</li> </ul> </li> <li>In <a href="#">Thermal characteristics</a> : <ul style="list-style-type: none"> <li>Added values for 48-pin LQFP for S32K142 and S32K144</li> <li>Added values for 100-pin LQFP for S32K148</li> </ul> </li> </ul>
11	27 June 2019	<ul style="list-style-type: none"> <li>In Notes: Removed note 'Technical information for the S32K148 ... '</li> </ul>
12	04 Feb 2020	<ul style="list-style-type: none"> <li>In Notes: Added note: 'Technical information for ...'</li> <li>Added S32K14xW information throughout</li> <li>Removed "Under development" from the footnote number 6 in <a href="#">Figure 3</a>.</li> <li>Updated <a href="#">Trace electrical specifications</a> to clarify that the section applies only for ETM Trace and is supported only by S32K148.</li> <li>In <a href="#">Table 28</a>, added a new footnote from <math>f_{osc\_hi}</math> Max entry.</li> <li>Updated <a href="#">Figure 21</a> for number 8.</li> <li>In <a href="#">Reliability specifications</a>, <math>t_{nvmretee}</math> is changed to <math>t_{nvmretee100}</math>, and added a new row for the parameter <math>t_{nvmretee10}</math>. And footnotes are updated in this topic.</li> </ul>
13	05 April 2020	<ul style="list-style-type: none"> <li>In <a href="#">LVR, LVD and POR operating requirements</a>, <ul style="list-style-type: none"> <li>Updated table title for S32K14xW series</li> <li>Updated values for <math>V_{LVR}</math> for S32K14xW series</li> </ul> </li> <li>In <a href="#">Absolute maximum ratings</a>, updated <math>T_J</math> for S32K14xW series</li> <li>In <a href="#">Thermal operating characteristics</a>, updated <math>T_J</math> for S32K14xW series</li> <li>In <a href="#">External System Oscillator electrical specifications</a>, added note 'Minimum value is shown as a reference only ... ' to <math>V_{pp\_EXTAL}</math></li> </ul>
14	10 August 2021	<ul style="list-style-type: none"> <li>In <a href="#">Table 45</a>, fixed broken footnotes in symbols <math>I_{DDL5}</math> and DNL.</li> <li>In <a href="#">Table 9</a>, <ul style="list-style-type: none"> <li>Changed <math>V_{LVW}</math> Min from 4.19 to 4.17.</li> <li>Changed values for <math>V_{LVR}</math>.</li> <li>Updated values for <math>V_{LVR}</math> for S32K14xW series.</li> </ul> </li> <li>In <a href="#">ESD and latch-up protection characteristics</a>, changed the name of the section, added footnotes in the table and removed the "Notes" column from the table.</li> <li>In <a href="#">SPLL electrical specifications</a>, moved the Typical timings to Maximum for <math>J_{ACC\_SPLL}</math>.</li> <li>In <a href="#">SPLL electrical specifications</a>, added footnote to Maximum values of <math>J_{ACC\_SPLL}</math>.</li> <li>In <a href="#">Table 8</a> and <a href="#">Table 9</a>, added footnote " In 3.3 V range, the VLVW is always set since supply remains below VLVW range. Hence PMC.LVDSC2[LVWIE] should remain cleared while device operates in 3.3 V range".</li> <li>In <a href="#">External System Oscillator frequency specifications</a> updated the footnotes for symbols <math>f_{osc\_hi}</math>, <math>f_{ec\_extal}</math> and <math>f_{dc\_extal}</math>.</li> <li>Updated <a href="#">Table 56</a>.</li> <li>In <a href="#">Table 11</a>, removed TBD.</li> <li>In <a href="#">Ordering information</a>, updated the ordering information figure.</li> <li>In <a href="#">Table 13</a>, removed TBD for S32K14xW.</li> <li>In <a href="#">Table 18</a> and <a href="#">Table 20</a>, added EXTAL pin PTB6 parameter and values for IIN.</li> <li>In <a href="#">Table 13</a> and <a href="#">Table 14</a>, removed TBD for S32K14xW</li> <li>In <a href="#">Table 26</a> removed the <math>f_{ERCLK}</math> entry.</li> <li>In <a href="#">Table 35</a>, updated the Typical and Max values.</li> <li>In <a href="#">12-bit ADC operating conditions</a> : <ul style="list-style-type: none"> <li>Updated Typ. and Max values for symbols <math>C_{P1}</math>, <math>C_{P2}</math>, <math>C_S</math>, <math>R_{SW1}</math> and <math>R_{AD}</math>.</li> </ul> </li> </ul>

**Revision History****Table 57. Revision History**

Rev. No.	Date	Substantial Changes
		<ul style="list-style-type: none"><li>• Added ADC power consumption.</li><li>• Added footnote "All the data mention...by NXP design team".</li><li>• In <a href="#">Table 17</a> and <a href="#">Table 19</a> updated the Typ. and Max values for Input leakage current (per pin)</li></ul>



**How to Reach Us:**

**Home Page:**

[nxp.com](http://nxp.com)

**Web Support:**

[nxp.com/support](http://nxp.com/support)

Information in this document is provided solely to enable system and software implementers to use NXP products. There are no express or implied copyright licenses granted hereunder to design or fabricate any integrated circuits based on the information in this document. NXP reserves the right to make changes without further notice to any products herein.

NXP makes no warranty, representation, or guarantee regarding the suitability of its products for any particular purpose, nor does NXP assume any liability arising out of the application or use of any product or circuit, and specifically disclaims any and all liability, including without limitation consequential or incidental damages. "Typical" parameters that may be provided in NXP data sheets and/or specifications can and do vary in different applications, and actual performance may vary over time. All operating parameters, including "typicals," must be validated for each customer application by customer's technical experts. NXP does not convey any license under its patent rights nor the rights of others. NXP sells products pursuant to standard terms and conditions of sale, which can be found at the following address: [nxp.com/SalesTermsandConditions](http://nxp.com/SalesTermsandConditions).

While NXP has implemented advanced security features, all products may be subject to unidentified vulnerabilities. Customers are responsible for the design and operation of their applications and products to reduce the effect of these vulnerabilities on customer's applications and products, and NXP accepts no liability for any vulnerability that is discovered. Customers should implement appropriate design and operating safeguards to minimize the risks associated with their applications and products.

NXP, the NXP logo, NXP SECURE CONNECTIONS FOR A SMARTER WORLD, COOLFLUX, EMBRACE, GREENCHIP, HITAG, I2C BUS, ICODE, JCOP, LIFE VIBES, MIFARE, MIFARE CLASSIC, MIFARE DESFire, MIFARE PLUS, MIFARE FLEX, MANTIS, MIFARE ULTRALIGHT, MIFARE4MOBILE, MIGLO, NTAG, ROADLINK, SMARTLX, SMARTMX, STARPLUG, TOPFET, TRENCHMOS, UCODE, Freescale, the Freescale logo, AltiVec, C-5, CodeTEST, CodeWarrior, ColdFire, ColdFire+, C-Ware, the Energy Efficient Solutions logo, Kinetis, Layerscape, MagniV, mobileGT, PEG, PowerQUICC, Processor Expert, QorIQ, QorIQ Qonverge, Ready Play, SafeAssure, the SafeAssure logo, StarCore, Symphony, VortiQa, Vybrid, Airfast, BeeKit, BeeStack, CoreNet, Flexis, MXC, Platform in a Package, QUICC Engine, SMARTMOS, Tower, TurboLink, and UMEMS are trademarks of NXP B.V. All other product or service names are the property of their respective owners. AMBA, Arm, Arm7, Arm7TDMI, Arm9, Arm11, Artisan, big.LITTLE, Cordio, CoreLink, CoreSight, Cortex, DesignStart, DynamIQ, Jazelle, Keil, Mali, Mbed, Mbed Enabled, NEON, POP, RealView, SecurCore, Socrates, Thumb, TrustZone, ULINK, ULINK2, ULINK-ME, ULINK-PLUS, ULINKpro,  $\mu$ Vision, Versatile are trademarks or registered trademarks of Arm Limited (or its subsidiaries) in the US and/or elsewhere. The related technology may be protected by any or all of patents, copyrights, designs and trade secrets. All rights reserved. Oracle and Java are registered trademarks of Oracle and/or its affiliates. The Power Architecture and Power.org word marks and the Power and Power.org logos and related marks are trademarks and service marks licensed by Power.org.

© 2015–2021 NXP B.V.

Document Number S32K1XX  
Revision 14, 08/2021



## OUR CERTIFICATE

DiGi provide top-quality products and perfect service for customer worldwide through standardization, technological innovation and continuous improvement. DiGi through third-party certification, we stricly control the quality of products and services. Welcome your RFQ to

Email: [Info@DiGi-Electronics.com](mailto:Info@DiGi-Electronics.com)



Tel: +00 852-30501935

RFQ Email: [Info@DiGi-Electronics.com](mailto:Info@DiGi-Electronics.com)

DiGi is a global authorized distributor of electronic components.