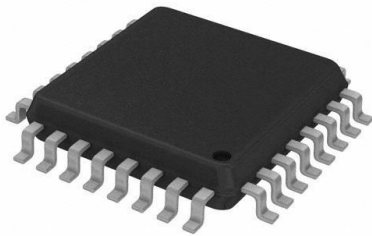
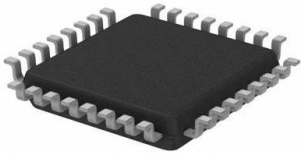


# MPC9993FA Datasheet

[www.digi-electronics.com](http://www.digi-electronics.com)



MPC9993FA

<https://www.DiGi-Electronics.com>

|                              |   |
|------------------------------|---|
| DiGi Electronics Part Number | MPC9993FA-DG  |
| Manufacturer                 | <a href="#">NXP USA Inc.</a>                          |
| Manufacturer Product Number  | MPC9993FA   |
| Description                  | IC CLOCK DRIVER 32LQFP                                |
| Detailed Description         | Clock Driver, Fanout Distribution IC 200MHz 1 32-LQFP |



Tel: +00 852-30501935

RFQ Email: [Info@DiGi-Electronics.com](mailto:Info@DiGi-Electronics.com)

DiGi is a global authorized distributor of electronic components.

## Purchase and inquiry

Manufacturer Product Number:

MPC9993FA

Series:

-

DiGi-Electronics Programmable:

Not Verified

PLL:

Yes with Bypass

Output:

LVPECL

Ratio - Input:Output:

2:5

Frequency - Max:

200MHz

Voltage - Supply:

3.135V ~ 3.465V

Mounting Type:

Surface Mount

Supplier Device Package:

32-LQFP (7x7)

Manufacturer:

NXP USA Inc.

Product Status:

Obsolete

Type:

Clock Driver, Fanout Distribution

Input:

LVPECL

Number of Circuits:

1

Differential - Input:Output:

Yes/Yes

Divider/Multiplier:

Yes/No

Operating Temperature:

-40°C ~ 85°C

Package / Case:

32-LQFP

Base Product Number:

MPC99

## Environmental & Export classification

RoHS Status:

RoHS non-compliant

REACH Status:

REACH Unaffected

HTSUS:

8542.39.0001

Moisture Sensitivity Level (MSL):

2 (1 Year)

ECCN:

EAR99

# Intelligent Dynamic Clock Switch (IDCS) PLL Clock Driver

The MPC9993 is a PLL clock driver designed specifically for redundant clock tree designs. The device receives two differential LVPECL clock signals from which it generates 5 new differential LVPECL clock outputs. Two of the output pairs regenerate the input signals frequency and phase while the other three pairs generate 2x, phase aligned clock outputs.

## Features

- Fully Integrated PLL
- Intelligent Dynamic Clock Switch
- LVPECL Clock Outputs
- LVCMOS Control I/O
- 3.3 V Operation
- 32-Lead LQFP Packaging
- 32-Lead Pb-Free Package Available

## Functional Description

The MPC9993 Intelligent Dynamic Clock Switch (IDCS) circuit continuously monitors both input CLK signals. Upon detection of a failure (CLK stuck HIGH or LOW for at least 1 period), the INP\_BAD for that CLK will be latched (H). If that CLK is the primary clock, the IDCS will switch to the good secondary clock and phase/frequency alignment will occur with minimal output phase disturbance. The typical phase bump caused by a failed clock is eliminated. (See Application Information section).

## MPC9993

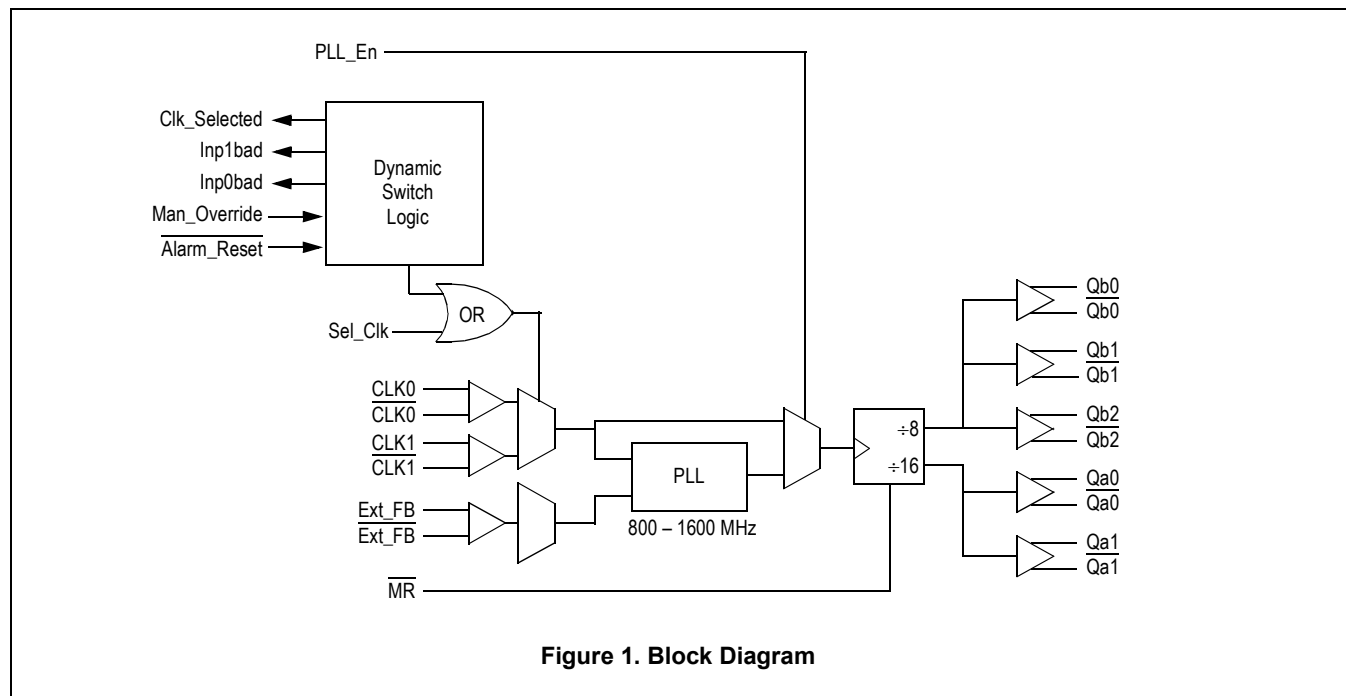
**INTELLIGENT DYNAMIC  
CLOCK SWITCH  
PLL CLOCK DRIVER**



**FA SUFFIX  
32-LEAD LQFP PACKAGE  
CASE 873A-04**



**AC SUFFIX  
32-LEAD LQFP PACKAGE  
Pb-FREE PACKAGE  
CASE 873A-04**



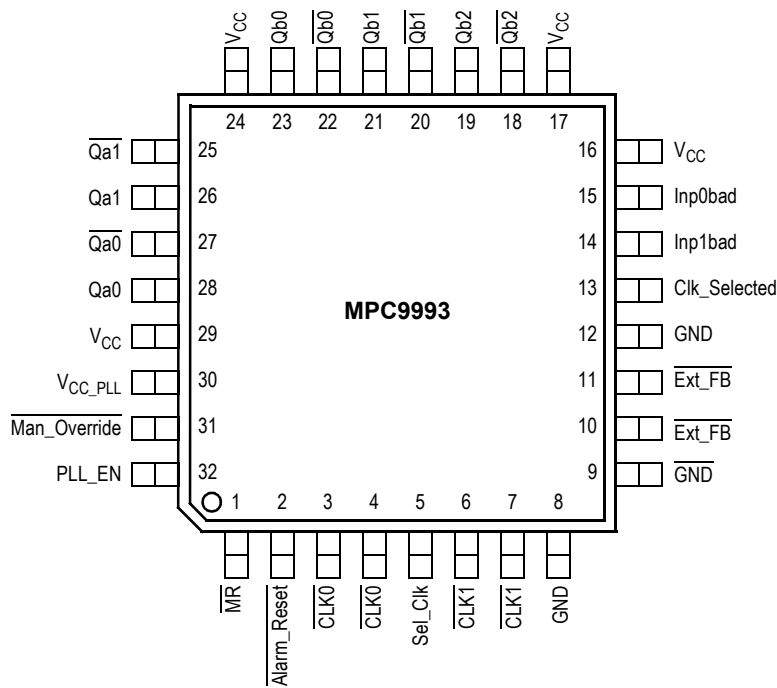


Figure 2. 32-Lead Pinout (Top View)

Table 1. Pin Descriptions

| Pin Name                            | I/O            | Pin Definition   |
|-------------------------------------|----------------|--|
| CLK0, $\overline{\text{CLK0}}$      | LVPECL Input   | Differential PLL clock reference (CLK0 pulldown, $\overline{\text{CLK0}}$ pullup)  |
| CLK1, $\overline{\text{CLK1}}$      | LVPECL Input   | Differential PLL clock reference (CLK1 pulldown, $\overline{\text{CLK1}}$ pullup)  |
| Ext_FB, $\overline{\text{Ext\_FB}}$ | LVPECL Input   | Differential PLL feedback clock (Ext_FB pulldown, $\overline{\text{Ext\_FB}}$ pullup)  |
| Qa0:1, $\overline{\text{Qa0:1}}$    | LVPECL Output  | Differential 1x output pairs   |
| Qb0:2, $\overline{\text{Qb0:2}}$    | LVPECL Output  | Differential 2x output pairs   |
| Inp0bad                             | LVC MOS Output | Indicates detection of a bad input reference clock 0 with respect to the feedback signal. The output is active HIGH and will remain HIGH until the alarm reset is asserted |
| Inp1bad                             | LVC MOS Output | Indicates detection of a bad input reference clock 1 with respect to the feedback signal. The output is active HIGH and will remain HIGH until the alarm reset is asserted |
| Clk_Selected                        | LVC MOS Output | '0' if clock 0 is selected, '1' if clock 1 is selected   |
| Alarm_Reset                         | LVC MOS Input  | '0' will reset the input bad flags and align Clk_Selected with Sel_Clk. The input is "one-shotted" (50 k $\Omega$ pullup)  |
| Sel_Clk                             | LVC MOS Input  | '0' selects CLK0, '1' selects CLK1 (50 k $\Omega$ pulldown)  |
| Manual_Override                     | LVC MOS Input  | '1' disables internal clock switch circuitry (50 k $\Omega$ pulldown)  |
| PLL_En                              | LVC MOS Input  | '0' bypasses selected input reference around the phase-locked loop (50 k $\Omega$ pullup)  |
| $\overline{\text{MR}}$              | LVC MOS Input  | '0' resets the internal dividers forcing Q outputs LOW. Asynchronous to the clock (50 k $\Omega$ pullup)   |
| V <sub>CCA</sub>                    | Power Supply   | PLL power supply   |
| V <sub>CC</sub>                     | Power Supply   | Digital power supply   |
| G <sub>NDA</sub>                    | Power Supply   | PLL ground   |
| G <sub>ND</sub>                     | Power Supply   | Digital ground   |

**Table 2. Absolute Maximum Ratings<sup>(1)</sup>**

| Symbol           | Characteristics     | Min  | Max                  | Unit | Condition |
|------------------|---------------------|------|----------------------|------|-----------|
| V <sub>CC</sub>  | Supply Voltage      | -0.3 | 3.9                  | V    |           |
| V <sub>IN</sub>  | DC Input Voltage    | -0.3 | V <sub>CC</sub> +0.3 | V    |           |
| V <sub>OUT</sub> | DC Output Voltage   | -0.3 | V <sub>CC</sub> +0.3 | V    |           |
| I <sub>IN</sub>  | DC Input Current    |      | ±20                  | mA   |           |
| I <sub>OUT</sub> | DC Output Current   |      | ±50                  | mA   |           |
| T <sub>S</sub>   | Storage Temperature | -65  | 125                  | °C   |           |

1. Absolute maximum continuous ratings are those maximum values beyond which damage to the device may occur. Exposure to these conditions or conditions beyond those indicated may adversely affect device reliability. Functional operation at absolute-maximum-rated conditions is not implied.

**Table 3. General Specifications**

| Symbol          | Characteristics  | Min  | Typ                                  | Max                                  | Unit | Condition  |
|-----------------|--|------|--------------------------------------|--------------------------------------|------|--|
| V <sub>TT</sub> | Output termination voltage   |      | V <sub>CC</sub> - 2                  |                                      | V    |  |
| MM              | ESD Protection (Machine model)   | 175  |                                      |                                      | V    |  |
| HBM             | ESD Protection (Human body model)  | 1500 |                                      |                                      | V    |  |
| CDM             | ESD Protection (Charged device model)  | 1000 |                                      |                                      | V    |  |
| LU              | Latch-up Immunity  | 100  |                                      |                                      | mA   |  |
| C <sub>IN</sub> | Input Capacitance  |      | 4.0                                  |                                      | pF   | Inputs   |
| θ <sub>JA</sub> | Thermal Resistance Junction to Ambient<br>JESD 51-3, single layer test board             |      | 83.1<br>73.3<br>68.9<br>63.8<br>57.4 | 86.0<br>75.4<br>70.9<br>65.3<br>59.6 | °C/W | Natural convection<br>100 ft/min<br>200 ft/min<br>400 ft/min<br>800 ft/min |
|                 | JESD 51-6, 2S2P multilayer test board  |      | 59.0<br>54.4<br>52.5<br>50.4<br>47.8 | 60.6<br>55.7<br>53.8<br>51.5<br>48.8 | °C/W | Natural convection<br>100 ft/min<br>200 ft/min<br>400 ft/min<br>800 ft/min |
| θ <sub>JC</sub> | Thermal Resistance Junction to Case  |      | 23.0                                 | 26.3                                 | °C/W | MIL-SPEC 883E<br>Method 1012.1   |
| T <sub>J</sub>  | Operating Junction Temperature <sup>(1)</sup><br>(continuous operation) MTBF = 9.1 years |      |                                      | 110                                  | °C   |  |

1. Operating junction temperature impacts device life time. Maximum continuous operating junction temperature should be selected according to the application life time requirements (See application note AN1545 for more information). The device AC and DC parameters are specified up to 110°C junction temperature allowing the MPC9993 to be used in applications requiring industrial temperature range. It is recommended that users of the MPC9993 employ thermal modeling analysis to assist in applying the junction temperature specifications to their particular application.

**Table 4. DC Characteristics** ( $V_{CC} = 3.3\text{ V} \pm 5\%$ ,  $T_A = -40^\circ$  to  $+85^\circ\text{C}$ )

| Symbol   | Characteristics                                 | Min             | Typ             | Max             | Unit          | Condition                            |
|--|---|-----------------|-----------------|-----------------|---------------|--------------------------------------|
| LVCMOS control inputs ( $\overline{\text{MR}}$ , PLL_En, Sel_Clk, Man_Override, Alarm_Reset) |   |                 |                 |                 |               |                                      |
| $V_{IH}$   | Input High Voltage                              | 2.0             |                 | $V_{CC} + 0.3$  | V             |                                      |
| $V_{IL}$   | Input Low Voltage                               |                 |                 | 0.8             | V             |                                      |
| $I_{IN}$   | Input Current <sup>(1)</sup>                    |                 |                 | $\pm 100$       | $\mu\text{A}$ | $V_{IN} = V_{CC}$ or GND             |
| LVCMOS control outputs (Clk_selected, Inp0bad, Inp1bad)                                      |   |                 |                 |                 |               |                                      |
| $V_{OH}$   | Output High Voltage                             | 2.0             |                 |                 | V             | $I_{OH} = -24\text{ mA}$             |
| $V_{OL}$   | Output Low Voltage                              |                 |                 | 0.55            | V             | $I_{OL} = 24\text{ mA}$              |
| LVPECL clock inputs (CLK0, CLK1, Ext_FB) <sup>(2)</sup>                                      |   |                 |                 |                 |               |                                      |
| $V_{PP}$   | DC Differential Input Voltage <sup>(3)</sup>    | 0.1             |                 | 1.3             | V             | Differential operation               |
| $V_{CMR}$  | Differential Cross Point Voltage <sup>(4)</sup> | $V_{CC} - 1.8$  |                 | $V_{CC} - 0.3$  | V             | Differential operation               |
| $I_{IN}$   | Input Current <sup>(1)</sup>                    |                 |                 | $\pm 100$       | $\mu\text{A}$ | $V_{IN} = V_{CC}$ or GND             |
| LVPECL clock outputs (QA[1:0], QB[2:0])  |   |                 |                 |                 |               |                                      |
| $V_{OH}$   | Output High Voltage                             | $V_{CC} - 1.20$ | $V_{CC} - 0.95$ | $V_{CC} - 0.70$ | V             | Termination $50\ \Omega$ to $V_{TT}$ |
| $V_{OL}$   | Output Low Voltage                              | $V_{CC} - 1.90$ | $V_{CC} - 1.75$ | $V_{CC} - 1.45$ | V             | Termination $50\ \Omega$ to $V_{TT}$ |
| Supply Current   |   |                 |                 |                 |               |                                      |
| $I_{GND}$  | Maximum Power Supply Current                    |                 |                 | 180             | mA            | GND Pins                             |
| $I_{CC\_PLL}$  | Maximum PLL Supply Current                      |                 |                 | 15              | mA            | $V_{CC\_PLL}$ Pin                    |

1. Inputs have internal pull-up/pull-down resistors affecting the input current.
2. Clock inputs driven by differential LVPECL compatible signals.
3.  $V_{PP}$  is the minimum differential input voltage swing required to maintain AC characteristics.
4.  $V_{CMR}$  (DC) is the crosspoint of the differential input signal. Functional operation is obtained when the crosspoint is within the  $V_{CMR}$  (DC) range and the input swing lies within the  $V_{PP}$  (DC) specification.

**Table 5. AC Characteristics** ( $V_{CC} = 3.3\text{ V} \pm 5\%$ ,  $T_A = -40^\circ\text{C}$  to  $+85^\circ\text{C}$ )(1)

| Symbol               | Characteristics  | Min          | Typ                    | Max                    | Unit                 | Condition            |
|----------------------|--|--------------|------------------------|------------------------|----------------------|----------------------|
| $f_{ref}$            | Input Reference Frequency $\div 16$ feedback                                     | 50           |                        | 100                    | MHz                  | PLL locked           |
| $f_{VCO}$            | VCO Frequency Range(2) $\div 16$ feedback  | 800          |                        | 1600                   | MHz                  |                      |
| $f_{MAX}$            | Output Frequency<br>QA[1:0]<br>QB[2:0]   | 50<br>100    |                        | 100<br>200             | MHz<br>MHz           | PLL locked           |
| $f_{refDC}$          | Reference Input Duty Cycle   | 25           |                        | 75                     | %                    |                      |
| $t_{(\varnothing)}$  | Propagation Delay SPO, static phase offset(3)<br>CLK0, CLK1 to any Q             | -2.0<br>0.9  |                        | +2.0<br>1.8            | ns<br>ns             | PLL_EN=1<br>PLL_EN=0 |
| $V_{PP}$             | Differential Input Voltage(4) (peak-to-peak)                                     | 0.25         |                        | 1.3                    | V                    |                      |
| $V_{CMR}$            | Differential Input Crosspoint Voltage(5)   | $V_{CC}-1.7$ |                        | $V_{CC}-0.3$           | V                    |                      |
| $t_{sk(O)}$          | Output-to-Output Skew within QA[2:0] or QB[1:0]<br>within device                 |              |                        | 50<br>80               | ps<br>ps             |                      |
| $\Delta_{per/cycle}$ | Rate of Change of Period<br>QA[1:0](6)<br>QB[2:0](6)<br>QA[1:0](7)<br>QB[2:0](7) |              | 20<br>10<br>200<br>100 | 50<br>25<br>400<br>200 | ps<br>ps<br>ps<br>ps |                      |
| DC                   | Output Duty Cycle  | 45           | 50                     | 55                     | %                    |                      |
| $t_{JIT(CC)}$        | Cycle-to-Cycle Jitter RMS (1 $\sigma$ )  |              |                        | 47                     | ps                   |                      |
| $t_{LOCK}$           | Maximum PLL Lock Time  |              |                        | 10                     | ms                   |                      |
| $t_r, t_f$           | Output Rise/Fall Time  | 0.05         |                        | 0.70                   | ns                   | 20% to 80%           |

- AC characteristics apply for parallel output termination of  $50\ \Omega$  to  $V_{CC} - 2\text{ V}$ .
- The input reference frequency must match the VCO lock range divided by the feedback divider ratio (FB):  $f_{ref} = f_{VCO} \div FB$ .
- CLK0, CLK1 to Ext\_FB.
- $V_{PP}$  is the minimum differential input voltage swing required to maintain AC characteristics including SPO and device-to-device skew. Applicable to CLK0, CLK1 and Ext\_FB.
- $V_{CMR}$  (AC) is the crosspoint of the differential input signal. Normal AC operation is obtained when the crosspoint is within the  $V_{CMR}$  (AC) range and the input swing lies within the  $V_{PP}$  (AC) specification. Violation of  $V_{CMR}$  (AC) or  $V_{PP}$  (AC) impacts the SPO, device and part-to-part skew. Applicable to CLK0, CLK1 and Ext\_FB.
- Specification holds for a clock switch between two input signals (CLK0, CLK1) no greater than 400 ps out of phase. Delta period change per cycle is averaged over the clock switch excursion.
- Specification holds for a clock switch between two input signals (CLK0, CLK1) at any phase difference ( $\pm 180^\circ$ ). Delta period change per cycle is averaged over the clock switch excursion.

## APPLICATIONS INFORMATION

The MPC9993 is a dual clock PLL with on-chip Intelligent Dynamic Clock Switch (IDCS) circuitry.

### Definitions

**primary clock:** The input CLK selected by Sel\_Clk.

**secondary clock:** The input CLK NOT selected by Sel\_Clk.

**PLL reference signal:** The CLK selected as the PLL reference signal by Sel\_Clk or IDCS. (IDCS can override Sel\_Clk).

### Status Functions

**Clk\_Selected:** Clk\_Selected (L) indicates CLK0 is selected as the PLL reference signal. Clk\_Selected (H) indicates CLK1 is selected as the PLL reference signal.

**INP\_BAD:** Latched (H) when it's CLK is stuck (H) or (L) for at least one Ext\_FB period (Pos to Pos or Neg to Neg). Cleared (L) on assertion of Alarm\_Reset.

### Control Functions

**Sel\_Clk:** Sel\_Clk (L) selects CLK0 as the primary clock. Sel\_Clk (H) selects CLK1 as the primary clock.

**Alarm\_Reset:** Asserted by a negative edge. Generates a one-shot reset pulse that clears INPUT\_BAD latches and Clk\_Selected latch.

**PLL\_En:** While (L), the PLL reference signal is substituted for the VCO output.

**MR:** While (L), internal dividers are held in reset which holds all Q outputs LOW.

### Man Override (H)

(IDCS is disabled, PLL functions normally). PLL reference signal (as indicated by Clk\_Selected) will always be the CLK selected by Sel\_Clk. The status function INP\_BAD is active in Man Override (H) and (L).

### Man Override (L)

(IDCS is enabled, PLL functions enhanced). The first CLK to fail will latch it's INP\_BAD (H) status flag and select the other input as the Clk\_Selected for the PLL reference clock. Once latched, the Clk\_Selected and INP\_BAD remain latched until assertion of Alarm\_Reset which clears all latches (INP\_BADs are cleared and Clk\_Selected = Sel\_Clk). NOTE: If both CLKs are bad when Alarm\_Reset is asserted,

both INP\_BADs will be latched (H) after one Ext\_FB period and Clk\_Selected will be latched (L) indicating CLK0 is the PLL reference signal. While neither INP\_BAD is latched (H), the Clk\_Selected can be freely changed with Sel\_Clk. Whenever a CLK switch occurs, (manually or by IDCS), following the next negative edge of the newly selected PLL reference signal, the next positive edge pair of Ext\_FB and the newly selected PLL reference signal will slew to alignment.

To calculate the overall uncertainty between the input CLKs and the outputs from multiple MPC9993's, the following procedure should be used. Assuming that the input CLKs to all MPC9993's are exactly in phase, the total uncertainty will be the sum of the static phase offset, max I/O jitter, and output to output skew.

During a dynamic switch, the output phase between two devices may be increased for a short period of time. If the two input CLKs are 400 ps out of phase, a dynamic switch of an MPC9993 will result in an instantaneous phase change of 400 ps to the PLL reference signal without a corresponding change in the output phase (due to the limited response of the PLL). As a result, the I/O phase of a device, undergoing this switch, will initially be 400 ps and diminish as the PLL slews to its new phase alignment. This transient timing issue should be considered when analyzing the overall skew budget of a system.

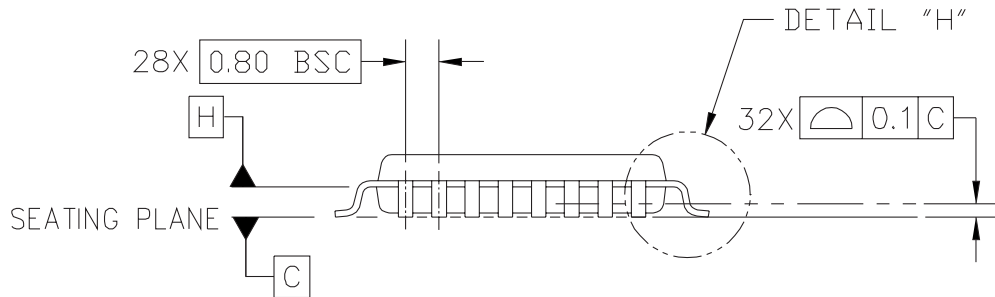
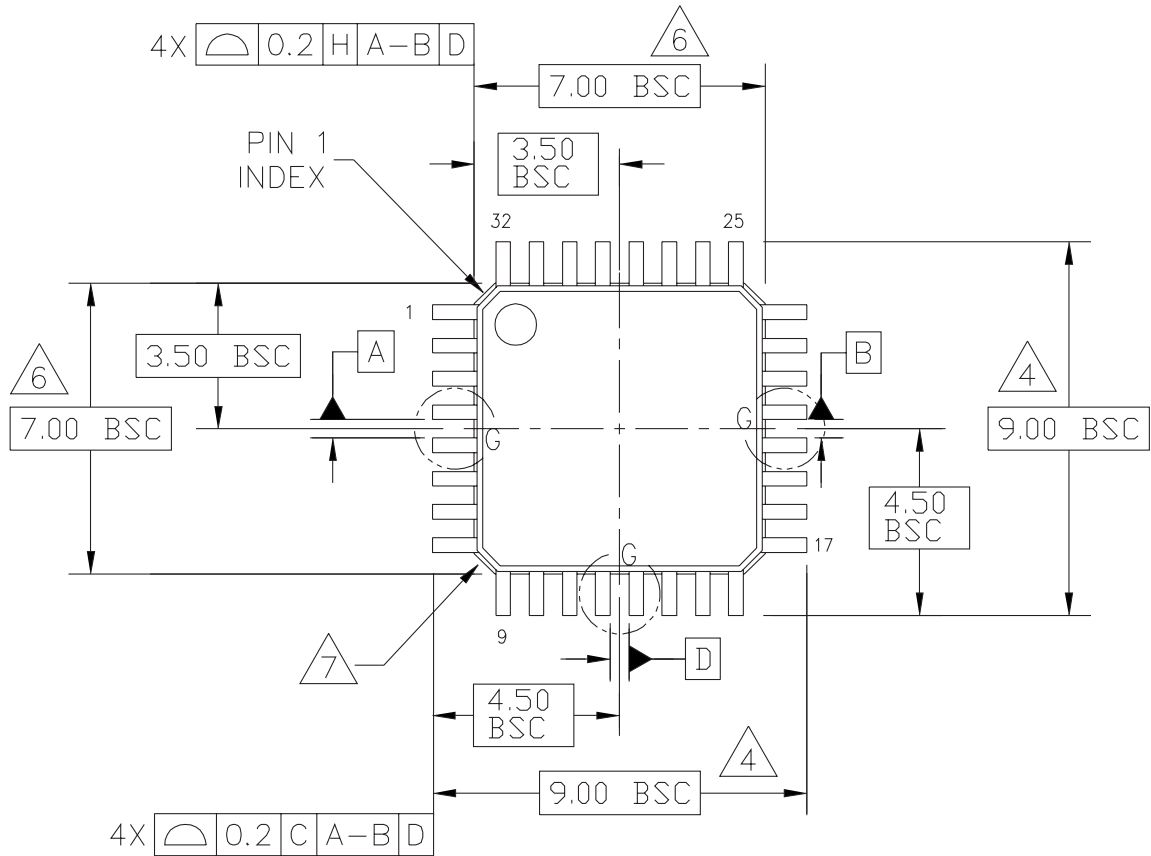
### Hot insertion and withdrawal

In PECL applications, a powered up driver will experience a low impedance path through an MPC9993 input to its powered down VCC pins. In this case, a 100 ohm series resistance should be used in front of the input pins to limit the driver current. The resistor will have minimal impact on the rise and fall times of the input signals.

### Acquiring Frequency Lock

1. While the MPC9993 is receiving a valid CLK signal, assert Man\_Override HIGH.
2. The PLL will phase and frequency lock within the specified lock time.
3. Apply a HIGH to LOW transition to Alarm\_Reset to reset Input Bad flags.
4. De-assert Man\_Override LOW to enable Intelligent Dynamic Clock Switch mode.

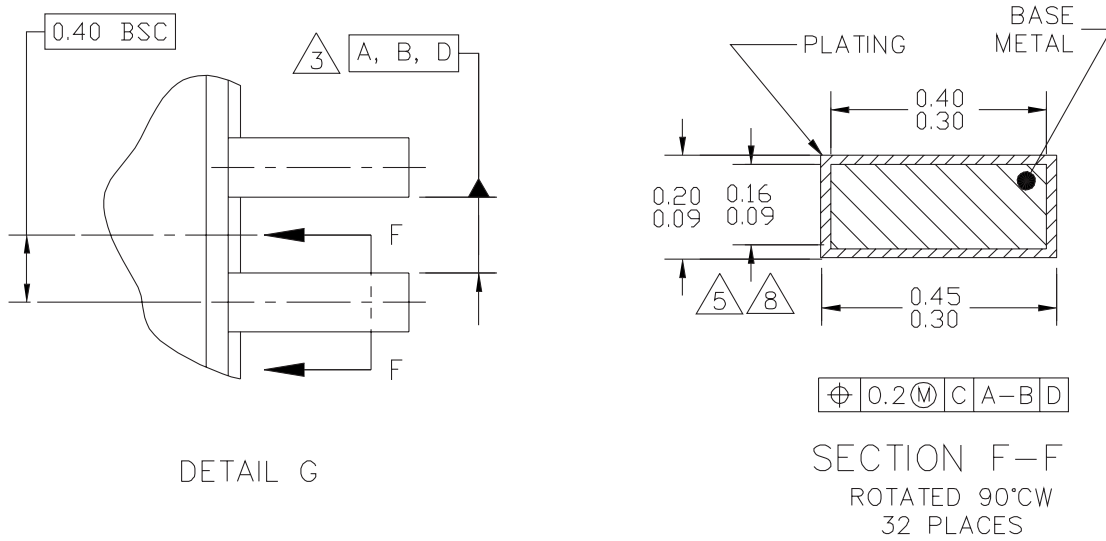
**PACKAGE DIMENSIONS**



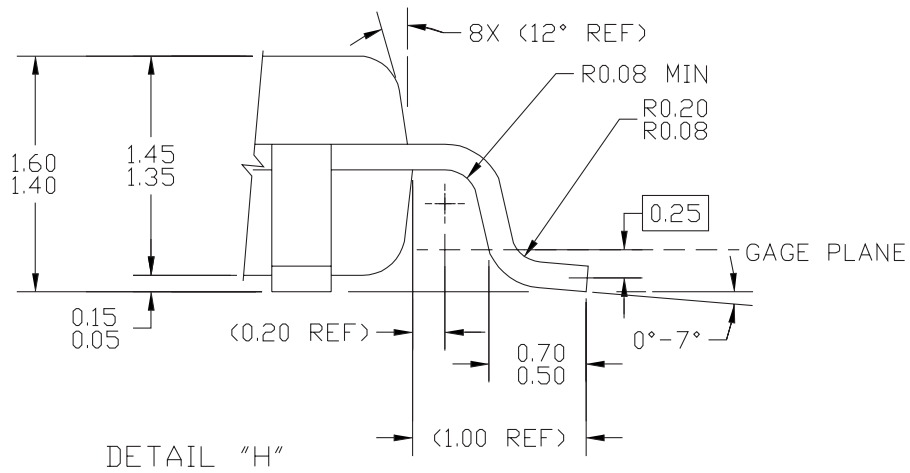
|   |                            |                            |  |
|---|----------------------------|----------------------------|--|
| © FREESCALE SEMICONDUCTOR, INC.<br>ALL RIGHTS RESERVED.                         | MECHANICAL OUTLINE         | PRINT VERSION NOT TO SCALE |  |
| TITLE:<br>LOW PROFILE QUAD FLAT PACK (LQFP)<br>32 LEAD, 0.8 PITCH (7 X 7 X 1.4) | DOCUMENT NO: 98ASH70029A   | REV: C                     |  |
|   | CASE NUMBER: 873A-04       | 01 APR 2005                |  |
|   | STANDARD: JEDEC MS-026 BBA |                            |  |

**CASE 873A-04  
ISSUE C  
32-LEAD LQFP PACKAGE**

**PACKAGE DIMENSIONS**



DETAIL G



|   |                            |                            |  |
|---|----------------------------|----------------------------|--|
| © FREESCALE SEMICONDUCTOR, INC.<br>ALL RIGHTS RESERVED.                         | MECHANICAL OUTLINE         | PRINT VERSION NOT TO SCALE |  |
| TITLE:<br>LOW PROFILE QUAD FLAT PACK (LQFP)<br>32 LEAD, 0.8 PITCH (7 X 7 X 1.4) | DOCUMENT NO: 98ASH70029A   | REV: C                     |  |
|   | CASE NUMBER: 873A-04       | 01 APR 2005                |  |
|   | STANDARD: JEDEC MS-026 BBA |                            |  |

**CASE 873A-04  
ISSUE C  
32-LEAD LQFP PACKAGE**

## PACKAGE DIMENSIONS

### NOTES:

1. DIMENSIONS ARE IN MILLIMETERS.
2. INTERPRET DIMENSIONS AND TOLERANCES PER ASME Y14.5-1994.
3. DATUMS A, B, AND D TO BE DETERMINED AT DATUM PLANE H.
4. DIMENSIONS TO BE DETERMINED AT SEATING PLANE DATUM C.
5. DIMENSION DOES NOT INCLUDE DAMBAR PROTRUSION. ALLOWABLE DAMBAR PROTRUSION SHALL NOT CAUSE THE LEAD WIDTH TO EXCEED THE MAXIMUM DIMENSION BY MORE THAN 0.08 MM. DAMBAR CANNOT BE LOCATED ON THE LOWER RADIUS OR THE FOOT. MINIMUM SPACE BETWEEN PROTRUSION AND ADJACENT LEAD OR PROTRUSION: 0.07 MM.
6. DIMENSIONS DO NOT INCLUDE MOLD PROTRUSION. ALLOWABLE PROTRUSION IS 0.25 MM PER SIDE. DIMENSIONS ARE MAXIMUM PLASTIC BODY SIZE DIMENSIONS INCLUDING MOLD MISMATCH.
7. EXACT SHAPE OF EACH CORNER IS OPTIONAL.
8. THESE DIMENSIONS APPLY TO THE FLAT SECTION OF THE LEAD BETWEEN 0.1 MM AND 0.25 MM FROM THE LEAD TIP.

|   |                    |                            |             |
|---|--------------------|----------------------------|-------------|
| © FREESCALE SEMICONDUCTOR, INC.<br>ALL RIGHTS RESERVED.                         | MECHANICAL OUTLINE | PRINT VERSION NOT TO SCALE |             |
| TITLE:<br>LOW PROFILE QUAD FLAT PACK (LQFP)<br>32 LEAD, 0.8 PITCH (7 X 7 X 1.4) |                    | DOCUMENT NO: 98ASH70029A   | REV: C      |
|   |                    | CASE NUMBER: 873A-04       | 01 APR 2005 |
|   |                    | STANDARD: JEDEC MS-026 BBA |             |

PAGE 3 OF 3

**CASE 873A-04  
ISSUE C  
32-LEAD LQFP PACKAGE**

MPC9993

# NOTES

# NOTES

**How to Reach Us:****Home Page:**

www.freescale.com

**E-mail:**

support@freescale.com

**USA/Europe or Locations Not Listed:**

Freescale Semiconductor  
 Technical Information Center, CH370  
 1300 N. Alma School Road  
 Chandler, Arizona 85224  
 +1-800-521-6274 or +1-480-768-2130  
 support@freescale.com

**Europe, Middle East, and Africa:**

Freescale Halbleiter Deutschland GmbH  
 Technical Information Center  
 Schatzbogen 7  
 81829 Muenchen, Germany  
 +44 1296 380 456 (English)  
 +46 8 52200080 (English)  
 +49 89 92103 559 (German)  
 +33 1 69 35 48 48 (French)  
 support@freescale.com

**Japan:**

Freescale Semiconductor Japan Ltd.  
 Headquarters  
 ARCO Tower 15F  
 1-8-1, Shimo-Meguro, Meguro-ku,  
 Tokyo 153-0064  
 Japan  
 0120 191014 or +81 3 5437 9125  
 support.japan@freescale.com

**Asia/Pacific:**

Freescale Semiconductor Hong Kong Ltd.  
 Technical Information Center  
 2 Dai King Street  
 Tai Po Industrial Estate  
 Tai Po, N.T., Hong Kong  
 +800 2666 8080  
 support.asia@freescale.com

**For Literature Requests Only:**

Freescale Semiconductor Literature Distribution Center  
 P.O. Box 5405  
 Denver, Colorado 80217  
 1-800-441-2447 or 303-675-2140  
 Fax: 303-675-2150  
 LDCForFreescaleSemiconductor@hibbertgroup.com

Information in this document is provided solely to enable system and software implementers to use Freescale Semiconductor products. There are no express or implied copyright licenses granted hereunder to design or fabricate any integrated circuits or integrated circuits based on the information in this document.

Freescale Semiconductor reserves the right to make changes without further notice to any products herein. Freescale Semiconductor makes no warranty, representation or guarantee regarding the suitability of its products for any particular purpose, nor does Freescale Semiconductor assume any liability arising out of the application or use of any product or circuit, and specifically disclaims any and all liability, including without limitation consequential or incidental damages. "Typical" parameters that may be provided in Freescale Semiconductor data sheets and/or specifications can and do vary in different applications and actual performance may vary over time. All operating parameters, including "Typicals", must be validated for each customer application by customer's technical experts. Freescale Semiconductor does not convey any license under its patent rights nor the rights of others. Freescale Semiconductor products are not designed, intended, or authorized for use as components in systems intended for surgical implant into the body, or other applications intended to support or sustain life, or for any other application in which the failure of the Freescale Semiconductor product could create a situation where personal injury or death may occur. Should Buyer purchase or use Freescale Semiconductor products for any such unintended or unauthorized application, Buyer shall indemnify and hold Freescale Semiconductor and its officers, employees, subsidiaries, affiliates, and distributors harmless against all claims, costs, damages, and expenses, and reasonable attorney fees arising out of, directly or indirectly, any claim of personal injury or death associated with such unintended or unauthorized use, even if such claim alleges that Freescale Semiconductor was negligent regarding the design or manufacture of the part.

Freescale™ and the Freescale logo are trademarks of Freescale Semiconductor, Inc. All other product or service names are the property of their respective owners.

© Freescale Semiconductor, Inc. 2005. All rights reserved.



## OUR CERTIFICATE

DiGi provide top-quality products and perfect service for customer worldwide through standardization, technological innovation and continuous improvement. DiGi through third-party certification, we stricly control the quality of products and services. Welcome your RFQ to

Email: [Info@DiGi-Electronics.com](mailto:Info@DiGi-Electronics.com)



Tel: +00 852-30501935

RFQ Email: [Info@DiGi-Electronics.com](mailto:Info@DiGi-Electronics.com)

DiGi is a global authorized distributor of electronic components.