

SPC5607BK0MLL6 Datasheet

www.digi-electronics.com



<https://www.DiGi-Electronics.com>

DiGi Electronics Part Number	SPC5607BK0MLL6-DG
Manufacturer	NXP USA Inc.
Manufacturer Product Number	SPC5607BK0MLL6
Description	IC MCU 32BIT 1.5MB FLASH 100LQFP
Detailed Description	e200z0h MPC56xx Qorivva Microcontroller IC 32-Bit Single-Core 64MHz 1.5MB (1.5M x 8) FLASH 100-LQFP (14x14)

This model SPC5607BK0MLL6 is available at DiGi Electronics.

DiGi Electronics offers a global database of semiconductor and electronic component datasheets.

We welcome your inquiries regarding pricing, lead time, or other product-related questions.

 [Request a Quote](#)

 [Datasheet Search](#)



Tel: +00 852-30501935

RFQ Email: Info@DiGi-Electronics.com

DiGi is a global authorized distributor of electronic components.

Purchase and inquiry

Manufacturer Product Number:

SPC5607BK0MLL6

Series:

MPC56xx Qorivva

DiGi-Electronics Programmable:

Not Verified

Core Size:

32-Bit Single-Core

Connectivity:

CANbus, I2C, LINbus, SCI, SPI

Number of I/O:

77

Program Memory Type:

FLASH

RAM Size:

96K x 8

Data Converters:

A/D 7x10b, 5x12b

Operating Temperature:

-40°C ~ 125°C (TA)

Supplier Device Package:

100-LQFP (14x14)

Base Product Number:

SPC5607

Manufacturer:

NXP USA Inc.

Product Status:

Active

Core Processor:

e200z0h

Speed:

64MHz

Peripherals:

DMA, POR, PWM, WDT

Program Memory Size:

1.5MB (1.5M x 8)

EEPROM Size:

64K x 8

Voltage - Supply (Vcc/Vdd):

3V ~ 5.5V

Oscillator Type:

Internal

Mounting Type:

Surface Mount

Package / Case:

100-LQFP

Environmental & Export classification

RoHS Status:

ROHS3 Compliant

REACH Status:

REACH Unaffected

HTSUS:

8542.31.0001

Moisture Sensitivity Level (MSL):

3 (168 Hours)

ECCN:

3A991A2



Qorivva MPC560xB/C/D Family

Automotive body and gateway applications

Overview

The Qorivva MPC560xB/C/D family of 32-bit MCU includes the latest Freescale integrated devices for automotive body electronics applications. The advanced cost-efficient host processor core leverages the many strengths of Power Architecture® technology, such as processing capability, on-chip memory, analog capabilities, timing systems and other features required to handle complex control and diagnostic systems. In addition, these scalable devices are supported by an enablement ecosystem that includes software drivers, operating systems and configuration code to help you quickly implement your designs.

Applications

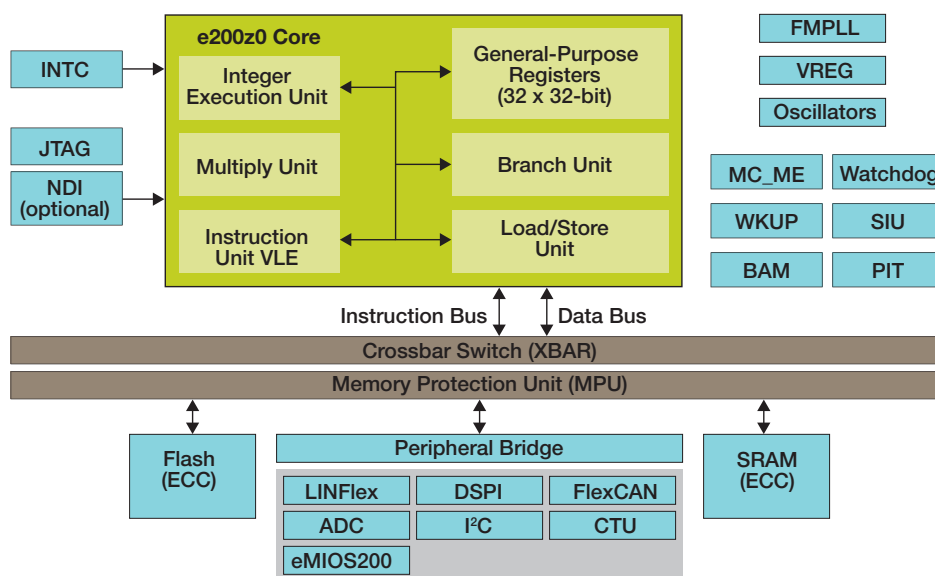
- Central body controllers
- Gateway controllers
- Body electronics
- Comfort controls

Qorivva MPC560xB/C/D Key Features

Includes controller area network (CAN), local interconnect network (LIN) and other peripherals necessary to implement a range of functionality in the automotive body network.

- FlexCAN module supporting both FIFO and mailbox data storage, ideal for CAN gateways to manage event-driven vs. periodic bus traffic.
- LINFlex module provides fully automated LIN message management, reducing CPU load intervention and message latencies.
- eMIOS timer combines multiple counter sources, including input capture, output compare and pulse width modulation (PWM) capabilities into one very flexible module. PWM function supports shifted signal output to improve electromagnetic compatibility.
- Cross triggering unit synchronizes PWM output signals with analog-to-digital conversion to enable accurate diagnostic and control capabilities.

Qorivva MPC560xB/C Block Diagram



- Scalable e200z0 core enables migration toward higher performance solutions.
- Compatible family of products ensures reuse of software and tools infrastructures.

In addition, the Qorivva MPC5601D, MPC5602D, MPC5605B, MPC5606B and MPC5607B are available with direct memory access.



Selector Guide

Product Number	Temp. Ranges	Features	Package	Speed
MPC5607B	-40 °C to +125 °C	1.5 MB Flash, 6 CAN, 6 SPI, 10 LINFlex, 64 KB Data Flash, 96 KB RAM, 16-bit Timer (64 channels), 12-bit ADC (16 channels) and 10-bit ADC (32 channels)	176 LQFP	Up to 64 MHz
MPC5606B	-40 °C to +125 °C	1 MB Flash, 6 CAN, up to 6 SPI, up to 8 LINFlex, 64 KB Data Flash, 80 KB RAM, 16-bit Timer (64 channels), 12-bit ADC (16 channels) and 10-bit ADC (up to 32 channels)	144 LQFP, 176 LQFP	Up to 64 MHz
MPC5605B	-40 °C to +125 °C	768 KB Flash, 6 CAN, up to 6 SPI, up to 8 LINFlex, 64 KB Data Flash, 64 KB RAM, 16-bit Timer (up to 64 channels), 12-bit ADC (16 channels) and 10-bit ADC (up to 32 channels)	100 LQFP, 144 LQFP, 176 LQFP	Up to 64 MHz
MPC5604C	-40 °C to +125 °C	512 KB Flash, 6 CAN, 3 SPI, 4 LINFlex, 64 KB Data Flash EEPROM, 48 KB RAM, 16-bit Timer (up to 28 channels), 10-bit ADC (up to 28 channels)	64 LQFP, 100 LQFP	Up to 64 MHz
MPC5604B	-40 °C to +125 °C	512 KB Flash, 3 CAN, 3 SPI, 4 LINFlex, 64 KB Data Flash EEPROM, 32 KB RAM, 16-bit Timer (up to 56 channels), 10-bit ADC (up to 36 channels)	64 LQFP, 100 LQFP, 144 LQFP	Up to 64 MHz
MPC5603C	-40 °C to +125 °C	384 KB Flash, 6 CAN, 3 SPI, 4 LINFlex, 64 KB Data Flash EEPROM, 40 KB RAM, 16-bit Timer (up to 28 channels), 10-bit ADC (up to 28 channels)	64 LQFP, 100 LQFP	Up to 64 MHz
MPC5603B	-40 °C to +125 °C	384 KB Flash, 2 CAN, 3 SPI, 4 LINFlex, 64 KB Data Flash EEPROM, 28 KB RAM, 16-bit Timer (up to 56 channels), 10-bit ADC (up to 36 channels)	64 LQFP, 100 LQFP, 144 LQFP	Up to 64 MHz
MPC5602D	-40 °C to +125 °C	256 KB Flash, 1 CAN, 2 SPI, 3 LINFlex, 64 KB Data Flash EEPROM, 16 KB RAM, 16-bit Timer (up to 28 channels), 12-bit ADC (up to 33 channels)	64 LQFP, 100 LQFP	Up to 48 MHz
MPC5602C	-40 °C to +125 °C	256 KB Flash, 6 CAN, 3 SPI, 4 LINFlex, 64 KB Data Flash EEPROM, 32 KB RAM, 16-bit Timer (up to 28 channels), 10-bit ADC (up to 28 channels)	64 LQFP, 100 LQFP	Up to 64 MHz
MPC5602B	-40 °C to +125 °C	256 KB Flash, 2 CAN, 2 SPI, 3 LINFlex, 64 KB Data Flash EEPROM, 24 KB RAM, 16-bit Timer (up to 56 channels), 10-bit ADC (up to 36 channels)	64 LQFP, 100 LQFP, 144 LQFP	Up to 64 MHz
MPC5601D	-40 °C to +125 °C	128 KB Flash, 1 CAN, 2 SPI, 3 LINFlex, 64 KB Data Flash EEPROM, 12 KB RAM, 16-bit Timer (up to 28 channels), 12-bit ADC (up to 33 channels)	64 LQFP, 100 LQFP	Up to 48 MHz

Development Tools

Part Number	Description	Pricing*
For MPC5605B, MPC5606B and MPC5607B		
XKT560B176SB15M	Kit Includes JDP Motherboard (XPC56XXMB2), Daughter Card (XDC560B176SB15M) and P&E Wiggler	\$497
XKT560B144SB15M	Kit Includes JDP Motherboard (XPC56XXMB2), Daughter Card (XDC560B144SB15M) and P&E Wiggler	\$497
XKT560B100SB15M	Kit Includes JDP Motherboard (XPC56XXMB2), Daughter Card (XDC560B100SB15M) and P&E Wiggler	\$497
XKT560B208SB15M	Kit Includes JDP Motherboard (XPC56XXMB2), Daughter Card (XDC560B208SB15M) and P&E Wiggler	\$497
XDC560B176SB15M	176 LQFP Daughter Card	\$120
XDC560B144SB15M	144 LQFP Daughter Card	\$120
XDC560B100SB15M	100 LQFP Daughter Card	\$120
XDC560B208SB15M	208 MAPBGA Daughter Card	\$120
TRK-MPC5606B	144 LQFP StarterTRAK Board	\$99
For MPC5602B, MPC5602C, MPC5603B, MPC5603C, MPC5604B and MPC5604C		
XKT560B144SC512K	Kit Includes JDP Motherboard (XPC56XXMB2), Daughter Card (XDC560B144SC512K) and P&E Wiggler	\$497
XKT560B100SC512K	Kit Includes JDP Motherboard (XPC56XXMB2), Daughter Card (XDC560B100SC512K) and P&E Wiggler	\$497
XKT560B208SC512K	Kit Includes JDP Motherboard (XPC56XXMB2), Daughter Card (XDC560B208SC512K) and P&E Wiggler	\$497
XDC560B144SC512K	144 LQFP Daughter Card	\$120
XDC560B100SC512K	100 LQFP Daughter Card	\$120
XDC560B208SC512K	208 MAPBGA Daughter Card	\$120
TRK-USB-MPC5604B	100 LQFP StarterTRAK Mini	\$25
MPC5602D and MPC5601D		
XDC560B100SC256K	100 LQFP Daughter Card	\$120
XDC560B64SC256K	64 LQFP Daughter Card	\$120
For all MPC560xB/C/D		
XPC56XXMB2	JDP Motherboard	\$375

*Manufacturer Suggested Resale Price

For more information about Qorivva MPC560xB/C/D family solutions, please visit freescale.com/Qorivva



Freescale and the Freescale logo are trademarks of Freescale Semiconductor, Inc., Reg. U.S. Pat. & Tm. Off. Qorivva is a trademark of Freescale Semiconductor, Inc. The Power Architecture and Power.org word marks and the Power and Power.org logos and related marks are trademarks and service marks licensed by Power.org. All other product or service names are the property of their respective owners. © 2005, 2010, 2011, 2012 Freescale Semiconductor, Inc.

Document Number: MPC560XB/FAMFS REV 6

OUR CERTIFICATE

DiGi provide top-quality products and perfect service for customer worldwide through standardization, technological innovation and continuous improvement. DiGi through third-party certification, we stricly control the quality of products and services. Welcome your RFQ to

Email: Info@DiGi-Electronics.com



Tel: +00 852-30501935

RFQ Email: Info@DiGi-Electronics.com

DiGi is a global authorized distributor of electronic components.