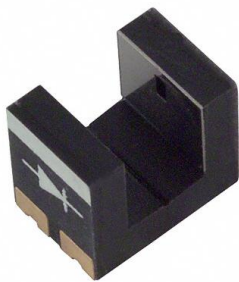


EE-SX1109 Datasheet

www.digi-electronics.com



<https://www.DiGi-Electronics.com>

DiGi Electronics Part Number	EE-SX1109-DG
Manufacturer	Omron Electronics Inc-EMC Div
Manufacturer Product Number	EE-SX1109
Description	SENSOR OPT SLOT PHOTOTRANS 4SMD
Detailed Description	Optical Sensor Through-Beam 0.118" (3mm) Photo transistor 4-SMD

This model EE-SX1109 is available at DiGi Electronics.

DiGi Electronics offers a global database of semiconductor and electronic component datasheets.

We welcome your inquiries regarding pricing, lead time, or other product-related questions.

 [Request a Quote](#)

 [Datasheet Search](#)



Tel: +00 852-30501935

RFQ Email: Info@DiGi-Electronics.com

DiGi is a global authorized distributor of electronic components.

Purchase and inquiry

Manufacturer Product Number:

EE-SX1109

Series:

-

Sensing Distance:

0.118" (3mm)

Output Configuration:

Phototransistor

Current - Collector (Ic) (Max):

20 mA

Response Time:

10µs, 10µs

Mounting Type:

Surface Mount

Type:

Unamplified

Manufacturer:

Omron Electronics Inc-EMC Div

Product Status:

Obsolete

Sensing Method:

Through-Beam

Current - DC Forward (If) (Max):

25 mA

Voltage - Collector Emitter Breakdown (Max):

20 V

Operating Temperature:

-30°C ~ 85°C

Package / Case:

4-SMD

Environmental & Export classification

Moisture Sensitivity Level (MSL):

Not Applicable

HTSUS:

8541.49.8000

ECCN:

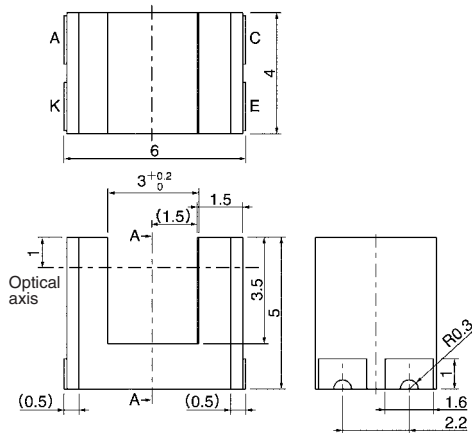
EAR99

Photomicrosensor (Transmissive) EE-SX1109

 Be sure to read *Precautions* on page 25.

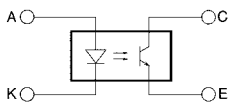
■ Dimensions

Note: All units are in millimeters unless otherwise indicated.

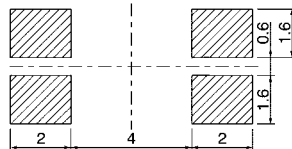


Cross section AA

Internal Circuit



Recommended Soldering Pattern



Terminal No.	Name
A	Anode
K	Cathode
C	Collector
E	Emitter

Unless otherwise specified, the tolerances are ± 0.15 mm.

■ Features

- Ultra-compact with a 6-mm-wide sensor and a 3-mm-wide slot.
- PCB surface mounting type.
- High resolution with a 0.5-mm-wide aperture.

■ Absolute Maximum Ratings ($T_a = 25^\circ\text{C}$)

Item	Symbol	Rated value
Emitter	Forward current	I_F 25 mA (see note 1)
	Pulse forward current	I_{FP} 100 mA (see note 2)
	Reverse voltage	V_R 5 V
Detector	Collector–Emitter voltage	V_{CEO} 20 V
	Emitter–Collector voltage	V_{ECO} 5 V
	Collector current	I_C 20 mA
	Collector dissipation	P_C 75 mW (see note 1)
	Ambient temperature	Operating
	Storage	T_{stg} –40°C to 90°C
	Reflow soldering	T_{sol} 255°C (see note 3)
	Manual soldering	T_{sol} 350°C (see note 3)

Note: 1. Refer to the temperature rating chart if the ambient temperature exceeds 25°C.

2. Duty: 1/100; Pulse width: 0.1 ms

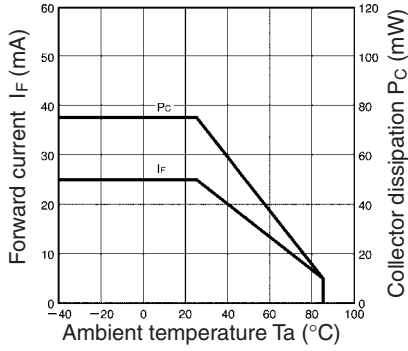
3. Complete soldering within 10 seconds for reflow soldering and within 3 seconds for manual soldering.

■ Electrical and Optical Characteristics ($T_a = 25^\circ\text{C}$)

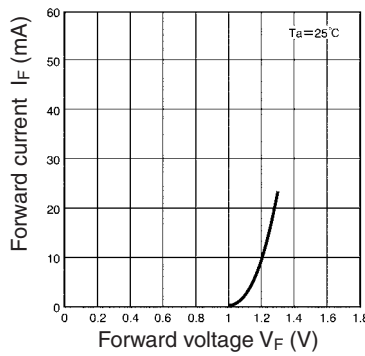
Item	Symbol	Value	Condition
Emitter	Forward voltage	V_F	1.1 V typ., 1.3 V max.
	Reverse current	I_R	10 μA max.
	Peak emission wavelength	λ_p	940 nm typ.
Detector	Light current	I_L	50 μA min., 150 μA typ., 500 μA max.
	Dark current	I_D	100 nA max.
	Leakage current	I_{LEAK}	---
	Collector–Emitter saturated voltage	$V_{CE(sat)}$	0.1 V typ., 0.4 V max.
	Peak spectral sensitivity wavelength	λ_p	900 nm typ.
Rising time	t_r	10 μs typ.	$V_{CC} = 5\text{ V}$, $R_L = 1\text{ k}\Omega$, $I_L = 100\ \mu\text{A}$
Falling time	t_f	10 μs typ.	$V_{CC} = 5\text{ V}$, $R_L = 1\text{ k}\Omega$, $I_L = 100\ \mu\text{A}$

Engineering Data

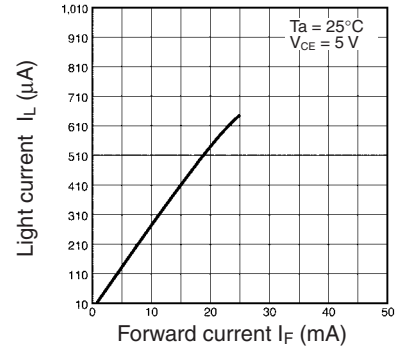
Forward Current vs. Collector Dissipation Temperature Rating



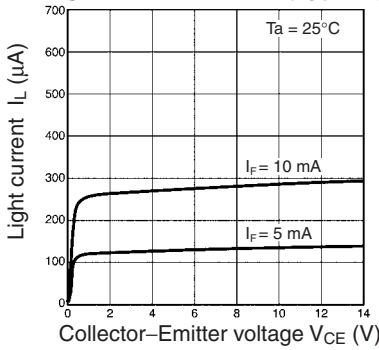
Forward Current vs. Forward Voltage Characteristics (Typical)



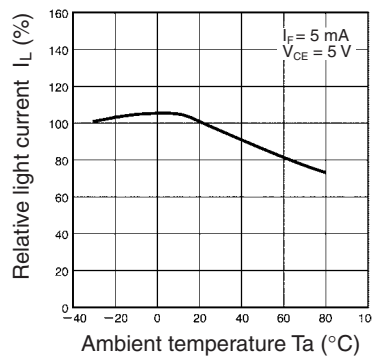
Light Current vs. Forward Current Characteristics (Typical)



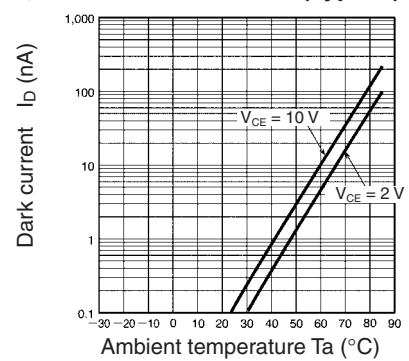
Light Current vs. Collector-Emitter Voltage Characteristics (Typical)



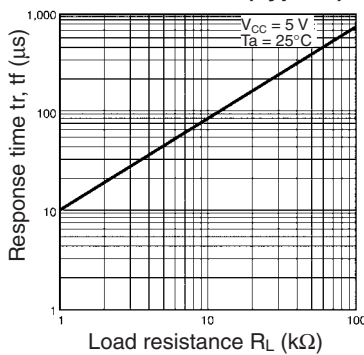
Relative Light Current vs. Ambient Temperature Characteristics (Typical)



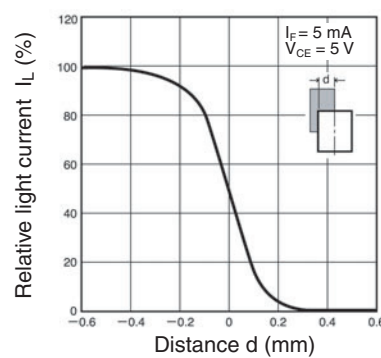
Dark Current vs. Ambient Temperature Characteristics (Typical)



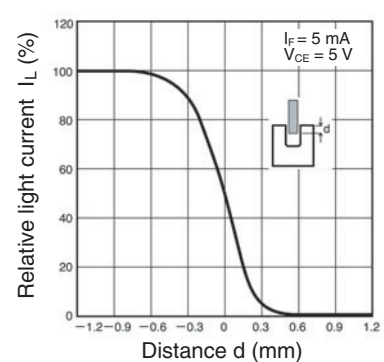
Response Time vs. Load Resistance Characteristics (Typical)



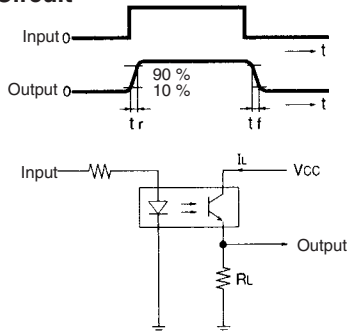
Sensing Position Characteristics (Typical)



Sensing Position Characteristics (Typical)



Response Time Measurement Circuit

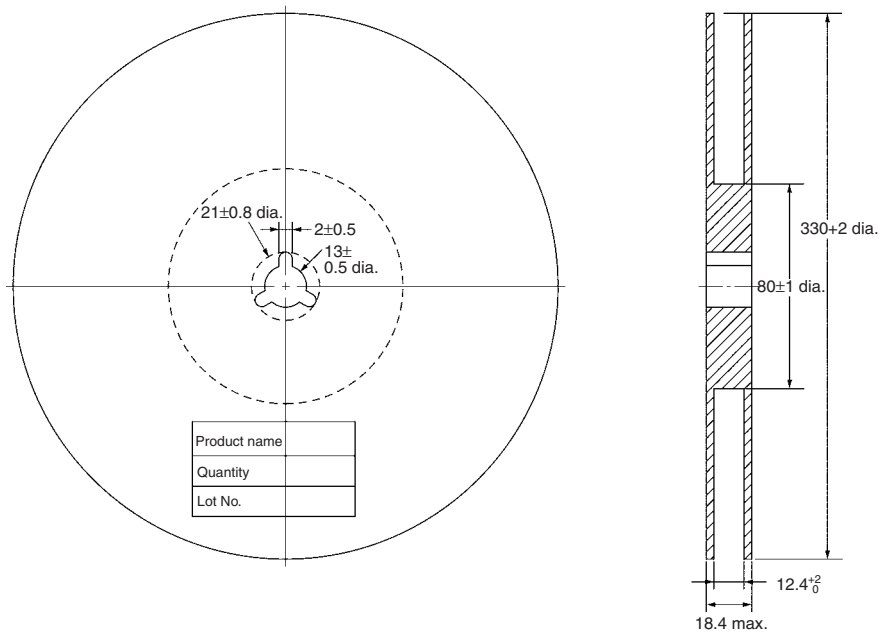


This announcement is based on product catalogue information previously shown before its discontinuation
 Product information of the existing product may be different from the previous version

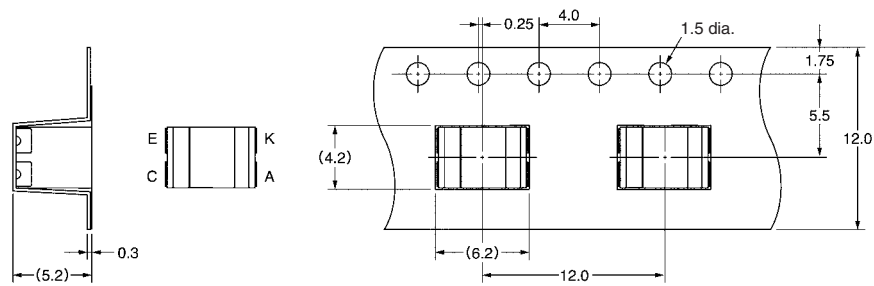
Unit: mm (inch)

■ Tape and Reel

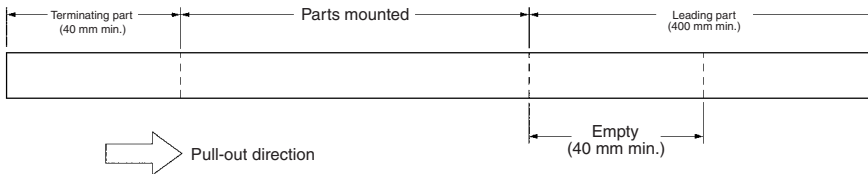
Reel



Tape



Tape configuration



Tape quantity

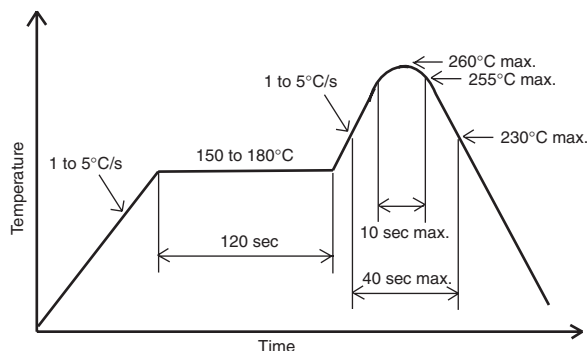
1,000 pcs./reel

Precautions

■ Soldering Information

Reflow soldering

- The following soldering paste is recommended:
Melting temperature: 216 to 220°C
Composition: Sn 3.5 Ag 0.75 Cu
- The recommended thickness of the metal mask for screen printing is between 0.2 and 0.25 mm.
- Set the reflow oven so that the temperature profile shown in the following chart is obtained for the upper surface of the product being soldered.



Manual soldering

- Use "Sn 60" (60% tin and 40% lead) or solder with silver content.
- Use a soldering iron of less than 25 W, and keep the temperature of the iron tip at 300°C or below.
- Solder each point for a maximum of three seconds.
- After soldering, allow the product to return to room temperature before handling it.

Storage

To protect the product from the effects of humidity until the package is opened, dry-box storage is recommended. If this is not possible, store the product under the following conditions:

Temperature: 10 to 30°C

Humidity: 60% max.

The product is packed in a humidity-proof envelope. Reflow soldering must be done within 48 hours after opening the envelope, during which time the product must be stored under 30°C at 80% maximum humidity.

If it is necessary to store the product after opening the envelope, use dry-box storage or reseal the envelope.

Baking

If a product has remained packed in a humidity-proof envelope for six months or more, or if more than 48 hours have lapsed since the envelope was opened, bake the product under the following conditions before use:

Reel: 60°C for 24 hours or more

Bulk: 80°C for 4 hours or more

OUR CERTIFICATE

DiGi provide top-quality products and perfect service for customer worldwide through standardization, technological innovation and continuous improvement. DiGi through third-party certification, we stricly control the quality of products and services. Welcome your RFQ to

Email: Info@DiGi-Electronics.com



Tel: +00 852-30501935

RFQ Email: Info@DiGi-Electronics.com

DiGi is a global authorized distributor of electronic components.