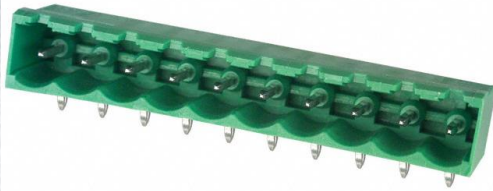


EDSTLZ950/10 Datasheet

www.digi-electronics.com



<https://www.DiGi-Electronics.com>

DiGi Electronics Part Number	EDSTLZ950/10-DG
Manufacturer	On Shore Technology Inc.
Manufacturer Product Number	EDSTLZ950/10
Description	TERM BLOCK HDR 10POS 5.08MM
Detailed Description	10 Position Terminal Block Header, Male Pins, Shrouded (4 Side) 0.200" (5.08mm) 90°, Right Angle Solder

This model EDSTLZ950/10 is available at DiGi Electronics.

DiGi Electronics offers a global database of semiconductor and electronic component datasheets.

We welcome your inquiries regarding pricing, lead time, or other product-related questions.

 [Request a Quote](#)

 [Datasheet Search](#)



Tel: +00 852-30501935

RFQ Email: Info@DiGi-Electronics.com

DiGi is a global authorized distributor of electronic components.

Purchase and inquiry

Manufacturer Product Number:

EDSTLZ950/10

Series:

EDSTLZ950

Type:

Header, Male Pins, Shrouded (4 Side)

Positions Per Level:

10

Pitch:

0.200" (5.08mm)

Plug Wire Entry:

-

Mounting Type:

Solder

Voltage - UL:

300 V

Wire Gauge or Range - mm²:

-

Operating Temperature:

-30°C ~ 105°C

Features:

-

Ingress Protection:

-

Torque - Screw:

-

Contact Material:

-

Contact Tail Length:

0.138" (3.50mm)

Base Product Number:

EDSTL

Manufacturer:

On Shore Technology Inc.

Product Status:

Active

Number of Positions:

10

Number of Levels:

1

Header Orientation:

90°, Right Angle

Termination Style:

-

Current - IEC:

-

Wire Gauge or Range - AWG:

-

Color:

-

Contact Mating Finish:

-

Material Flammability Rating:

-

Screw Size:

-

Wire Strip Length:

-

Housing Material:

Polyamide (PA), Nylon

Insulation Height:

0.138" (3.50mm)

Environmental & Export classification

RoHS Status:

ROHS3 Compliant

REACH Status:

REACH Compliant

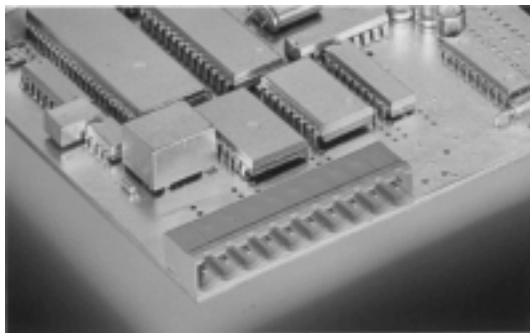
Moisture Sensitivity Level (MSL):

Unlimited

ECCN:

EAR99

EDSTL950/X (5.0 mm) EDSTLZ950/X (5.08 mm)



2-24 poles, Spacing 5.0 mm or 5.08 mm
insert required no. of poles **X**
How to order see page 5



Ratings:

Rated Voltage	300 V	250 V
Rated Current	15 A	12 A (T60)
Rating Impulse Voltage/Dirt Level		4 kV/3

Dimensions

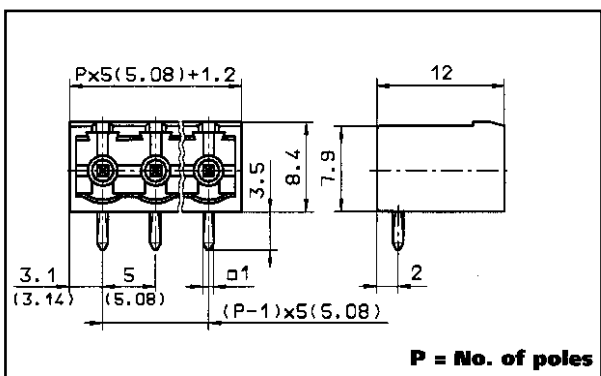
Spacing	5.0 mm (5.08 mm)
PCB Hole Diameter	1.4 mm

Materials

Insulating Material	PA/PBTP
Flammability Class	UL94 V-0
Temperature Range	-30°C/+105°C
Contact Pin	Cu

Color

Green



OUR CERTIFICATE

DiGi provide top-quality products and perfect service for customer worldwide through standardization, technological innovation and continuous improvement. DiGi through third-party certification, we stricly control the quality of products and services. Welcome your RFQ to

Email: Info@DiGi-Electronics.com



Tel: +00 852-30501935

RFQ Email: Info@DiGi-Electronics.com

DiGi is a global authorized distributor of electronic components.