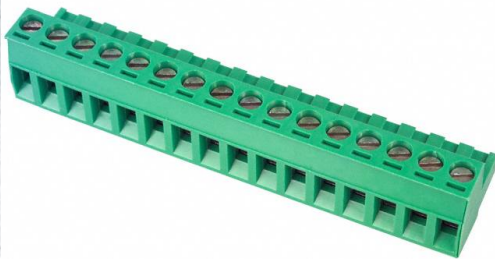


# EDZ950/16 Datasheet

[www.digi-electronics.com](http://www.digi-electronics.com)



<https://www.DiGi-Electronics.com>

DiGi Electronics Part Number	EDZ950/16-DG
Manufacturer	<a href="#">On Shore Technology Inc.</a>
Manufacturer Product Number	EDZ950/16
Description	TERM BLOCK PLUG 16POS STR 5.08MM
Detailed Description	16 Position Terminal Block Plug, Female Sockets 0.200" (5.08mm) Free Hanging (In-Line)

This model EDZ950/16 is available at DiGi Electronics.

DiGi Electronics offers a global database of semiconductor and electronic component datasheets.

We welcome your inquiries regarding pricing, lead time, or other product-related questions.

 [Request a Quote](#)

 [Datasheet Search](#)



Tel: +00 852-30501935

RFQ Email: [Info@DiGi-Electronics.com](mailto:Info@DiGi-Electronics.com)

DiGi is a global authorized distributor of electronic components.

## Purchase and inquiry

Manufacturer Product Number:

EDZ950/16

Series:

EDZ950

Type:

Plug, Female Sockets

Positions Per Level:

16

Pitch:

0.200" (5.08mm)

Plug Wire Entry:

-

Mounting Type:

Free Hanging (In-Line)

Voltage - UL:

300 V

Wire Gauge or Range - mm<sup>2</sup>:

2.5mm<sup>2</sup>

Operating Temperature:

-30°C ~ 105°C

Features:

-

Ingress Protection:

-

Torque - Screw:

0.5 Nm (4.4 Lb-In)

Contact Material:

Copper

Contact Tail Length:

-

Base Product Number:

EDZ950

Manufacturer:

On Shore Technology Inc.

Product Status:

Active

Number of Positions:

16

Number of Levels:

1

Header Orientation:

-

Termination Style:

Screw

Current - IEC:

-

Wire Gauge or Range - AWG:

12-22 AWG

Color:

Green

Contact Mating Finish:

-

Material Flammability Rating:

UL94 V-0

Screw Size:

-

Wire Strip Length:

6mm

Housing Material:

Polyamide (PA), Nylon

Insulation Height:

-

## Environmental & Export classification

RoHS Status:

ROHS3 Compliant

REACH Status:

REACH Compliant

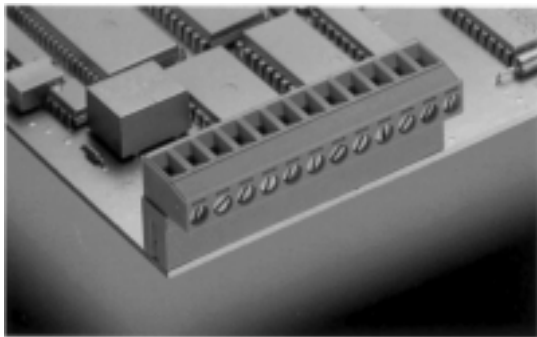
Moisture Sensitivity Level (MSL):

Unlimited

ECCN:

EAR99

# ED950/X (5.0 mm) EDZ950/X (5.08 mm)



2-24 poles, Spacing 5.0 mm or 5.08 mm  
insert required no. of poles  $\times$   
How to order see page 5



## Ratings:

Rated Voltage	300 V	250 V
Rated Current	15 A	12 A (T60)
Wire Size	AWG 22-12	2.5 mm <sup>2</sup>
Test Voltage		4 kV/3
Rated Torque/ScrewSize		0.5 Nm/M3

## Max. Rated Cross Section

Single Wire (solid)	2.5 mm <sup>2</sup>
Stranded Wire (flexible)	2.5 mm <sup>2</sup>
Stranded wire with Ferrules	2.5 mm <sup>2</sup>

## Dimensions

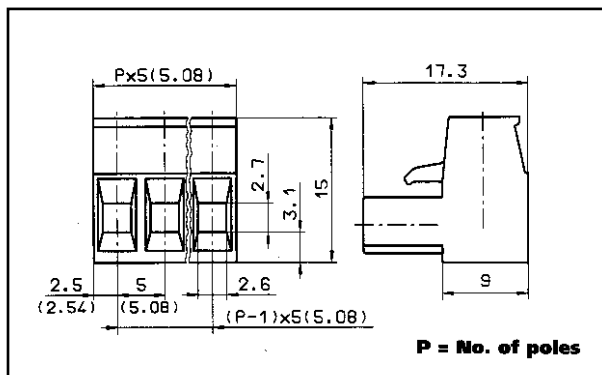
Spacing	5.0 mm (5.08 mm)
Stripped Length	6.0 mm

## Materials

Insulating Material	PA
Flammability Class	UL94 V-0
Temperature Range	-30°C/+105°C
Terminal Block	CuZn
Contact	CuSn

## Color

Green



## OUR CERTIFICATE

DiGi provide top-quality products and perfect service for customer worldwide through standardization, technological innovation and continuous improvement. DiGi through third-party certification, we strictly control the quality of products and services. Welcome your RFQ to

Email: [Info@DiGi-Electronics.com](mailto:Info@DiGi-Electronics.com)



Tel: +00 852-30501935

RFQ Email: [Info@DiGi-Electronics.com](mailto:Info@DiGi-Electronics.com)

DiGi is a global authorized distributor of electronic components.