

# OSTTT020181 Datasheet



DiGi Electronics Part Number	OSTTT020181-DG
Manufacturer	<a href="#">On Shore Technology Inc.</a>
Manufacturer Product Number	OSTTT020181
Description	TERM BLOCK PLUG 2POS 90DEG 5MM
Detailed Description	2 Position Terminal Block Plug for Unshrouded Header 0.197" (5.00mm) Free Hanging (In-Line)

<https://www.DiGi-Electronics.com>

This model OSTTT020181 is available at DiGi Electronics.

DiGi Electronics offers a global database of semiconductor and electronic component datasheets.

We welcome your inquiries regarding pricing, lead time, or other product-related questions.

 [Request a Quote](#)

 [Datasheet Search](#)



Tel: +00 852-30501935

RFQ Email: [Info@DiGi-Electronics.com](mailto:Info@DiGi-Electronics.com)

DiGi is a global authorized distributor of electronic components.

## Purchase and inquiry

Manufacturer Product Number:

OSTTT020181

Series:

OSTTT

Type:

Plug for Unshrouded Header

Positions Per Level:

2

Pitch:

0.197" (5.00mm)

Plug Wire Entry:

-

Mounting Type:

Free Hanging (In-Line)

Voltage - UL:

300 V

Wire Gauge or Range - mm<sup>2</sup>:

-

Operating Temperature:

-40°C ~ 115°C

Features:

-

Ingress Protection:

-

Torque - Screw:

0.2 Nm (1.7 Lb-In)

Contact Material:

Phosphor Bronze

Contact Tail Length:

-

Base Product Number:

OSTTT02

Manufacturer:

On Shore Technology Inc.

Product Status:

Active

Number of Positions:

2

Number of Levels:

1

Header Orientation:

-

Termination Style:

Screw

Current - IEC:

-

Wire Gauge or Range - AWG:

16-22 AWG

Color:

-

Contact Mating Finish:

-

Material Flammability Rating:

UL94 V-0

Screw Size:

-

Wire Strip Length:

5-6mm

Housing Material:

Thermoplastic

Insulation Height:

-

## Environmental & Export classification

RoHS Status:

ROHS3 Compliant

REACH Status:

REACH Compliant

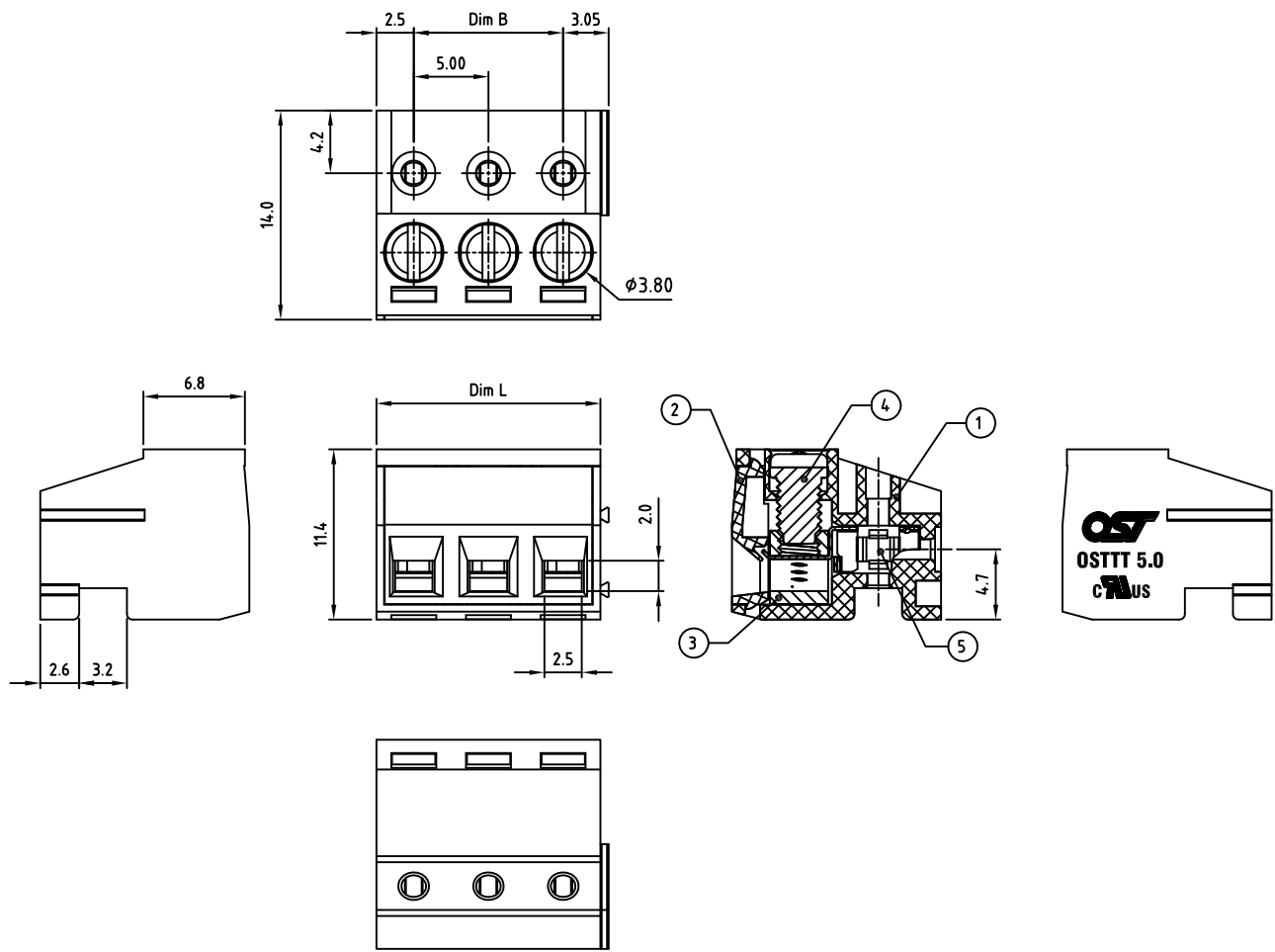
Moisture Sensitivity Level (MSL):

Unlimited

ECCN:

EAR99

Transfer or duplication of this document as well as the utilisation or communication of its content are not permitted unless express consent is granted. Violations give rise to claims for damages. All rights reserved in case of patent, utility model or design patent registrations.



- Technical data**
- Nominal voltage: 300V/10A  
PITCH:5.0mm
  - Connection capacity:  
AWG 26-16
  - Insulation Withstanding Voltage:  
AC 1600V/MIN
  - Insulation Resistance:  
1000M $\Omega$  or more at DC500V
  - Tightening torque:  
4.0kgf.cm (0.4N.m)
  - Screw thread: M3
  - Stripping length: 5.0-6.0mm
  - Operating temperature range: -40°C ~ 115°C
  - Undimensioned Tolerances:

Dim.L=Px5.0		
Dim.B=(P-1)x5.0		
P= number of poles(2-24P)		
0-30mm	Dim B	Dim L
over 30mm-60mm	$\pm 0.15$	$\pm 0.20$
over 60mm-90mm	$\pm 0.20$	$\pm 0.25$
over 90mm	$\pm 0.25$	$\pm 0.30$
	$\pm 0.30$	$\pm 0.40$

- Safety approval:
- RoHS Compliance

Part No.: OSTTTXX0101

No. of Poles	COLOR
02 2 Poles	0: Black (Standard)
03 3 Poles	2: Red
...	3: Orange
24 24 Poles	4: Yellow
	5: Green
Nonstandard colors	6: Blue
Mins could apply	8: Grey

5	WIRE GUARD	PhBz(t=0.20mm),	Tin plated	P
4	SCREW	STEEL	M3x0.5, Zn Plated	P
3	CAGE	BRASS	M3x0.5, Tin PLATED	P
2	COVER	PA66 UL94V-0	ALL COLOR	1
1	BODY	PA66 UL94V-0	ALL COLOR	1
ITEM	NAME OF PART	MATERIAL	NOTES	Q'TY
DWG.	WF. Zhang	DATE	2015.11.15	UNITS: MM SHEET: 1 OF 1 Tolerance
CHK.	WF. Zhang	DATE	2016.06.14	SCALE: NONE 3:1 ( : ) REV.: A
APP.		DATE		TITLE: OSTTT 5.0 Series Solid block type "-" slot screw
			PART NO. OSTTTXX0101	X. $\pm 0.50$
			DWG NO. OSTTTXX0101.dwg	X.X $\pm 0.30$
				X.XX $\pm 0.10$
				X* $\pm 1^\circ$

	SIGN	DESCRIPTION	CHK.	DATE
--	------	-------------	------	------

ON-SHORE TECHNOLOGY, INC.

OSTTT020181 On Shore Technology Inc. TERM BLOCK PLUG 2POS 90DEG 5MM

## OUR CERTIFICATE

DiGi provide top-quality products and perfect service for customer worldwide through standardization, technological innovation and continuous improvement. DiGi through third-party certification, we stricly control the quality of products and services. Welcome your RFQ to

Email: [Info@DiGi-Electronics.com](mailto:Info@DiGi-Electronics.com)



Tel: +00 852-30501935

RFQ Email: [Info@DiGi-Electronics.com](mailto:Info@DiGi-Electronics.com)

DiGi is a global authorized distributor of electronic components.