

# MSC-4A Datasheet

[www.digi-electronics.com](http://www.digi-electronics.com)



DiGi Electronics Part Number	MSC-4A-DG
Manufacturer	<a href="#">OptiFuse</a>
Manufacturer Product Number	MSC-4A
Description	FUSE GLASS 4A 250VAC 5X20MM
Detailed Description	4 A 250 V AC DC Fuse Cartridge, Glass Requires Holder 5mm x 20mm

<https://www.DiGi-Electronics.com>

This model MSC-4A is available at DiGi Electronics.

DiGi Electronics offers a global database of semiconductor and electronic component datasheets.

We welcome your inquiries regarding pricing, lead time, or other product-related questions.

 [Request a Quote](#)

 [Datasheet Search](#)



Tel: +00 852-30501935

RFQ Email: [Info@DiGi-Electronics.com](mailto:Info@DiGi-Electronics.com)

DiGi is a global authorized distributor of electronic components.

## Purchase and inquiry

Manufacturer Product Number:

MSC-4A

Series:

MSC

Mounting Type:

Requires Holder

Current Rating (Amps):

4 A

Response Time:

Medium Blow

Breaking Capacity @ Rated Voltage:

100A

Approval Agency:

cULus, UL 248

Color:

-

Base Product Number:

MSC

Manufacturer:

OptiFuse

Product Status:

Active

Fuse Type:

Cartridge, Glass

Voltage Rating - AC:

250 V

Package / Case:

5mm x 20mm

Melting I<sup>2</sup>t:

33.47

Operating Temperature:

-55°C ~ 125°C

Size / Dimension:

0.205" Dia x 0.787" L (5.20mm x 20.00mm)

## Environmental & Export classification

RoHS Status:

ROHS3 Compliant

REACH Status:

REACH Unaffected

HTSUS:

8535.10.0040

Moisture Sensitivity Level (MSL):

1 (Unlimited)

ECCN:

EAR99

# 5 x 20mm Medium Time Lag Glass Tube Fuse

MSC / MSC-P



## Product Specifications

## Part Numbers Information

### Electrical Specifications

Voltage Rating: 250VAC

Operating Temperature: -55°C ~ 90°C

### Standards

100mA-1.6A; 10A

2A-8A (125VAC ONLY)

2A-8A

Tested to UL 248-14 Standard. File E197390

Tested to CSA C22.2 No.248.14 Standard. File E197390



### Interrupting Rating

10kA @125VAC (100mA-8A;10A)

35A @250VAC (100mA-400mA)

100A @250VAC (500mA-8A)

200A @ 250VAC(10A)

100A @125VAC (1A-15A) (PSE) (Cartridge Style)

500A @125VAC (1A-15A) (PSE) (Pigtail Style)

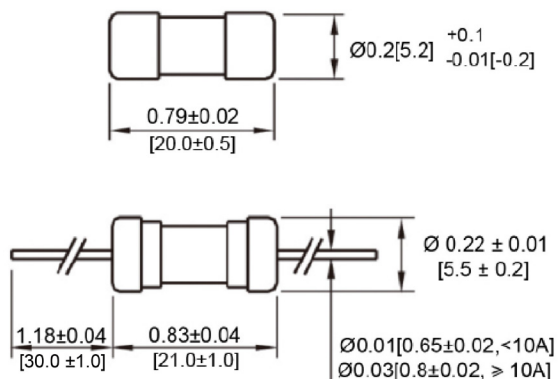
100A @250VAC (1A-15A) (PSE)

100A @ 250VAC (100mA-10A) KC

### Material Specifications

Body Material: Glass

### Mechanical Dimensions: Inches [mm]



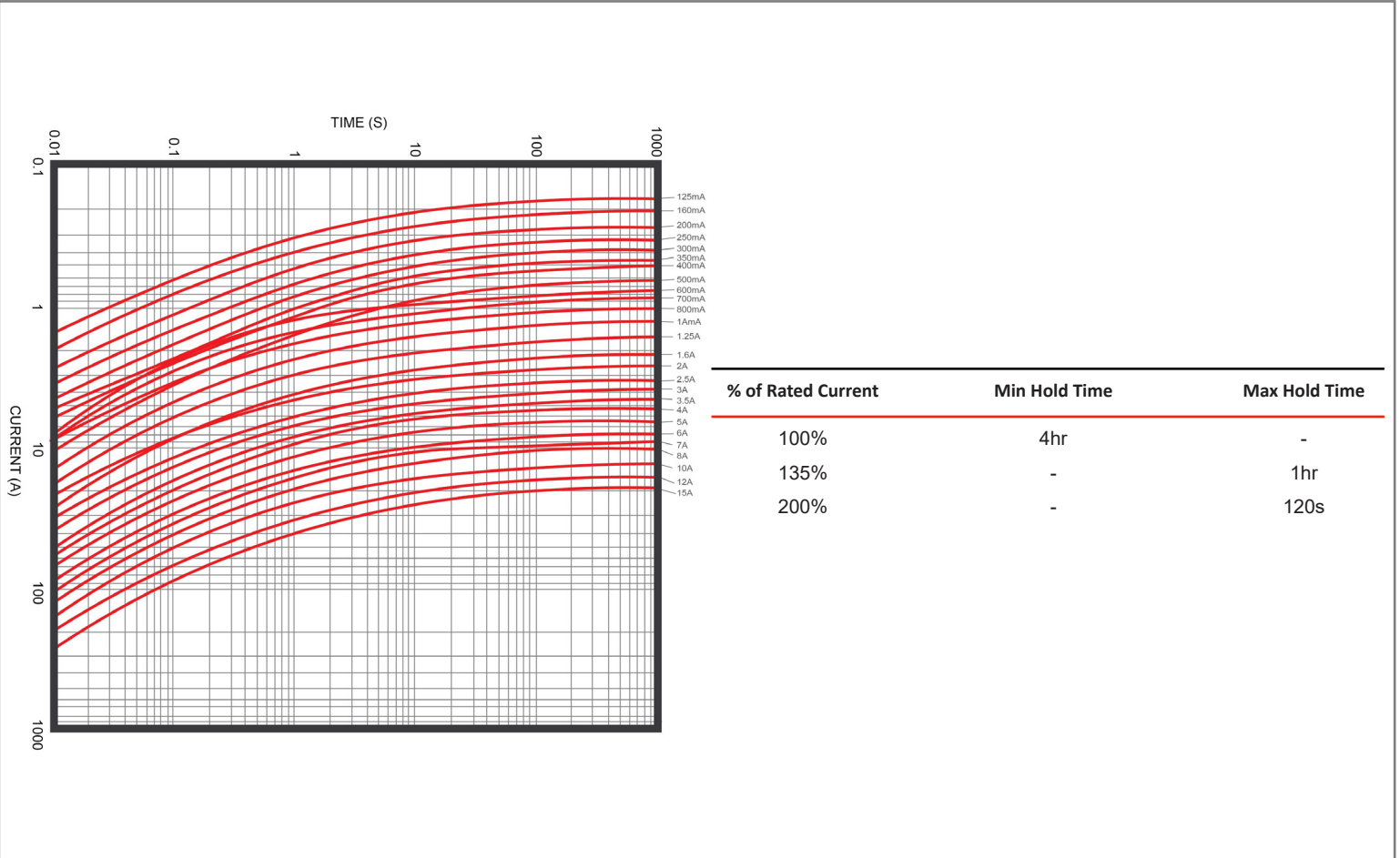
Cartridge P/N	Axial Lead P/N	Ampere Rating	I <sup>2</sup> T Reference (A <sup>2</sup> Sec)
MSC-100mA	MSC-P-100mA	100mA	0.01227
MSC-125mA	MSC-P-125mA	125mA	0.0253
MSC-150mA	MSC-P-150mA	150mA	0.02325
MSC-160mA	MSC-P-160mA	160mA	0.04315
MSC-200mA	MSC-P-200mA	200mA	0.08063
MSC-250mA	MSC-P-250mA	250mA	0.1341
MSC-300mA	MSC-P-300mA	300mA	0.2167
MSC-315mA	MSC-P-315mA	315mA	0.2393
MSC-350mA	MSC-P-350mA	350mA	0.3061
MSC-375mA	MSC-P-375mA	375mA	0.4017
MSC-400mA	MSC-P-400mA	400mA	0.3766
MSC-500mA	MSC-P-500mA	500mA	0.7704
MSC-600mA	MSC-P-600mA	600mA	0.6552
MSC-630mA	MSC-P-630mA	630mA	0.688
MSC-700mA	MSC-P-700mA	700mA	0.7551
MSC-750mA	MSC-P-750mA	750mA	0.8669
MSC-800mA	MSC-P-800mA	800mA	1.165
MSC-1A	MSC-P-1A	1A	2.112
MSC-1.2A	MSC-P-1.2A	1.2A	3.608
MSC-1.25A	MSC-P-1.25A	1.25A	3.962
MSC-1.5A	MSC-P-1.5A	1.5A	6.713
MSC-1.6A	MSC-P-1.6A	1.6A	7.795
MSC-2A	MSC-P-2A	2A	4.888
MSC-2.25A	MSC-P-2.25A	2.25A	6.383
MSC-2.5A	MSC-P-2.5A	2.5A	10.49
MSC-3A	MSC-P-3A	3A	15.5
MSC-3.15A	MSC-P-3.15A	3.15A	17.41
MSC-3.5A	MSC-P-3.5A	3.5A	27.88
MSC-4A	MSC-P-4A	4A	33.47
MSC-5A	MSC-P-5A	5A	51.13
MSC-6A	MSC-P-6A	6A	75.02
MSC-6.3A	MSC-P-6.3A	6.3A	84.15
MSC-7A	MSC-P-7A	7A	112.1
MSC-8A	MSC-P-8A	8A	167
MSC-9A	MSC-P-9A	9A	190.3
MSC-10A	MSC-P-10A	10A	257.8
MSC-12A	MSC-P-12A	12A	408.1
MSC-15A	MSC-P-15A	15A	731.9

**5 x 20mm Medium Time Lag  
Glass Tube Fuse**

**MSC / MSC-P**



**Time vs Percent of Rated Current**

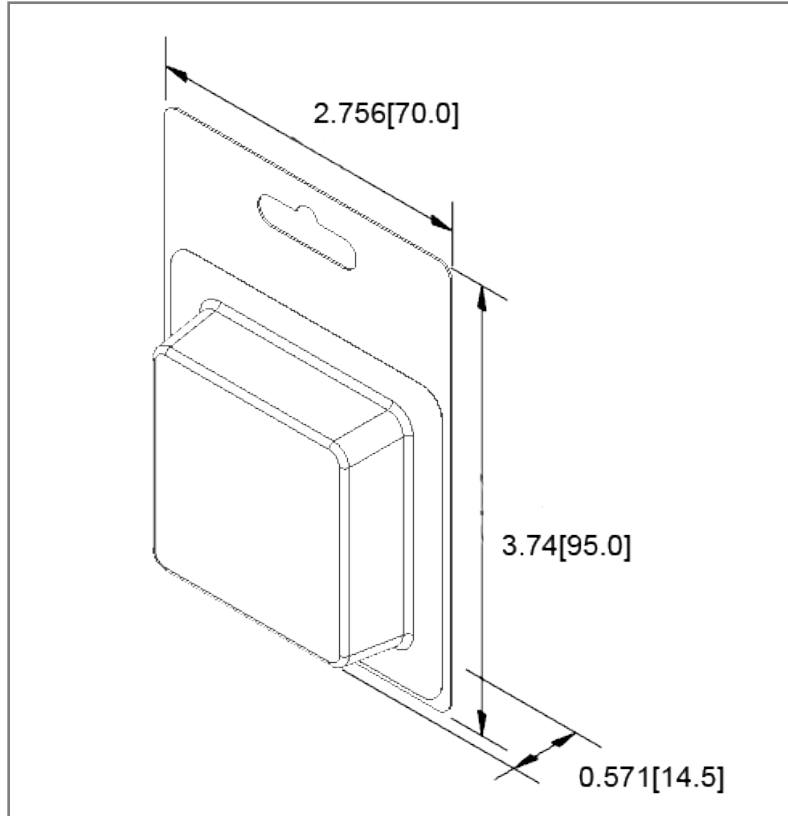


**5 x 20mm Medium Time Lag  
Glass Tube Fuse**

**MSC / MSC-P**



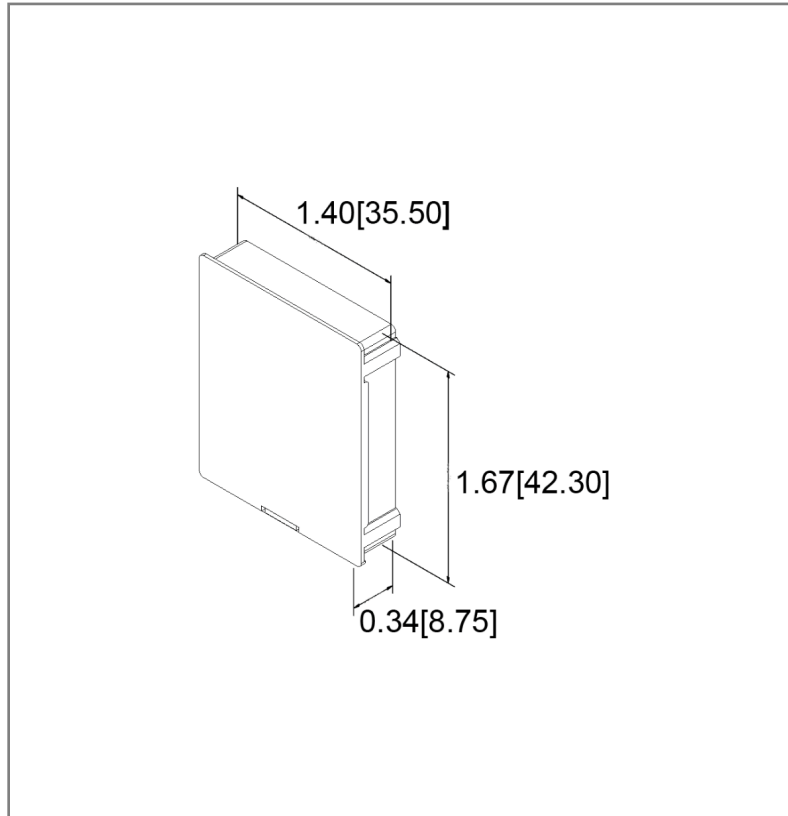
**Blister Pack: Inches [mm]**



**Retail Pack Part Number Information**

Ampere Rating	Retail Pack # Blister Card (5PCS)	Retail Pack # Pill Box (5PCS)
100mA	MSC-100mA-BP	MSC-100mA-BX
125mA	MSC-125mA-BP	MSC-125mA-BX
160mA	MSC-160mA-BP	MSC-160mA-BX
200mA	MSC-200mA-BP	MSC-200mA-BX
250mA	MSC-250mA-BP	MSC-250mA-BX
300mA	MSC-300mA-BP	MSC-300mA-BX
315mA	MSC-315mA-BP	MSC-315mA-BX
500mA	MSC-500mA-BP	MSC-500mA-BX
600mA	MSC-600mA-BP	MSC-600mA-BX
630mA	MSC-630mA-BP	MSC-630mA-BX
700mA	MSC-700mA-BP	MSC-700mA-BX
750mA	MSC-750mA-BP	MSC-750mA-BX
1A	MSC-1A-BP	MSC-1A-BX
1.25A	MSC-1.25A-BP	MSC-1.25A-BX
1.5A	MSC-1.5A-BP	MSC-1.5A-BX
1.6A	MSC-1.6A-BP	MSC-1.6A-BX
2A	MSC-2A-BP	MSC-2A-BX
2.25A	MSC-2.25A-BP	MSC-2.25A-BX
2.5A	MSC-2.5A-BP	MSC-2.5A-BX
3A	MSC-3A-BP	MSC-3A-BX
3.15A	MSC-3.15A-BP	MSC-3.15A-BX
3.5A	MSC-3.5A-BP	MSC-3.5A-BX
4A	MSC-4A-BP	MSC-4A-BX
5A	MSC-5A-BP	MSC-5A-BX
6A	MSC-6A-BP	MSC-6A-BX
6.3A	MSC-6.3A-BP	MSC-6.3A-BX
7A	MSC-7A-BP	MSC-7A-BX
8A	MSC-8A-BP	MSC-8A-BX

**Pill Box: Inches [mm]**



\* Retail packs are for cartridge style fuses only

**Rev Date of issue Revision Notes**

**Designed Approved**

D	02-26-2024	Initial Drawing	RC	OF
---	------------	-----------------	----	----

## OUR CERTIFICATE

DiGi provide top-quality products and perfect service for customer worldwide through standardization, technological innovation and continuous improvement. DiGi through third-party certification, we strictly control the quality of products and services. Welcome your RFQ to

Email: [Info@DiGi-Electronics.com](mailto:Info@DiGi-Electronics.com)



Tel: +00 852-30501935

RFQ Email: [Info@DiGi-Electronics.com](mailto:Info@DiGi-Electronics.com)

DiGi is a global authorized distributor of electronic components.