

TCD-10A Datasheet

www.digi-electronics.com



DiGi Electronics Part Number	TCD-10A-DG
Manufacturer	OptiFuse
Manufacturer Product Number	TCD-10A
Description	FUSE CERAMIC 10A 250VAC 5X20MM
Detailed Description	10 A 250 V AC DC Fuse Cartridge, Ceramic Requires Holder 5mm x 20mm

<https://www.DiGi-Electronics.com>

This model TCD-10A is available at DiGi Electronics.

DiGi Electronics offers a global database of semiconductor and electronic component datasheets.

We welcome your inquiries regarding pricing, lead time, or other product-related questions.

 [Request a Quote](#)

 [Datasheet Search](#)



Tel: +00 852-30501935

RFQ Email: Info@DiGi-Electronics.com

DiGi is a global authorized distributor of electronic components.

Purchase and inquiry

Manufacturer Product Number:

TCD-10A

Series:

TCD

Mounting Type:

Requires Holder

Current Rating (Amps):

10 A

Response Time:

Slow Blow

Breaking Capacity @ Rated Voltage:

1.5kA

Operating Temperature:

-55°C ~ 125°C

Size / Dimension:

0.205" Dia x 0.787" L (5.20mm x 20.00mm)

Manufacturer:

OptiFuse

Product Status:

Active

Fuse Type:

Cartridge, Ceramic

Voltage Rating - AC:

250 V

Package / Case:

5mm x 20mm

Approval Agency:

cURus, IEC 60127

Color:

-

Base Product Number:

TCD

Environmental & Export classification

RoHS Status:

ROHS3 Compliant

REACH Status:

REACH Unaffected

HTSUS:

8535.10.0040

Moisture Sensitivity Level (MSL):

1 (Unlimited)

ECCN:

EAR99

**5 x 20mm Time Lag
Ceramic Tube Fuse**

TCD / TCD-P




Product Specifications

Part Numbers Information

Electrical Specifications

Voltage Rating: 250VAC
Operating Temperature: -55°C ~ 125°C

Standards

200mA-16A 
Tested to UL 248-14 Standard. File E197390
Tested to CSA C22.2 No.248.14 Standard. File E197390

Interrupting Rating

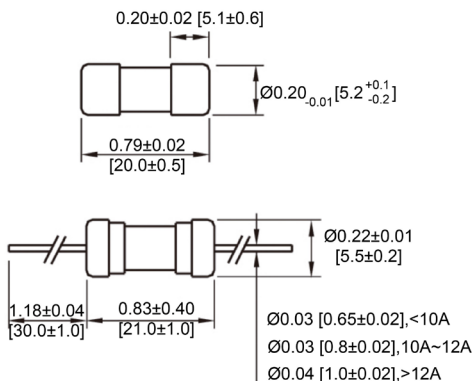
1500A @250VAC

Material Specifications

Body Material: Ceramic

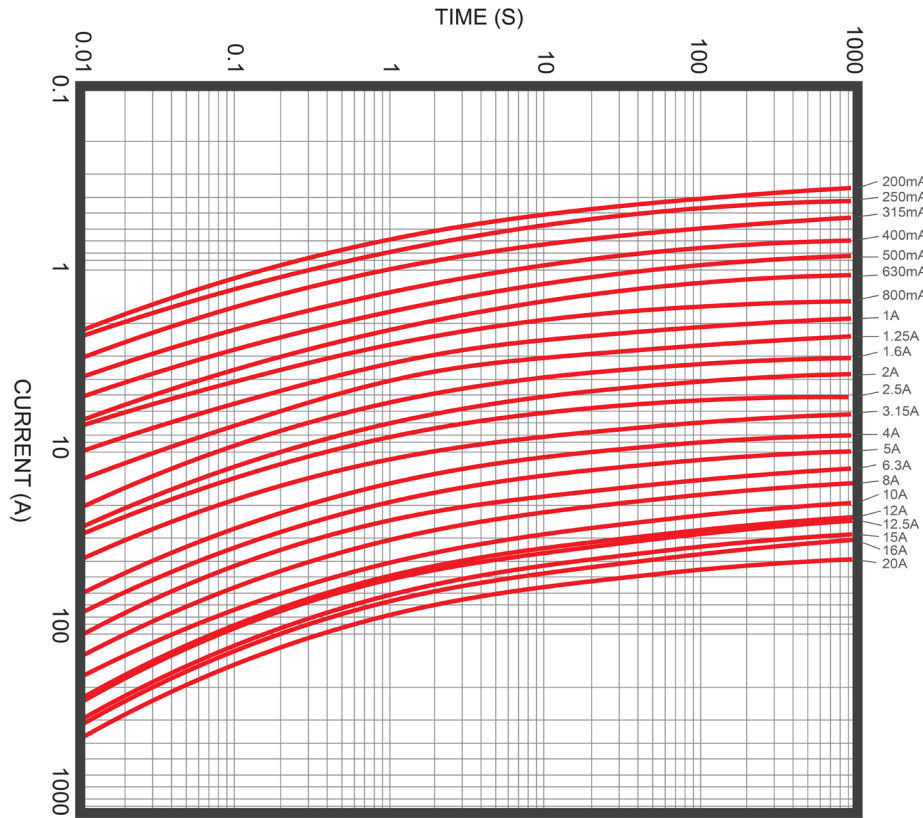
Cartridge P/N	Axial Lead P/N	Ampere Rating	I ² T Reference (A ² Sec)
TCD-200mA	TCD-P-200mA	200mA	0.048
TCD-250mA	TCD-P-250mA	250mA	0.057
TCD-315mA	TCD-P-315mA	315mA	0.096
TCD-400mA	TCD-P-400mA	400mA	0.161
TCD-500mA	TCD-P-500mA	500mA	0.257
TCD-630mA	TCD-P-630mA	630mA	0.451
TCD-800mA	TCD-P-800mA	800mA	0.5532
TCD-1A	TCD-P-1A	1A	1.014
TCD-1.25A	TCD-P-1.25A	1.25A	2.115
TCD-1.6A	TCD-P-1.6A	1.6A	4.238
TCD-2A	TCD-P-2A	2A	7.12
TCD-2.5A	TCD-P-2.5A	2.5A	7.781
TCD-3.15A	TCD-P-3.15A	3.15A	15.46
TCD-4A	TCD-P-4A	4A	37.6
TCD-5A	TCD-P-5A	5A	60.95
TCD-6.3A	TCD-P-6.3A	6.3A	101.3
TCD-8A	TCD-P-8A	8A	188.7
TCD-10A	TCD-P-10A	10A	323.4
TCD-12A	TCD-P-12A	12A	539.2
TCD-12.5A	TCD-P-12.5A	12.5A	585.1
TCD-15A	TCD-P-15A	15A	934.1
TCD-16A	TCD-P-16A	16A	1055

Mechanical Dimensions: Inches [mm]





Time vs Percent of Rated Current



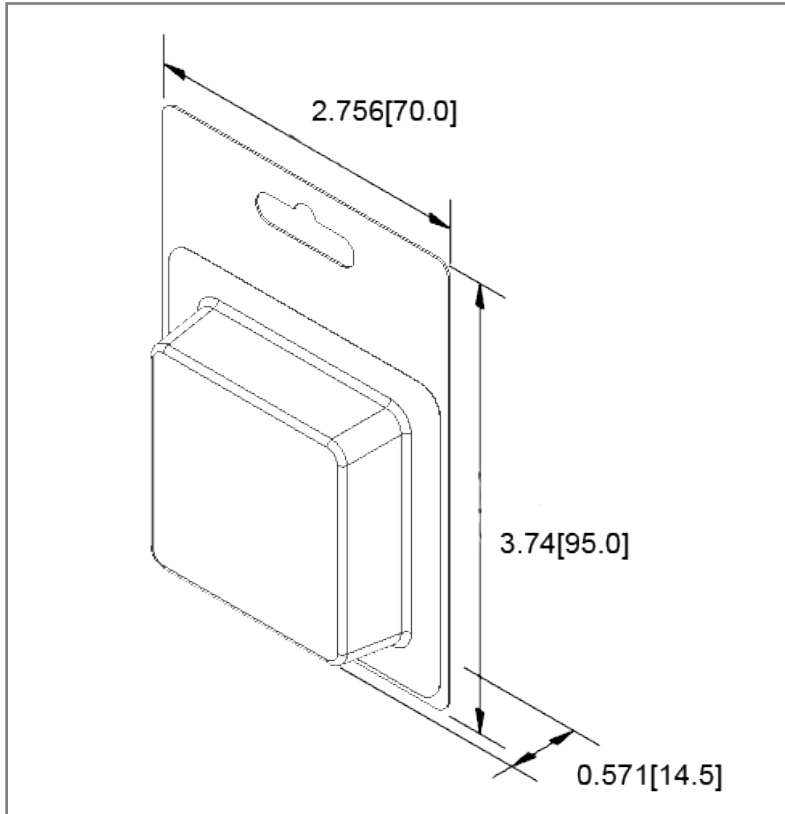
% of Rated Current	Current Rating	Min Hold Time	Max Hold Time
210%	200mA-800mA	-	30mins
	1A-3.15A	-	30mins
	4A-10A	-	30mins
	>10A	-	30mins
275%	200mA-800mA	250ms	80s
	1A-3.15A	750ms	80s
	4A-10A	750ms	80s
	>10A	1s	80s
400%	200mA-800mA	50ms	5s
	1A-3.15A	95ms	5s
	4A-10A	150ms	5s
	>10A	150ms	8s
1000%	200mA-800mA	5ms	150ms
	1A-3.15A	10ms	150ms
	4A-10A	10ms	150ms
	>10A	20ms	150ms

**5 x 20mm Time Lag
Ceramic Tube Fuse**

TCD / TCD-P



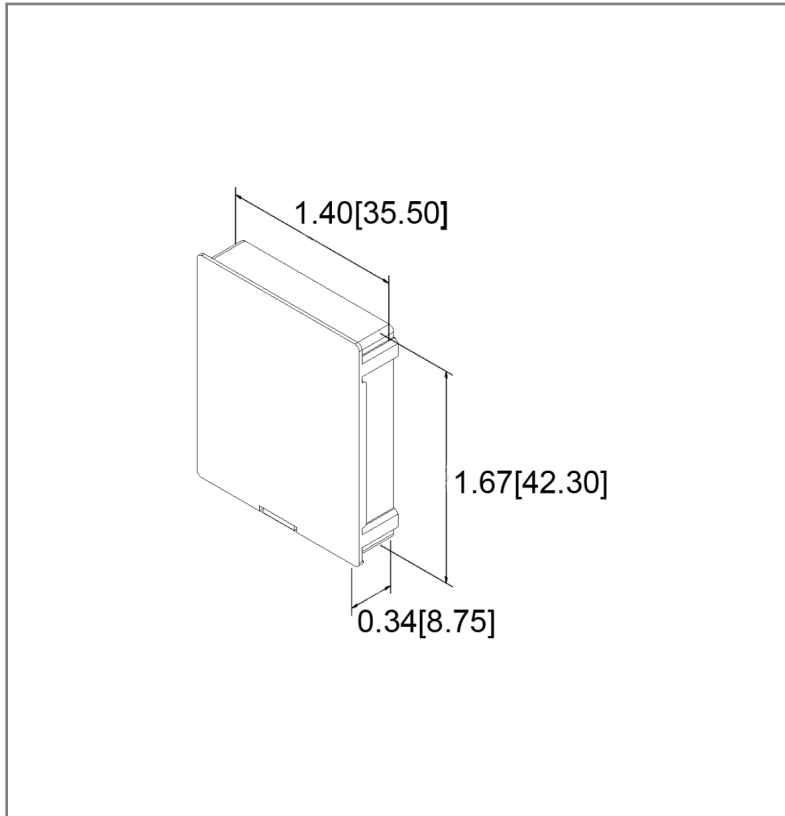
Blister Pack: Inches [mm]



Retail Pack Part Number Information

Ampere Rating	Retail Pack # Blister Card (5PCS)	Retail Pack # Pill Box (5PCS)
250mA	TCD-250mA-BP	TCD-250mA-BX
315mA	TCD-315mA-BP	TCD-315mA-BX
500mA	TCD-500mA-BP	TCD-500mA-BX
630mA	TCD-630mA-BP	TCD-630mA-BX
1A	TCD-1A-BP	TCD-1A-BX
1.25A	TCD-1.25A-BP	TCD-1.25A-BX
1.6A	TCD-1.6A-BP	TCD-1.6A-BX
2A	TCD-2A-BP	TCD-2A-BX
2.5A	TCD-2.5A-BP	TCD-2.5A-BX
3.15A	TCD-3.15A-BP	TCD-3.15A-BX
4A	TCD-4A-BP	TCD-4A-BX
5A	TCD-5A-BP	TCD-5A-BX
6.3A	TCD-6.3A-BP	TCD-6.3A-BX
8A	TCD-8A-BP	TCD-8A-BX
10A	TCD-10A-BP	TCD-10A-BX
12A	TCD-12A-BP	TCD-12A-BX
15A	TCD-15A-BP	TCD-15A-BX

Pill Box: Inches [mm]



* Retail packs are for cartridge style fuses only

Rev Date of issue Revision Notes

Designed Approved

C	03-07-2024	Initial Drawing	RC	OF
---	------------	-----------------	----	----

OUR CERTIFICATE

DiGi provide top-quality products and perfect service for customer worldwide through standardization, technological innovation and continuous improvement. DiGi through third-party certification, we stricly control the quality of products and services. Welcome your RFQ to

Email: Info@DiGi-Electronics.com



Tel: +00 852-30501935

RFQ Email: Info@DiGi-Electronics.com

DiGi is a global authorized distributor of electronic components.