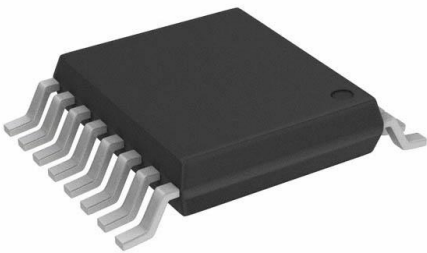


AB-557-03-HCLP-S-L-C-T3 Datasheet

www.digi-electronics.com



<https://www.DiGi-Electronics.com>

DiGi Electronics Part Number	AB-557-03-HCLP-S-L-C-T3-DG
Manufacturer	Abracon LLC
Manufacturer Product Number	AB-557-03-HCLP-S-L-C-T3
Description	IC PCIE CLOCK GEN 100MHZ 16TSSOP
Detailed Description	PCI Express (PCIe), Clock Generator Clock/Frequency Generator IC 460MHz 1 Output 16-TSSOP



Tel: +00 852-30501935

RFQ Email: Info@DiGi-Electronics.com

DiGi is a global authorized distributor of electronic components.

Purchase and inquiry

Manufacturer Product Number:

AB-557-03-HCLP-S-L-C-T3

Series:

Pure Silicon™

DiGi-Electronics Programmable:

Not Verified

Main Purpose:

PCI Express (PCIe), Clock Generator

Output:

HCSSL, LVPECL

Ratio - Input:Output:

0:2

Frequency - Max:

460MHz

Operating Temperature:

-40°C ~ 85°C

Package / Case:

16-TSSOP (0.173", 4.40mm Width)

Manufacturer:

Abracon LLC

Product Status:

Active

PLL:

Yes

Input:

-

Number of Circuits:

1

Differential - Input:Output:

No/Yes

Voltage - Supply:

2.25V ~ 3.6V

Mounting Type:

Surface Mount

Supplier Device Package:

16-TSSOP

Environmental & Export classification

RoHS Status:

ROHS3 Compliant

REACH Status:

REACH Unaffected

HTSUS:

8542.39.0001

Moisture Sensitivity Level (MSL):

3 (168 Hours)

ECCN:

EAR99

AB-557-03 Series

Request Samples



Check Inventory



ESD Sensitive



3.2 x 2.5 x .85 mm (14 pin QFN)

RoHS/RoHS II Compliant

MSL Level = 1

Features

- Meets PCIe Gen1, Gen2, & Gen3 specs.
- High Performance MEMS Technology by Discera
- Available Mixed Output Formats: HCSL, LVPECL, LVDS or LVC MOS
- Wide Temperature Range: -40° to 105° C
- Wide Supply Range: 2.25V to 3.6 V
- Low Power Consumption
- Excellent Shock & Vibration Immunity

Applications

- Solid State Storage
- Storage Area Networks
- Passive Optical Networks
- Ethernet: 1G, 10GBASE-T/KR/LR/SR, and FCoE
- TV and other Consumer Electronics
- Industrial and Medical
- Scanner, Printer

Key Electrical Specifications

Parameters		Minimum	Typical	Maximum	Units	Notes
Frequency	f ₀	2.3	100	460*1	MHz	
Operating Temperature		-20		+70	°C	See options
Storage Temperature		-55		+150	°C	
Overall Freq. Stability*2	Δf	-100		+100	ppm	See options
Supply Voltage	V _{DD}	+2.25		+3.6	V	
Supply Current- Enabled	I _{DD}		60		mA	R _L =50Ω,
Supply Current- Disabled	I _{DD}		21	23	mA	
Startup Time	t _{su}			5	ms	
Enable Time	t _{EN}			20	ns	
Disable Time	t _{DA}			5	ns	
Tri-state Function (Standby/Disable)		"1" (VIH≥0.75*Vdd) or Open:			V	40kΩ pull-up
Aging		-5.0		+5.0	ppm	First year
Output Offset Voltage	V _{OH}	0.725			V	R _L =50 Ω
	V _{OL}			0.10		
Peak to Peak Output Swing			750		mV	Single-Ended
Rise Time	t _r	200		400	ps	R _L =50 Ω, C _L =2pF
Fall Time	t _f	200		400	ps	20% to 80%
Duty Cycle	SYM	48		52	%	Differential
Period Jitter	J _{PER}		2.5		pSRMS	F ₀₁ =F ₀₂ =100.00MHz
Integrated Phase Noise (Common Clock Architecture)	R _J		0.540		pSRMS	PCIe Gen 1.1 T _J = D _J + 14.069 x R _J (BER 10-12)
	D _J		0.832	41.9	pSp-P	
	T _J		8.536	86.0		
	J _{RMS-}		0.458	3.1	pSRMS	PCIe Gen 2.1
	J _{RMS-}		0.030	3.0		PCIe Gen 2.1
	J _{RMS-CC}		0.165	1.0		PCIe Gen 3.0
Integrated Phase Noise (Data Clock Architecture)	J _{RMS-}		0.561	4.0	pSRMS	PCIe Gen 2.1
	J _{RMS-}		1.778	7.5		PCIe Gen 2.1
	J _{RMS-CC}		0.147	1.0		PCIe Gen 3.0

*1. For frequency other than 100MHz, please contact ABRACON or consider using ASEMDxx series

2. Frequency stability includes frequency variations due to initial tolerance, temp. and power supply voltage



CRYSTAL-LESS PCI EXPRESS DUAL OUTPUT ULTRA MINIATURE PURE SILICONTM SMD CLOCK GENERATOR

AB-557-03 Series

Request Samples



Check Inventory



ESD Sensitive



3.2 x 2.5 x .85 mm (14 pin QFN)

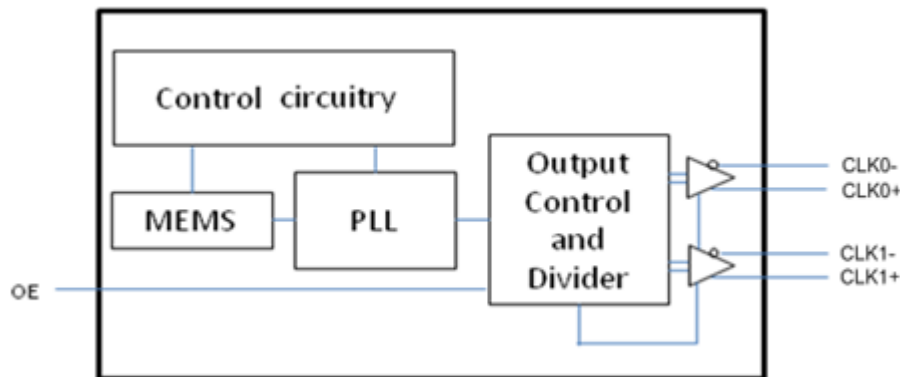
RoHS/RoHS II Compliant

MSL Level = 1

Absolute Maximum Ratings

Item	Minimum	Maximum	Unit	Condition
Supply Voltage	-0.3	+4.0	V	
Input Voltage	-0.3	V _{dd} +0.3	V	
Junction Temp.		+150	°C	
Storage Temp.	-55	+150	°C	
Soldering Temp.		+260	°C	40sec max
ESD				
HBM		4,000	V	
MM		400		
CDM		1,500		

Block Diagram



CRYSTAL-LESS PCI EXPRESS DUAL OUTPUT ULTRA MINIATURE PURE SILICON™ SMD CLOCK GENERATOR

AB-557-03 Series

Request Samples



Check Inventory



ESD Sensitive



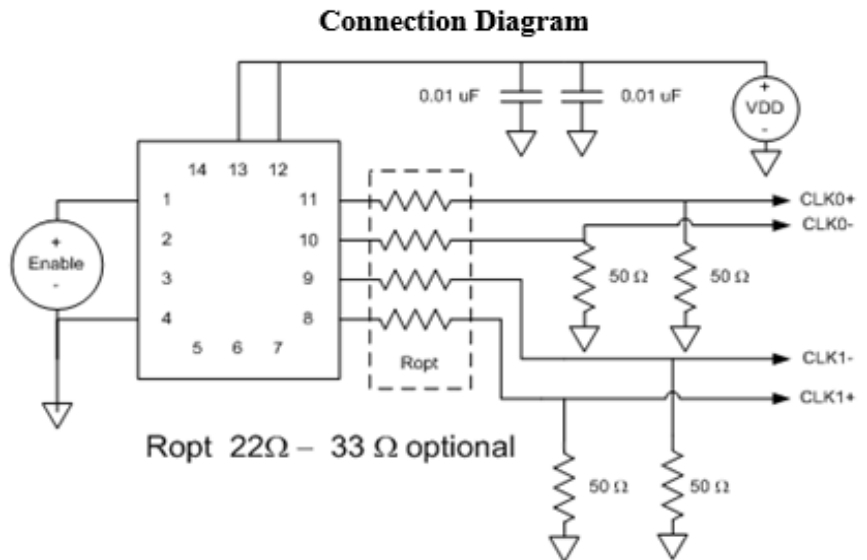
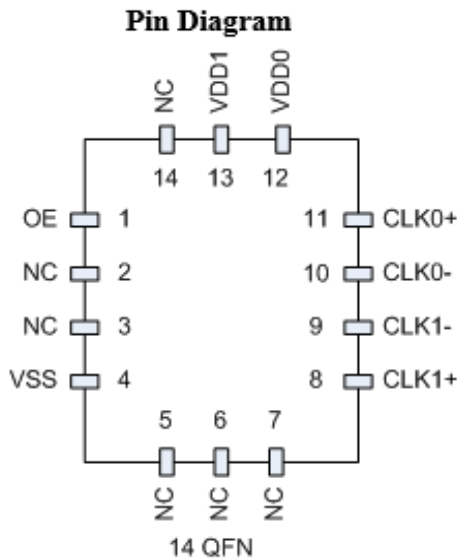
3.2 x 2.5 x .85 mm (14 pin QFN)

RoHS/RoHS II Compliant

MSL Level = 1

Pin Layout:

14 Pin QFN:



Pin No.	Pin Name	Pin Type	Description
1	OE	I	Output Enable; active high
2	NC	NA	Ground Connected or Leave Unconnected
3	NC	NA	Ground Connected or Leave Unconnected
4	VSS	Power	Ground
5	NC	NA	Ground Connected or Leave Unconnected
6	NC	NA	Ground Connected or Leave Unconnected
7	NC	NA	Ground Connected or Leave Unconnected
8	CLK1+	O	True output of differential pair
9	CLK1-	O	Complement output of differential pair
10	CLK0-	O	Complement output of differential pair
11	CLK0+	O	True output of differential pair
12	VDD0	Power	Power Supply for Output 0 (CLK+/- 0)
13	VDD1	Power	Power Supply for Core and Output 1 (CLK +/- 1)
14	NC	NA	Ground Connected or Leave Unconnected



5101 Hidden Creek Ln Spicewood TX 78669
 Phone: 512-371-6159 | Fax: 512-351-8858
 For terms and conditions of sales, please visit:
www.abracon.com

REV: A

ABRACON IS
 ISO9001-2015
 CERTIFIED

CRYSTAL-LESS PCI EXPRESS DUAL OUTPUT ULTRA MINIATURE PURE SILICONTM SMD CLOCK GENERATOR

AB-557-03 Series

Request Samples



Check Inventory



ESD Sensitive



3.2 x 2.5 x .85 mm (14 pin QFN)

RoHS/RoHS II Compliant

MSL Level = 1

Options and Part Identification (left blank if standard):

AB-557-03-□□-□-□-□-□

Output Format, Clk1
C: LVCMOS
LP: LVPECL
LV:LVDS
HC:HCSL

Packaging
Blank: Bulk
T: Tape & Reel(1kpcs / reel)
T3: Tape & Reel(3kpcs/reel)

Overall Freq. Stability
Blank: ±100ppm
C: ±50ppm

Output Format, Clk0
C: LVCMOS
LP: LVPECL
LV:LVDS
HC:HCSL

Package Type
F: 14-QFN

Operating Temp.
E: -20°C ~ +70°C
L: -40°C ~ +85°C
X: -40°C ~ +105°C

Note: For frequency other than 100MHz, please contact ABRACON or consider using ASEMDxx series



5101 Hidden Creek Ln Spicewood TX 78669
 Phone: 512-371-6159 | Fax: 512-351-8858
 For terms and conditions of sales, please visit:
www.abracon.com

REV: A

ABRACON IS
 ISO9001-2015
 CERTIFIED

CRYSTAL-LESS PCI EXPRESS DUAL OUTPUT ULTRA MINIATURE PURE SILICON™ SMD CLOCK GENERATOR

AB-557-03 Series

Request Samples



Check Inventory



ESD Sensitive



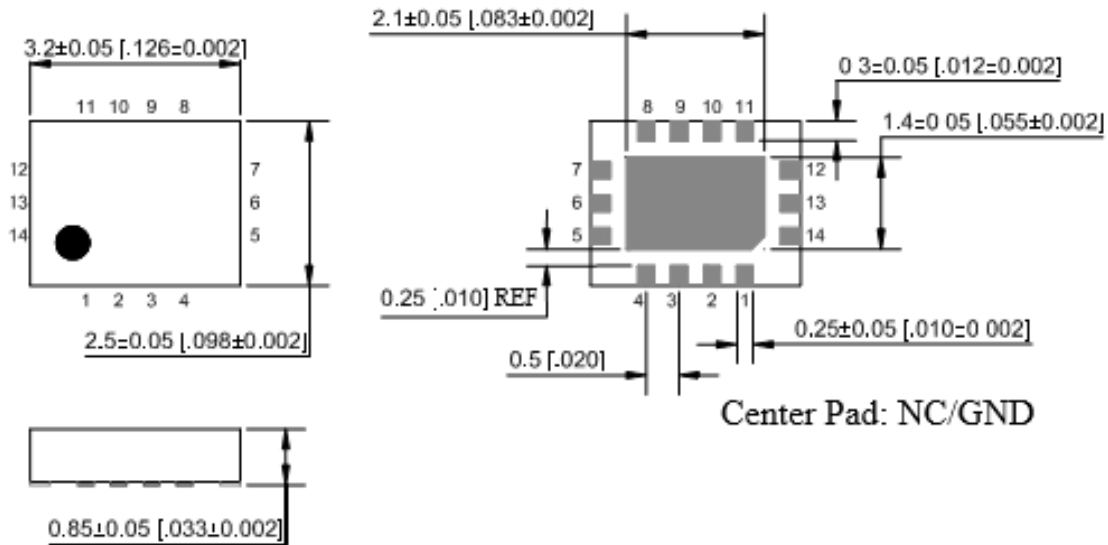
3.2 x 2.5 x .85 mm (14 pin QFN)

RoHS/RoHS II Compliant

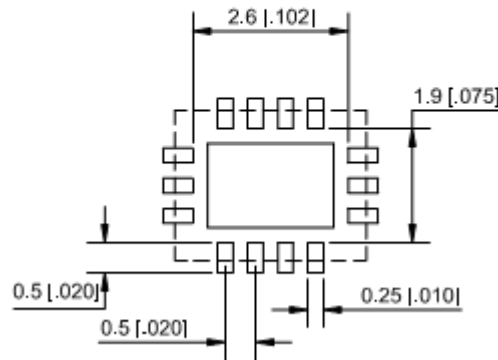
MSL Level = 1

Mechanical Dimensions:

14 pin QFN:



Recommended Solder Pad Layout



Dimensions: mm [inches]



5101 Hidden Creek Ln Spicewood TX 78669
 Phone: 512-371-6159 | Fax: 512-351-8858
 For terms and conditions of sales, please visit:
www.abracon.com

REV: A

ABRACON IS
 ISO9001-2015
 CERTIFIED

CRYSTAL-LESS PCI EXPRESS DUAL OUTPUT ULTRA MINIATURE PURE SILICON™ SMD CLOCK GENERATOR

AB-557-03 Series

Request Samples



Check Inventory



ESD Sensitive



3.2 x 2.5 x .85 mm (14 pin QFN)

RoHS/RoHS II Compliant

MSL Level = 1

Reflow Profile [JEDEC J-STD-020]

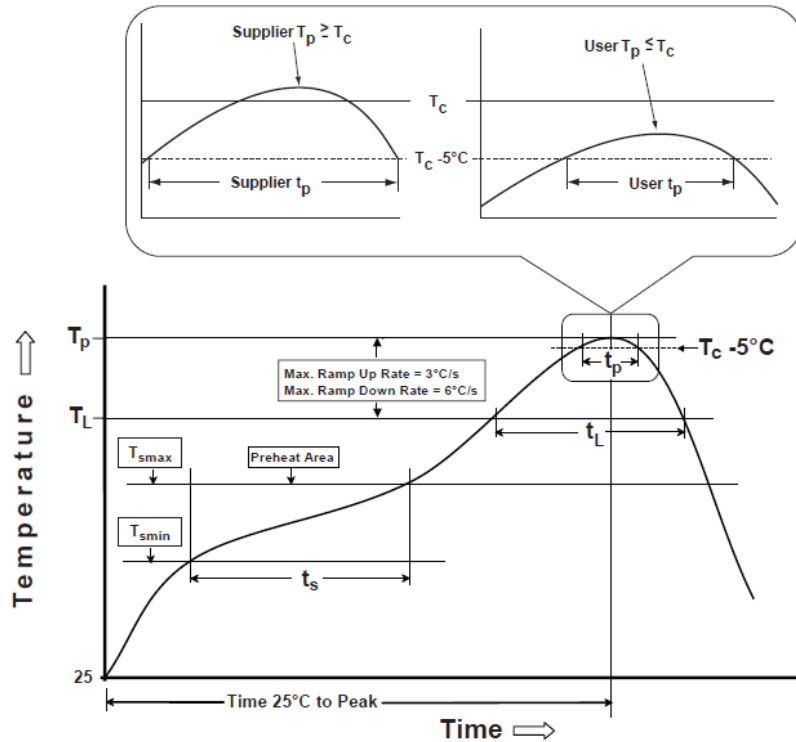


Table 1

SnPb Eutectic Process Classification Temperatures (T_c)

Package Thickness	Volume mm ³ <350	Volume mm ³ ≥350
<2.5 mm	235 °C	220 °C
≥2.5 mm	220 °C	220 °C

Table 2

Pb-Free Process Classification Temperatures (T_c)

Package Thickness	Volume mm ³ <350	Volume mm ³ 350-2000	Volume mm ³ >2000
<1.6 mm	260 °C	260 °C	260 °C
1.6 mm - 2.5 mm	260 °C	250 °C	245 °C
>2.5 mm	250 °C	245 °C	245 °C

Profile Feature	Sn-Pb Eutectic Assembly	Pb-Free Assembly
Preheat / soak		
Temperature minimum (T_{smin})	100°C	150°C
Temperature maximum (T_{smax})	150°C	200°C
Time (T_{smin} to T_{smax}) (t_s)	60 - 120 sec.	60 - 120 sec.
Average ramp-up rate (T_{smax} to T_p)	3°C/sec. max	3°C/sec. max
Liquidous temperature (T_L)	183°C	217°C
Time at liquidous (t_L)	60 - 150 sec.	60 - 150 sec.
Peak package body temperature (T_p)*	see Table 1	see Table 2
Time (t_p)** within 5°C of the specified classification temperature (T_c)	20 sec.	30 sec.
Ramp-down rate (T_p to T_{smax})	6°C/sec. max	6°C/sec. max
Time 25°C to peak temperature	6 min. max	8 min. max
Reflow cycles	2 max	2 max

*Tolerance for peak profile temperature (T_p) is defined as a supplier minimum and a user maximum.

**Tolerance for time at peak profile temperature (t_p) is defined as supplier minimum and a user maximum.



5101 Hidden Creek Ln Spicewood TX 78669
 Phone: 512-371-6159 | Fax: 512-351-8858
 For terms and conditions of sales, please visit:
www.abracon.com

REV: A

ABRACON IS
 ISO9001-2015
 CERTIFIED

CRYSTAL-LESS PCI EXPRESS DUAL OUTPUT ULTRA MINIATURE PURE SILICON™ SMD CLOCK GENERATOR

AB-557-03 Series

Request Samples



Check Inventory



ESD Sensitive



3.2 x 2.5 x .85 mm (14 pin QFN)

RoHS/RoHS II Compliant

MSL Level = 1

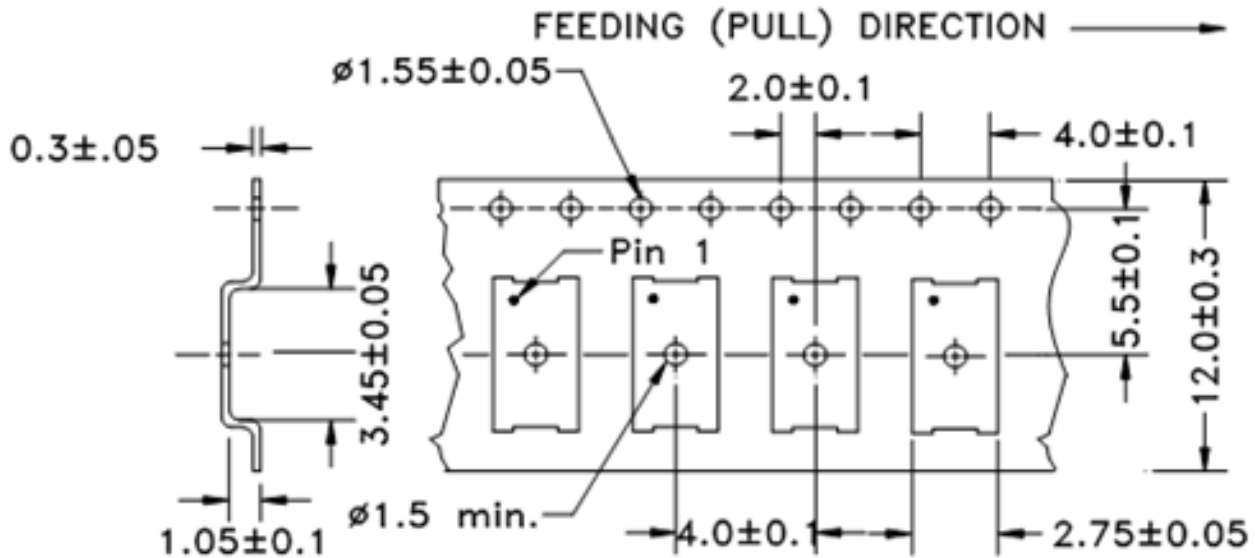
Packaging

14 Pin QFN Tape Drawing:

T= 1,000pcs/reel

T3= 3,000pcs/reel

Reel Size = 7" diameter



Dimensions: mm



5101 Hidden Creek Ln Spicewood TX 78669
 Phone: 512-371-6159 | Fax: 512-351-8858
 For terms and conditions of sales, please visit:
www.abracon.com

REV: A

ABRACON IS
 ISO9001-2015
 CERTIFIED

CRYSTAL-LESS PCI EXPRESS DUAL OUTPUT ULTRA MINIATURE PURE SILICON™ SMD CLOCK GENERATOR

AB-557-03 Series

Request Samples



Check Inventory



ESD Sensitive

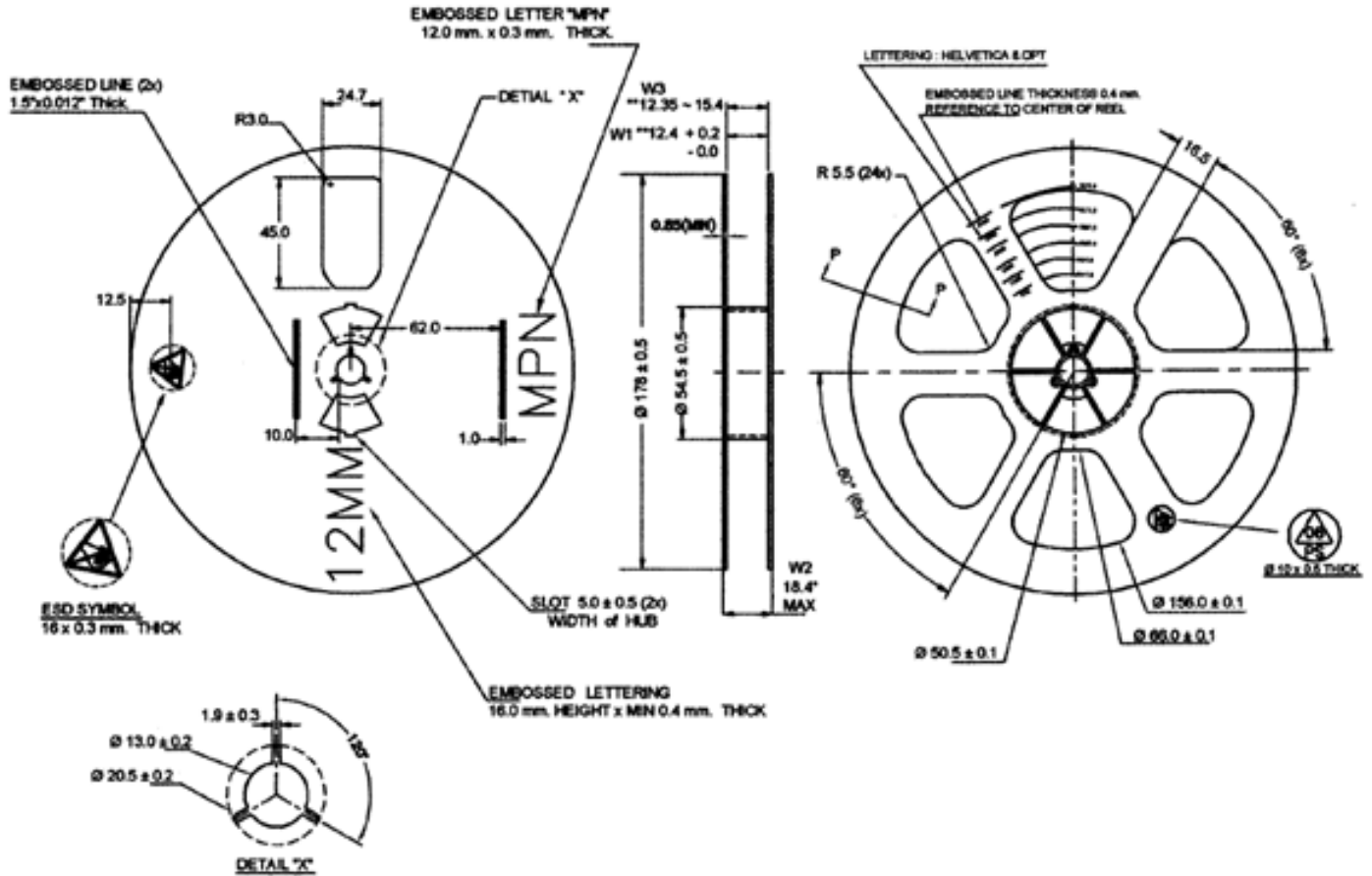


3.2 x 2.5 x .85 mm (14 pin QFN)

RoHS/RoHS II Compliant

MSL Level = 1

7" Reel Drawing (1000pcs/reel):



Dimensions: mm



5101 Hidden Creek Ln Spicewood TX 78669
 Phone: 512-371-6159 | Fax: 512-351-8858
 For terms and conditions of sales, please visit:
www.abracon.com

REV: A

ABRACON IS
 ISO9001-2015
 CERTIFIED

CRYSTAL-LESS PCI EXPRESS DUAL OUTPUT ULTRA MINIATURE PURE SILICON™ SMD CLOCK GENERATOR

AB-557-03 Series

Request Samples



Check Inventory



ESD Sensitive

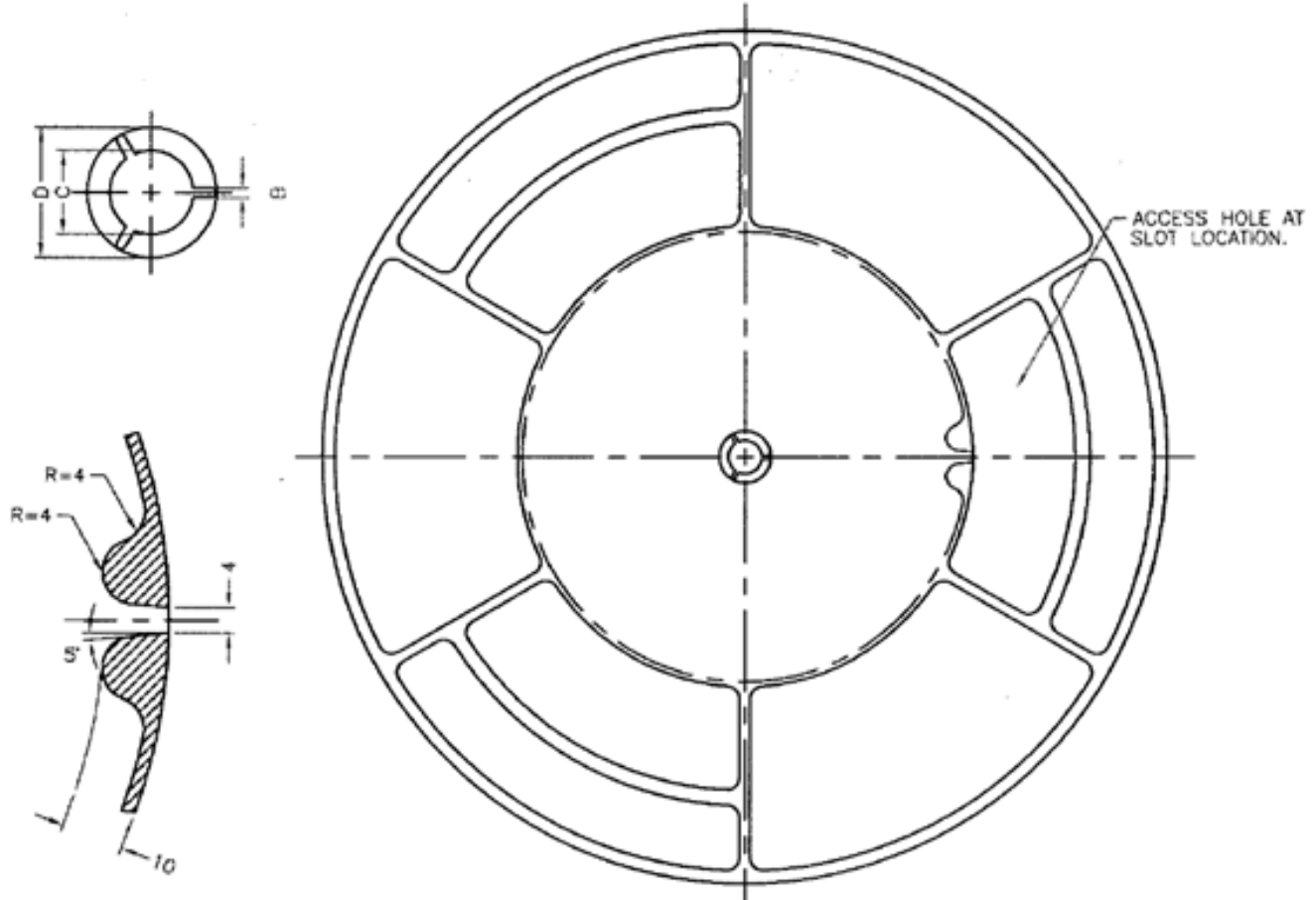


3.2 x 2.5 x .85 mm (14 pin QFN)

RoHS/RoHS II Compliant

MSL Level = 1

13" Reel Drawing (3000pcs/reel):



A	N	W1	W2	W3	D	B	C	Tape Width
330 (13")	178 (7") max.	12.4+2/-0	18.4 max.	12.35 min. 15.40 max.	20.2 min.	1.5 min	13.0+0.5/-0.2	12

Dimensions: mm

ATTENTION: Abracon LLC's products are COTS – Commercial-Off-The-Shelf products; suitable for Commercial, Industrial and, where designated, Automotive Applications. Abracon's products are not specifically designed for Military, Aviation, Aerospace, Life-dependent Medical applications or any application requiring high reliability where component failure could result in loss of life and/or property. For applications requiring high reliability and/or presenting an extreme operating environment, written consent and authorization from Abracon LLC is required. Please contact Abracon LLC for more information.



5101 Hidden Creek Ln Spicewood TX 78669
 Phone: 512-371-6159 | Fax: 512-351-8858
 For terms and conditions of sales, please visit:
www.abracon.com

REV: A

ABRACON IS
 ISO9001-2015
 CERTIFIED

OUR CERTIFICATE

DiGi provide top-quality products and perfect service for customer worldwide through standardization, technological innovation and continuous improvement. DiGi through third-party certification, we strictly control the quality of products and services. Welcome your RFQ to

Email: Info@DiGi-Electronics.com



Tel: +00 852-30501935

RFQ Email: Info@DiGi-Electronics.com

DiGi is a global authorized distributor of electronic components.