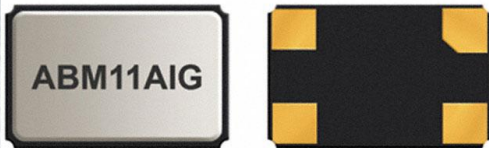


ABM11AIG-30.000MHZ-4Z-T3 Datasheet

www.digi-electronics.com



<https://www.DiGi-Electronics.com>

DiGi Electronics Part Number	ABM11AIG-30.000MHZ-4Z-T3-DG
Manufacturer	Abracon LLC
Manufacturer Product Number	ABM11AIG-30.000MHZ-4Z-T3
Description	CRYSTAL 30.0000MHZ 10PF SMD
Detailed Description	30 MHz ±30ppm Crystal 10pF 80 Ohms 4-SMD, No Lead

This model ABM11AIG-30.000MHZ-4Z-T3 is available at DiGi Electronics.

DiGi Electronics offers a global database of semiconductor and electronic component datasheets.

We welcome your inquiries regarding pricing, lead time, or other product-related questions.

 [Request a Quote](#)

 [Datasheet Search](#)



Tel: +00 852-30501935

RFQ Email: Info@DiGi-Electronics.com

DiGi is a global authorized distributor of electronic components.

Purchase and inquiry

Manufacturer Product Number:

ABM11AIG-30.000MHZ-4Z-T3

Series:

ABM11AIG

Type:

MHz Crystal

Frequency Stability:

±50ppm

Load Capacitance:

10pF

Operating Mode:

Fundamental

Ratings:

AEC-Q200

Package / Case:

4-SMD, No Lead

Height - Seated (Max):

0.022" (0.55mm)

Manufacturer:

Abracon LLC

Product Status:

Active

Frequency:

30 MHz

Frequency Tolerance:

±30ppm

ESR (Equivalent Series Resistance):

80 Ohms

Operating Temperature:

-40°C ~ 125°C

Mounting Type:

Surface Mount

Size / Dimension:

0.079" L x 0.063" W (2.00mm x 1.60mm)

Environmental & Export classification

RoHS Status:

ROHS3 Compliant

REACH Status:

REACH Unaffected

HTSUS:

8541.60.0060

Moisture Sensitivity Level (MSL):

Not Applicable

ECCN:

EAR99

Automotive & Industrial Grade Miniature Ceramic Base SMD Crystal



ABM11AIG



2.0 x 1.6 x 0.55 mm
 RoHS/RoHS II Compliant
 MSL = N/A: Not Applicable

Features

- AEC-Q200 Qualified
- Automotive Grade 1: -40°C to +125°C
- Automotive Grade 0: -40°C to +150°C (Available Upon Request)
- TS16949 Production Line Certified
- PPAP Available Upon Request
- Hermetically Seam-sealed Ceramic Package
- RoHS/RoHS II Compliant and Pb free

Applications

- Infotainment Systems
- Keyless Entry & Startup
- GPS & Navigation
- Comfort control
- ADAS (Advanced Driver Assistance Systems)
- Vehicle to Vehicle Communication
- LiDAR (Light Detection and Ranging)
- In-vehicle Networking
- Powertrain & Drive Control
- Power Control & Conversion
- Industrial Control & Automation

Electrical Specifications

Parameters	Min.	Typ.	Max.	Units	Notes
Frequency Range	16.000		60.000	MHz	
Operation Mode	Fundamental				
Operating Temperature [Note 1]	-40		+125	°C	Option "blank"; See options
	-40		+150		Option "V"; See options
Storage Temperature [Note 1]	-40		+125	°C	Option "blank, J, D, N"
	-40		+150		Option "V"
Frequency Tolerance @ +25°C	-50		+50	ppm	Option "blank"; See options
Frequency Stability over the Operating Temperature (ref. to +25°C)	-100		+100	ppm	Option "blank"; See options
	-150		+150		Option "R"; See options
Equivalent series resistance (R1)			150	Ω	16.000 – 19.999 MHz
			100		20.000 – 23.999 MHz
			80		24.000 – 25.999 MHz
			60		26.000 – 40.999 MHz
			50		41.000 – 60.000 MHz
Shunt capacitance (C0)			2.0	pF	
Load capacitance (CL)	10			pF	Option "blank"; See options
Drive Level		10	100	μW	
Aging	-2		+2	ppm	@25°C ± 3°C First year
Insulation Resistance	500			MΩ	@100 Vdc ± 15V

Note 1: Operating temperature range option -40°C to +150°C only available in select frequencies and electrical performance options. Please contact Abracon for availability.



5101 Hidden Creek Ln Spicewood TX 78669
 Phone: 512-371-6159 | Fax: 512-351-8858
 For terms and conditions of sales, please visit:
www.abracon.com

REVISED: 06-13-19

ABRACON IS
 ISO9001-2015
 CERTIFIED

Automotive & Industrial Grade Miniature Ceramic Base SMD Crystal



ABM11AIG



2.0 x 1.6 x 0.55 mm
RoHS/RoHS II Compliant
 MSL = N/A: Not Applicable

Options and Part Identification (left blank if standard)

ABM11AIG- [] MHz - [] - [] - [] [] [] - []

Frequency in MHz
 Please specify the frequency in MHz. (e.g. 16.384MHz)

Load Capacitance (pF)
 Blank: 10pF
 If not standard, please specify CL in pF or S for series

Custom ESR if other than standard
 R □: Specify a value in Ω (e.g.: R80)

Packaging
 Blank: Bulk
 T: 1k pcs / reel
 T3: 3k pcs / reel

Operating Temp.
 Blank: -40°C to +125°C
 N: -30°C to +85°C
 D: -40°C to +85°C
 J: -40°C to +105°C
 V: -40°C to +150°C (*)

(*) Contact Abracon for Availability

Freq. Tolerance
 Blank: ± 50 ppm
 4: ± 30 ppm
 3: ± 25 ppm
 2: ± 20 ppm
 7: ± 15 ppm
 1: ± 10 ppm

Freq. Stability
 Blank: ± 100 ppm
 R: ± 150 ppm
 Z: ± 50 ppm
 P: ± 45 ppm (*)
 F: ± 40 ppm (*)
 H: ± 35 ppm (*)
 Y: ± 30 ppm (*)
 W: ± 25 ppm (*)
 X: ± 20 ppm (*)
 G: ± 15 ppm (*)

(*) Contact Abracon for Availability

Automotive & Industrial Grade Miniature Ceramic Base SMD Crystal

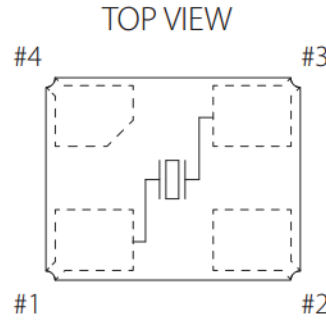
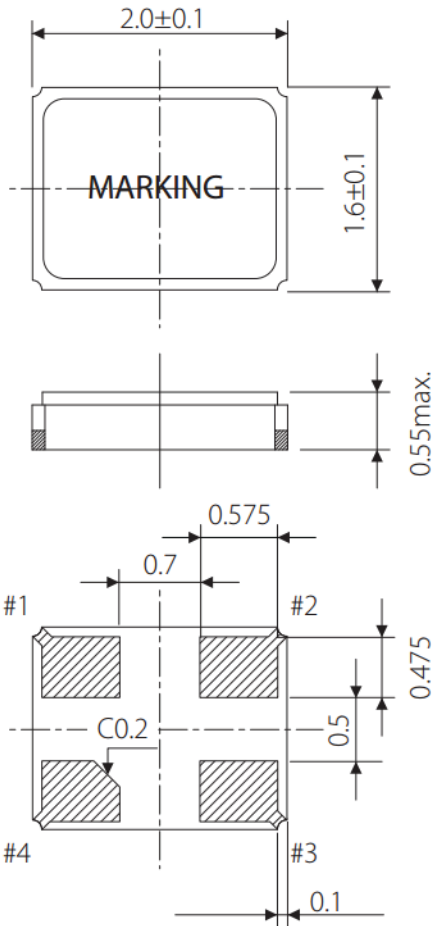


ABM11AIG



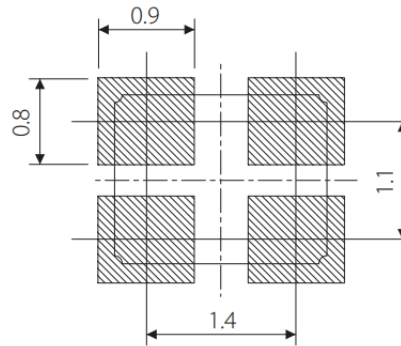
2.0 x 1.6 x 0.55 mm
 RoHS/RoHS II Compliant
 MSL = N/A: Not Applicable

Mechanical Dimensions



Pin #1: Crystal
 Pin #2: GND (*)
 Pin #3: Crystal
 Pin #4: GND (*)
 (*) Electrically connected to lid

Recommended Land Pattern



Note: Due to availability of raw materials, this part may be manufactured with the chamfer on pin 1 or pin 4. Be advised that this does not affect the electrical characteristics of the crystal in any way.

Dimensions: mm

Automotive & Industrial Grade Miniature Ceramic Base SMD Crystal

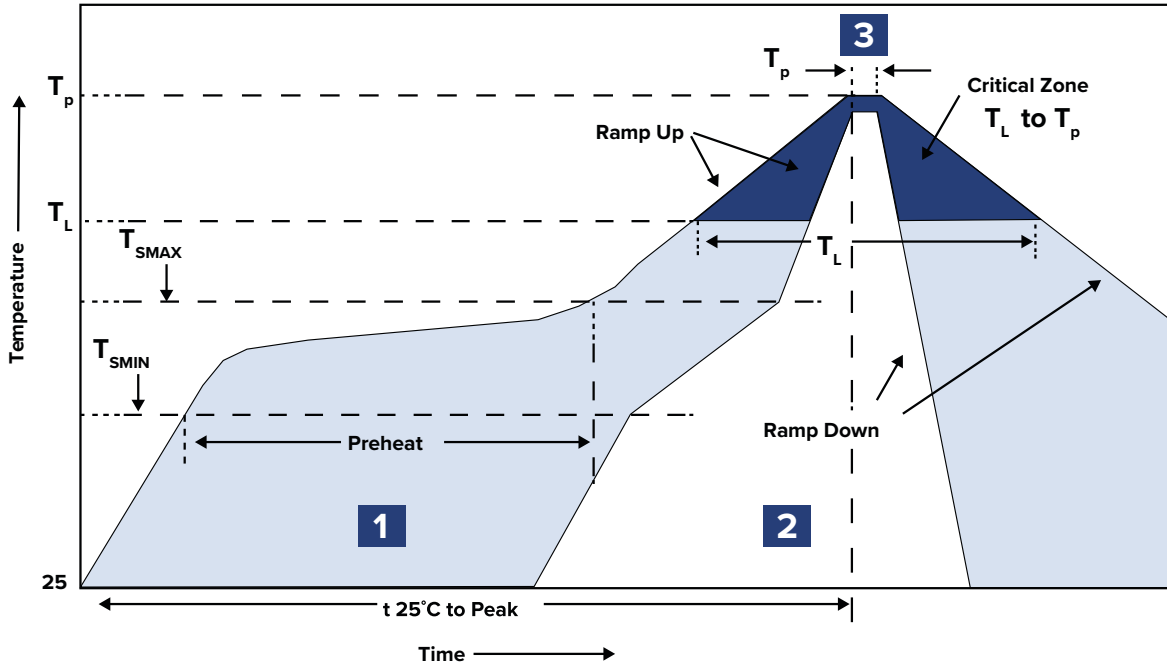


ABM11AIG



2.0 x 1.6 x 0.55 mm
 RoHS/RoHS II Compliant
 MSL = N/A: Not Applicable

Reflow Profile



Zone	Description	Temperature	Time
1	Preheat / Soak	$T_{SMIN} \sim T_{SMAX}$ 150°C ~ 180°C	60 ~ 120 sec.
2	Reflow	T_L 230°C	30 ~ 40 sec.
3	Peak heat	T_P 260°C±5°C	10 sec. MAX

Automotive & Industrial Grade Miniature Ceramic Base SMD Crystal



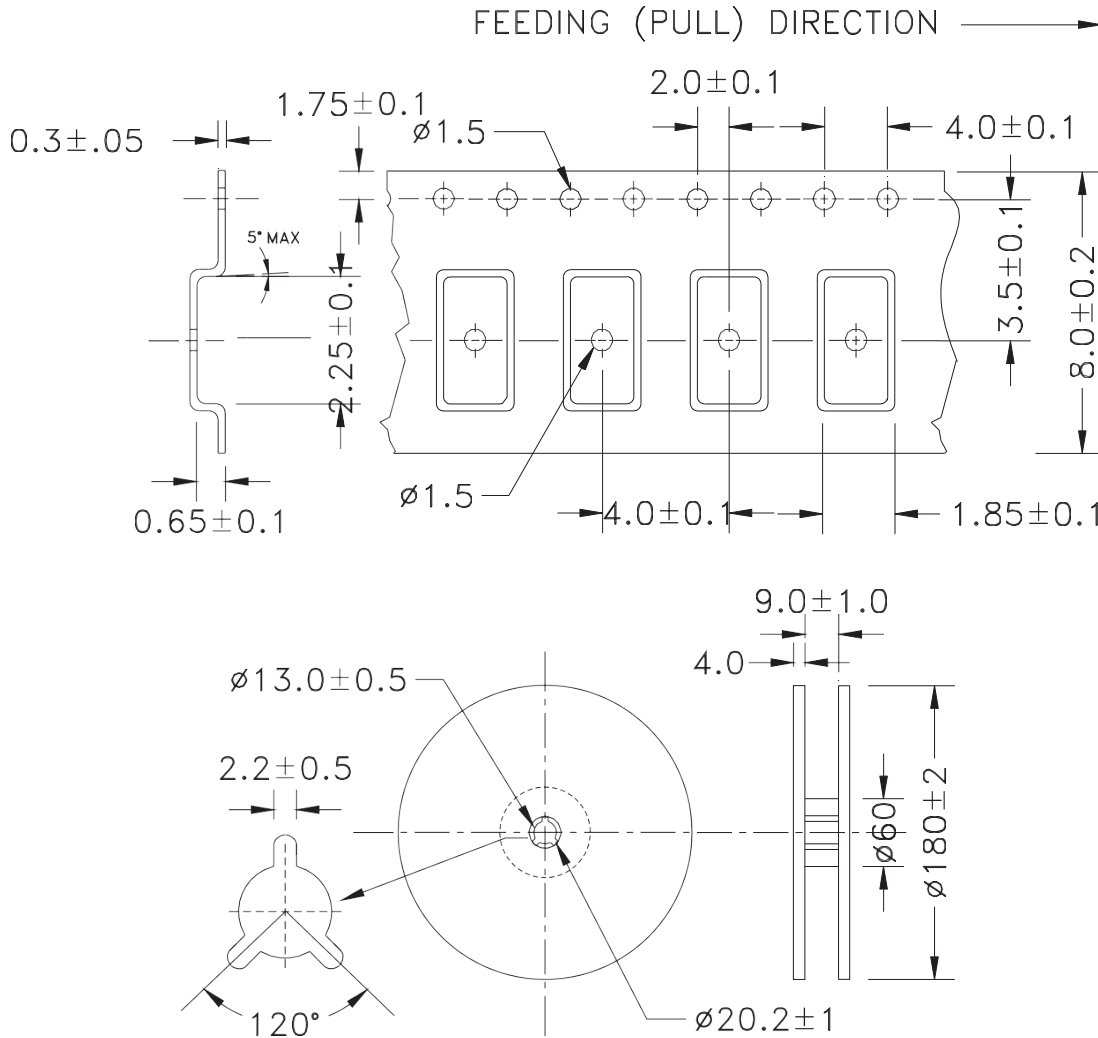
ABM11AIG



2.0 x 1.6 x 0.55 mm
 RoHS/RoHS II Compliant
 MSL = N/A: Not Applicable

Packaging

Tape and Reel:
 T: 1,000pcs/reel
 T3: 3,000pcs/reel



Dimensions: mm

ATTENTION: Abracon LLC's products are COTS – Commercial-Off-The-Shelf products; suitable for Commercial, Industrial and, where designated, Automotive Applications. Abracon's products are not specifically designed for Military, Aviation, Aerospace, Life-dependent Medical applications or any application requiring high reliability where component failure could result in loss of life and/or property. For applications requiring high reliability and/or presenting an extreme operating environment, written consent and authorization from Abracon LLC is required. Please contact Abracon LLC for more information.



5101 Hidden Creek Ln Spicewood TX 78669
 Phone: 512-371-6159 | Fax: 512-351-8858
 For terms and conditions of sales, please visit:
www.abracon.com

REVISED: 06-13-19

ABRACON IS
 ISO9001-2015
 CERTIFIED

OUR CERTIFICATE

DiGi provide top-quality products and perfect service for customer worldwide through standardization, technological innovation and continuous improvement. DiGi through third-party certification, we stricly control the quality of products and services. Welcome your RFQ to

Email: Info@DiGi-Electronics.com



Tel: +00 852-30501935

RFQ Email: Info@DiGi-Electronics.com

DiGi is a global authorized distributor of electronic components.