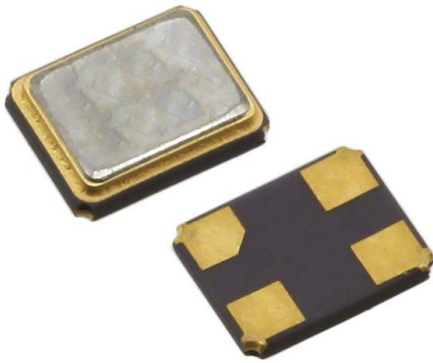


ABM8-22.579MHZ-B2-T Datasheet

www.digi-electronics.com



<https://www.DiGi-Electronics.com>

DiGi Electronics Part Number	ABM8-22.579MHZ-B2-T-DG
Manufacturer	Abracon LLC
Manufacturer Product Number	ABM8-22.579MHZ-B2-T
Description	CRYSTAL 22.5790MHZ 18PF SMD
Detailed Description	22.579 MHz \pm 20ppm Crystal 18pF 50 Ohms 4-SMD, No Lead

This model ABM8-22.579MHZ-B2-T is available at DiGi Electronics.

DiGi Electronics offers a global database of semiconductor and electronic component datasheets.

We welcome your inquiries regarding pricing, lead time, or other product-related questions.

 [Request a Quote](#)

 [Datasheet Search](#)



Tel: +00 852-30501935

RFQ Email: Info@DiGi-Electronics.com

DiGi is a global authorized distributor of electronic components.

Purchase and inquiry

Manufacturer Product Number:

ABM8-22.579MHZ-B2-T

Series:

ABM8

Part Status:

Active

Frequency:

22.579 MHz

Frequency Tolerance:

±20ppm

ESR (Equivalent Series Resistance):

50 Ohms

Operating Temperature:

-20°C ~ 70°C

Mounting Type:

Surface Mount

Size / Dimension:

0.126" L x 0.098" W (3.20mm x 2.50mm)

Manufacturer:

Abracon LLC

Packaging:

Tape & Reel (TR)

Type:

MHz Crystal

Frequency Stability:

±50ppm

Load Capacitance:

18pF

Operating Mode:

Fundamental

Ratings:

-

Package / Case:

4-SMD, No Lead

Height - Seated (Max):

0.031" (0.80mm)

Environmental & Export classification

RoHS Status:

ROHS3 Compliant

REACH Status:

REACH Unaffected

HTSUS:

8541.60.0060

Moisture Sensitivity Level (MSL):

Not Applicable

ECCN:

EAR99

CERAMIC SMD CRYSTAL



ABM8

3.2 x 2.5 x 0.8mm

ABM8

Moisture Sensitivity Level (MSL) – This product is Hermetically Sealed and not Moisture Sensitive-MSL = N/A: Not Applicable



➤ **FEATURES:**

- Seam sealed package assures high reliability
- Tight tolerance and stability available
- Suitable for RoHS reflow

➤ **APPLICATIONS:**

- High density applications
- Modems, communication and test equipment
- PCMCIA, Wireless applications

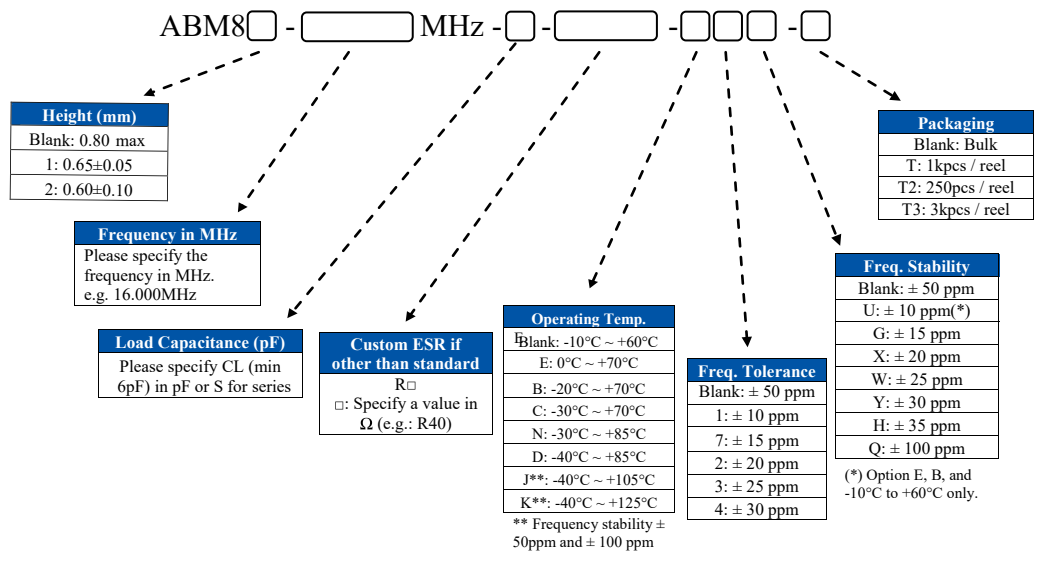
➤ **STANDARD SPECIFICATIONS:**

Parameters	Minimum	Typical	Maximum	Units	Notes
Frequency Range	8.000		125.000*	MHz	Contact Abracon for available F<10MHz
Operation Mode	Fundamental				8MHz - 54MHz
	3rd Overtone (Standard Frequencies: 64, 66, 66.6666, 75, 80, 98.304, 100, 125MHz)				64MHz - 125MHz Please contact Abracon for available frequencies
Operating Temperature	-10		+60	°C	Standard (see options if other than STD)
Storage Temperature	-55		+125	°C	
Frequency Tolerance @+25°C	-50		+50	ppm	Standard (see options if other than STD)
Frequency Stability over the Operating Temperature (ref. to +25°C)	-50		+50	ppm	Standard (see options if other than STD)
Equivalent series resistance (R1)	See table 1 below			Ω	
Shunt capacitance (C0)			3.0	pF	
Load capacitance (CL)		18.0		pF	Standard (See options if other than STD)
Drive Level		10	100	μW	
Aging	-2		+2	ppm	@25°C±3°C First year
Insulation Resistance	500			MΩ	@ 100Vdc ± 15V

TABLE 1- Standard ESR

Frequency (MHz)	ESR(Ω) max	Frequency (MHz)	ESR(Ω) max
8.000-9.999 (Fund)	400	30.000 - 39.999 (Fund)	40
10.000 -11.999 (Fund)	200	40.000 - 54.000 (Fund)	35
12.000 -15.999 (Fund)	120	64.000 - 80.000 (3rd OT)	120
16.000 -19.999 (Fund)	70	98.304 - 125.000 (3rd OT)	80
20.000 - 29.999 (Fund)	50		

➤ **OPTIONS AND PART IDENTIFICATION: (Left blank if standard)**



OUR CERTIFICATE

DiGi provide top-quality products and perfect service for customer worldwide through standardization, technological innovation and continuous improvement. DiGi through third-party certification, we stricly control the quality of products and services. Welcome your RFQ to

Email: Info@DiGi-Electronics.com



Tel: +00 852-30501935

RFQ Email: Info@DiGi-Electronics.com

DiGi is a global authorized distributor of electronic components.