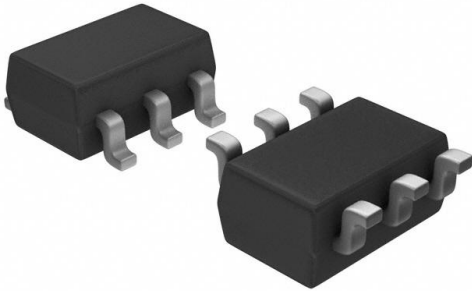


# ABMJB-902-151USY-T3 Datasheet

[www.digi-electronics.com](http://www.digi-electronics.com)



<https://www.DiGi-Electronics.com>

DiGi Electronics Part Number	ABMJB-902-151USY-T3-DG
Manufacturer	<a href="#">Abracon LLC</a>
Manufacturer Product Number	ABMJB-902-151USY-T3
Description	IC MEMS JITTER ATTEN SOT23-6L
Detailed Description	IC 50MHz 1 SOT-23-6



Tel: +00 852-30501935

RFQ Email: [Info@DiGi-Electronics.com](mailto:Info@DiGi-Electronics.com)

DiGi is a global authorized distributor of electronic components.

## Purchase and inquiry

Manufacturer Product Number:

ABMJB-902-151USY-T3

Series:

-

DiGi-Electronics Programmable:

Not Verified

Input:

LVC MOS

Number of Circuits:

1

Differential - Input:Output:

No/No

Divider/Multiplier:

-

Operating Temperature:

-40°C ~ 85°C

Package / Case:

SOT-23-6

Manufacturer:

Abracon LLC

Product Status:

Active

PLL:

No

Output:

LVC MOS

Ratio - Input:Output:

1:1

Frequency - Max:

50MHz

Voltage - Supply:

2.97V ~ 3.63V

Mounting Type:

Surface Mount

Supplier Device Package:

SOT-23-6L

## Environmental & Export classification

RoHS Status:

ROHS3 Compliant

REACH Status:

REACH Unaffected

HTSUS:

8542.39.0001

Moisture Sensitivity Level (MSL):

1 (Unlimited)

ECCN:

EAR99



# Low Power MEMS Jitter Attenuator



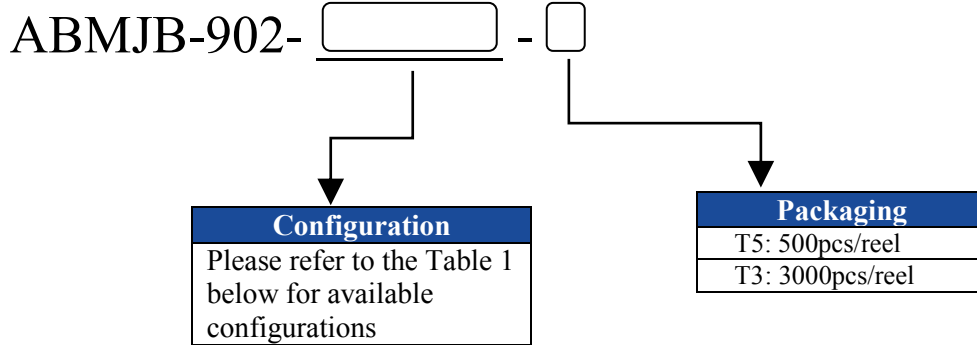
2.9 x 2.8 x 1.45 mm SOT23-6L

ABMJB-902 Part Number & Configuration Guide



Moisture Sensitivity Level: MSL=1

## OPTIONS AND PART IDENTIFICATION:



**Table 1. Available Part Numbers and Configurations**

Abracon P/N	Input Freq. (MHz)	CLK0		CLK1		Optional Pin (CLK2)		Power Supply (V)
		Freq. (MHz)	Drive Strength	Freq. (MHz)	Drive Strength	Freq. (MHz)	Drive Strength	
ABMJB-902-104USY	148.5	148.5	High (16mA)	Disable		Disable		3.3
ABMJB-902-151USY	50	50	Low (4mA)	Disable		Disable		3.3
ABMJB-902-153USY	25	25	Std (8mA)	25	Std (8mA)	25	Std (8mA)	3.3
ABMJB-902-154USY	40	40	Std (8mA)	OE		Disable		3.3
ABMJB-902-155USY	25	25	Std (8mA)	Disable		Disable		3.3
ABMJB-902-156USY	25	25	Std (8mA)	PDB		25	Low (4mA)	3.3
ABMJB-902-Q42USY	10/10	10/5	High (16mA)	PDB		CSEL		3.3
ABMJB-902-Q57USY	40	40	Std (8mA)	40	Std (8mA)	20	Std (8mA)	3.3
ABMJB-902-Q74USY	74.25	74.25	Std (8mA)	74.25	Std (8mA)	74.25	Std (8mA)	3.3
ABMJB-902-Q76USY	1.536	6.144	Std (8mA)	OE		1.536	Std (8mA)	3.3
ABMJB-902-Q78USY	1.536	8.192	Low (4mA)	OE		2.048	Low (4mA)	3.3
ABMJB-902-Q82USY	74.25/74.25	74.25/27	Std (8mA)	74.25/27	Std (8mA)	CSEL		3.3

Notes: Please contact Abracon for other configurations.

# Low Power MEMS Jitter Attenuator



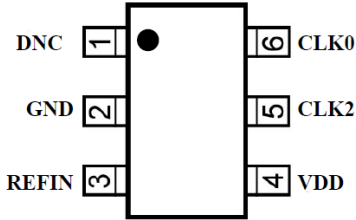
2.9 x 2.8 x 1.45 mm SOT23-6L

ABMJB-902 Part Number & Configuration Guide



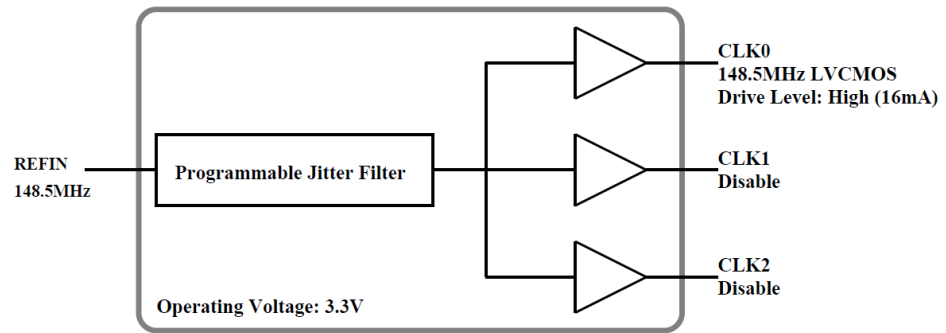
## PIN DESCRIPTION AND BLOCK DIAGRAM

### ABMJB-902-104USY:

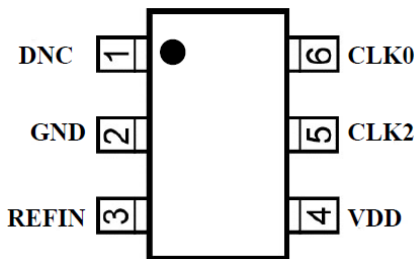


SOT23-6L package

Pin No.	Pin Name	Pin Type	Pin Level	Function
1	DNC			Do not connect
2	GND	GND		Power supply ground
3	REF_IN	I, (SE)	LVC MOS	Reference clock input
4	VDD	PWR		Power supply 3.3V
5	CLK2	O		CLK2 output
6	CLK0	O	LVC MOS	CLK0 output

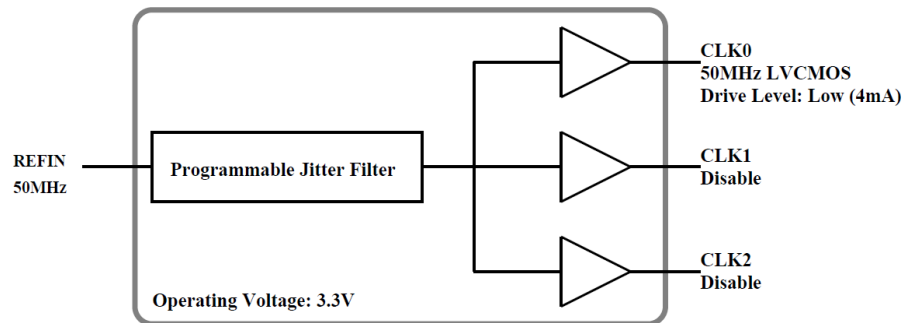


### ABMJB-902-151USY:



SOT23-6L package

Pin No.	Pin Name	Pin Type	Pin Level	Function
1	DNC			Do not connect
2	GND	GND		Power supply ground
3	REF_IN	I, (SE)	LVC MOS	Reference clock input
4	VDD	PWR		Power supply 3.3V
5	CLK2	O		CLK2 output
6	CLK0	O	LVC MOS	CLK0 output



# Low Power MEMS Jitter Attenuator

ABMJB-902-151USY-T3 Abracon LLC IC MEMS JITTER ATTEN SOT23-6L



2.9 x 2.8 x 1.45 mm SOT23-6L

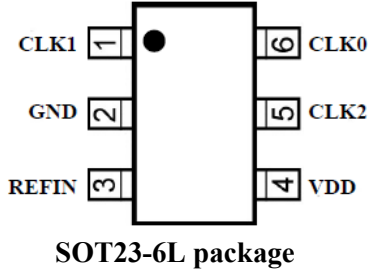
ABMJB-902 Part Number & Configuration Guide



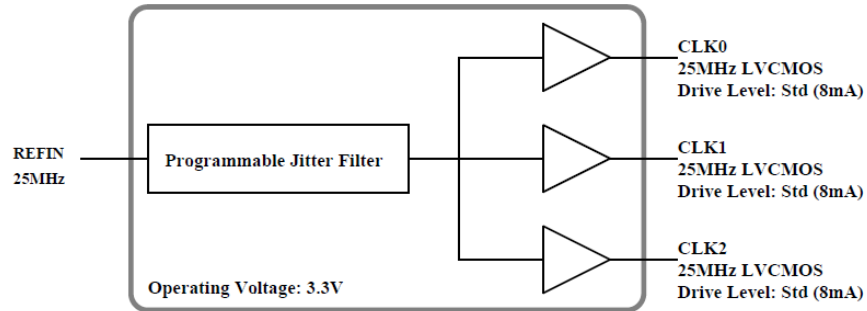
**Pb** RoHS/RoHS II Compliant

## PIN DESCRIPTION AND BLOCK DIAGRAM

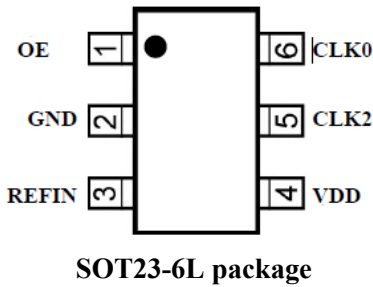
### ABMJB-902-153USY:



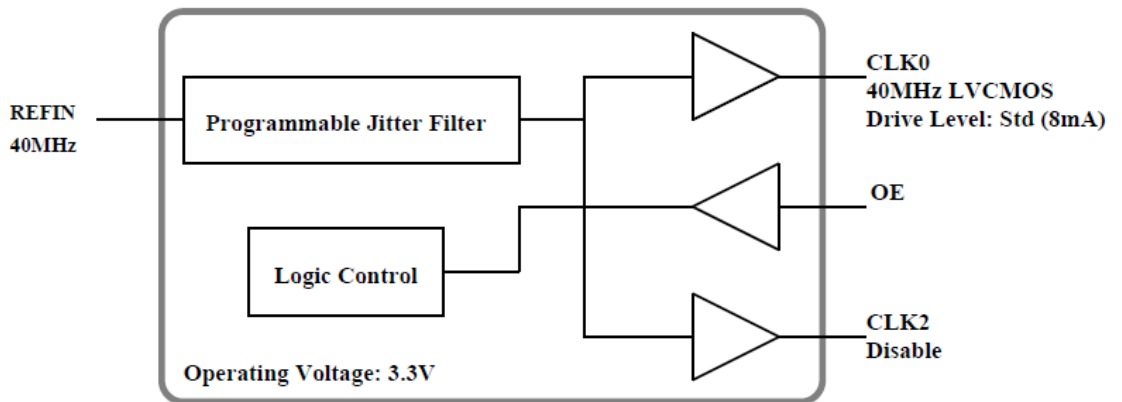
Pin No.	Pin Name	Pin Type	Pin Level	Function
1	CLK1	O	LVC MOS	CLK1 output
2	GND	GND		Power supply ground
3	REF_IN	I, (SE)	LVC MOS	Reference clock input
4	VDD	PWR		Power supply 3.3V
5	CLK2	O	LVC MOS	CLK2 output
6	CLK0	O	LVC MOS	CLK0 output



### ABMJB-902-154USY:



Pin No.	Pin Name	Pin Type	Pin Level	Function
1	OE	I	LVC MOS	Output enable control input with pull-up
2	GND	GND		Power supply ground
3	REF_IN	I, (SE)	LVC MOS	Reference clock input
4	VDD	PWR		Power supply 3.3V
5	CLK2	O	LVC MOS	CLK2 output
6	CLK0	O	LVC MOS	CLK0 output



# Low Power MEMS Jitter Attenuator



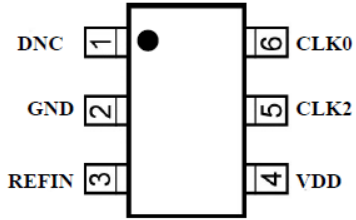
2.9 x 2.8 x 1.45 mm SOT23-6L

ABMJB-902 Part Number & Configuration Guide



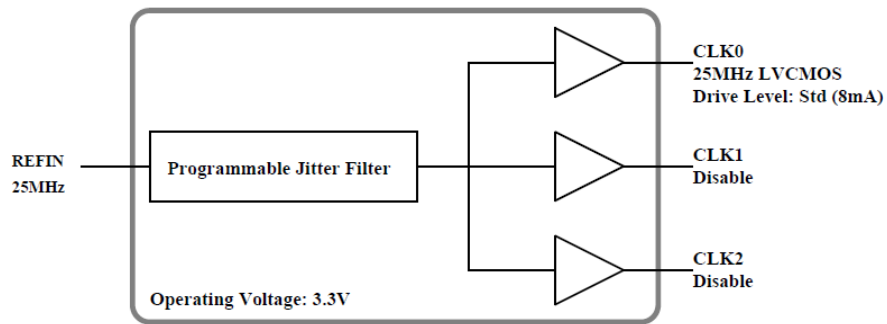
## PIN DESCRIPTION AND BLOCK DIAGRAM

### ABMJB-902-155USY:

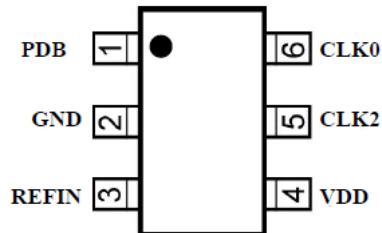


SOT23-6L package

Pin No.	Pin Name	Pin Type	Pin Level	Function
1	DNC			Do not connect
2	GND	GND		Power supply ground
3	REF_IN	I, (SE)	LVC MOS	Reference clock input
4	VDD	PWR		Power supply 3.3V
5	CLK2	O		CLK2 output
6	CLK0	O	LVC MOS	CLK0 output

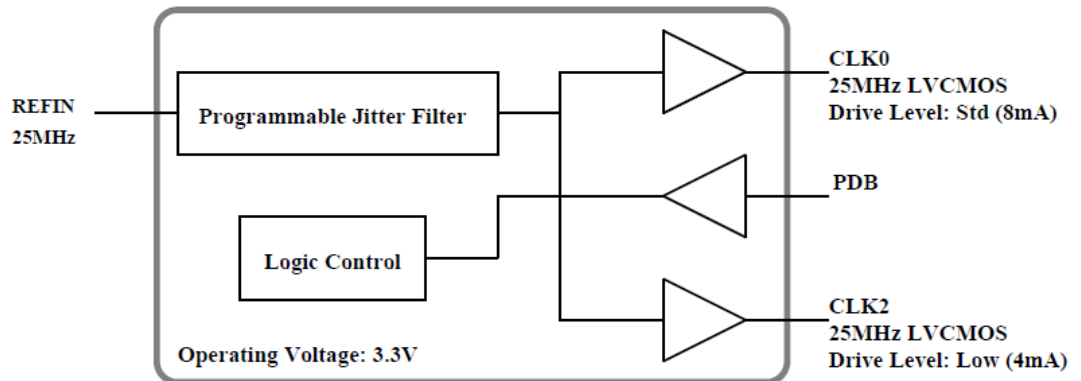


### ABMJB-902-156USY:



SOT23-6L package

Pin No.	Pin Name	Pin Type	Pin Level	Function
1	PDB	I	LVC MOS	Power down
2	GND	GND		Power supply ground
3	REF_IN	I, (SE)	LVC MOS	Reference clock input
4	VDD	PWR		Power supply 3.3V
5	CLK2	O	LVC MOS	CLK2 output
6	CLK0	O	LVC MOS	CLK0 output



# Low Power MEMS Jitter Attenuator



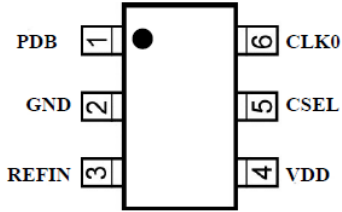
2.9 x 2.8 x 1.45 mm SOT23-6L

ABMJB-902 Part Number & Configuration Guide



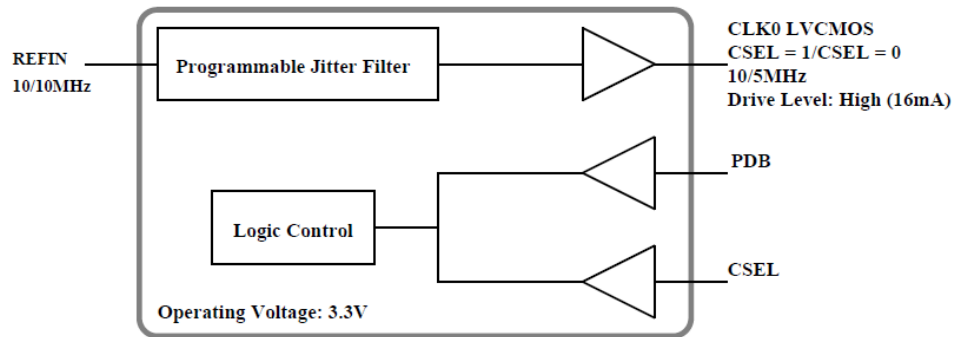
## PIN DESCRIPTION AND BLOCK DIAGRAM

### ABMJB-902-Q42USY:

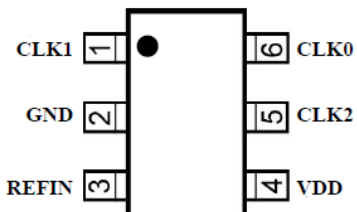


SOT23-6L package

Pin No.	Pin Name	Pin Type	Pin Level	Function
1	PDB	I	LVC MOS	Power down
2	GND	GND		Power supply ground
3	REF_IN	I, (SE)	LVC MOS	Reference clock input
4	VDD	PWR		Power supply 3.3V
5	CSEL	I	LVC MOS	Configuration select control input with pull-up
6	CLK0	O	LVC MOS	CLK0 output

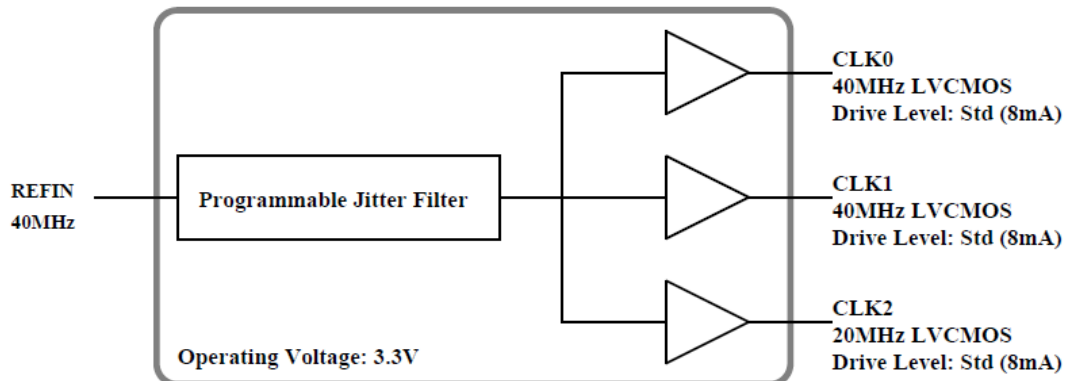


### ABMJB-902-Q57USY



SOT23-6L package

Pin No.	Pin Name	Pin Type	Pin Level	Function
1	CLK1	O	LVC MOS	CLK1 output
2	GND	GND		Power supply ground
3	REF_IN	I, (SE)	LVC MOS	Reference clock input
4	VDD	PWR		Power supply 3.3V
5	CLK2	O	LVC MOS	CLK2 output
6	CLK0	O	LVC MOS	CLK0 output



# Low Power MEMS Jitter Attenuator



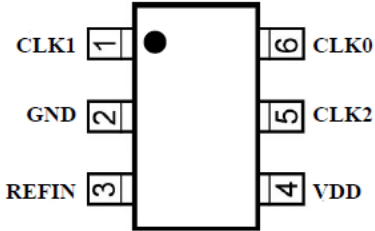
2.9 x 2.8 x 1.45 mm SOT23-6L

ABMJB-902 Part Number & Configuration Guide



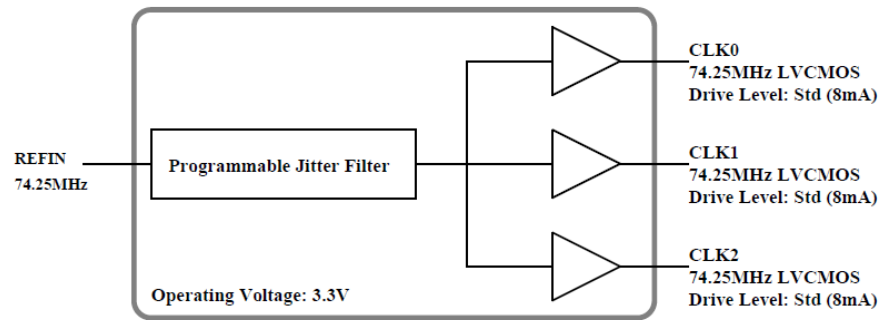
## PIN DESCRIPTION AND BLOCK DIAGRAM

### ABMJB-902-Q74USY:

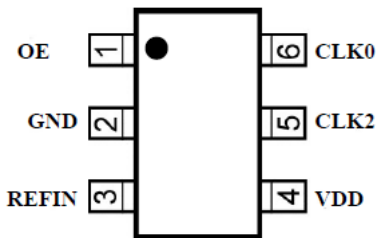


SOT23-6L package

Pin No.	Pin Name	Pin Type	Pin Level	Function
1	CLK1	O	LVCMOS	CLK1 output
2	GND	GND		Power supply ground
3	REF_IN	I, (SE)	LVCMOS	Reference clock input
4	VDD	PWR		Power supply 3.3V
5	CLK2	O	LVCMOS	CLK2 output
6	CLK0	O	LVCMOS	CLK0 output

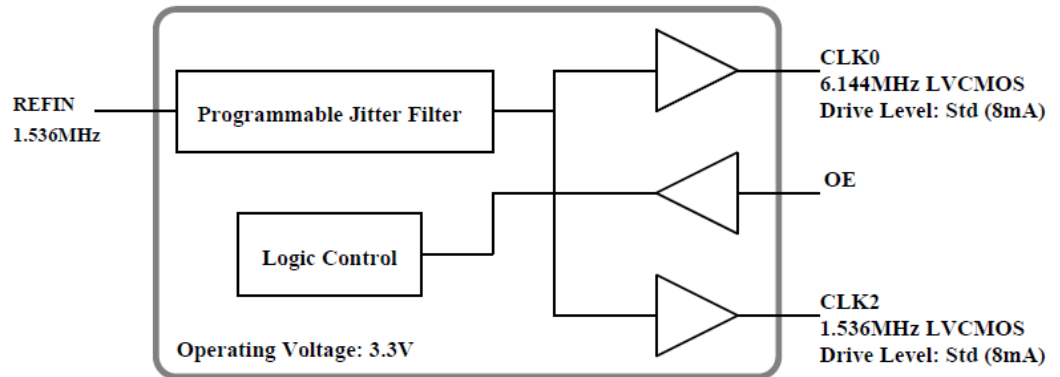


### ABMJB-902-Q76USY:



SOT23-6L package

Pin No.	Pin Name	Pin Type	Pin Level	Function
1	OE	I	LVCMOS	Output enable control input with pull-up
2	GND	GND		Power supply ground
3	REF_IN	I, (SE)	LVCMOS	Reference clock input
4	VDD	PWR		Power supply 3.3V
5	CLK2	O	LVCMOS	CLK2 output
6	CLK0	O	LVCMOS	CLK0 output





# Low Power MEMS Jitter Attenuator



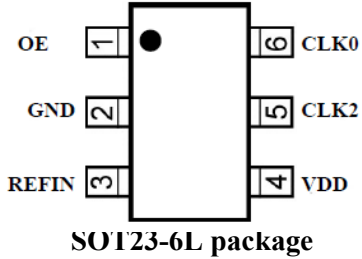
2.9 x 2.8 x 1.45 mm SOT23-6L

ABMJB-902 Part Number & Configuration Guide

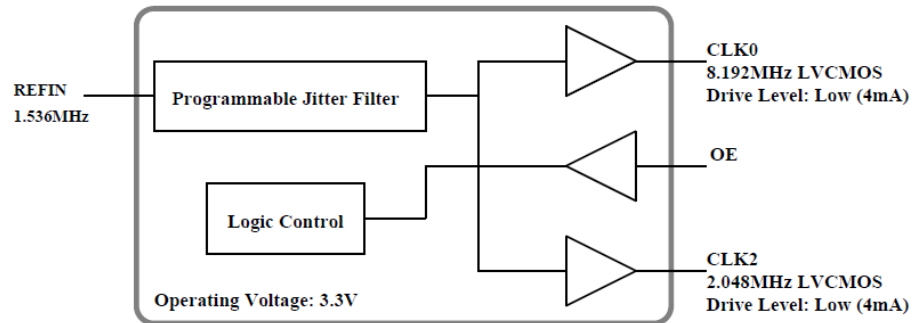


## PIN DESCRIPTION AND BLOCK DIAGRAM

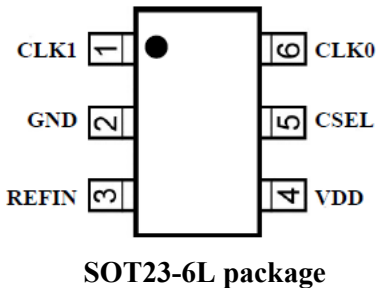
### ABMJB-902-Q78USY:



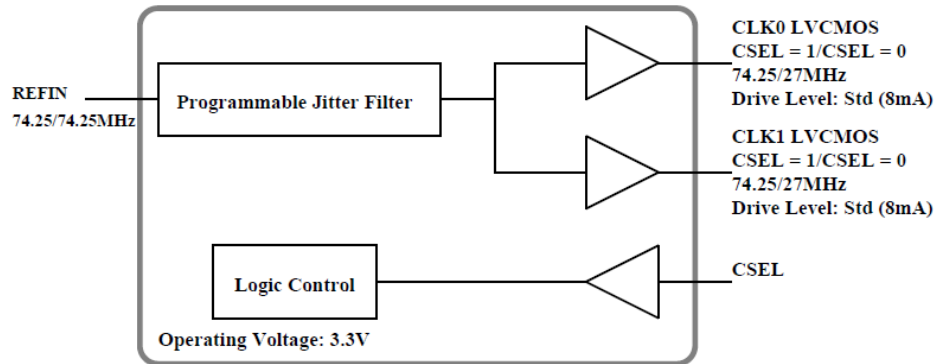
Pin No.	Pin Name	Pin Type	Pin Level	Function
1	OE	I	LVCMOS	Output enable control input with pull-up
2	GND	GND		Power supply ground
3	REF_IN	I, (SE)	LVCMOS	Reference clock input
4	VDD	PWR		Power supply 3.3V
5	CLK2	O	LVCMOS	CLK2 output
6	CLK0	O	LVCMOS	CLK0 output



### ABMJB-902-Q82USY:



Pin No.	Pin Name	Pin Type	Pin Level	Function
1	CLK1	O	LVCMOS	CLK1 output
2	GND	GND		Power supply ground
3	REF_IN	I, (SE)	LVCMOS	Reference clock input
4	VDD	PWR		Power supply 3.3V
5	CSEL	I	LVCMOS	Configuration select control input with pull-up
6	CLK0	O	LVCMOS	CLK0 output



## OUR CERTIFICATE

DiGi provide top-quality products and perfect service for customer worldwide through standardization, technological innovation and continuous improvement. DiGi through third-party certification, we stricly control the quality of products and services. Welcome your RFQ to

Email: [Info@DiGi-Electronics.com](mailto:Info@DiGi-Electronics.com)



Tel: +00 852-30501935

RFQ Email: [Info@DiGi-Electronics.com](mailto:Info@DiGi-Electronics.com)

DiGi is a global authorized distributor of electronic components.