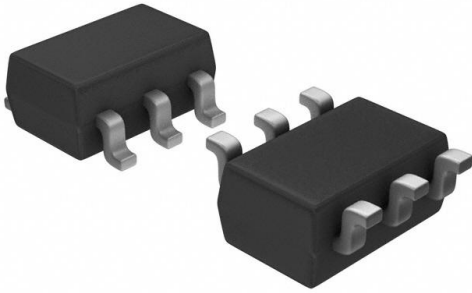


ABMJB-902-Q76USY-T3 Datasheet

www.digi-electronics.com



<https://www.DiGi-Electronics.com>

| | |
|------------------------------|-----------------------------|
| DiGi Electronics Part Number | ABMJB-902-Q76USY-T3-DG |
| Manufacturer | Abracon LLC |
| Manufacturer Product Number | ABMJB-902-Q76USY-T3 |
| Description | IC MEMS JITTER ATTEN LP SMT |
| Detailed Description | IC 6.144Mhz 1 SOT-23-6 |



Tel: +00 852-30501935

RFQ Email: Info@DiGi-Electronics.com

DiGi is a global authorized distributor of electronic components.

Purchase and inquiry

Manufacturer Product Number:

ABMJB-902-Q76USY-T3

Series:

-

DiGi-Electronics Programmable:

Not Verified

Input:

LVC MOS

Number of Circuits:

1

Differential - Input:Output:

No/No

Divider/Multiplier:

-

Operating Temperature:

-40°C ~ 85°C

Package / Case:

SOT-23-6

Manufacturer:

Abracon LLC

Product Status:

Active

PLL:

No

Output:

LVC MOS

Ratio - Input:Output:

1:2

Frequency - Max:

6.144Mhz

Voltage - Supply:

2.97V ~ 3.63V

Mounting Type:

Surface Mount

Supplier Device Package:

SOT-23-6L

Environmental & Export classification

RoHS Status:

ROHS3 Compliant

REACH Status:

REACH Unaffected

HTSUS:

8542.39.0001

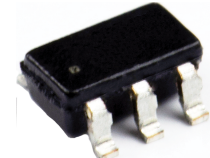
Moisture Sensitivity Level (MSL):

1 (Unlimited)

ECCN:

EAR99

Low Power MEMS Jitter Attenuator



2.9 x 2.8 x 1.45 mm SOT23-6L

ABMJB-902 Part Number & Configuration Guide



Moisture Sensitivity Level: MSL=1

OPTIONS AND PART IDENTIFICATION:

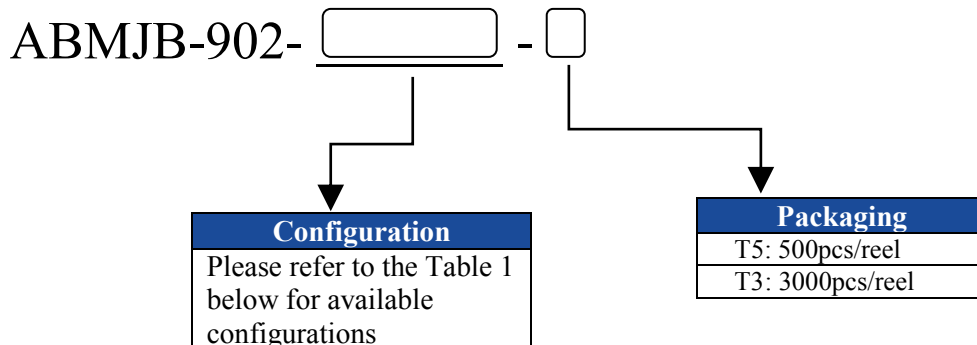
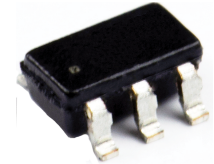


Table 1. Available Part Numbers and Configurations

| Abracon P/N | Input Freq. (MHz) | CLK0 | | CLK1 | | Optional Pin (CLK2) | | Power Supply (V) |
|------------------|-------------------|-------------|----------------|-------------|----------------|---------------------|----------------|------------------|
| | | Freq. (MHz) | Drive Strength | Freq. (MHz) | Drive Strength | Freq. (MHz) | Drive Strength | |
| ABMJB-902-104USY | 148.5 | 148.5 | High (16mA) | Disable | | Disable | | 3.3 |
| ABMJB-902-151USY | 50 | 50 | Low (4mA) | Disable | | Disable | | 3.3 |
| ABMJB-902-153USY | 25 | 25 | Std (8mA) | 25 | Std (8mA) | 25 | Std (8mA) | 3.3 |
| ABMJB-902-154USY | 40 | 40 | Std (8mA) | OE | | Disable | | 3.3 |
| ABMJB-902-155USY | 25 | 25 | Std (8mA) | Disable | | Disable | | 3.3 |
| ABMJB-902-156USY | 25 | 25 | Std (8mA) | PDB | | 25 | Low (4mA) | 3.3 |
| ABMJB-902-Q42USY | 10/10 | 10/5 | High (16mA) | PDB | | CSEL | | 3.3 |
| ABMJB-902-Q57USY | 40 | 40 | Std (8mA) | 40 | Std (8mA) | 20 | Std (8mA) | 3.3 |
| ABMJB-902-Q74USY | 74.25 | 74.25 | Std (8mA) | 74.25 | Std (8mA) | 74.25 | Std (8mA) | 3.3 |
| ABMJB-902-Q76USY | 1.536 | 6.144 | Std (8mA) | OE | | 1.536 | Std (8mA) | 3.3 |
| ABMJB-902-Q78USY | 1.536 | 8.192 | Low (4mA) | OE | | 2.048 | Low (4mA) | 3.3 |
| ABMJB-902-Q82USY | 74.25/74.25 | 74.25/27 | Std (8mA) | 74.25/27 | Std (8mA) | CSEL | | 3.3 |

Notes: Please contact Abracon for other configurations.

Low Power MEMS Jitter Attenuator



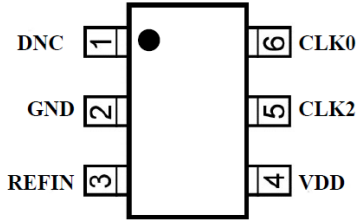
2.9 x 2.8 x 1.45 mm SOT23-6L

ABMJB-902 Part Number & Configuration Guide



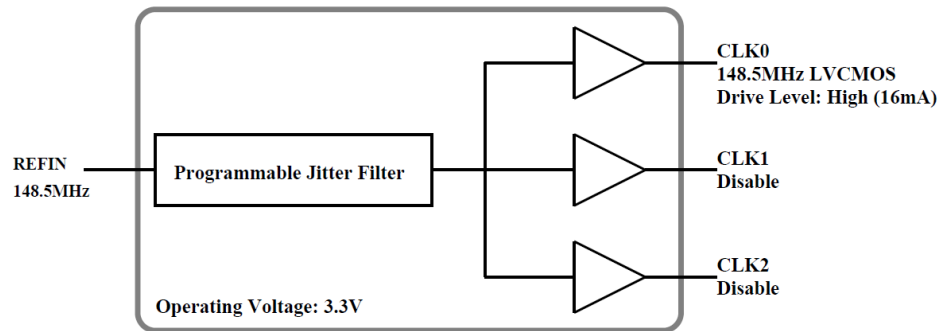
PIN DESCRIPTION AND BLOCK DIAGRAM

ABMJB-902-104USY:

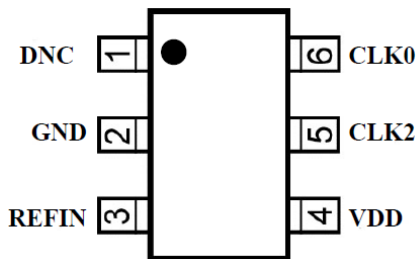


SOT23-6L package

| Pin No. | Pin Name | Pin Type | Pin Level | Function |
|---------|----------|----------|-----------|-----------------------|
| 1 | DNC | | | Do not connect |
| 2 | GND | GND | | Power supply ground |
| 3 | REF_IN | I, (SE) | LVC MOS | Reference clock input |
| 4 | VDD | PWR | | Power supply 3.3V |
| 5 | CLK2 | O | | CLK2 output |
| 6 | CLK0 | O | LVC MOS | CLK0 output |

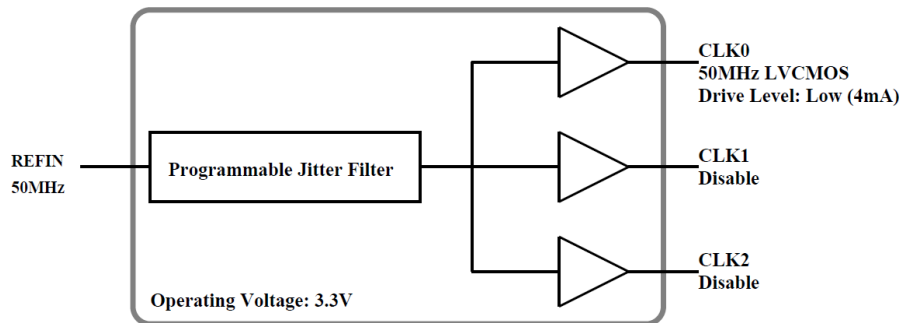


ABMJB-902-151USY:



SOT23-6L package

| Pin No. | Pin Name | Pin Type | Pin Level | Function |
|---------|----------|----------|-----------|-----------------------|
| 1 | DNC | | | Do not connect |
| 2 | GND | GND | | Power supply ground |
| 3 | REF_IN | I, (SE) | LVC MOS | Reference clock input |
| 4 | VDD | PWR | | Power supply 3.3V |
| 5 | CLK2 | O | | CLK2 output |
| 6 | CLK0 | O | LVC MOS | CLK0 output |



Low Power MEMS Jitter Attenuator



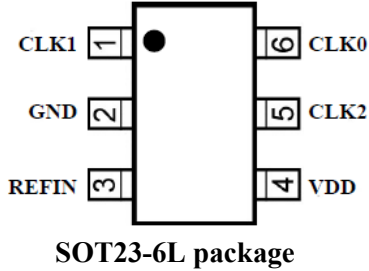
2.9 x 2.8 x 1.45 mm SOT23-6L

ABMJB-902 Part Number & Configuration Guide

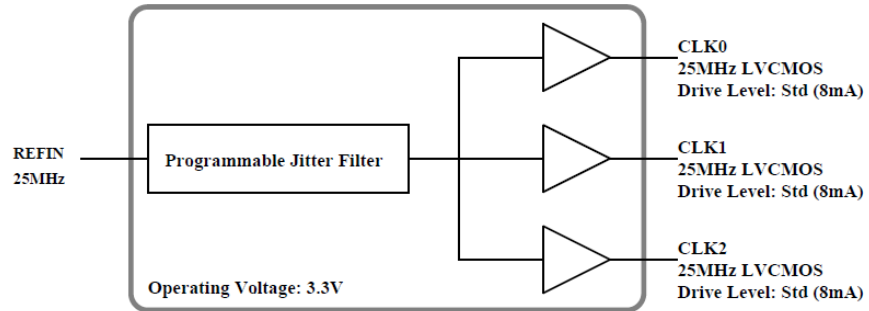


PIN DESCRIPTION AND BLOCK DIAGRAM

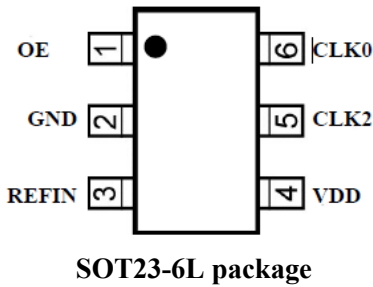
ABMJB-902-153USY:



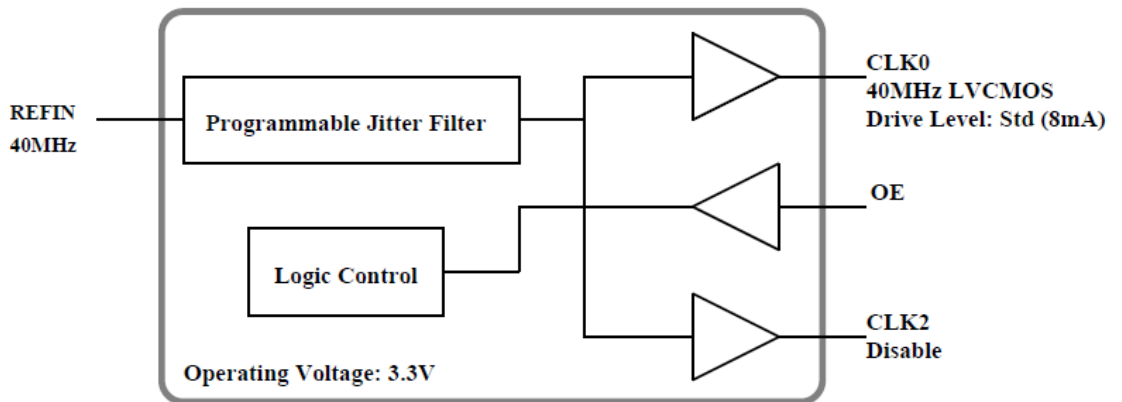
| Pin No. | Pin Name | Pin Type | Pin Level | Function |
|---------|----------|----------|-----------|-----------------------|
| 1 | CLK1 | O | LVC MOS | CLK1 output |
| 2 | GND | GND | | Power supply ground |
| 3 | REF_IN | I, (SE) | LVC MOS | Reference clock input |
| 4 | VDD | PWR | | Power supply 3.3V |
| 5 | CLK2 | O | LVC MOS | CLK2 output |
| 6 | CLK0 | O | LVC MOS | CLK0 output |



ABMJB-902-154USY:



| Pin No. | Pin Name | Pin Type | Pin Level | Function |
|---------|----------|----------|-----------|--|
| 1 | OE | I | LVC MOS | Output enable control input with pull-up |
| 2 | GND | GND | | Power supply ground |
| 3 | REF_IN | I, (SE) | LVC MOS | Reference clock input |
| 4 | VDD | PWR | | Power supply 3.3V |
| 5 | CLK2 | O | LVC MOS | CLK2 output |
| 6 | CLK0 | O | LVC MOS | CLK0 output |



Low Power MEMS Jitter Attenuator

ABMJB-902-Q76USY-T3 Abracon LLC IC MEMS JITTER ATTEN LP SMT



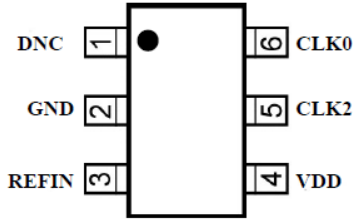
2.9 x 2.8 x 1.45 mm SOT23-6L

ABMJB-902 Part Number & Configuration Guide



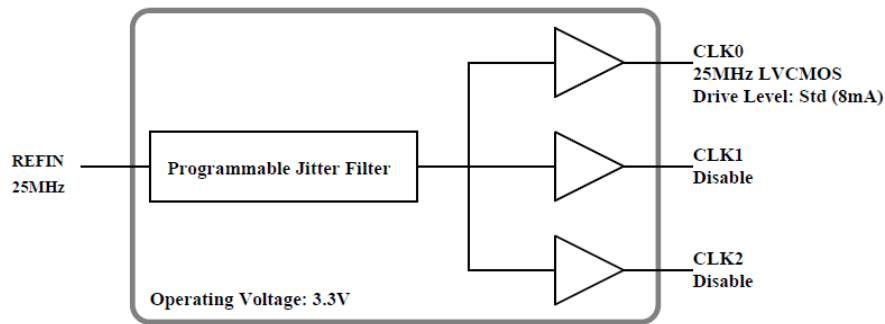
PIN DESCRIPTION AND BLOCK DIAGRAM

ABMJB-902-155USY:

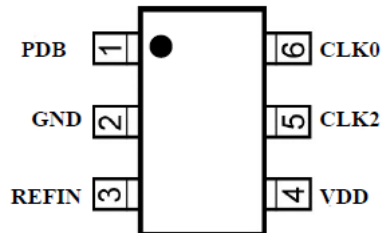


SOT23-6L package

| Pin No. | Pin Name | Pin Type | Pin Level | Function |
|---------|----------|----------|-----------|-----------------------|
| 1 | DNC | | | Do not connect |
| 2 | GND | GND | | Power supply ground |
| 3 | REF_IN | I, (SE) | LVC MOS | Reference clock input |
| 4 | VDD | PWR | | Power supply 3.3V |
| 5 | CLK2 | O | | CLK2 output |
| 6 | CLK0 | O | LVC MOS | CLK0 output |

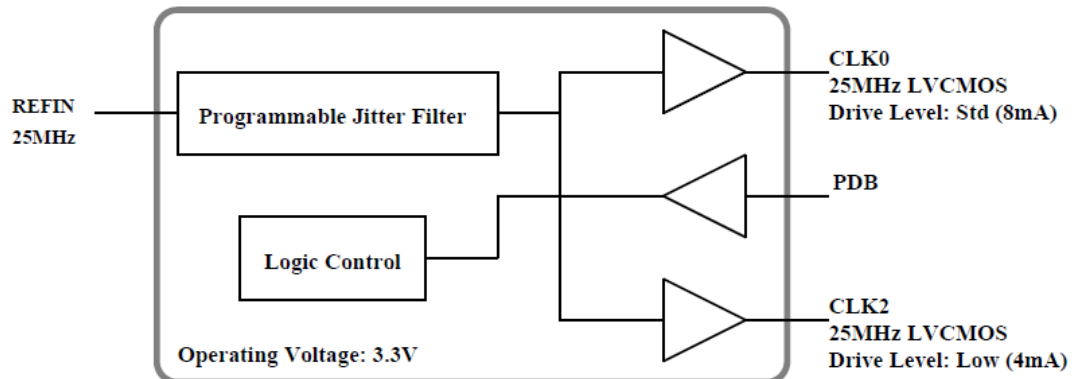


ABMJB-902-156USY:



SOT23-6L package

| Pin No. | Pin Name | Pin Type | Pin Level | Function |
|---------|----------|----------|-----------|-----------------------|
| 1 | PDB | I | LVC MOS | Power down |
| 2 | GND | GND | | Power supply ground |
| 3 | REF_IN | I, (SE) | LVC MOS | Reference clock input |
| 4 | VDD | PWR | | Power supply 3.3V |
| 5 | CLK2 | O | LVC MOS | CLK2 output |
| 6 | CLK0 | O | LVC MOS | CLK0 output |



Low Power MEMS Jitter Attenuator

ABMJB-902-Q76USY-T3 Abracon LLC IC MEMS JITTER ATTEN LP SMT



2.9 x 2.8 x 1.45 mm SOT23-6L

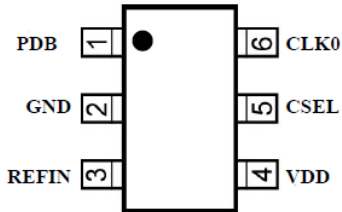
ABMJB-902 Part Number & Configuration Guide



RoHS/RoHS II Compliant

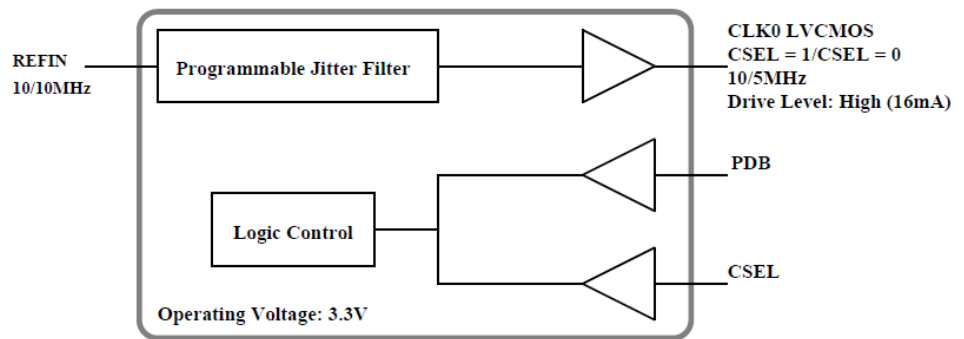
PIN DESCRIPTION AND BLOCK DIAGRAM

ABMJB-902-Q42USY:

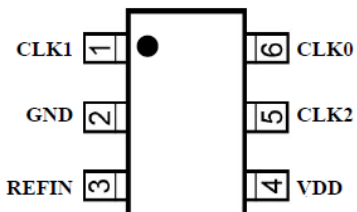


SOT23-6L package

| Pin No. | Pin Name | Pin Type | Pin Level | Function |
|---------|----------|----------|-----------|---|
| 1 | PDB | I | LVC MOS | Power down |
| 2 | GND | GND | | Power supply ground |
| 3 | REF_IN | I, (SE) | LVC MOS | Reference clock input |
| 4 | VDD | PWR | | Power supply 3.3V |
| 5 | CSEL | I | LVC MOS | Configuration select control input with pull-up |
| 6 | CLK0 | O | LVC MOS | CLK0 output |

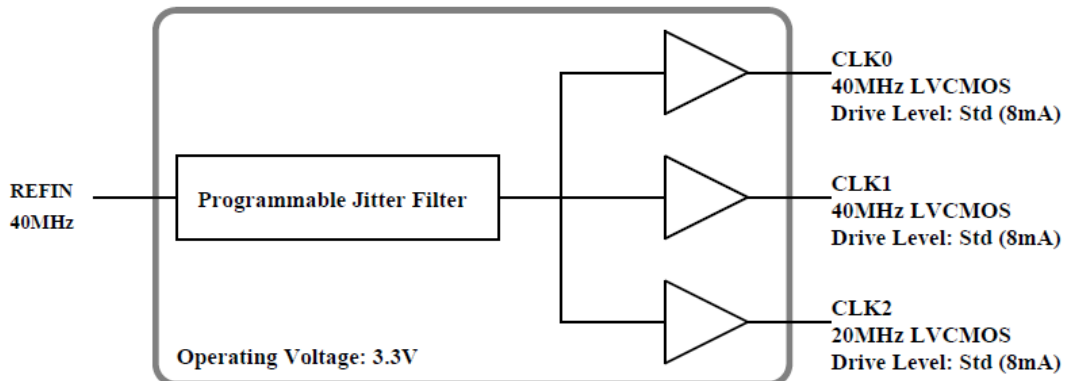


ABMJB-902-Q57USY



SOT23-6L package

| Pin No. | Pin Name | Pin Type | Pin Level | Function |
|---------|----------|----------|-----------|-----------------------|
| 1 | CLK1 | O | LVC MOS | CLK1 output |
| 2 | GND | GND | | Power supply ground |
| 3 | REF_IN | I, (SE) | LVC MOS | Reference clock input |
| 4 | VDD | PWR | | Power supply 3.3V |
| 5 | CLK2 | O | LVC MOS | CLK2 output |
| 6 | CLK0 | O | LVC MOS | CLK0 output |



Low Power MEMS Jitter Attenuator



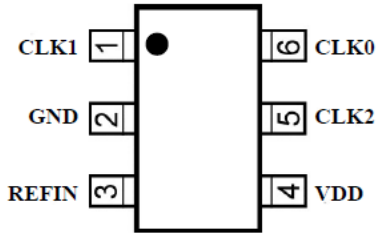
2.9 x 2.8 x 1.45 mm SOT23-6L

ABMJB-902 Part Number & Configuration Guide



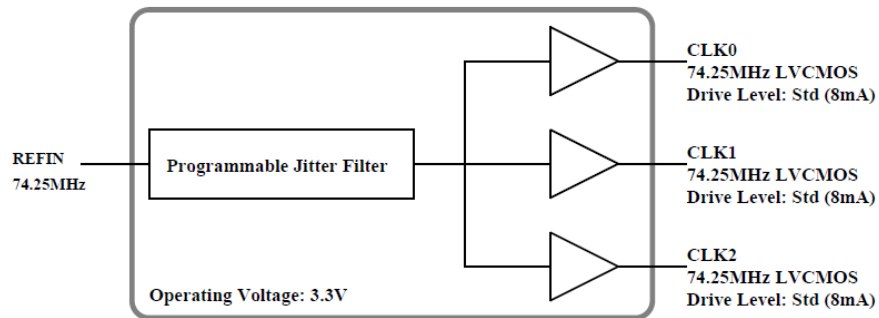
PIN DESCRIPTION AND BLOCK DIAGRAM

ABMJB-902-Q74USY:

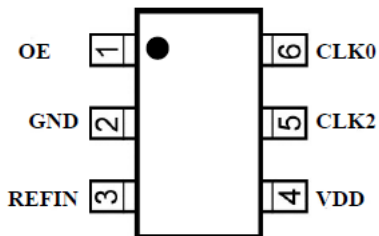


SOT23-6L package

| Pin No. | Pin Name | Pin Type | Pin Level | Function |
|---------|----------|----------|-----------|-----------------------|
| 1 | CLK1 | O | LVC MOS | CLK1 output |
| 2 | GND | GND | | Power supply ground |
| 3 | REF_IN | I, (SE) | LVC MOS | Reference clock input |
| 4 | VDD | PWR | | Power supply 3.3V |
| 5 | CLK2 | O | LVC MOS | CLK2 output |
| 6 | CLK0 | O | LVC MOS | CLK0 output |

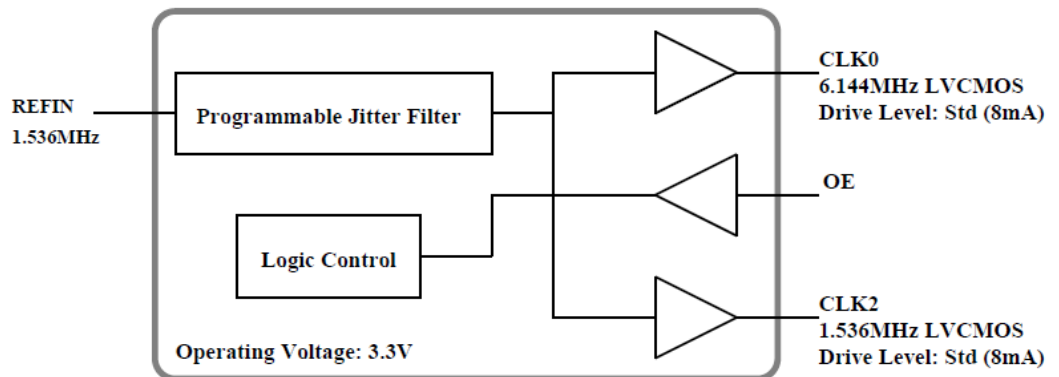


ABMJB-902-Q76USY:



SOT23-6L package

| Pin No. | Pin Name | Pin Type | Pin Level | Function |
|---------|----------|----------|-----------|--|
| 1 | OE | I | LVC MOS | Output enable control input with pull-up |
| 2 | GND | GND | | Power supply ground |
| 3 | REF_IN | I, (SE) | LVC MOS | Reference clock input |
| 4 | VDD | PWR | | Power supply 3.3V |
| 5 | CLK2 | O | LVC MOS | CLK2 output |
| 6 | CLK0 | O | LVC MOS | CLK0 output |



Low Power MEMS Jitter Attenuator



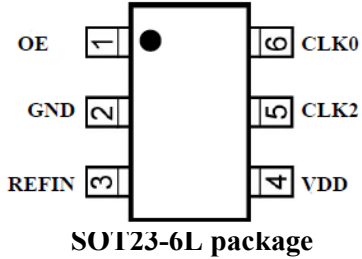
2.9 x 2.8 x 1.45 mm SOT23-6L

ABMJB-902 Part Number & Configuration Guide

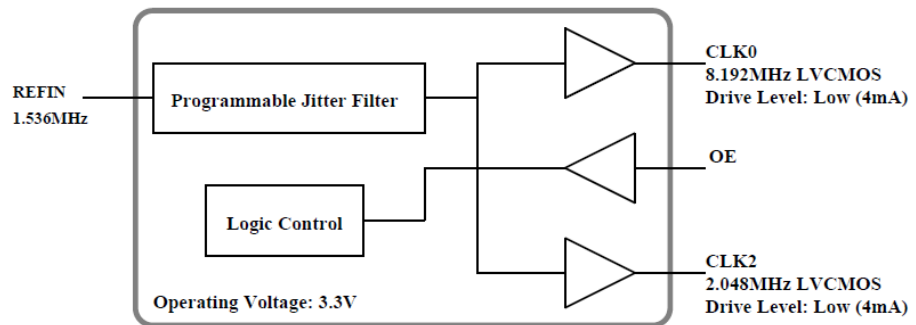


PIN DESCRIPTION AND BLOCK DIAGRAM

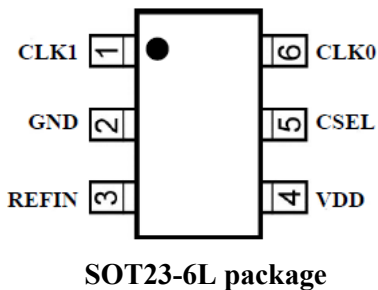
ABMJB-902-Q78USY:



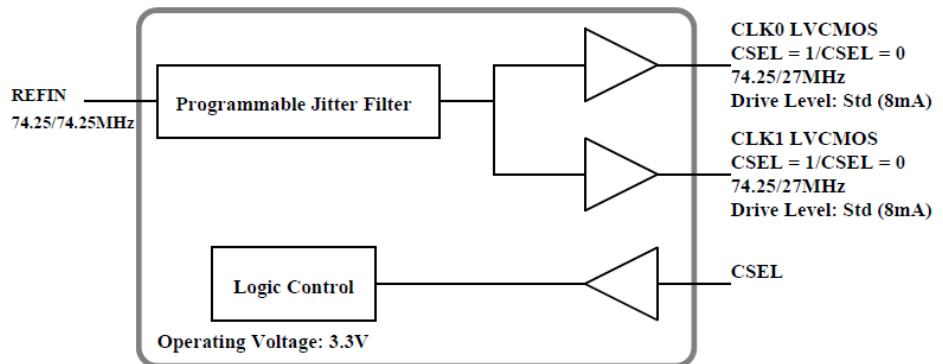
| Pin No. | Pin Name | Pin Type | Pin Level | Function |
|---------|----------|----------|-----------|--|
| 1 | OE | I | LVC MOS | Output enable control input with pull-up |
| 2 | GND | GND | | Power supply ground |
| 3 | REF_IN | I, (SE) | LVC MOS | Reference clock input |
| 4 | VDD | PWR | | Power supply 3.3V |
| 5 | CLK2 | O | LVC MOS | CLK2 output |
| 6 | CLK0 | O | LVC MOS | CLK0 output |



ABMJB-902-Q82USY:



| Pin No. | Pin Name | Pin Type | Pin Level | Function |
|---------|----------|----------|-----------|---|
| 1 | CLK1 | O | LVC MOS | CLK1 output |
| 2 | GND | GND | | Power supply ground |
| 3 | REF_IN | I, (SE) | LVC MOS | Reference clock input |
| 4 | VDD | PWR | | Power supply 3.3V |
| 5 | CSEL | I | LVC MOS | Configuration select control input with pull-up |
| 6 | CLK0 | O | LVC MOS | CLK0 output |



OUR CERTIFICATE

DiGi provide top-quality products and perfect service for customer worldwide through standardization, technological innovation and continuous improvement. DiGi through third-party certification, we stricly control the quality of products and services. Welcome your RFQ to

Email: Info@DiGi-Electronics.com



Tel: +00 852-30501935

RFQ Email: Info@DiGi-Electronics.com

DiGi is a global authorized distributor of electronic components.