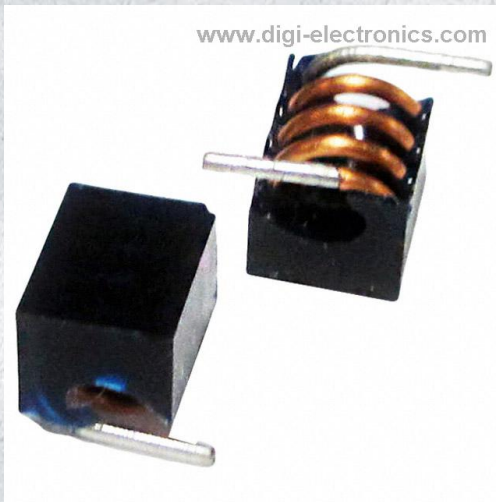


AIAC-1812-56NJ-T Datasheet



<https://www.DiGi-Electronics.com>

DiGi Electronics Part Number	AIAC-1812-56NJ-T-DG
Manufacturer	Abracon LLC
Manufacturer Product Number	AIAC-1812-56NJ-T
Description	FIXED IND 56NH 2.9A 6.4 MOHM SMD
Detailed Description	56 nH Unshielded Wirewound Inductor 2.9 A 6.4mOhm Max Nonstandard



Tel: +00 852-30501935

RFQ Email: Info@DiGi-Electronics.com

DiGi is a global authorized distributor of electronic components.

Purchase and inquiry

Manufacturer Product Number:

AIAC-1812-56NJ-T

Series:

AIAC-1812

Type:

Wirewound

Inductance:

56 nH

Current Rating (Amps):

2.9 A

Shielding:

Unshielded

Q @ Freq:

100 @ 150MHz

Ratings:

-

Inductance Frequency - Test:

150 MHz

Package / Case:

Nonstandard

Size / Dimension:

0.185" L x 0.138" W (4.70mm x 3.50mm)

Manufacturer:

Abracon LLC

Product Status:

Active

Material - Core:

Air

Tolerance:

±5%

Current - Saturation (Isat):

-

DC Resistance (DCR):

6.4mOhm Max

Frequency - Self Resonant:

1.5GHz

Operating Temperature:

-40°C ~ 125°C

Mounting Type:

Surface Mount

Supplier Device Package:

-

Height - Seated (Max):

0.146" (3.70mm)

Environmental & Export classification

RoHS Status:

ROHS3 Compliant

REACH Status:

REACH Unaffected

HTSUS:

8504.50.8000

Moisture Sensitivity Level (MSL):

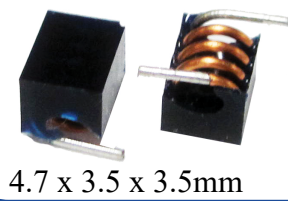
1 (Unlimited)

ECCN:

EAR99

SMT Air Coil Inductor

AIAC-1812

RoHS
Compliant


4.7 x 3.5 x 3.5mm

FEATURES:

- High current design
- Wide Range Frequency Response
- Excellent Q & SRF
- Standard flat cap top suitable for automatic placement.

APPLICATIONS:

- Widely used in Cordless Phones, High Frequency Communication Equipments, Intercom, CATV,RFID
- Suitable for metal sensors and proximity sensors
- Noise suppression for RF power supply/bias
- I/O filtering, frequency selection for audio devices such as Loudspeakers,Hifi
- Impedance Matching for transceivers
- Improves switch isolation for RF circuit

STANDARD SPECIFICATIONS:

PARAMETERS	
ABRACON P/N:	AIAC-1812
Operating temperature:	-40 °C ~ +125 °C
Storage temperature:	-25°C to + 60°C

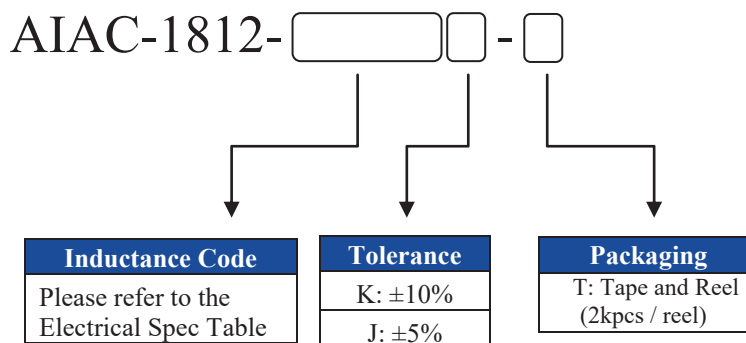
Part Number	Inductance	Tolerance	DCR (Max)	Q(Min)	SRF(Min)	Rated Current (Max)	Inductance Code
Units	nH	%	mΩ		G Hz	A	
Symbol	L	J, K	DCR			IDC	
AIAC-1812-22N	22	K	4.8	100.0	3.20	3.2	22NK
AIAC-1812-27N	27	K	4.6	100.0	2.70	3.5	27NK
AIAC-1812-33N	33	K	5.9	100.0	2.50	3.0	33NK
AIAC-1812-39N	39	J	5.6	100.0	2.10	2.8	39NJ
AIAC-1812-47N	47	J	6.9	100.0	2.10	2.8	47NJ
AIAC-1812-56N	56	J	6.4	100.0	1.50	2.9	56NJ
AIAC-1812-68N	68	J	8.1	100.0	1.50	2.9	68NJ
AIAC-1812-82N	82	J	8.9	100.0	1.30	2.6	82NJ
AIAC-1812-R10	100	J	10.0	100.0	1.20	2.5	R10J
AIAC-1812-R12	120	J	11.1	100.0	1.10	2.2	R12J

Test Conditions and equipments

Test frequency: 150MHz

Equipment: HP4191A

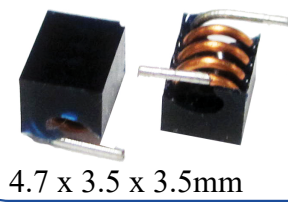
PART IDENTIFICATION:



SMT Air Coil Inductor

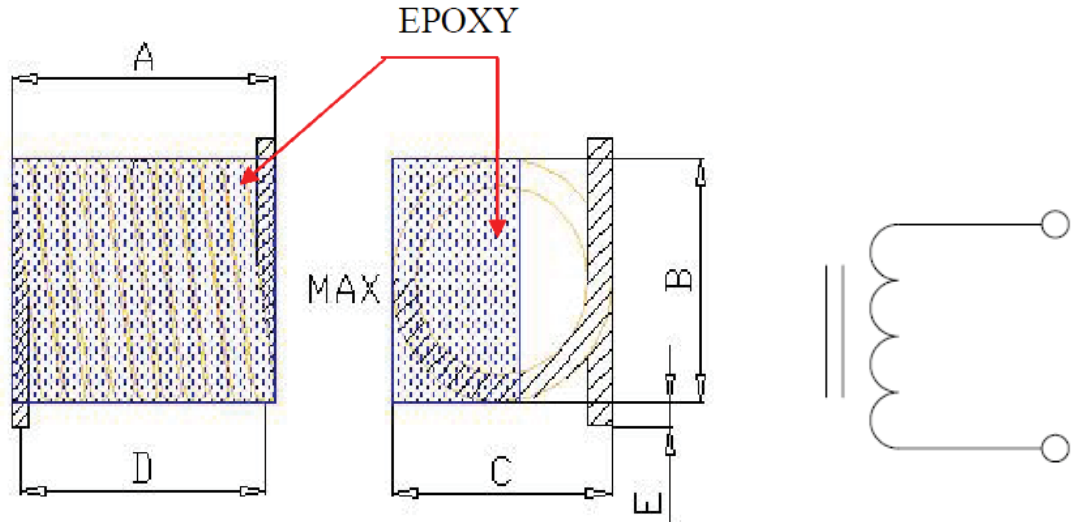
AIAC-1812

RoHS
Compliant



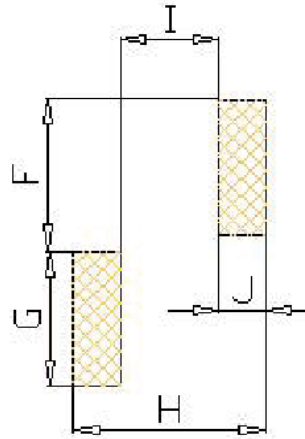
4.7 x 3.5 x 3.5mm

OUTLINE DRAWING:



Inductance code	A	B	C	D	E
All others	4.7±0.3	3.5±0.2	3.5±0.2	4.3±0.4	1.0±0.3
R12J only	4.9±0.3	3.8±0.2	3.8±0.2		

Recommended Landing Pattern

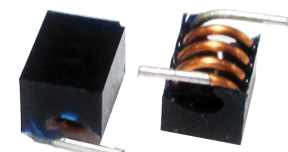


F	G	H	I	J
2.7	5.2	5.8	2.9	1.5

Dimension: inch (mm)

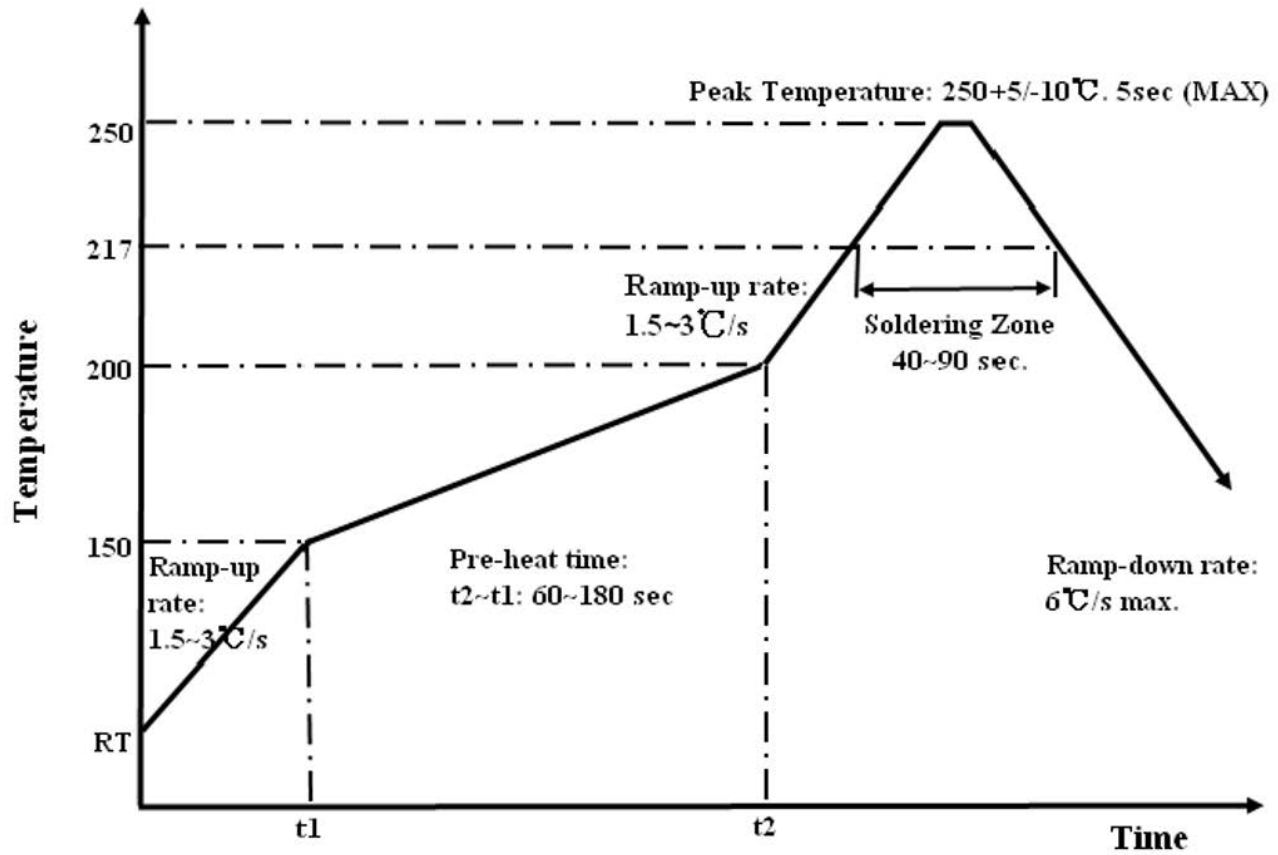
SMT Air Coil Inductor

AIAC-1812

RoHS
Compliant


4.7 x 3.5 x 3.5mm

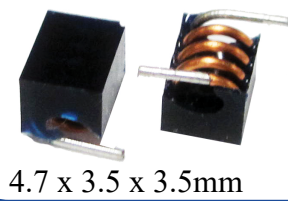
REFLOW PROFILE:



SMT Air Coil Inductor

AIAC-1812

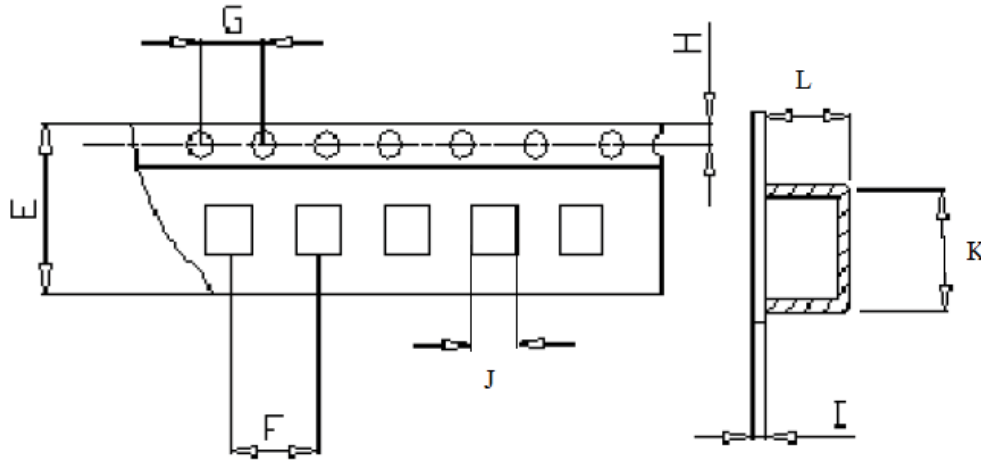
RoHS
Compliant



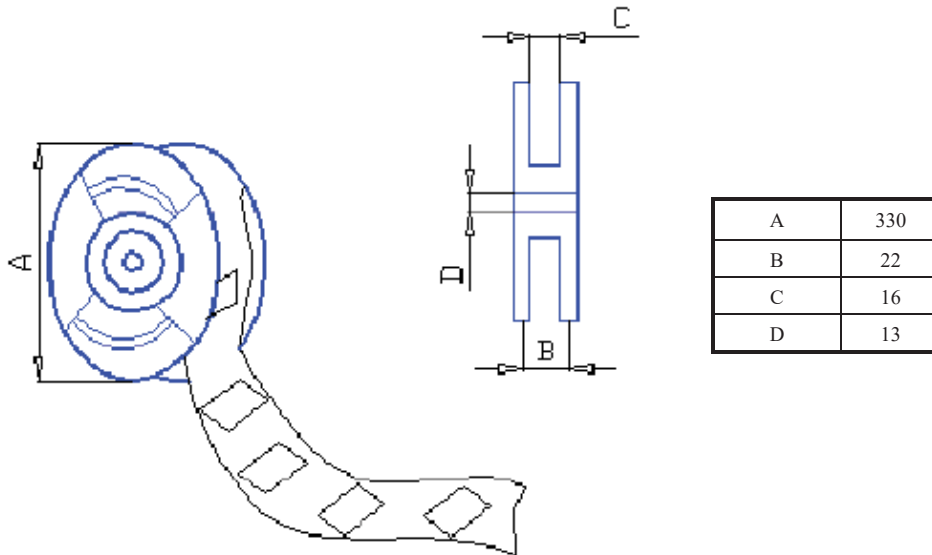
4.7 x 3.5 x 3.5mm

TAPE & REEL:

Packing
T: 2Kpcs / reel



E	F	G	H	I	J max	K max	L max
16	8	4	1.75	0.4	5.70±0.1	7.10±0.1	4.20±0.1



A	330
B	22
C	16
D	13

Dimension: mm

ATTENTION: Abracon Corporation's products are COTS – Commercial-Off-The-Shelf products; suitable for Commercial, Industrial and, where designated, Automotive Applications. Abracon's products are not specifically designed for Military, Aviation, Aerospace, Life-dependant Medical applications or any application requiring high reliability where component failure could result in loss of life and/or property. For applications requiring high reliability and/or presenting an extreme operating environment, written consent and authorization from Abracon Corporation is required. Please contact Abracon Corporation for more information.

OUR CERTIFICATE

DiGi provide top-quality products and perfect service for customer worldwide through standardization, technological innovation and continuous improvement. DiGi through third-party certification, we stricly control the quality of products and services. Welcome your RFQ to

Email: Info@DiGi-Electronics.com



Tel: +00 852-30501935

RFQ Email: Info@DiGi-Electronics.com

DiGi is a global authorized distributor of electronic components.