

AICC-02-561K-T Datasheet



DiGi Electronics Part Number	AICC-02-561K-T-DG
Manufacturer	Abracon LLC
Manufacturer Product Number	AICC-02-561K-T
Description	IND 560UH 0.085A 23000M
Detailed Description	560 μ H Unshielded Drum Core, Wirewound Inductor 85 mA 230 Ω m Max Axial

<https://www.DiGi-Electronics.com>



Tel: +00 852-30501935

RFQ Email: Info@DiGi-Electronics.com

DiGi is a global authorized distributor of electronic components.

Purchase and inquiry

Manufacturer Product Number:

AICC-02-561K-T

Series:

AICC-02

Type:

Drum Core, Wirewound

Inductance:

560 μ H

Current Rating (Amps):

85 mA

Shielding:

Unshielded

Q @ Freq:

60 @ 796kHz

Ratings:

-

Inductance Frequency - Test:

796 kHz

Mounting Type:

Through Hole

Supplier Device Package:

Axial

Height - Seated (Max):

-

Manufacturer:

Abracon LLC

Product Status:

Active

Material - Core:

Ferrite

Tolerance:

\pm 10%

Current - Saturation (Isat):

-

DC Resistance (DCR):

230hm Max

Frequency - Self Resonant:

2.3MHz

Operating Temperature:

-25°C ~ 105°C

Features:

-

Package / Case:

Axial

Size / Dimension:

0.110" Dia x 0.245" L (2.80mm x 6.22mm)

Environmental & Export classification

RoHS Status:

ROHS3 Compliant

REACH Status:

REACH Unaffected

HTSUS:

8504.50.4000

Moisture Sensitivity Level (MSL):

Not Applicable

ECCN:

EAR99

Conformal Coated Axial Inductor

AICC-02



RoHS/RoHS II Compliant

6.22 x ϕ 2.8 mm

FEATURES:

- Ferrite core with Epoxy resin
- High current rating
- RoHS compliant

APPLICATIONS:

- DC/DC converters
- Power supplies
- Electronic appliance
- Automotive system

STANDARD SPECIFICATIONS:

PARAMETERS	
ABRACON P/N:	AICC-02
Operating temperature:	-25°C ~ +105 °C
Storage temperature:	-40°C to + 125°C

Part No. AICC-02-Inductance Code	L(μ H)	Tolerance	Q (min)	L, Q Test Freq.	SRF(MHz)	DCR(Ω)	I _{DC} (mA)
		(%)		(MHz)			
AICC-02-R27	0.27	M	40	25.2	360	0.08	1110
AICC-02-R33	0.33	M	40	25.2	350	0.08	1110
AICC-02-R39	0.39	M	40	25.2	320	0.09	1000
AICC-02-R47	0.47	M	40	25.2	300	0.10	1000
AICC-02-R56	0.56	M	40	25.2	280	0.11	950
AICC-02-R68	0.68	M	40	25.2	250	0.12	900
AICC-02-R82	0.82	M	40	25.2	200	0.12	900
AICC-02-1R0	1.0	M	40	25.2	180	0.15	815
AICC-02-1R2	1.2	M	40	7.96	165	0.18	740
AICC-02-1R5	1.5	M	45	7.96	150	0.20	700
AICC-02-1R8	1.8	M	50	7.96	125	0.23	655
AICC-02-2R2	2.2	M	50	7.96	110	0.25	630
AICC-02-2R7	2.7	M	50	7.96	96	0.28	595
AICC-02-3R3	3.3	M	50	7.96	70	0.30	575
AICC-02-3R9	3.9	M	45	7.96	65	0.32	555
AICC-02-4R7	4.7	M	45	7.96	50	0.35	560
AICC-02-5R6	5.6	M	45	7.96	40	0.40	500
AICC-02-6R8	6.8	M	40	7.96	30	0.45	470
AICC-02-8R2	8.2	M	40	7.96	28	0.72	425
AICC-02-100	10	K	40	7.96	22	0.80	370
AICC-02-120	12	K	45	2.52	20	0.88	350
AICC-02-150	15	K	40	2.52	16	1.00	335
AICC-02-180	18	K	50	2.52	15	1.20	315
AICC-02-220	22	K	50	2.52	13	1.35	285
AICC-02-270	27	K	50	2.52	11	1.50	270
AICC-02-330	33	K	50	2.52	10	1.70	255
AICC-02-390	39	K	50	2.52	9.5	2.30	240
AICC-02-470	47	K	60	2.52	8.5	2.60	205
AICC-02-560	56	K	60	2.52	7.5	2.90	195
AICC-02-680	68	K	60	2.52	6.5	3.20	185
AICC-02-820	82	K	60	2.52	6.0	3.50	175
AICC-02-101	100	K	60	2.52	5.5	3.80	165
AICC-02-121	120	K	60	0.796	5.4	4.40	160
AICC-02-151	150	K	60	0.796	4.7	5.00	150
AICC-02-181	180	K	60	0.796	4.3	6.50	140
AICC-02-221	220	K	60	0.796	4.0	9.50	130
AICC-02-271	270	K	60	0.796	3.7	10.5	120
AICC-02-331	330	K	60	0.796	3.4	11.6	100
AICC-02-391	390	K	60	0.796	2.8	13.0	95
AICC-02-471	470	K	60	0.796	2.5	18.0	90
AICC-02-561	560	K	60	0.796	2.3	23.0	85
AICC-02-681	680	K	60	0.796	2.0	26.0	75
AICC-02-821	820	K	60	0.796	1.5	20.0	65
AICC-02-102	1000	K	60	0.796	1.2	20.0	60



Conformal Coated Axial Inductor

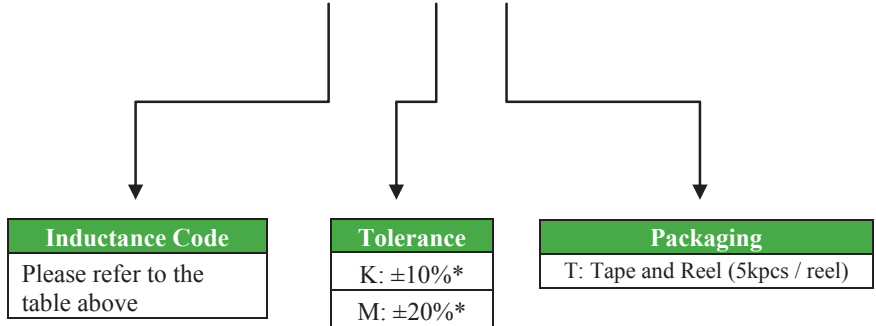


AICC-02

Pb RoHS/RoHS II Compliant

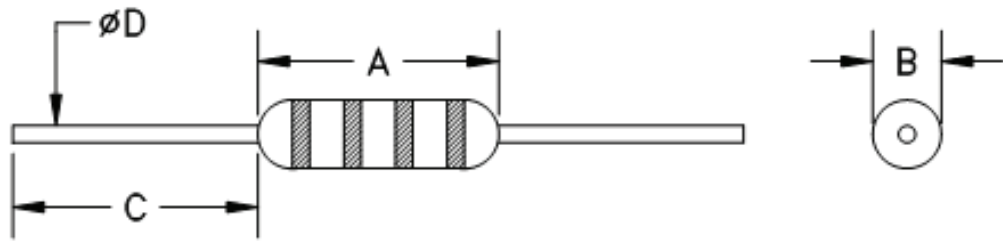
PART IDENTIFICATION:

AICC-02--



*M for 0.27~8.2 μ H
 *K for 10~1000 μ H

OUTLINE DRAWING:



A (Max)	0.245 (6.22)
B (Max)	0.110 (2.80)
C	1.05 (26.7)
D	0.020 (0.51)

Dimension: inch (mm)

Conformal Coated Axial Inductor

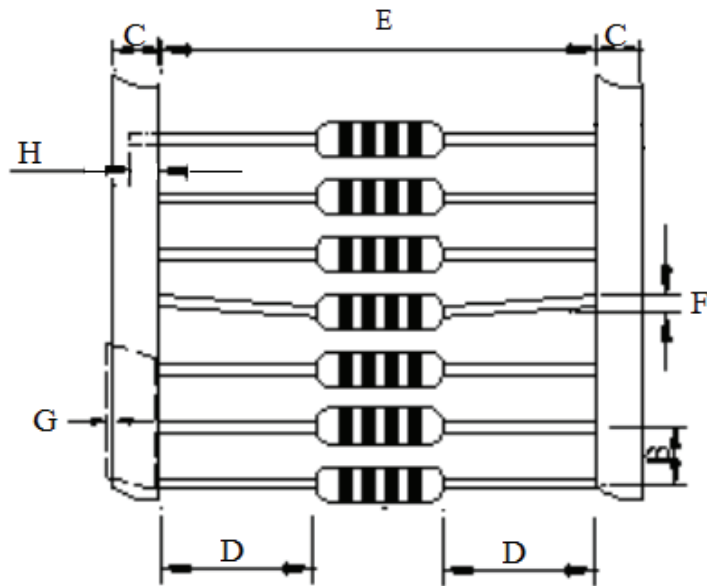
AICC-02

 RoHS/RoHS II Compliant

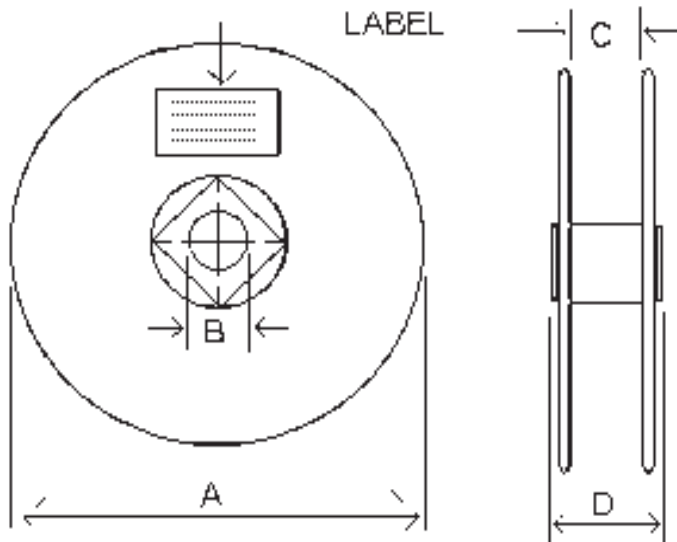


TAPE & REEL:

Packing (5,000pcs / Reel)



B	5+/-0.5
C	6+/-1.0
D	19 min
E	52+/-1.5
F	1.20 max
G	0.5 max
H	3.2 min



A	357+/-2
B	17+/-2
C	66+/-2
D	80+/-2

Dimension: mm

ATTENTION: Abracon Corporation's products are COTS – Commercial-Off-The-Shelf products; suitable for Commercial, Industrial and, where designated, Automotive Applications. Abracon's products are not specifically designed for Military, Aviation, Aerospace, Life-dependant Medical applications or any application requiring high reliability where component failure could result in loss of life and/or property. For applications requiring high reliability and/or presenting an extreme operating environment, written consent and authorization from Abracon Corporation is required. Please contact Abracon Corporation for more information.

ABRACON IS
ISO 9001:2008
CERTIFIED



Visit www.abracon.com for Terms & Conditions of Sale **Revised: 09.04.12**
30332 Esperanza, Rancho Santa Margarita, California 92688
tel 949-546-8000 | fax 949-546-8001 | www.abracon.com

OUR CERTIFICATE

DiGi provide top-quality products and perfect service for customer worldwide through standardization, technological innovation and continuous improvement. DiGi through third-party certification, we stricly control the quality of products and services. Welcome your RFQ to

Email: Info@DiGi-Electronics.com



Tel: +00 852-30501935

RFQ Email: Info@DiGi-Electronics.com

DiGi is a global authorized distributor of electronic components.