

# AIUR-07-470K Datasheet



<https://www.DiGi-Electronics.com>

DiGi Electronics Part Number	AIUR-07-470K-DG
Manufacturer	<a href="#">Abracon LLC</a>
Manufacturer Product Number	AIUR-07-470K
Description	FIXED IND 47UH 570MA 320 MOHM TH
Detailed Description	47 $\mu$ H Unshielded Drum Core, Wirewound Inductor 570 mA 320mOhm Max Radial, Vertical Cylinder



Tel: +00 852-30501935

RFQ Email: [Info@DiGi-Electronics.com](mailto:Info@DiGi-Electronics.com)

DiGi is a global authorized distributor of electronic components.

## Purchase and inquiry

Manufacturer Product Number:

AIUR-07-470K

Series:

AIUR-07

Type:

Drum Core, Wirewound

Inductance:

47  $\mu$ H

Current Rating (Amps):

570 mA

Shielding:

Unshielded

Q @ Freq:

35 @ 2.52MHz

Ratings:

-

Inductance Frequency - Test:

2.52 MHz

Package / Case:

Radial, Vertical Cylinder

Size / Dimension:

0.236" Dia (6.00mm)

Manufacturer:

Abracon LLC

Product Status:

Active

Material - Core:

Ferrite

Tolerance:

$\pm$ 10%

Current - Saturation (Isat):

700mA

DC Resistance (DCR):

320mOhm Max

Frequency - Self Resonant:

-

Operating Temperature:

-55°C ~ 85°C

Mounting Type:

Through Hole

Supplier Device Package:

-

Height - Seated (Max):

0.201" (5.10mm)

## Environmental & Export classification

RoHS Status:

ROHS3 Compliant

REACH Status:

REACH Unaffected

HTSUS:

8504.50.4000

Moisture Sensitivity Level (MSL):

1 (Unlimited)

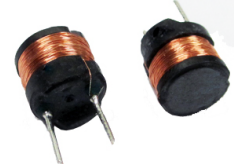
ECCN:

EAR99



# Unshielded Radial Power Inductor

AIUR-07 Series

 RoHS/RoHS II Compliant
4.6 x  $\phi$ 6.0 mm

## FEATURES:

- Ferrite core
- High Reliability

## APPLICATIONS:

- Switching Power Supplies
- Noise Filtering
- DC to DC Converters
- Electronic Household Appliances
- Buzzers and Alarm Systems
- Television and Audio Equipment

## STANDARD SPECIFICATIONS:

### PARAMETERS

ABRACON P/N:	AIUR-07 Series
Operating temperature:	-55°C to + 85°C with full rated current, -55°C ~ +125°C with no load.
Storage temperature:	-40°C to + 85°C (in package box)

Part Number	Inductance	Tolerance	Q (Min)	DCR (Max)	Saturation Current (Max)	Temperature Rise Current (Max)	Inductance Code
Units	$\mu$ H	%		$\Omega$	A	A	
Symbol	L	K		DCR	Isat	IDC	
AIUR-07-100	10	K	24	0.10	1.5	1.05	100K
AIUR-07-120	12	K	23	0.12	1.4	0.98	120K
AIUR-07-150	15	K	33	0.13	1.3	0.93	150K
AIUR-07-180	18	K	31	0.14	1.1	0.90	180K
AIUR-07-220	22	K	29	0.16	1.0	0.81	220K
AIUR-07-270	27	K	27	0.19	0.9	0.74	270K
AIUR-07-330	33	K	37	0.25	0.8	0.68	330K
AIUR-07-390	39	K	37	0.28	0.5	0.62	390K
AIUR-07-470	47	K	35	0.32	0.7	0.57	470K
AIUR-07-560	56	K	34	0.37	0.6	0.51	560K
AIUR-07-680	68	K	39	0.46	0.6	0.47	680K
AIUR-07-820	82	K	36	0.54	0.5	0.42	820K
AIUR-07-101	100	K	43	0.66	0.5	0.39	101K
AIUR-07-121	120	K	48	0.87	0.4	0.35	121K
AIUR-07-151	150	K	49	1.03	0.4	0.32	151K
AIUR-07-181	180	K	47	1.26	0.4	0.29	181K
AIUR-07-221	220	K	47	1.39	0.3	0.26	221K
AIUR-07-271	270	K	53	2.0	0.3	0.23	271K
AIUR-07-331	330	K	55	2.2	0.3	0.21	331K
AIUR-07-391	390	K	56	2.6	0.2	0.20	391K
AIUR-07-471	470	K	53	3.0	0.2	0.18	471K
AIUR-07-561	560	K	53	3.5	0.2	0.16	561K
AIUR-07-681	680	K	58	4.7	0.18	0.15	681K
AIUR-07-821	820	K	57	5.3	0.17	0.13	821K
AIUR-07-102	1000	K	60	6.3	0.15	0.10	102K

### Test Conditions and equipments

Test frequency: 1KHz for 100 $\mu$ H~1000 $\mu$ H; 2.52MHz for 10 $\mu$ H~82 $\mu$ H

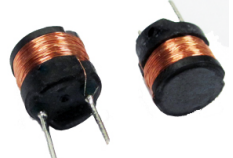
Isat: max. 10% inductance drop from initial value

IDC: The DC current at which the temperature rise is 40°C max

# Unshielded Radial Power Inductor

AIUR-07 Series

 RoHS/RoHS II Compliant



4.6 x  $\phi$ 6.0 mm

## PART IDENTIFICATIONS:

AIUR-07-

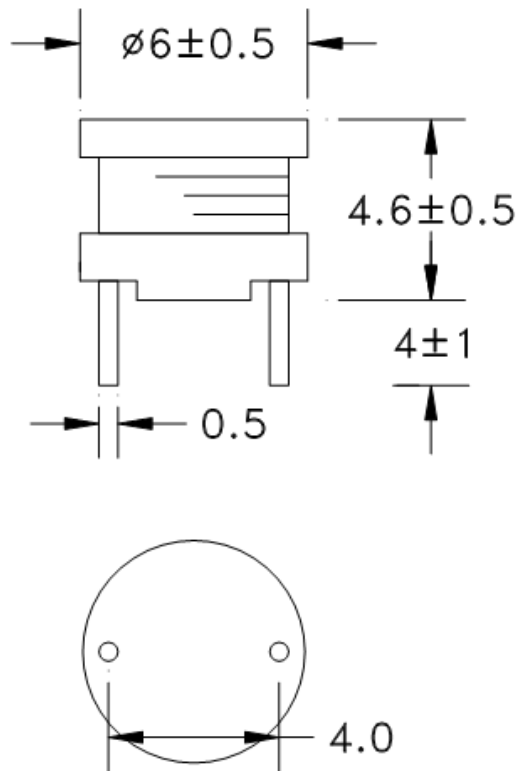
**Inductance Code**

Please refer to the Electrical Spec Table

**Tolerance**

K:  $\pm 10\%$

## OUTLINE DRAWING:



Dimension: mm

**Packing (1,000pcs / Box)**

**ATTENTION:** Abracon Corporation's products are COTS – Commercial-Off-The-Shelf products; suitable for Commercial, Industrial and, where designated, Automotive Applications. Abracon's products are not specifically designed for Military, Aviation, Aerospace, Life-dependant Medical applications or any application requiring high reliability where component failure could result in loss of life and/or property. For applications requiring high reliability and/or presenting an extreme operating environment, written consent and authorization from Abracon Corporation is required. Please contact Abracon Corporation for more information.

ABRACON IS  
ISO 9001:2008  
CERTIFIED



Visit [www.abracon.com](http://www.abracon.com) for Terms & Conditions of Sale **Revised: 04.24.13**  
 30332 Esperanza, Rancho Santa Margarita, California 92688  
 tel 949-546-8000 | fax 949-546-8001 | [www.abracon.com](http://www.abracon.com)



## OUR CERTIFICATE

DiGi provide top-quality products and perfect service for customer worldwide through standardization, technological innovation and continuous improvement. DiGi through third-party certification, we strictly control the quality of products and services. Welcome your RFQ to

Email: [Info@DiGi-Electronics.com](mailto:Info@DiGi-Electronics.com)



Tel: +00 852-30501935

RFQ Email: [Info@DiGi-Electronics.com](mailto:Info@DiGi-Electronics.com)

DiGi is a global authorized distributor of electronic components.