

ASPI-0315S-560M-T Datasheet



DiGi Electronics Part Number	ASPI-0315S-560M-T-DG
Manufacturer	Abracon LLC
Manufacturer Product Number	ASPI-0315S-560M-T
Description	IND 56UH 0.242A 1090M
Detailed Description	56 μ H Shielded Drum Core, Wirewound Inductor 24 2 mA 1.09Ohm Max Nonstandard

<https://www.DiGi-Electronics.com>



Tel: +00 852-30501935

RFQ Email: Info@DiGi-Electronics.com

DiGi is a global authorized distributor of electronic components.

Purchase and inquiry

Manufacturer Product Number:

ASPI-0315S-560M-T

Series:

ASPI-0315S

Type:

Drum Core, Wirewound

Inductance:

56 μ H

Current Rating (Amps):

242 mA

Shielding:

Shielded

Q @ Freq:

-

Ratings:

-

Inductance Frequency - Test:

100 kHz

Mounting Type:

Surface Mount

Supplier Device Package:

-

Height - Seated (Max):

0.071" (1.80mm)

Manufacturer:

Abracon LLC

Product Status:

Active

Material - Core:

Ferrite

Tolerance:

\pm 20%

Current - Saturation (Isat):

-

DC Resistance (DCR):

1.090hm Max

Frequency - Self Resonant:

-

Operating Temperature:

-40°C ~ 125°C

Features:

-

Package / Case:

Nonstandard

Size / Dimension:

0.146" L x 0.146" W (3.70mm x 3.70mm)

Environmental & Export classification

RoHS Status:

ROHS3 Compliant

REACH Status:

REACH Unaffected

HTSUS:

8504.50.4000

Moisture Sensitivity Level (MSL):

1 (Unlimited)

ECCN:

EAR99

SMD SHIELDED POWER INDUCTOR

ASPI-0315S-560M T Abracon LLC IND 5611H 0 242A 1090M



3.8 x 3.8 x 1.8mm

ASPI - 0315S



**RoHS
Compliant**

FEATURES:

- Compact size and very thin: 3.8X3.8X1.8mm
- Magnetically shielded, surface mount inductor
- Large DC current & low DC resistance
- Mighty temperature deflection prevents damage during solder reflow

APPLICATIONS:

- PDA's flash memory
- Step-up, step-down converters
- Communication systems, XDSL, PBX base stations
- Power source circuits, DC/DC converters, DC/AC inverters
- Hard disk, notebook computer

ELECTRICAL SPECIFICATIONS:

Abracon Part Number:	ASPI-0315S-xxx
Operating Temperature:	-40°C to +125°C (including self-generated heat)
Storage Temperature:	-40°C to +125°C

Part Number	L (μH)	Tolerance	R _{DC} (Ω)	I _{DC} (A)
		±20%, ±30%	Max	Max
ASPI-0315S-1R0	1.0	N	0.046	1.47
ASPI-0315S-1R5	1.5	N	0.052	1.45
ASPI-0315S-2R2	2.2	N	0.072	1.20
ASPI-0315S-2R7	2.7	N	0.075	1.18
ASPI-0315S-3R3	3.3	N	0.085	1.10
ASPI-0315S-3R9	3.9	N	0.095	1.00
ASPI-0315S-4R7	4.7	N	0.105	0.900
ASPI-0315S-5R6	5.6	N	0.119	0.822
ASPI-0315S-6R8	6.8	N	0.170	0.730
ASPI-0315S-8R2	8.2	N	0.190	0.621
ASPI-0315S-100	10	M	0.210	0.550
ASPI-0315S-120	12	M	0.247	0.500
ASPI-0315S-150	15	M	0.295	0.450
ASPI-0315S-180	18	M	0.416	0.410
ASPI-0315S-220	22	M	0.430	0.400
ASPI-0315S-270	27	M	0.546	0.370
ASPI-0315S-330	33	M	0.675	0.320
ASPI-0315S-390	39	M	0.871	0.278
ASPI-0315S-470	47	M	0.962	0.260
ASPI-0315S-560	56	M	1.09	0.242
ASPI-0315S-680	68	M	1.25	0.219
ASPI-0315S-820	82	M	1.50	0.200
ASPI-0315S-101	100	M	1.68	0.187
ASPI-0315S-121	120	M	2.15	0.178
ASPI-0315S-151	150	M	2.60	0.150
ASPI-0315S-181	180	M	2.86	0.138
ASPI-0315S-221	220	M	4.55	0.122
ASPI-0315S-271	270	M	5.07	0.105
ASPI-0315S-331	330	M	5.89	0.098
ASPI-0315S-391	390	M	6.50	0.096
ASPI-0315S-471	470	M	7.15	0.081
ASPI-0315S-561	560	M	9.75	0.070
ASPI-0315S-681	680	M	12.74	0.069

Testing Condition:

Inductance: 100KHz, 0.25V, 0 Adc
 Humidity Range: 65% RH
 Temperature Rise Current: Current measured when ΔT of 40°C
 Saturation Current: Current measured when ΔL of 30%
 1) Test L: Agilent 4284A Precision LCR meter.
 2) Test DCR: Mili-ohm meter
 3) Test IDC: Agilent 4284A Precision LCR meter with HP42841A current source.



5101 Hidden Creek Ln Spicewood TX 78669
 Phone: 512-371-6159 | Fax: 512-351-8858
 For terms and conditions of sales, please visit:
www.abracon.com

REVISED: 09-30-20

ABRACON IS
 ISO9001-2015
 CERTIFIED

SMD SHIELDED POWER INDUCTOR

ASPI-0315S-560M-T Abracon LLC IND 56UH 0.242A 1990M



3.8 x 3.8 x 1.8mm

ASPI - 0315S



RoHS
Compliant

➤ PART IDENTIFICATION:

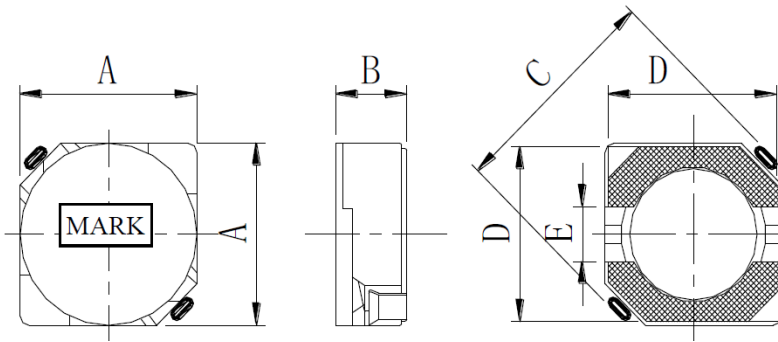
ASPI-0315S -

Inductance Code
Please refer to the table above

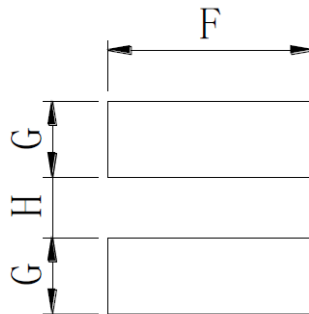
Tolerance
M: ±20%
N: ±30%

Packaging
T: Tape and Reel
(3kpcs / reel)

➤ MECHANICAL DIMENSIONS:



A	B(Max.)	C(Max.)	D (Ref.)	E (Ref.)
3.7±0.3	1.8	5.5	4.0	1.0



G (Ref.)	H (Ref.)	F (Ref.)
1.5	1.0	4.0

SMD SHIELDED POWER INDUCTOR

ASPI-0315S-560M-T Abracon LLC IND 56UH 0.242A 1990M



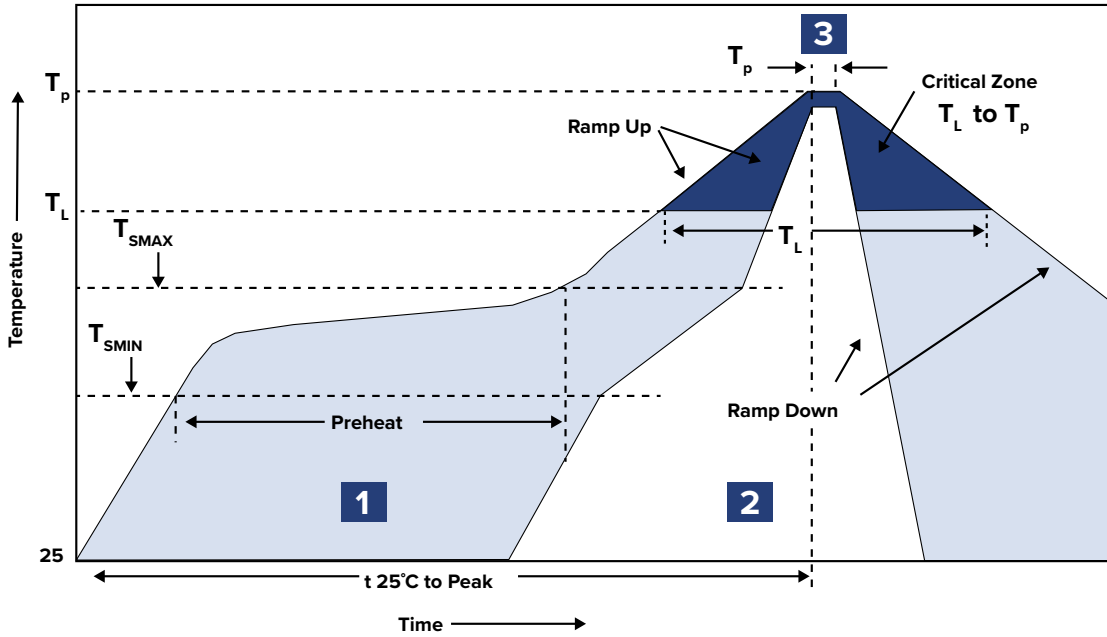
3.8 x 3.8 x 1.8mm

ASPI - 0315S



RoHS
Compliant

REFLOW PROFILE:



Zone	Description	Temperature	Time
1	Preheat / Soak	T_{SMAX} 150°C ~ 200°C	60 ~ 180 sec.
2	Reflow	T_L 217°C	60 ~ 150 sec.
3	Peak heat	T_P 260°C ± 5°C	10 sec. MAX

SMD SHIELDED POWER INDUCTOR

ASPI-0315S-560M-T Abracon LLC IND 56UH 0.242A 1990M



3.8 x 3.8 x 1.8mm

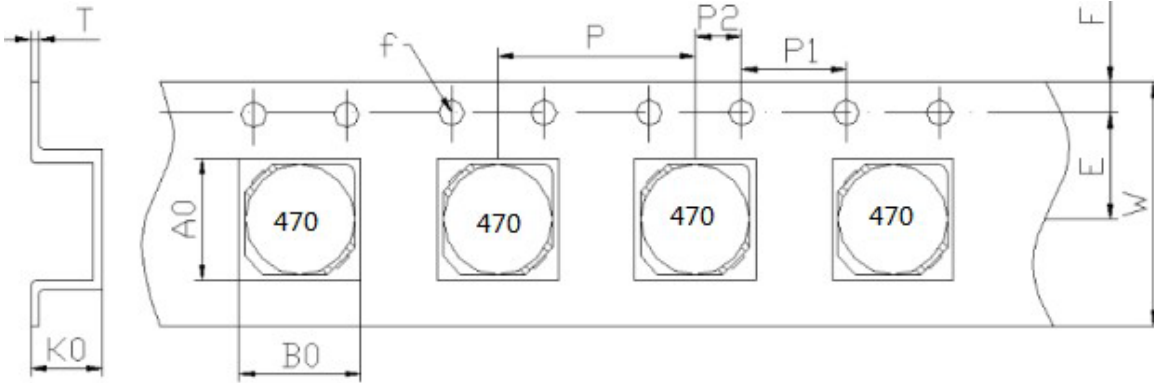
ASPI - 0315S



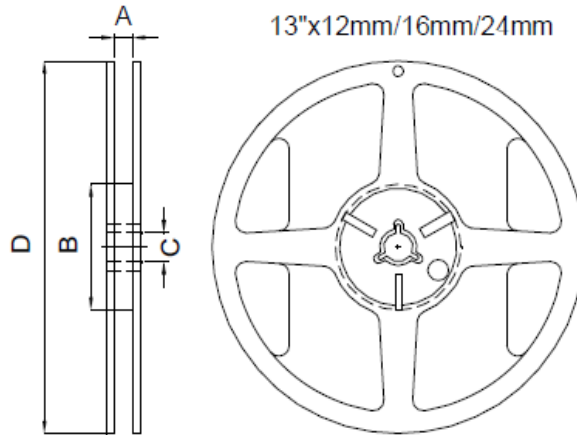
RoHS
Compliant

PACKING:

T: 3,000 pcs / reel



W	A0	B0	K0	P
12 ± 0.3	4.3 ± 0.1	4.3 ± 0.1	1.9 ± 0.1	8 ± 0.1
E	F	P1	P2	T
5.5 ± 0.1	1.75 ± 0.1	8.0 ± 0.1	4.0 ± 0.1	0.35 ± 0.05



A	B	C	D
12.5 ± 0.5	100 ± 0.5	13.5 ± 0.5	330 ± 0.5

ATTENTION: Abracon LLC's products are COTS – Commercial-Off-The-Shelf products; suitable for Commercial, Industrial and, where designated, Automotive Applications. Abracon's products are not specifically designed for Military, Aviation, Aerospace, Life-dependent Medical applications or any application requiring high reliability where component failure could result in loss of life and/or property. For applications requiring high reliability and/or presenting an extreme operating environment, written consent and authorization from Abracon LLC is required. Please contact Abracon LLC for more information.



5101 Hidden Creek Ln Spicewood TX 78669
Phone: 512-371-6159 | Fax: 512-351-8858
For terms and conditions of sales, please visit:
www.abracon.com

REVISED: 09-30-20

ABRACON IS
ISO9001-2015
CERTIFIED

OUR CERTIFICATE

DiGi provide top-quality products and perfect service for customer worldwide through standardization, technological innovation and continuous improvement. DiGi through third-party certification, we stricly control the quality of products and services. Welcome your RFQ to

Email: Info@DiGi-Electronics.com



Tel: +00 852-30501935

RFQ Email: Info@DiGi-Electronics.com

DiGi is a global authorized distributor of electronic components.