

ASPI-2410-R68M-T2 Datasheet



DiGi Electronics Part Number	ASPI-2410-R68M-T2-DG
Manufacturer	Abracon LLC
Manufacturer Product Number	ASPI-2410-R68M-T2
Description	FIXED IND 680NH 2.5A 60 MOHM SMD
Detailed Description	680 nH Shielded Wirewound Inductor 2.1 A 61mOhm Max Nonstandard

<https://www.DiGi-Electronics.com>



Tel: +00 852-30501935

RFQ Email: Info@DiGi-Electronics.com

DiGi is a global authorized distributor of electronic components.

Purchase and inquiry

Manufacturer Product Number:

ASPI-2410-R68M-T2

Series:

ASPI-2410

Type:

Wirewound

Inductance:

680 nH

Current Rating (Amps):

2.1 A

Shielding:

Shielded

Q @ Freq:

-

Ratings:

-

Inductance Frequency - Test:

100 kHz

Mounting Type:

Surface Mount

Supplier Device Package:

-

Height - Seated (Max):

0.039" (1.00mm)

Manufacturer:

Abracon LLC

Product Status:

Active

Material - Core:

-

Tolerance:

±20%

Current - Saturation (Isat):

2.75A

DC Resistance (DCR):

61mOhm Max

Frequency - Self Resonant:

110MHz

Operating Temperature:

-25°C ~ 120°C

Features:

-

Package / Case:

Nonstandard

Size / Dimension:

0.098" L x 0.079" W (2.50mm x 2.00mm)

Environmental & Export classification

RoHS Status:

ROHS3 Compliant

REACH Status:

REACH Unaffected

HTSUS:

8504.50.4000

Moisture Sensitivity Level (MSL):

Not Applicable

ECCN:

EAR99

Low Profile Shielded SMD Chip Power Inductor



ASPI-2410


2.4 x 2.4 x 1.0mm
RoHS/RoHS Compliant

Features

- Small size and low profile: 1.0mm
- Small DCR and high rated current
- High reliability to mechanical stress
- Magnetically shielded by magnetic powder molding
- Suitable for RoHS reflow profile

Applications

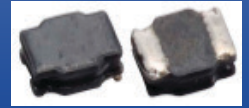
- Mobile phones
- MP3 & 4 and other portable communication equipment
- Digital cameras

Electrical Specifications

Operating Temperature & Humidity:	-25°C to +120°C (Including self generated heat)
Storage Temperature & Humidity:	-10°C to +40°C, 30% to 70% RH

Part Number ASPI-2410- Inductance Code	Inductance	Inductance Tolerance	DCR		Self-Resonant Frequency	Saturation Current	Temperature Rise Current
			Max	Typ			
Units	μH	%	mΩ	mΩ	MHz	A	A
Symbol	L	M, N	DCR		SRF	Isat*	Irms*
ASPI-2410-R24	0.24	M	34	28	360	3.60	2.75
ASPI-2410-R33	0.33	M	43	36	270	3.80	2.40
ASPI-2410-R47	0.47	M	44	37	170	2.40	2.40
ASPI-2410-R68	0.68	M	61	51	110	2.75	2.10
ASPI-2410-1R0	1.0	M	80	67	84	2.05	1.80
ASPI-2410-1R5	1.5	M	108	90	60	1.70	1.55
ASPI-2410-2R2	2.2	M	137	114	56	1.55	1.40
ASPI-2410-3R3	3.3	M	228	170	39	1.10	1.10
ASPI-2410-4R7	4.7	M	323	269	28	1.00	0.91
ASPI-2410-6R8	6.8	M	451	376	25	0.82	0.76
ASPI-2410-100	10.0	M	584	487	20	0.65	0.67
ASPI-2410-150	15.0	M	954	795	19	0.55	0.50
ASPI-2410-220	22.0	M	1548	1290	15	0.45	0.40
ASPI-2410-330	33.0	M	1548	1290	10	0.25	0.40

Low Profile Shielded SMD Chip Power Inductor



ASPI-2410



2.4 x 2.4 x 1.0mm
RoHS/RoHS Compliant

Part Number Identification

ASPI-2410- [] [] - []

Inductance Code

Please refer to the
Electrical Spec Table

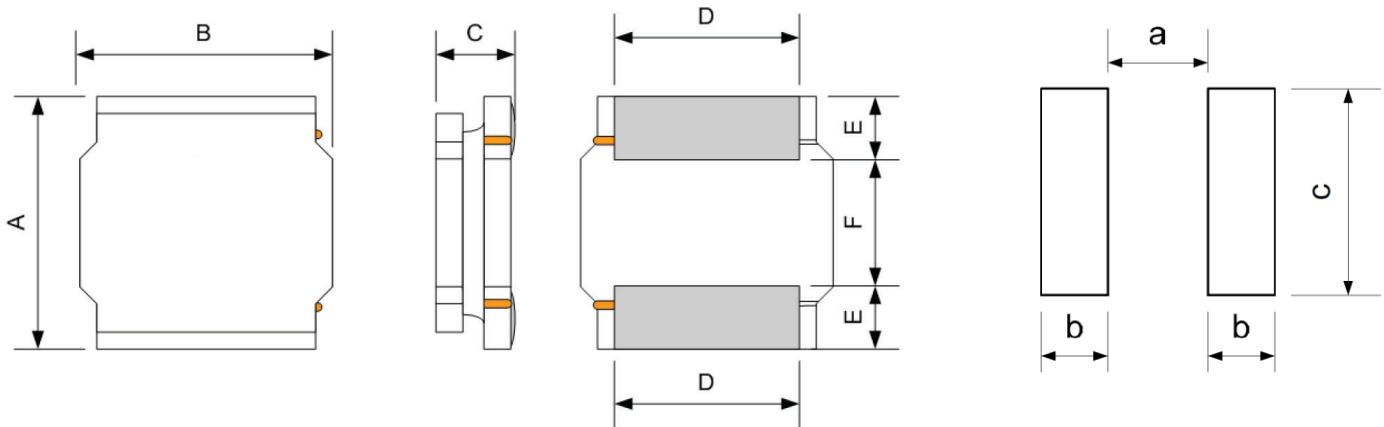
Tolerance

M: $\pm 20\%^*$

Packaging

T2: Tape and Reel (2kpcs / reel)

Mechanical Information



A	B	C	D	E	F	a Typ.	b Typ.	C Typ.
2.5 \pm 0.2	2.0 \pm 0.2	1.0 Max	2.0 \pm 0.2	0.8 \pm 0.2	0.8 \pm 0.2	0.80	0.85	2.0

Dimensions: mm



5101 Hidden Creek Ln Spicewood TX 78669
Phone: 512-371-6159 | Fax: 512-351-8858
For terms and conditions of sales, please visit:
www.abracon.com

REVISED: 04-15-20

ABRACON IS
ISO9001-2015
CERTIFIED

Low Profile Shielded SMD Chip Power Inductor

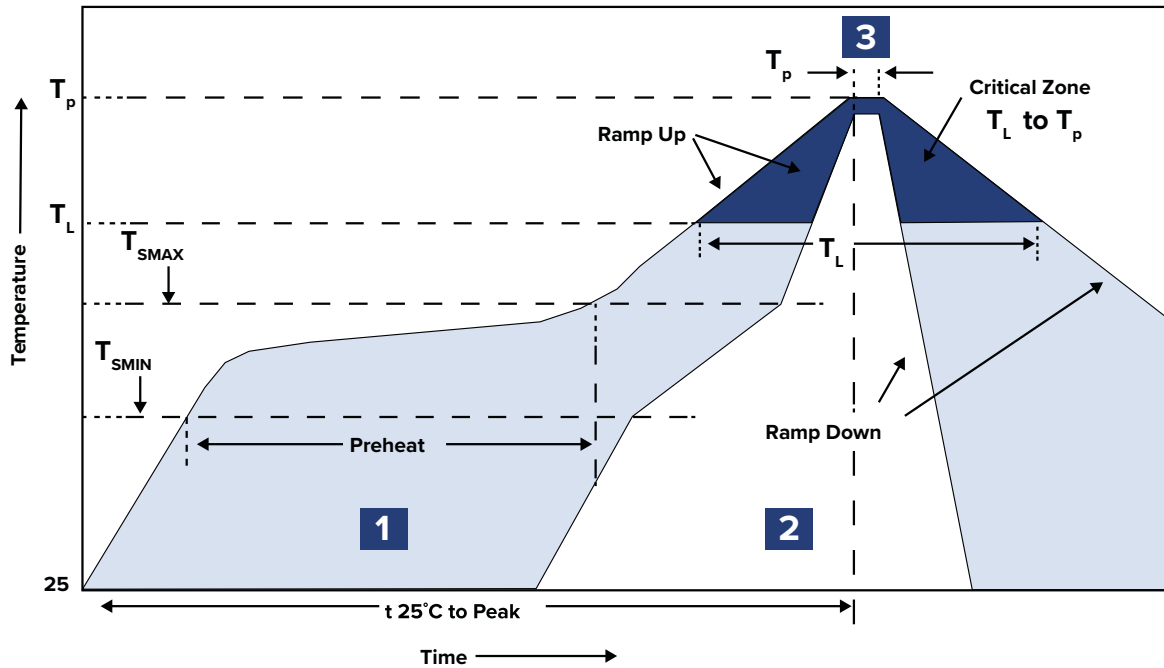


ASPI-2410



2.4 x 2.4 x 1.0mm
RoHS/RoHS Compliant

Reflow Profile



Zone	Description	Temperature	Time
1	Preheat / Soak	$T_{SMIN} \sim T_{SMAX}$ 150°C ~ 200°C	60 ~ 120 sec.
2	Reflow	T_L 217°C	60 ~ 90 sec.
3	Peak heat	T_P 260°C ± 5°C	5 sec. MAX

Low Profile Shielded SMD Chip Power Inductor

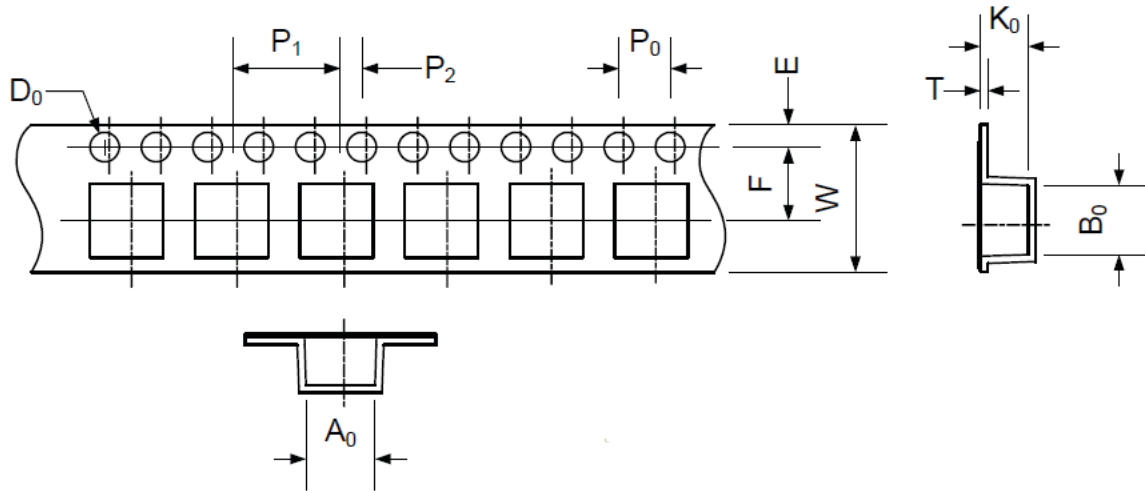


ASPI-2410



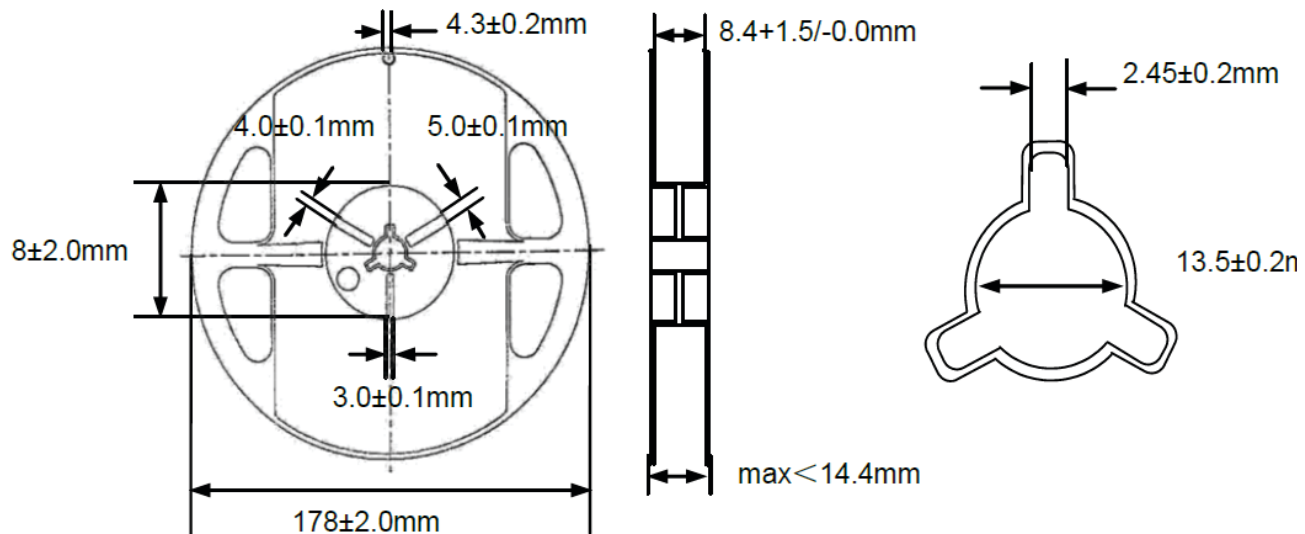
2.4 x 2.4 x 1.0mm
RoHS/RoHS Compliant

Packaging



A_0	B_0	W	E	F	P_0	P_1	P_2	D_0	T	K_0
2.45 ± 0.05	2.75 ± 0.05	8.0 ± 0.1	1.75 ± 0.1	3.5 ± 0.05	4.0 ± 0.1	4.0 ± 0.1	2.0 ± 0.05	1.5 $+0.1/-0.0$	0.25 ± 0.03	1.20 ± 0.05

Dimensions: mm



ATTENTION: Abracon LLC's products are COTS – Commercial-Off-The-Shelf products; suitable for Commercial, Industrial and, where designated, Automotive Applications. Abracon's products are not specifically designed for Military, Aviation, Aerospace, Life-dependent Medical applications or any application requiring high reliability where component failure could result in loss of life and/or property. For applications requiring high reliability and/or presenting an extreme operating environment, written consent and authorization from Abracon LLC is required. Please contact Abracon LLC for more information.



5101 Hidden Creek Ln Spicewood TX 78669
Phone: 512-371-6159 | Fax: 512-351-8858
For terms and conditions of sales, please visit:
www.abracon.com

REVISED: 04-15-20

ABRACON IS
ISO9001-2015
CERTIFIED

OUR CERTIFICATE

DiGi provide top-quality products and perfect service for customer worldwide through standardization, technological innovation and continuous improvement. DiGi through third-party certification, we stricly control the quality of products and services. Welcome your RFQ to

Email: Info@DiGi-Electronics.com



Tel: +00 852-30501935

RFQ Email: Info@DiGi-Electronics.com

DiGi is a global authorized distributor of electronic components.