

ASPI-4020HI-1R5M-T Datasheet

www.digi-electronics.com



<https://www.DiGi-Electronics.com>

DiGi Electronics Part Number	ASPI-4020HI-1R5M-T-DG
Manufacturer	Abracon LLC
Manufacturer Product Number	ASPI-4020HI-1R5M-T
Description	FIXED IND 1.5UH 4A 46 MOHM SMD
Detailed Description	1.5 μ H Shielded Molded Inductor 4 A 46mOhm Max Nonstandard



Tel: +00 852-30501935

RFQ Email: Info@DiGi-Electronics.com

DiGi is a global authorized distributor of electronic components.

Purchase and inquiry

Manufacturer Product Number:

ASPI-4020HI-1R5M-T

Series:

ASPI-4020HI

Type:

Molded

Inductance:

1.5 μ H

Current Rating (Amps):

4 A

Shielding:

Shielded

Q @ Freq:

-

Ratings:

-

Inductance Frequency - Test:

100 kHz

Package / Case:

Nonstandard

Size / Dimension:

0.177" L x 0.161" W (4.50mm x 4.10mm)

Manufacturer:

Abracon LLC

Product Status:

Active

Material - Core:

Iron Alloy

Tolerance:

\pm 20%

Current - Saturation (Isat):

6A

DC Resistance (DCR):

46mOhm Max

Frequency - Self Resonant:

-

Operating Temperature:

-55°C ~ 155°C

Mounting Type:

Surface Mount

Supplier Device Package:

4020

Height - Seated (Max):

0.083" (2.10mm)

Environmental & Export classification

RoHS Status:

ROHS3 Compliant

REACH Status:

REACH Unaffected

HTSUS:

8504.50.4000

Moisture Sensitivity Level (MSL):

1 (Unlimited)

ECCN:

EAR99

Shielded Power Inductor

ASPI-4020HI



RoHS/RoHS II Compliant

MSL = 1



4.4 x 4.2 x 2.0mm

FEATURES:

- High saturation current
- Low loss due to low DC resistance
- Low profile with max thickness 2.1mm
- 100% lead free and meet RoHS standard
- Suitable for reflow soldering
- Highly reliable SMD package

APPLICATIONS:

- DC/DC converters in LED driver, Notebook, Tablet, Desktop and Server
- Low profile, high current power supplies

STANDARD SPECIFICATIONS

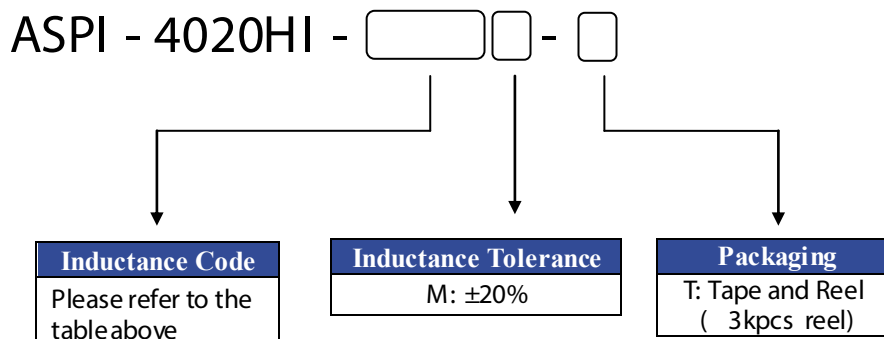
Abrakon P/N:	ASPI-4020HI Series
Operating Temperature & Humidity:	-55°C to +125°C
Storage Temperature & Humidity:	-10 to + 40 °C, 70% RH max (In tape and reel)

Part Number ASPI-4020HI- Inductance Code	L(uH)	Tolerance	DCR (mΩ) max.	Isat (A) Typ.	Irms (A) Typ.
ASPI-4020HI-R47	0.47	M	14	9.5	7.5
ASPI-4020HI-1R0	1.0	M	27	7.0	6.0
ASPI-4020HI-1R5	1.5	M	46	6.0	5.0
ASPI-4020HI-2R2	2.2	M	58	5.0	4.5
ASPI-4020HI-3R3	3.3	M	87	4.0	3.3
ASPI-4020HI-4R7	4.7	M	105	3.0	2.8
ASPI-4020HI-6R8	6.8	M	175	2.5	2.4

I_{sat} would cause inductance to drop by about 30%.

I_{rms} would cause an ΔT of about 40°C.

PART NUMBER IDENTIFICATION



Shielded Power Inductor

ASPI-4020HI-1R5M-T Abracon LLC FIXED IND 1.5UH 4A 46 MOHM SMD

ASPI-4020HI

Pb RoHS/RoHS II Compliant
MSL = 1



4.5 x 4.1 x 2.1mm

OUTLINE DRAWING:

A	B	C max.
4.2 ± 0.3	4.4 ± 0.35	2.0

Recommended Land Pattern

F typ	G typ	H typ
1.5	2.2	2.5

Dimension: mm

REFLOW PROFILE

Zone	Description	Temperature	Time
1	Preheat / Soak	$T_{SMIN} \sim T_{SMAX}$ 150°C ~ 200°C	60 ~ 120 sec.
2	Reflow	T_L 217°C	60 ~ 90 sec.
3	Peak heat	T_P 255°C	10 sec. MAX

Shielded Power Inductor

ASPI-4020HI

 **RoHS/RoHS II Compliant**
MSL = 1

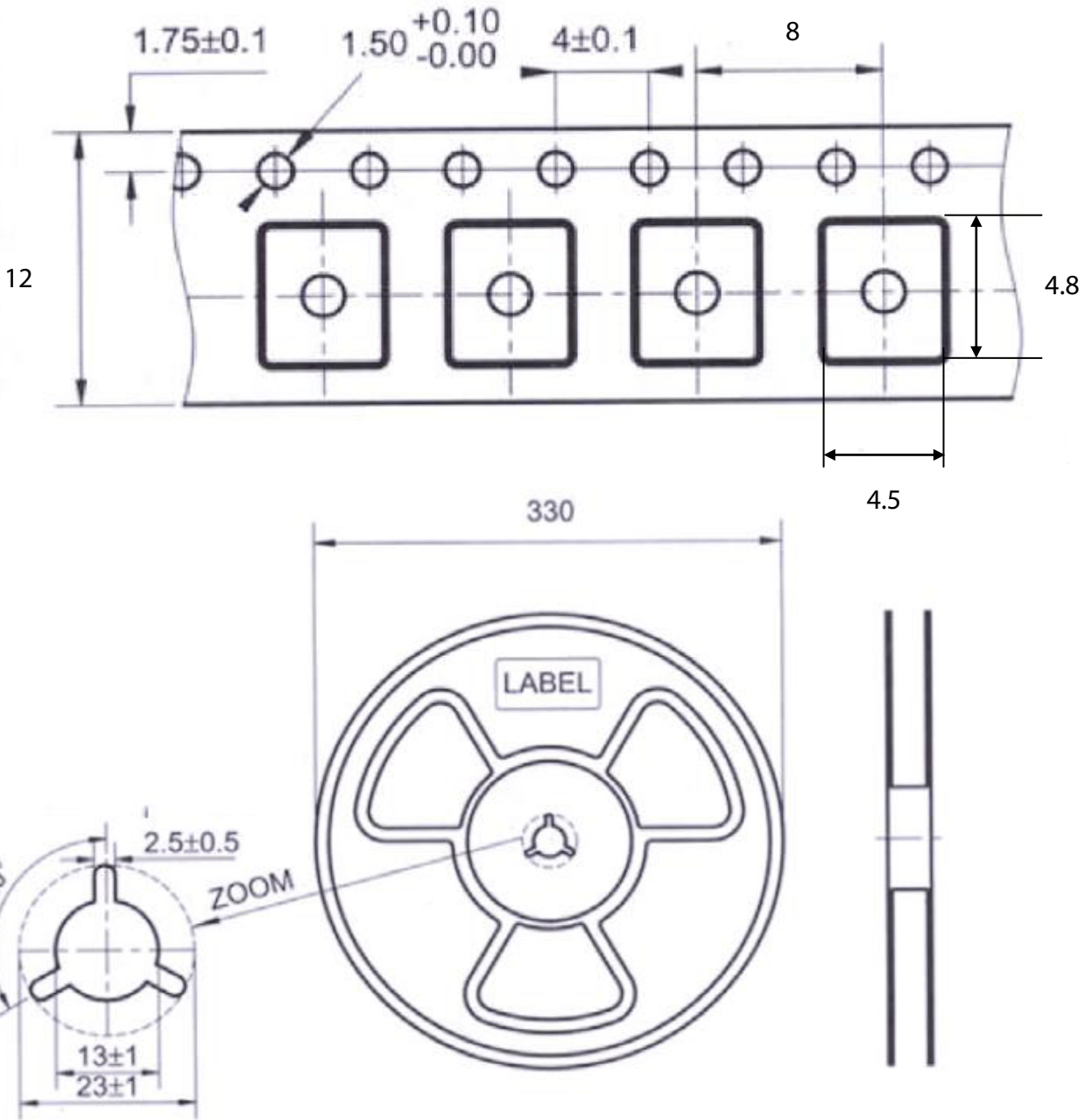


4.5 x 4.1 x 2.1mm

➤ **TAPE & REEL**

Packing

T= tape and reel (3,000pc/reel)



Dimension: mm

ATTENTION: Abracon LLC's products are COTS – Commercial-Off-The-Shelf products; suitable for Commercial, Industrial and, where designated, Automotive Applications. Abracon's products are not specifically designed for Military, Aviation, Aerospace, Life-dependent Medical applications or any application requiring high reliability where component failure could result in loss of life and/or property. For applications requiring high reliability and/or presenting an extreme operating environment, written consent and authorization from Abracon LLC is required. Please contact Abracon LLC for more information.



5101 Hidden Creek Lane Spicewood TX 78669
Phone: 512-371-6159 | Fax: 512-351-8858
For terms and conditions of sale please visit:
www.abracon.com

REVISED: 04/15/2020

ABRACON IS
ISO9001-2015
CERTIFIED

OUR CERTIFICATE

DiGi provide top-quality products and perfect service for customer worldwide through standardization, technological innovation and continuous improvement. DiGi through third-party certification, we stricly control the quality of products and services. Welcome your RFQ to

Email: Info@DiGi-Electronics.com



Tel: +00 852-30501935

RFQ Email: Info@DiGi-Electronics.com

DiGi is a global authorized distributor of electronic components.