

ASPI-5040S-3R3N-T Datasheet



DiGi Electronics Part Number	ASPI-5040S-3R3N-T-DG
Manufacturer	Abracon LLC
Manufacturer Product Number	ASPI-5040S-3R3N-T
Description	FIXED IND 3.3UH 3.8A 27 MOHM
Detailed Description	3.3 μ H Shielded Wirewound Inductor 3.3 A 32mOhm Max Nonstandard

<https://www.DiGi-Electronics.com>



Tel: +00 852-30501935

RFQ Email: Info@DiGi-Electronics.com

DiGi is a global authorized distributor of electronic components.

Purchase and inquiry

Manufacturer Product Number:

ASPI-50405-3R3N-T

Series:

ASPI-50405

Type:

Wirewound

Inductance:

3.3 μ H

Current Rating (Amps):

3.3 A

Shielding:

Shielded

Q @ Freq:

-

Ratings:

-

Inductance Frequency - Test:

100 kHz

Mounting Type:

Surface Mount

Supplier Device Package:

-

Height - Seated (Max):

0.157" (4.00mm)

Manufacturer:

Abracon LLC

Product Status:

Active

Material - Core:

-

Tolerance:

\pm 30%

Current - Saturation (Isat):

3.8A

DC Resistance (DCR):

32mOhm Max

Frequency - Self Resonant:

-

Operating Temperature:

-40°C ~ 125°C

Features:

-

Package / Case:

Nonstandard

Size / Dimension:

0.197" L x 0.197" W (5.00mm x 5.00mm)

Environmental & Export classification

RoHS Status:

ROHS3 Compliant

REACH Status:

REACH Unaffected

HTSUS:

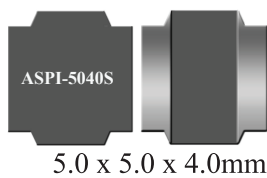
8504.50.4000

Moisture Sensitivity Level (MSL):

Not Applicable

ECCN:

EAR99



5.0 x 5.0 x 4.0mm

RoHS
Compliant

ASPI-5040S

Low Profile Shielded SMD Chip Power Inductor

FEATURES:

- Magnetically shielded for low radiation
- Large Terminal surface for good PCB mounting
- Low DCR and high rated current
- Suitable for DC-DC converter applications

APPLICATIONS:

- Portable communication equipment
- OA equipment
- LCD, DVD, modem, set-top box
- DC/DC converters

ELECTRICAL SPECIFICATIONS:

Part Number	Inductance	Tolerance	DCR Max	DCR Typ	Current Max	Temperature Rise Current Max
Units	μH	%	$\text{m}\Omega$	$\text{m}\Omega$	A	A
Symbol	L	M= $\pm 20\%$, N= $\pm 30\%$	DCR	DCR	Isat	Irms
ASPI-5040S-1R5	1.5	N	24	20	6.00	3.60
ASPI-5040S-2R2	2.2	N	26	22	4.60	3.50
ASPI-5040S-3R3	3.3	N	32	27	3.80	3.30
ASPI-5040S-4R7	4.7	N	35	29	3.30	3.10
ASPI-5040S-6R8	6.8	M	59	49	2.60	2.30
ASPI-5040S-100	10	M	67	56	2.30	2.10
ASPI-5040S-150	15	M	96	80	2.00	1.80
ASPI-5040S-220	22	M	151	126	1.60	1.40
ASPI-5040S-330	33	M	216	180	1.30	1.20
ASPI-5040S-470	47	M	372	310	1.10	0.90

Test Criteria:

Inductance: 100kHz, 1V

Isat: Based on inductance change ($\Delta L/L_0: \leq -30\%$)Irms: Based on temperature rise ($\Delta T: 40^\circ\text{C TYP.}$)

Storage Temperature	-40°C ~ 125°C (including self-generated heat)
----------------------------	---

Operating Temperature	-40°C ~ 125°C
------------------------------	---------------

OPTIONS AND PART IDENTIFICATION

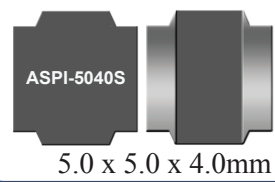
ASPI-5040S - [] [] - []

Inductance Code
Please refer to the table above

Tolerance
M: $\pm 20\%$
N: $\pm 30\%$

M for 6.8 μH ~47 μH
N for 1.5 μH ~4.7 μH

Packaging
T: Tape and Reel (1.5kpcs / reel)



Low Profile Shielded SMD Chip Power Inductor

ASPI-5040S



RoHS
Compliant

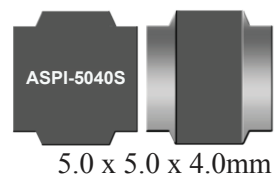
OUTLINE DRAWING:

A	5.0±0.2
B	5.0±0.2
C	4.0 Max.

Dimensions: mm

REFLOW PROFILE

Zone	Description	Temperature	Time
1	Preheat / Soak	T_{SMAX} 150°C	60 sec.
2	Reflow	T_L 200°C	20 sec. MAX
3	Peak heat	T_p 260°C	10 sec. MAX



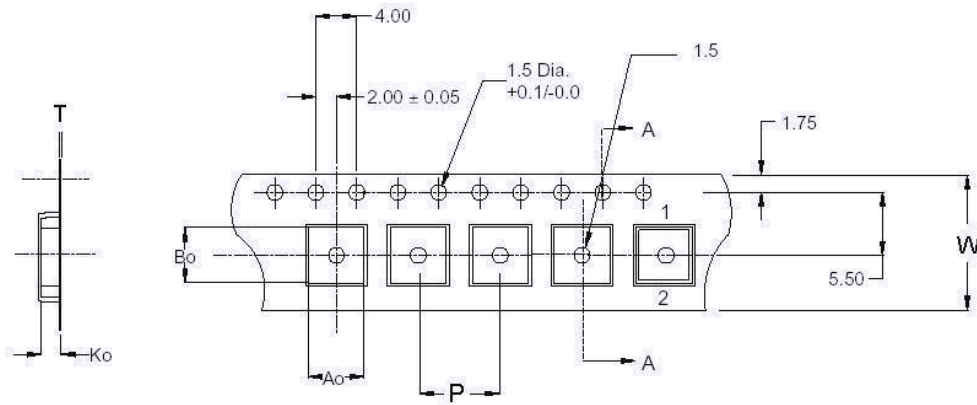
Low Profile Shielded SMD Chip Power Inductor

ASPI-5040S

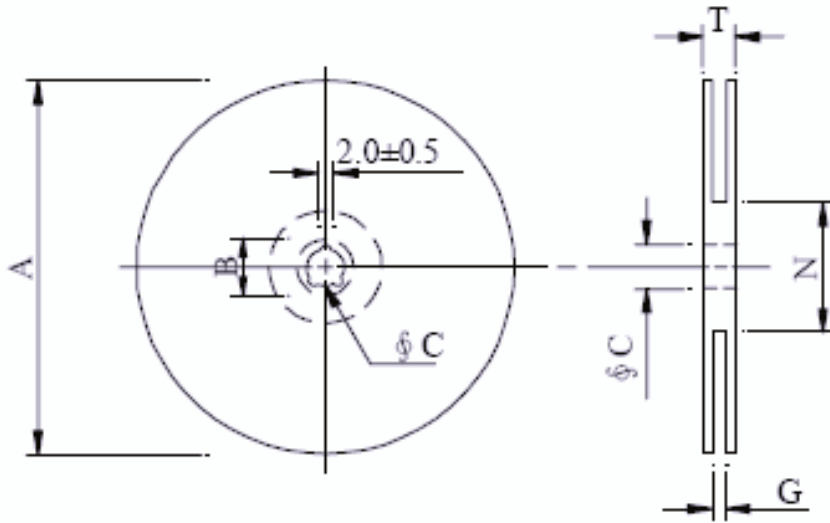


RoHS
Compliant

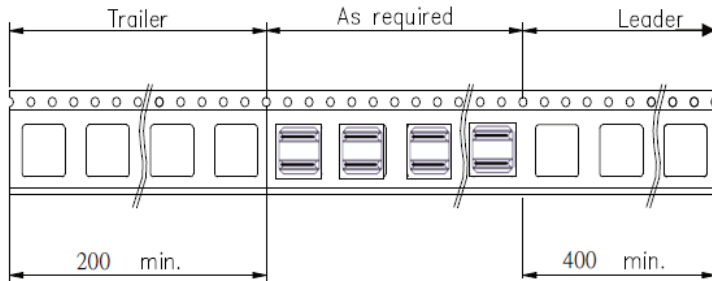
TAPE & REEL: T: 1500pcs/reel



Ao	5.40
Bo	5.40
Ko	4.75
W	16.00
P	12.00
T	0.35



A	330
B	21.0±0.8
C	13.5±0.5
G	16.8
N	99.5
T	21.0



Dimensions: mm

ATTENTION: Abracon LLC's products are COTS – Commercial-Off-The-Shelf products; suitable for Commercial, Industrial and, where designated, Automotive Applications. Abracon's products are not specifically designed for Military, Aviation, Aerospace, Life-dependent Medical applications or any application requiring high reliability where component failure could result in loss of life and/or property. For applications requiring high reliability and/or presenting an extreme operating environment, written consent and authorization from Abracon LLC is required. Please contact Abracon LLC for more information.



5101 Hidden Creek Ln Spicewood TX 78669
 Phone: 512-371-6159 | Fax: 512-351-8858
 For terms and conditions of sales, please visit:
www.abracon.com

REVISED: 12-02-19

ABRACON IS
 ISO9001-2015
 CERTIFIED

OUR CERTIFICATE

DiGi provide top-quality products and perfect service for customer worldwide through standardization, technological innovation and continuous improvement. DiGi through third-party certification, we stricly control the quality of products and services. Welcome your RFQ to

Email: Info@DiGi-Electronics.com



Tel: +00 852-30501935

RFQ Email: Info@DiGi-Electronics.com

DiGi is a global authorized distributor of electronic components.