

EEC-F5R5U105 Datasheet

www.digi-electronics.com



<https://www.DiGi-Electronics.com>

DiGi Electronics Part Number	EEC-F5R5U105-DG
Manufacturer	Panasonic Electronic Components
Manufacturer Product Number	EEC-F5R5U105
Description	CAP 1F -20% +80% 5.5V T/H
Detailed Description	1 F (EDLC) Supercapacitor 5.5 V Radial, Can 300hm @ 1kHz 1000 Hrs @ 70°C

This model EEC-F5R5U105 is available at DiGi Electronics.

DiGi Electronics offers a global database of semiconductor and electronic component datasheets.

We welcome your inquiries regarding pricing, lead time, or other product-related questions.

 [Request a Quote](#)

 [Datasheet Search](#)



Tel: +00 852-30501935

RFQ Email: Info@DiGi-Electronics.com

DiGi is a global authorized distributor of electronic components.

Purchase and inquiry

Manufacturer Product Number:

EEC-F5R5U105

Series:

NF

Capacitance:

1 F

Voltage - Rated:

5.5 V

Lifetime @ Temp.:

1000 Hrs @ 70°C

Mounting Type:

Through Hole

Lead Spacing:

0.197" (5.00mm)

Height - Seated (Max):

0.315" (8.00mm)

Base Product Number:

EEC-F5

Manufacturer:

Panasonic Electronic Components

Product Status:

Obsolete

Tolerance:

-20%, +80%

ESR (Equivalent Series Resistance):

300hm @ 1kHz

Termination:

PC Pins

Package / Case:

Radial, Can

Size / Dimension:

0.846" Dia (21.50mm)

Operating Temperature:

-25°C ~ 70°C

Environmental & Export classification

RoHS Status:

RoHS Compliant

ECCN:

EAR99

Moisture Sensitivity Level (MSL):

1 (Unlimited)

HTSUS:

8532.22.0020

Stacked Coin Type

Not recommended for new design

Series : **NF**

Features

- Endurance : +70 °C 1000 h
- RoHS compliant

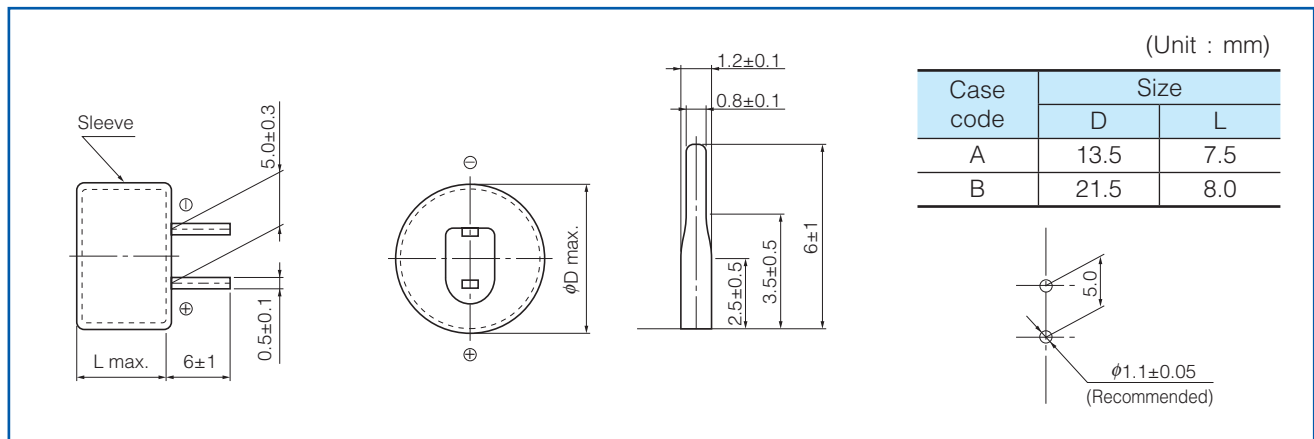
Recommended applications

- Memory back-up for video and audio equipment, cameras, telephones, printers, data terminals, rice cookers and intelligent remote controls.

Specifications

Category temp. range	-25 °C to +70 °C	
Maximum operating voltage	5.5 V.DC	
Nominal cap.range	0.22 F to 1.5 F	
Characteristics at low temperature	Capacitance change	±30 % of initial measured value at +20 °C (at -25 °C)
	Internal resistance	≤ 5 times of initial measured value at +20 °C (at -25 °C)
Endurance	After 1000 hours application of 5.5 V.DC at +70 °C, the capacitor shall meet the following limits.	
	Capacitance change	±30 % of initial measured value
Shelf life	Internal resistance	≤ 4 times of initial specified value
	After 1000 hours storage at +70 °C without load, the capacitor shall meet the specified limits for Endurance.	

Dimensions in mm(not to scale)



Characteristics list

Maximum operating voltage (V.DC)	Capacitance (F)	Capacitance tolerance (F)	Internal resistance (Initial specified value) (Ω) at 1 kHz	Recommended discharge current	Parts number	Case code	Mass (Reference value) (g)	Min. packaging q'ty (pcs)
5.5	0.22	0.176 to 0.396	≤ 75	300 μA or less	EECF5R5U224	A	2.6	200
	0.47	0.376 to 1.41	≤ 30	1 mA or less	EECF5R5U474	B	7.9	100
	1.0	0.80 to 1.80	≤ 30	1 mA or less	EECF5R5U105	B	8.1	100
	1.5	1.20 to 2.70	≤ 30	1 mA or less	EECF5R5U155	B	8.1	100

Note : Do not use reflow soldering. (IR, Atmosphere heating methods, etc.)
Please refer to the page of "Application guidelines".

OUR CERTIFICATE

DiGi provide top-quality products and perfect service for customer worldwide through standardization, technological innovation and continuous improvement. DiGi through third-party certification, we stricly control the quality of products and services. Welcome your RFQ to

Email: Info@DiGi-Electronics.com



Tel: +00 852-30501935

RFQ Email: Info@DiGi-Electronics.com

DiGi is a global authorized distributor of electronic components.