

# ELL-4LM120M Datasheet

[www.digi-electronics.com](http://www.digi-electronics.com)



<https://www.DiGi-Electronics.com>

|                              |   |
|------------------------------|---|
| DiGi Electronics Part Number | ELL-4LM120M-DG  |
| Manufacturer                 | <a href="#">Panasonic Electronic Components</a>                   |
| Manufacturer Product Number  | ELL-4LM120M   |
| Description                  | FIXED IND 12UH 530MA 200MOHM SMD                                  |
| Detailed Description         | 12 $\mu$ H Shielded Wirewound Inductor 530 mA 200mOhm Nonstandard |



Tel: +00 852-30501935

RFQ Email: [Info@DiGi-Electronics.com](mailto:Info@DiGi-Electronics.com)

DiGi is a global authorized distributor of electronic components.



## Purchase and inquiry

Manufacturer Product Number:

ELL-4LM120M

Series:

M

Type:

Wirewound

Inductance:

12  $\mu$ H

Current Rating (Amps):

530 mA

Shielding:

Shielded

Q @ Freq:

-

Ratings:

-

Inductance Frequency - Test:

100 kHz

Package / Case:

Nonstandard

Size / Dimension:

0.150" L x 0.150" W (3.80mm x 3.80mm)

Base Product Number:

ELL-4LM

Manufacturer:

Panasonic Electronic Components

Product Status:

Obsolete

Material - Core:

-

Tolerance:

$\pm$ 20%

Current - Saturation (Isat):

-

DC Resistance (DCR):

200mOhm

Frequency - Self Resonant:

-

Operating Temperature:

-

Mounting Type:

Surface Mount

Supplier Device Package:

-

Height - Seated (Max):

0.071" (1.80mm)

## Environmental & Export classification

Moisture Sensitivity Level (MSL):

1 (Unlimited)

HTSUS:

8504.50.8000

ECCN:

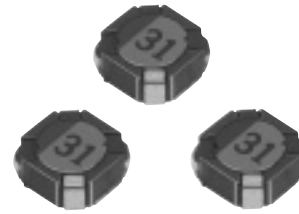
EAR99

SMD Choke Coils

Singapore

Series: **M**

Type: **ELL4□M**



Type ELL4□M

■ Features

- Magnetic shielded structure
- Low DC resistance and large current capability
- Shock resistant
- Available on tape and reel for automatic insertion

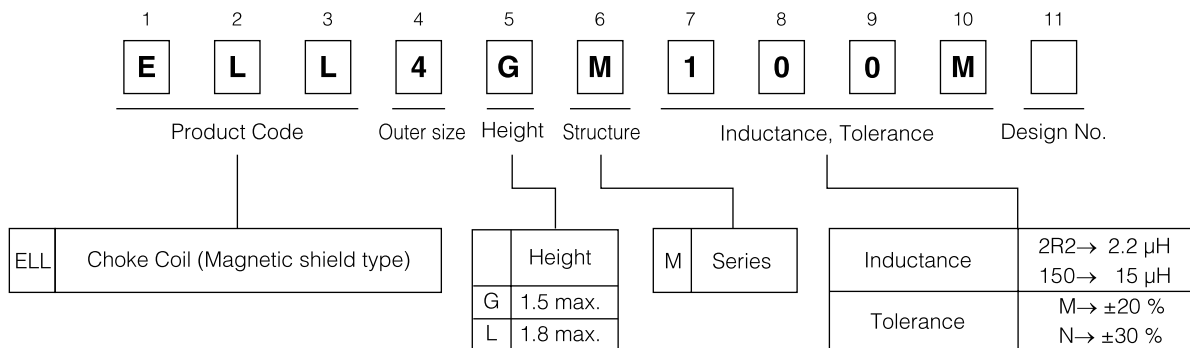
■ Recommended Applications

- DC/DC converter circuitry for computer peripherals and cellular hand sets.
- Chopper circuit decoupling chokes in DC/DC converter circuitry

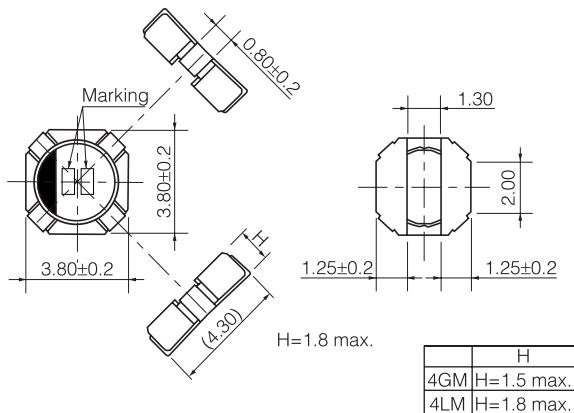
■ Standard Packing Quantity

- 4GM : 2000 pcs./Reel, 4LM : 3000 pcs./Reel

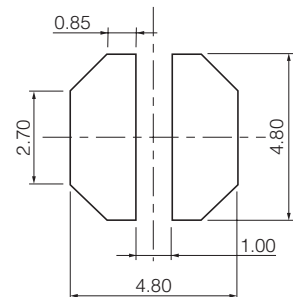
■ Explanation of Part Numbers



■ Dimensions in mm (not to scale)



■ Recommended land patterns in mm (not to scale)



**NEW**

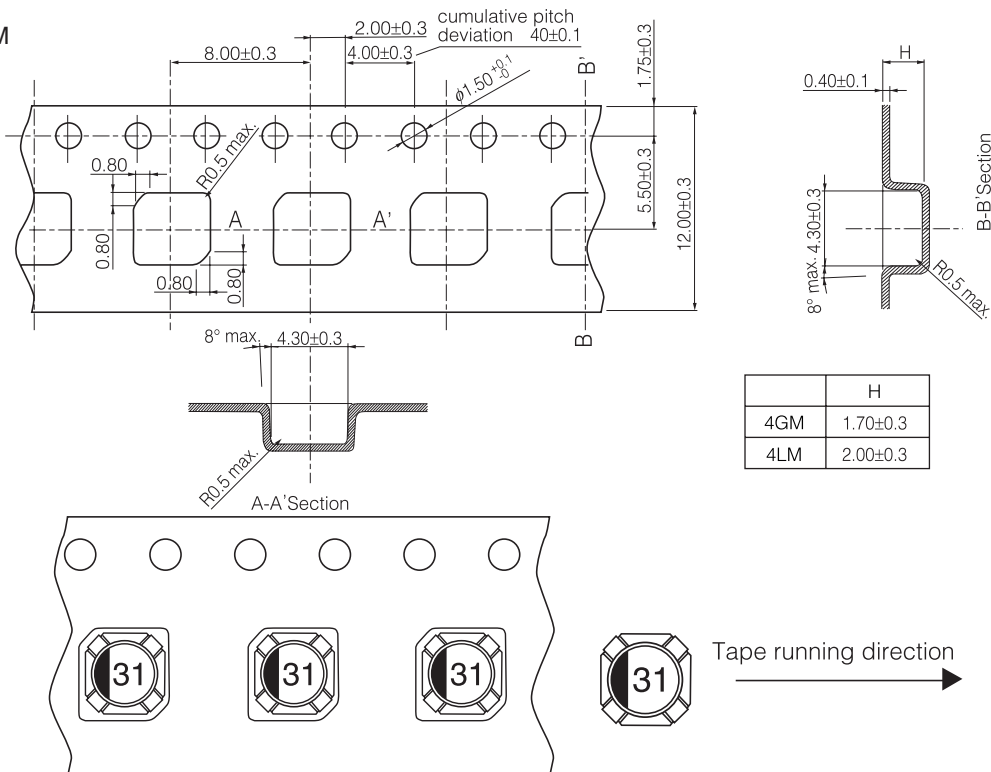
■ Standard Parts

| Part Number | Inductance<br>(100kHz) |       | R <sub>DC</sub><br>(at 20 °C) |       | * Rated Current<br>(mA max.) | Marking |
|-------------|------------------------|-------|-------------------------------|-------|------------------------------|---------|
|             | (μH)                   | Tol.  | (mΩ)                          | Tol.  |                              |         |
| ELL4GM2R4N  | 2.4                    | ±30 % | 66                            | ±20 % | 1150                         | 12      |
| ELL4GM3R6N  | 3.6                    |       | 100                           |       | 950                          | 17      |
| ELL4GM4R7N  | 4.7                    |       | 120                           |       | 800                          | 21      |
| ELL4GM5R6N  | 5.6                    |       | 130                           |       | 750                          | 23      |
| ELL4GM6R8N  | 6.8                    |       | 180                           |       | 640                          | 26      |
| ELL4GM8R2N  | 8.2                    |       | 220                           |       | 580                          | 29      |
| ELL4GM100M  | 10.0                   | ±20%  | 260                           | ±20 % | 540                          | 31      |
| ELL4GM180M  | 18.0                   |       | 490                           |       | 400                          | 35      |
| ELL4GM220M  | 22.0                   |       | 560                           |       | 350                          | 36      |
| ELL4GM270M  | 27.0                   |       | 640                           |       | 330                          | 37      |
| ELL4GM330M  | 33.0                   |       | 700                           |       | 300                          | 39      |
| ELL4LM1R0N  | 1.0                    |       | ±30%                          |       | 26                           | ±20 %   |
| ELL4LM1R5N  | 1.5                    | 31    |                               | 1600  | 06                           |         |
| ELL4LM2R0N  | 2.0                    | 43    |                               | 1350  | 10                           |         |
| ELL4LM2R7N  | 2.7                    | 56    |                               | 1250  | 13                           |         |
| ELL4LM3R3N  | 3.3                    | 62    |                               | 1100  | 16                           |         |
| ELL4LM4R7N  | 4.7                    | 90    |                               | 900   | 21                           |         |
| ELL4LM6R2N  | 6.2                    | ±20%  | 140                           | ±20 % | 800                          | 25      |
| ELL4LM7R5N  | 7.5                    |       | 150                           |       | 720                          | 27      |
| ELL4LM100M  | 10.0                   |       | 180                           |       | 690                          | 31      |
| ELL4LM120M  | 12.0                   |       | 200                           |       | 530                          | 32      |
| ELL4LM150M  | 15.0                   |       | 300                           |       | 500                          | 33      |
| ELL4LM180M  | 18.0                   |       | 320                           |       | 460                          | 35      |
| ELL4LM220M  | 22.0                   | ±20%  | 380                           | ±20 % | 430                          | 36      |
| ELL4LM270M  | 27.0                   |       | 420                           |       | 370                          | 37      |

\* Current: This indicates the value of current when the inductance is 70% of nominal value and case temperature has risen 45 °C (at 20°C)

■ Embossed Carrier Tape Dimensions in mm (not to scale)

● 4GM, 4LM



Design and specifications are each subject to change without notice. Ask factory for the current technical specifications before purchase and/or use. Should a safety concern arise regarding this product, please be sure to contact us immediately.



## OUR CERTIFICATE

DiGi provide top-quality products and perfect service for customer worldwide through standardization, technological innovation and continuous improvement. DiGi through third-party certification, we stricly control the quality of products and services. Welcome your RFQ to

Email: [Info@DiGi-Electronics.com](mailto:Info@DiGi-Electronics.com)



Tel: +00 852-30501935

RFQ Email: [Info@DiGi-Electronics.com](mailto:Info@DiGi-Electronics.com)

DiGi is a global authorized distributor of electronic components.