

FK6K02010L Datasheet



<https://www.DiGi-Electronics.com>

DiGi Electronics Part Number	FK6K02010L-DG
Manufacturer	Panasonic Electronic Components
Manufacturer Product Number	FK6K02010L
Description	MOSFET N-CH 20V 4.5A WSMINI6
Detailed Description	N-Channel 20 V 4.5A (Ta) 700mW (Ta) Surface Mount WSMINI6-F1-B



Tel: +00 852-30501935

RFQ Email: Info@DiGi-Electronics.com

DiGi is a global authorized distributor of electronic components.

Purchase and inquiry

Manufacturer Product Number:

FK6K02010L

Series:

-

FET Type:

N-Channel

Drain to Source Voltage (Vdss):

20 V

Drive Voltage (Max Rds On, Min Rds On):

2.5V, 4V

Vgs(th) (Max) @ Id:

1.3V @ 1mA

Input Capacitance (Ciss) (Max) @ Vds:

1730 pF @ 10 V

Power Dissipation (Max):

700mW (Ta)

Mounting Type:

Surface Mount

Package / Case:

6-SMD, Flat Leads

Manufacturer:

Panasonic Electronic Components

Product Status:

Obsolete

Technology:

MOSFET (Metal Oxide)

Current - Continuous Drain (Id) @ 25°C:

4.5A (Ta)

Rds On (Max) @ Id, Vgs:

17.5mOhm @ 2A, 4.5V

Vgs (Max):

±10V

FET Feature:

-

Operating Temperature:

150°C (TJ)

Supplier Device Package:

WSMini6-F1-B

Environmental & Export classification

RoHS Status:

RoHS Compliant

ECCN:

EAR99

Moisture Sensitivity Level (MSL):

1 (Unlimited)

HTSUS:

8541.21.0095

Notification about the transfer of the semiconductor business

The semiconductor business of Panasonic Corporation was transferred on September 1, 2020 to Nuvoton Technology Corporation (hereinafter referred to as "Nuvoton"). Accordingly, Panasonic Semiconductor Solutions Co., Ltd. became under the umbrella of the Nuvoton Group, with the new name of Nuvoton Technology Corporation Japan (hereinafter referred to as "NTCJ").

In accordance with this transfer, semiconductor products will be handled as NTCJ-made products after September 1, 2020. However, such products will be continuously sold through Panasonic Corporation.

Publisher of this Document is NTCJ.

If you would find description "Panasonic" or "Panasonic semiconductor solutions", please replace it with NTCJ.

※ Except below description page

"Request for your special attention and precautions in using the technical information and semiconductors described in this book"

Nuvoton Technology Corporation Japan



MOS FET
 FK6K02010L

FK6K02010L

Silicon N-channel MOS FET

For switching

■ Features

- Low drain-source On-state Resistance: $R_{DS(on)typ.} = 13\text{ m}\Omega$ ($V_{GS} = 4.5\text{ V}$)
- Low drive voltage: 2.5 V drive
- Halogen-free / RoHS compliant
 (EU RoHS / UL-94 V-0 / MSL : Level 1 compliant)

■ Marking Symbol : TA

■ Packaging

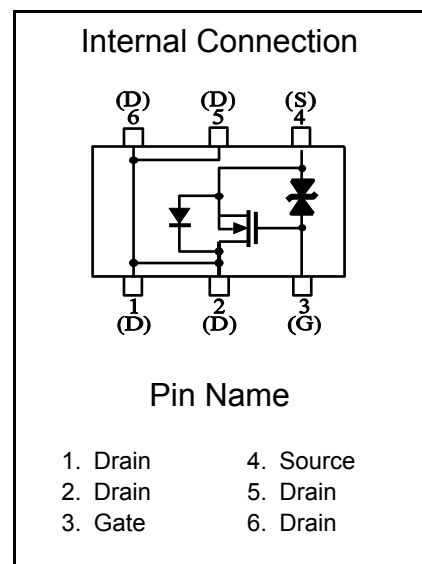
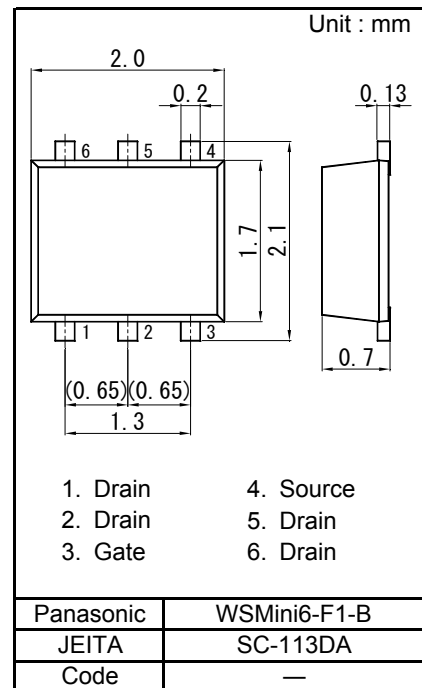
Embossed type (Thermo-compression sealing): 3 000 pcs / reel (standard)

■ Absolute Maximum Ratings $T_a = 25\text{ }^\circ\text{C}$

Parameter	Symbol	Rating	Unit
Drain-source surrender voltage	VDSS	20	V
Gate-source surrender voltage	VGSS	± 10	V
Drain current	ID	4.5	A
Peak drain current ^{*1}	IDp	18	A
Power dissipation ^{*2}	PD	700	mW
Channel temperature	Tch	150	$^\circ\text{C}$
Operating ambient temperature	Topr	-40 to +85	$^\circ\text{C}$
Storage temperature	Tstg	-55 to +150	$^\circ\text{C}$

Note) *1 $t = 10\text{ }\mu\text{s}$, Duty Cycle < 1%

*2 Measuring on Glass epoxy board (25.4 × 25.4 × 1.0 mm) coated with copper foil, which has more than 300 mm² Absolute maximum rating without heat sink for PD is 150 mW.





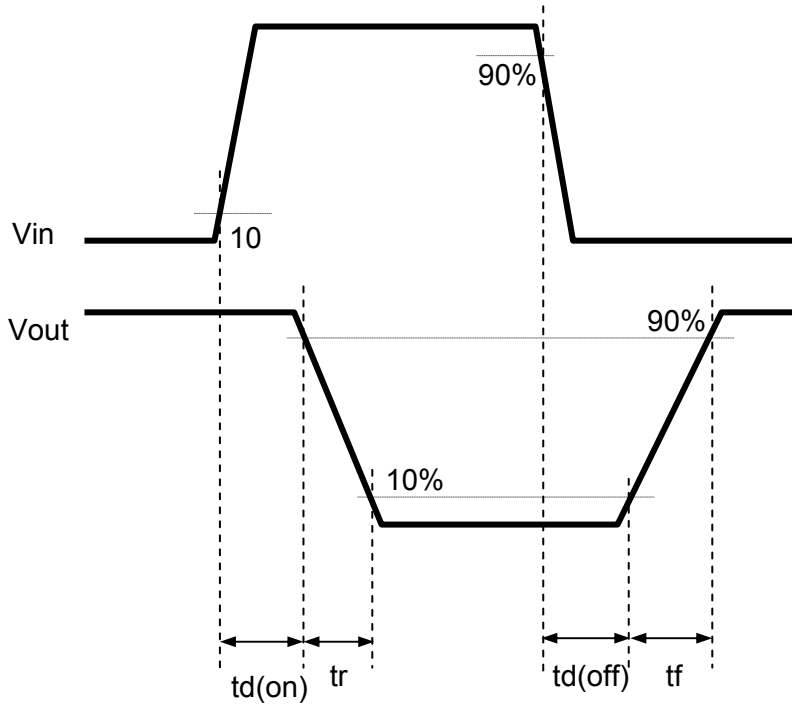
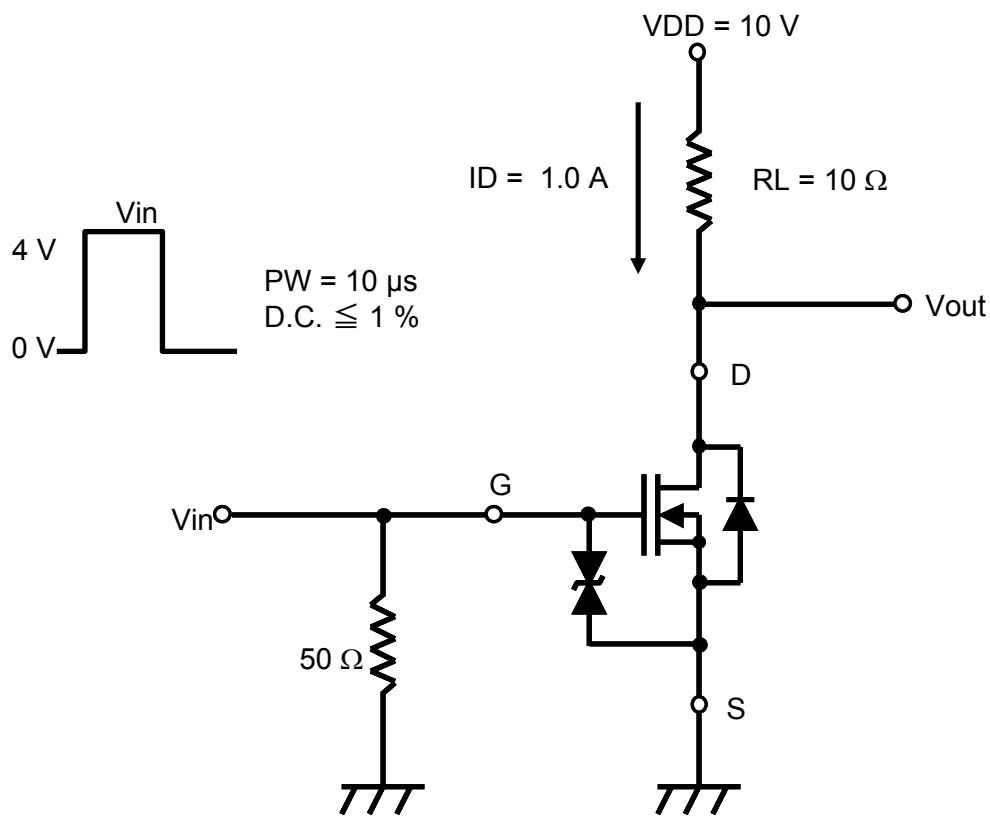
■ Electrical Characteristics Ta = 25 °C ± 3 °C

Parameter	Symbol	Conditions	Min	Typ	Max	Unit
Drain-source surrender voltage	VDSS	ID = 1 mA, VGS = 0	20			V
Drain-source cutoff current	IDSS	VDS = 20 V, VGS = 0			1.0	μA
Gate-source cutoff current	IGSS	VGS = ±8 V, VDS = 0			±10	μA
Gate threshold voltage	Vth	ID = 1.0 mA, VDS = 10.0 V	0.4	0.85	1.3	V
Drain-source ON resistance	RDS(ON)1	ID = 2.0 A, VGS = 4.5 V		13	17.5	mΩ
	RDS(ON)2	ID = 1.0 A, VGS = 2.5 V		16	28	
Forward transfer admittance	Yfs	ID = 1.0 A, VDS = 10 V	3.0			S
Short-circuit input capacitance (Common source)	Ciss	VDS = 10 V, VGS = 0, f = 1 MHz		1 730		pF
Short-circuit output capacitance (Common source)	Coss			155		pF
Reverse transfer capacitance (Common source)	Crss			150		pF
Turn-on delay time ^{*1}	td(on)				19	
Rise time ^{*1}	tr	VDD = 10 V		30		ns
Turn-off delay time ^{*1}	td(off)	VGS = 0 to 4 V		150		ns
Fall time ^{*1}	tf	ID=1.0A		75		ns

Note) 1. Measuring methods are based on JAPANESE INDUSTRIAL STANDARD JIS C 7030 Measuring methods for transistors.

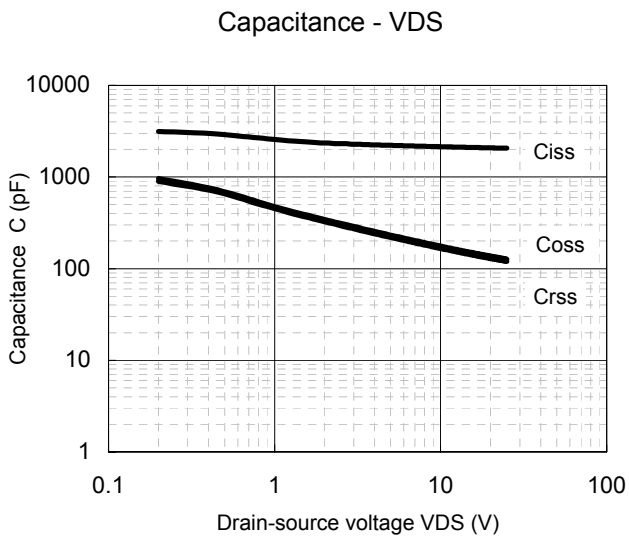
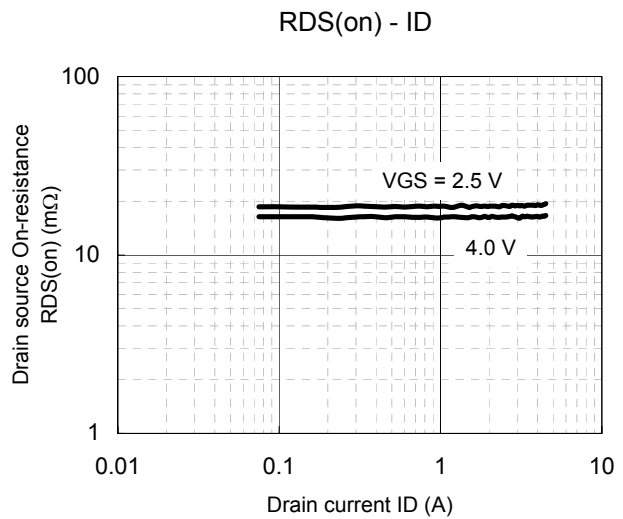
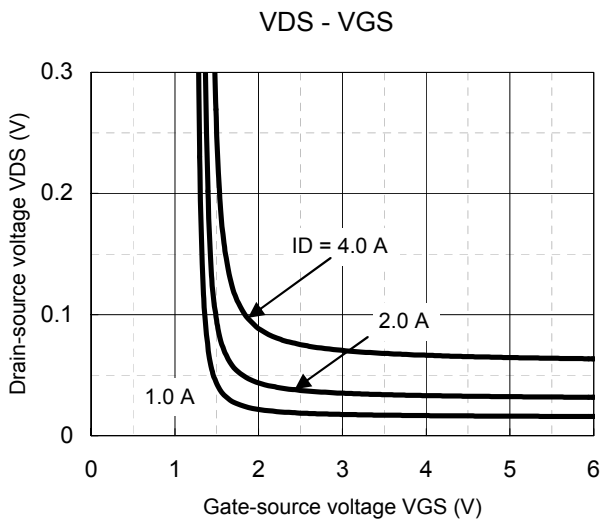
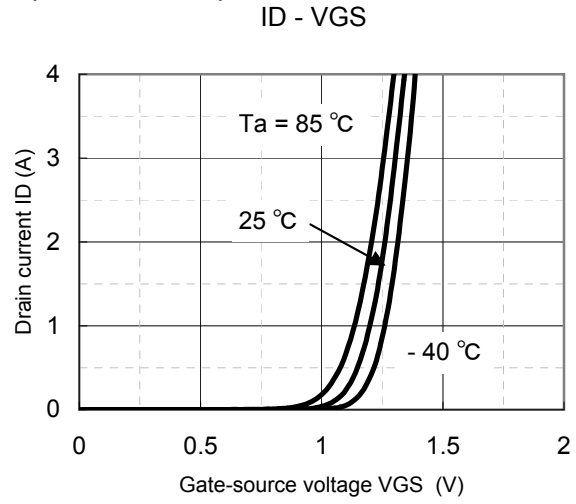
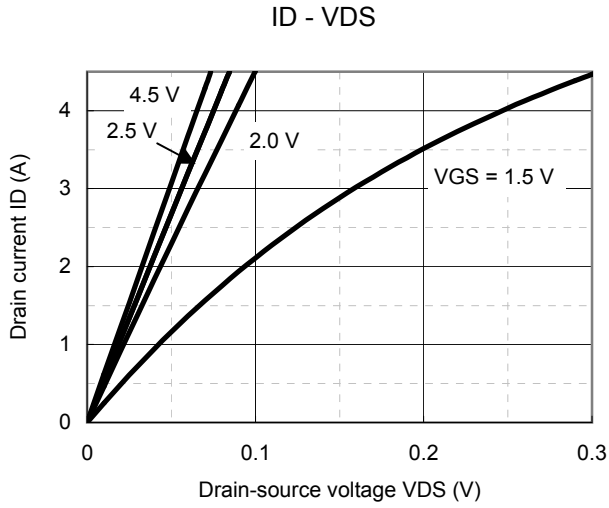
2. *1 Measurement circuit for Turn-on Delay Time/Rise Time/Turn-off Delay Time/Fall Time

*1 Measurement circuit for Turn-on Delay Time/Rise Time/Turn-off Delay Time/Fall Time





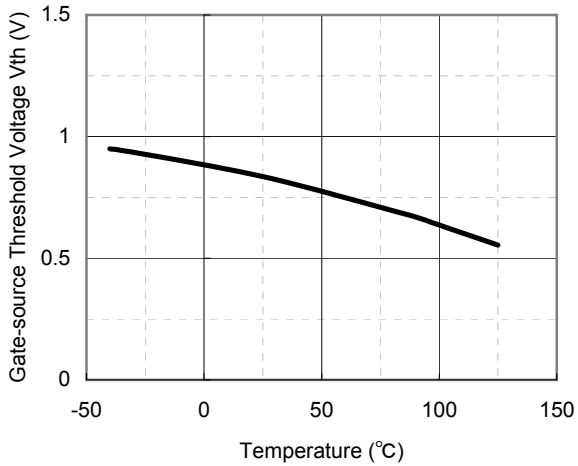
Technical Data (reference)



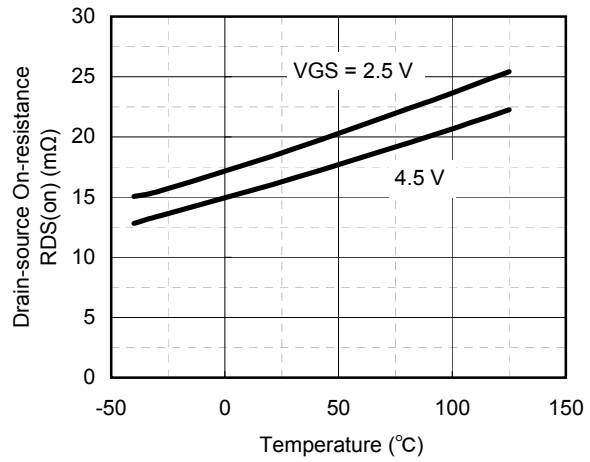


Technical Data (reference)

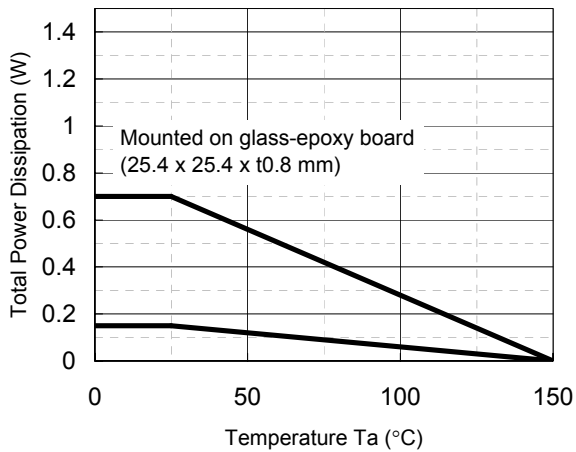
Vth - Ta



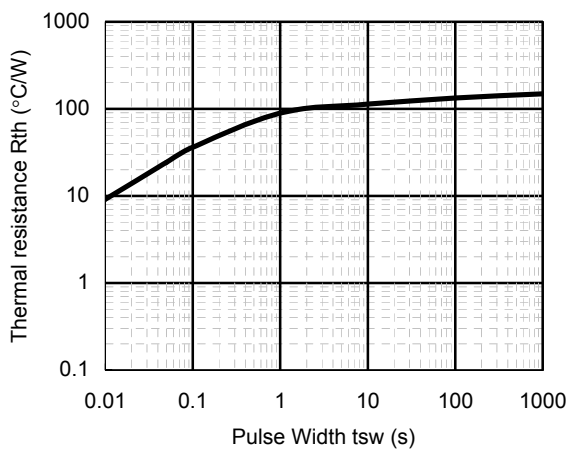
RDS(on) - Ta



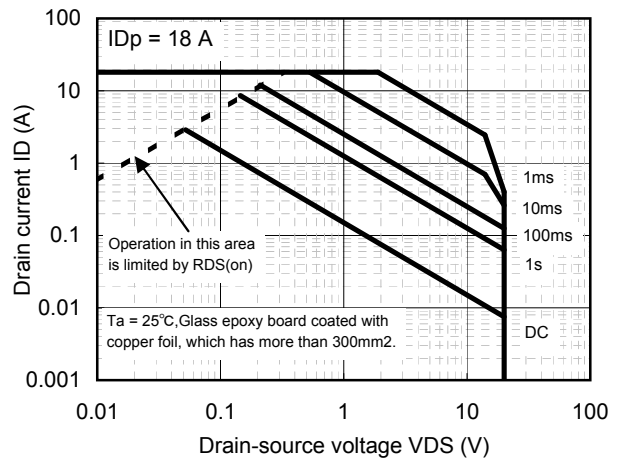
PD - Ta



Rth - tsw



Safe Operating Area

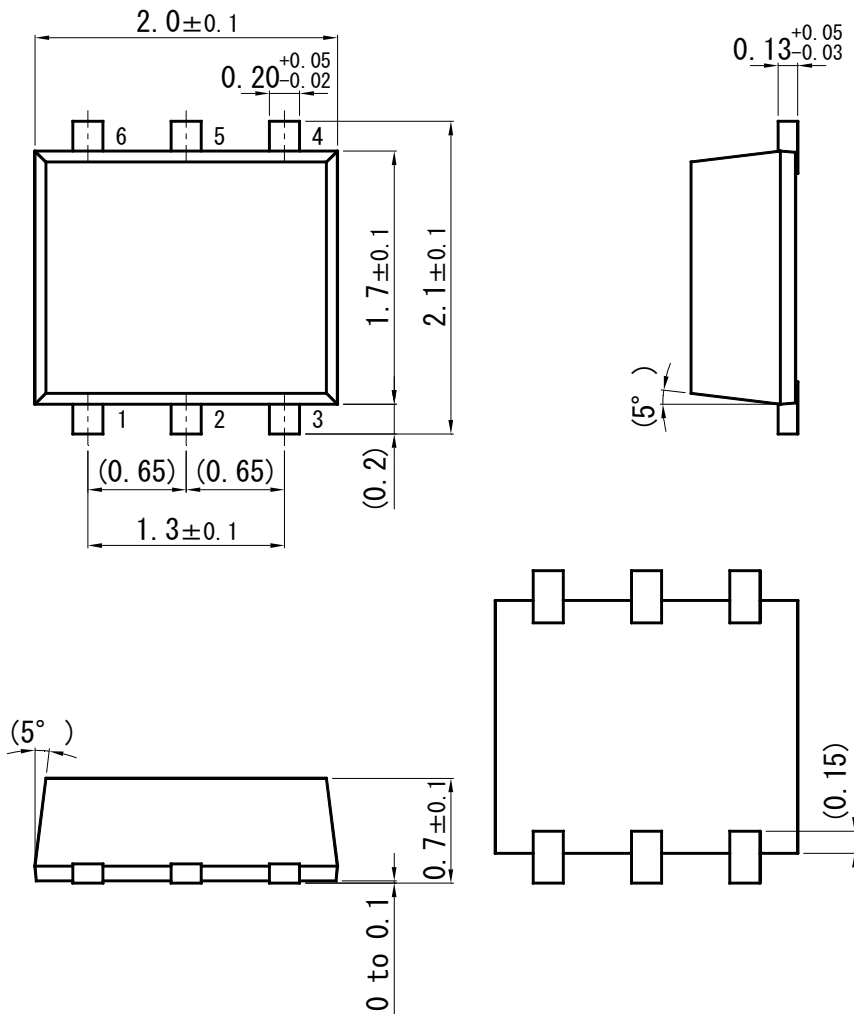




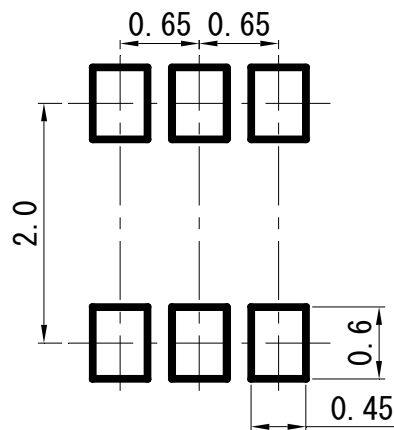
MOS FET
 FK6K02010L

WSMini6-F1-B

Unit: mm



■ Land Pattern (Reference) (Unit : mm)



Request for your special attention and precautions in using the technical information and semiconductors described in this book

- (1) If any of the products or technical information described in this book is to be exported or provided to non-residents, the laws and regulations of the exporting country, especially, those with regard to security export control, must be observed.
- (2) The technical information described in this book is intended only to show the main characteristics and application circuit examples of the products. No license is granted in and to any intellectual property right or other right owned by Panasonic Corporation, Nuvoton Technology Corporation Japan or any other company. Therefore, no responsibility is assumed by our company as to the infringement upon any such right owned by any other company which may arise as a result of the use of technical information de-scribed in this book.
- (3) The products described in this book are intended to be used for general applications (such as office equipment, communications equipment, measuring instruments and household appliances), or for specific applications as expressly stated in this book.
Please consult with our sales staff in advance for information on the following applications, moreover please exchange documents separately on terms of use etc.: Special applications (such as for in-vehicle equipment, airplanes, aerospace, automotive equipment, traffic signaling equipment, combustion equipment, medical equipment and safety devices) in which exceptional quality and reliability are required, or if the failure or malfunction of the products may directly jeopardize life or harm the human body.
Unless exchanging documents on terms of use etc. in advance, it is to be understood that our company shall not be held responsible for any damage incurred as a result of or in connection with your using the products described in this book for any special application.
- (4) The products and product specifications described in this book are subject to change without notice for modification and/or improvement. At the final stage of your design, purchasing, or use of the products, therefore, ask for the most up-to-date Product Standards in advance to make sure that the latest specifications satisfy your requirements.
- (5) When designing your equipment, comply with the range of absolute maximum rating and the guaranteed operating conditions (operating power supply voltage and operating environment etc.). Especially, please be careful not to exceed the range of absolute maximum rating on the transient state, such as power-on, power-off and mode-switching. Otherwise, we will not be liable for any defect which may arise later in your equipment.
Even when the products are used within the guaranteed values, take into the consideration of incidence of break down and failure mode, possible to occur to semiconductor products. Measures on the systems such as redundant design, arresting the spread of fire or preventing glitch are recommended in order to prevent physical injury, fire, social damages, for example, by using the products.
- (6) Comply with the instructions for use in order to prevent breakdown and characteristics change due to external factors (ESD, EOS, thermal stress and mechanical stress) at the time of handling, mounting or at customer's process. We do not guarantee quality for disassembled products or the product re-mounted after removing from the mounting board.
When using products for which damp-proof packing is required, satisfy the conditions, such as shelf life and the elapsed time since first opening the packages.
- (7) When reselling products described in this book to other companies without our permission and receiving any claim of request from the resale destination, please understand that customers will bear the burden.
- (8) This book may be not reprinted or reproduced whether wholly or partially, without the prior written permission of our company.

OUR CERTIFICATE

DiGi provide top-quality products and perfect service for customer worldwide through standardization, technological innovation and continuous improvement. DiGi through third-party certification, we stricly control the quality of products and services. Welcome your RFQ to

Email: Info@DiGi-Electronics.com



Tel: +00 852-30501935

RFQ Email: Info@DiGi-Electronics.com

DiGi is a global authorized distributor of electronic components.