

www.digi-electronics.com



CJUDCAPIW-X Datasheet

DiGi Electronics Part Number	CJUDCAPIW-X-DG
Manufacturer	Panduit Corp
Manufacturer Product Number	CJUDCAPIW-X
Description	CAT6 UP/DOWN 45 DEGREE TG WIRECA
Detailed Description	Insert To White

<https://www.DiGi-Electronics.com>

This model CJUDCAPIW-X is available at DiGi Electronics.

DiGi Electronics offers a global database of semiconductor and electronic component datasheets. We welcome your inquiries regarding pricing, lead time, or other product-related questions.

 [Request a Quote](#)

 [Datasheet Search](#)

Tel: +00 852-30501935

RFQ Email: Info@DiGi-Electronics.com

DiGi is a global authorized distributor of electronic components.

Purchase and inquiry

Manufacturer Product Number:

CJUDCAPIW-X

Series:

Mini-Com®

Style:

Modular

Interior Type (Adapter End):

-

Interior Housing Material:

Polycarbonate (PC)

Interior Housing Color:

White

Interior Contact Material:

-

Interior Contact Finish:

-

Ratings:

Cat6

Features:

-

Interior Contact Finish Thickness:

-

Manufacturer:

Panduit Corp

Product Status:

Active

Exterior Type (Adapter End):

-

Exterior Housing Material:

Polycarbonate (PC)

Exterior Housing Color:

White

Exterior Contact Material:

-

Exterior Contact Finish:

-

Operating Temperature:

-

Specifications:

-

Exterior Contact Finish Thickness:

-

Base Product Number:

CJUDCA

THIS COPY IS PROVIDED ON A RESTRICTED BASIS AND IS NOT TO BE USED IN ANY WAY DETRIMENTAL TO THE INTERESTS OF PANDUIT CORP.

NOTES:

1. VISIT OUR ON-LINE CATALOG AT WWW.PANDUIT.COM FOR A LIST OF CURRENT PARTS APPLICABLE FOR USE WITH THIS PRODUCT.
2. DIMENSIONS IN [] ARE METRIC.
3. WEIGHT: .45 LB/100 PCS (203 g/100 PCS).
4. TERMINATES ALL CJ**88TG** UTP JACK MODULES.
5. WIRE CAP TERMINATES CABLES UP OR DOWN (VERTICALLY).
6. TERMINATES 22-26 AWG SOLID OR STRANDED UTP CABLE.
7. RoHS COMPLIANT.

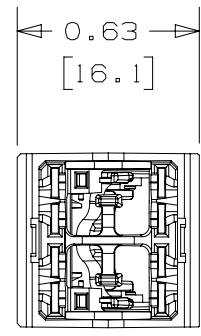
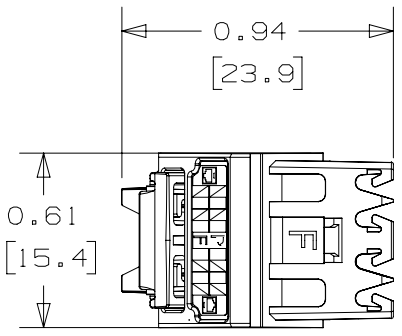
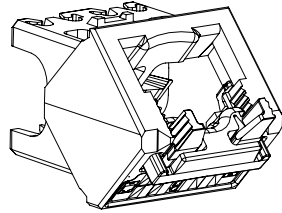
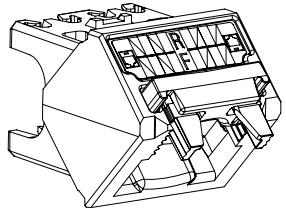


TABLE 1 - PART NUMBERS			
PART NUMBER	ASSEMBLY COLOR	PERFORMANCE CATEGORY (TIA)	
		ISO	ISO
CJUDCAPBU-%	BLUE	CATEGORY 6A	CLASS EA
CJUDCAPIW-%	INTERNATIONAL WHITE	CATEGORY 6	CLASS E
CJUDCAPRD-%	RED	CATEGORY 5E	CLASS D

WHERE % -C IS FOR BULK PACK OF 100 AND -X IS FOR BULK PACK OF 10

PART NUMBER		SEE TABLE 1	
TITLE			
MINI-COM™ TG™ 45° UP-DOWN WIRE CAP CUSTOMER DRAWING			
ITEM REVISION NAME		00153LAE/04	
DATASET FILE NAME		00153LAE_DC02/04A	
		THIRD ANGLE PROJECTION	
MATERIAL		POLYCARBONATE	
DRAWING NUMBER		00153LAE-02	
DRAWN BY		DATE	CHK
BJN		10-14-16	JAV
SCALE		NONE	
SHEET 1 OF 1		A	

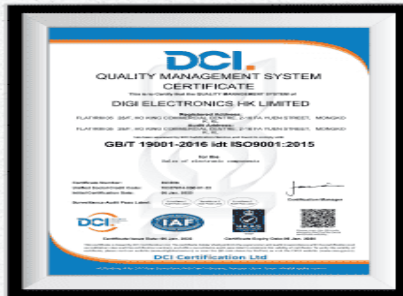
A-SIZE CUSTOMER

REV	DATE	BY	CHK	APR	DESCRIPTION	ECN
5	11-12-18	BJN	MDJR	TMBA	UPDATED	00153LAE-02
4	4-17-18	BJN	ROJC	TMBA	UPDATED	00153LAE-02

OUR CERTIFICATE

DiGi provide top-quality products and perfect service for customer worldwide through standardization, technological innovation and continuous improvement. DiGi through third-party certification, we stricy control the quality of products and services. Welcome your RFQ to

Email: Info@DiGi-Electronics.com



Tel: +00 852-30501935

RFQ Email: Info@DiGi-Electronics.com

DiGi is a global authorized distributor of electronic components.