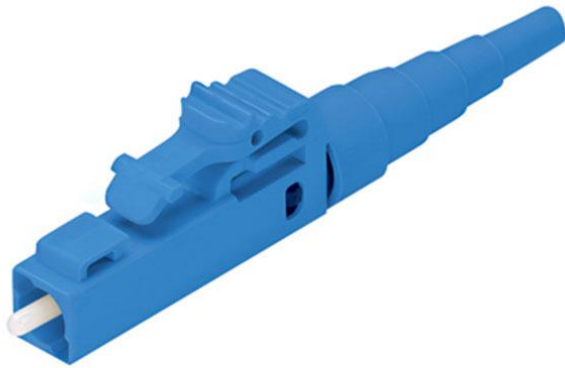


[www.digi-electronics.com](http://www.digi-electronics.com)



<https://www.DiGi-Electronics.com>

# FLCSSBUY Datasheet

DiGi Electronics Part Number	FLCSSBUY-DG
Manufacturer	<a href="#">Panduit Corp</a>
Manufacturer Product Number	FLCSSBUY
Description	CONN FIBER LC PLUG SIMPLEX 125UM

**Detailed Description** Fiber Optic Plug Connector LC Simplex 125µm Blue

This model FLCSSBUY is available at DiGi Electronics.

DiGi Electronics offers a global database of semiconductor and electronic component datasheets. We welcome your inquiries regarding pricing, lead time, or other product-related questions.

 [Request a Quote](#)

 [Datasheet Search](#)

Tel: +00 852-30501935

RFQ Email: [Info@DiGi-Electronics.com](mailto:Info@DiGi-Electronics.com)

DiGi is a global authorized distributor of electronic components.

## Purchase and inquiry

Manufacturer Product Number:

FLCSSBUY

Series:

OptiCam®

Connector Style:

LC

Simplex/Duplex:

Simplex

Fiber Core Diameter:

9µm

Cable Diameter:

2.0mm

Fastening Type:

Latch Lock

Boot Color:

Blue

Features:

Dust Cap, Strain Relief

Reflection:

-20dB

Ferrule Material:

Zirconia, Ceramic

Operating Temperature:

Manufacturer:

Panduit Corp

Product Status:

Active

Connector Type:

Plug

Mode:

Singlemode

Fiber Cladding Diameter:

125µm

Mounting Type:

Free Hanging (In-Line)

Housing Color:

Blue

Ingress Protection:

-

Attenuation - Typ:

-0.3dB

Housing Material:

Plastic

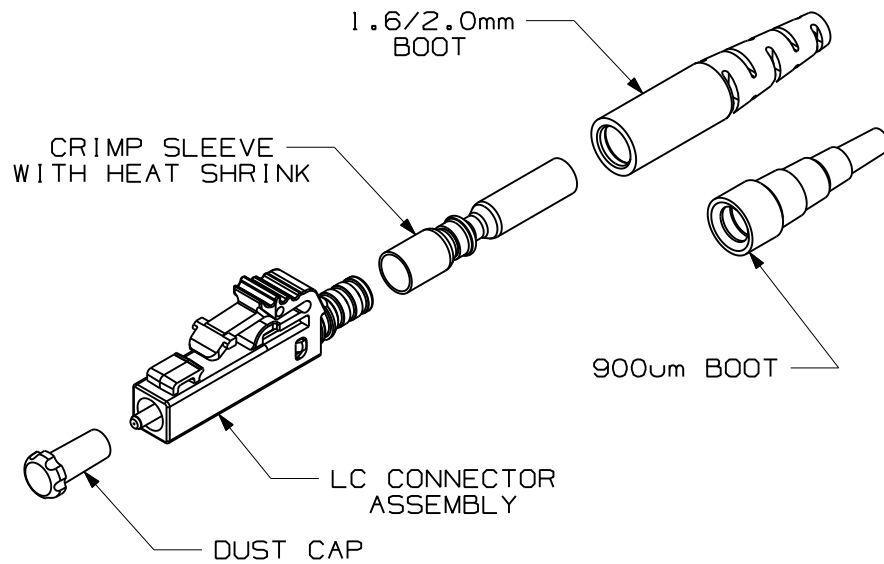
Body Material:

Plastic

Mating Cycles:

# FLCSSBUY Panduit Corp CONN FIBER LC PLUG SIMPLEX 125UM

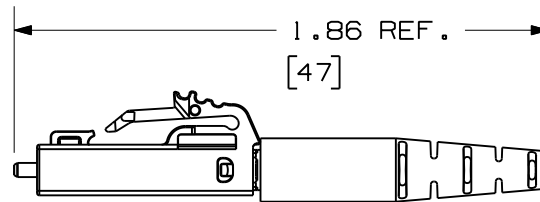
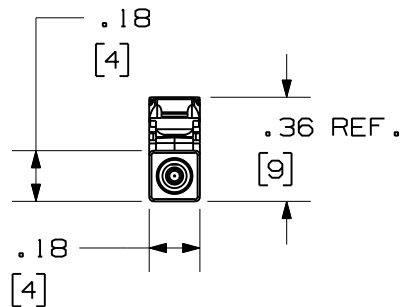
THIS COPY IS PROVIDED ON A RESTRICTED BASIS AND IS NOT TO BE USED IN ANY WAY DETRIMENTAL TO THE INTERESTS OF PANDUIT CORP.



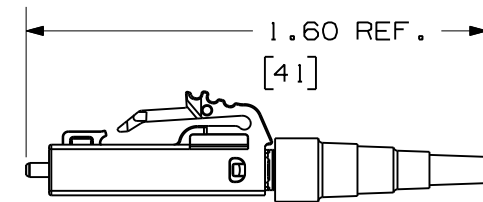
PANDUIT PART NUMBER	TYPE	FOR USE WITH
FLCSSBUY	SINGLEMODE	9/125um FIBER
FLCSMBLY	MULTIMODE	50/125um FIBER
FLCSMEIY	MULTIMODE	62.5/125um FIBER

**NOTES:**

1. SEE CATALOG FOR ADDITIONAL PART NUMBER SUFFIXES TO INDICATE COLOR AND/OR PACKAGE QUANTITY.
2. ACCEPTS 1.6/2.0mm OR 900um BUFFERED, 9/125um SINGLEMODE, 50/125um MULTIMODE OR 62.5/125um MULTIMODE GLASS OPTICAL FIBER.
3. FULLY COMPLIES WITH THE FIBER OPTIC CONNECTOR PERFORMANCE REQUIREMENTS AS SPECIFIED BY TIA/EIA-568-B.3.
4. MATERIAL:  
 BODY/HARDWARE: PLASTIC  
 BOOT: THERMOPLASTIC RUBBER  
 FERRULE: ZIRCONIA CERAMIC
5. DIMENSIONS IN BRACKETS ARE METRIC [mm].
6. WEIGHT PER 10 PIECES: .037 lb [16.7g]



LC CONNECTOR WITH 1.6/2.0mm BOOT



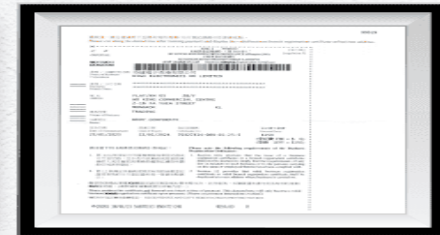
LC CONNECTOR WITH 900um BOOT

REV	DATE	BY	CHK	DESCRIPTION	ECN	R	CUST	SUP	OTH	FIBER OPTIC SINGLEMODE/MULTIMODE SIMPLEX LC CONNECTOR CUSTOMER DRAWING		
2	09-01-11	MC	MTV	RELEASED TO PRODUCTION	01371-49	MTV	RWB			<p><b>PANDUIT</b>™ CORP. TINLEY PARK, ILL 60477</p>	<p>THIRD ANGLE PROJECTION</p>	
											<p>ALL DIMENSIONS ARE GIVEN IN INCHES UNLESS OTHERWISE SPECIFIED.</p> <p>DIMENSIONAL TOLERANCES ARE: (.X) ±.03   (.XXX) ±.010   (.3) ANGLES</p>	<p>DRAWING FILENAME M01371AB_DC-Y/10A</p> <p>SCALE NONE</p>
										<p>DRAWN BY MC</p> <p>DATE 03-07-07</p> <p>CHK'D JDK</p>	<p>REVIEW DRAWING NUMBERS AS NOTED</p>	<p>PART NO. FLCSSBUY FLCSMBLY/FLCSMEIY</p> <p>DRAWING NO. 01371-49</p> <p>SIZE A</p>

# OUR CERTIFICATE

DiGi provide top-quality products and perfect service for customer worldwide through standardization, technological innovation and continuous improvement. DiGi through third-party certification, we stricy control the quality of products and services. Welcome your RFQ to

Email: [Info@DiGi-Electronics.com](mailto:Info@DiGi-Electronics.com)



Tel: +00 852-30501935

RFQ Email: [Info@DiGi-Electronics.com](mailto:Info@DiGi-Electronics.com)

DiGi is a global authorized distributor of electronic components.