

www.digi-electronics.com



LCAX2/0-12H-X Datasheet

DiGi Electronics Part Number	LCAX2/0-12H-X-DG
Manufacturer	Panduit Corp
Manufacturer Product Number	LCAX2/0-12H-X
Description	CONN TERM RECT TONG 2/0 AWG #1/2

<https://www.DiGi-Electronics.com>

Detailed Description

Terminal Connector Rectangular Rectangular Tongue 2/0 AWG 1/2 Stud

This model LCAX2/0-12H-X is available at DiGi Electronics.

DiGi Electronics offers a global database of semiconductor and electronic component datasheets. We welcome your inquiries regarding pricing, lead time, or other product-related questions.

 [Request a Quote](#)

 [Datasheet Search](#)

Tel: +00 852-30501935

RFQ Email: Info@DiGi-Electronics.com

DiGi is a global authorized distributor of electronic components.

Purchase and inquiry

Manufacturer Product Number:

LCAX2/0-12H-X

Series:

Pan-Lug™

Terminal Type:

Rectangular Tongue

Terminal Style:

Single Stud Hole

Length - Overall:

-

Mounting Type:

Free Hanging (In-Line), 45° Angle

Wire Gauge:

2/0 AWG

Features:

-

Contact Finish:

Electro-Tin

Diameter - Barrel ID:

0.510" (12.95mm)

Diameter - Ring ID:

0.530" (13.46mm)

Manufacturer:

Panduit Corp

Product Status:

Active

Stud/Tab Size:

1/2 Stud

Tab Thickness:

0.130" (3.30mm)

Width - Outer Edges:

0.960" (24.38mm)

Termination:

Crimp, Barrel

Insulation:

Non-Insulated

Color:

Black

Contact Material:

Copper

Diameter - Barrel OD:

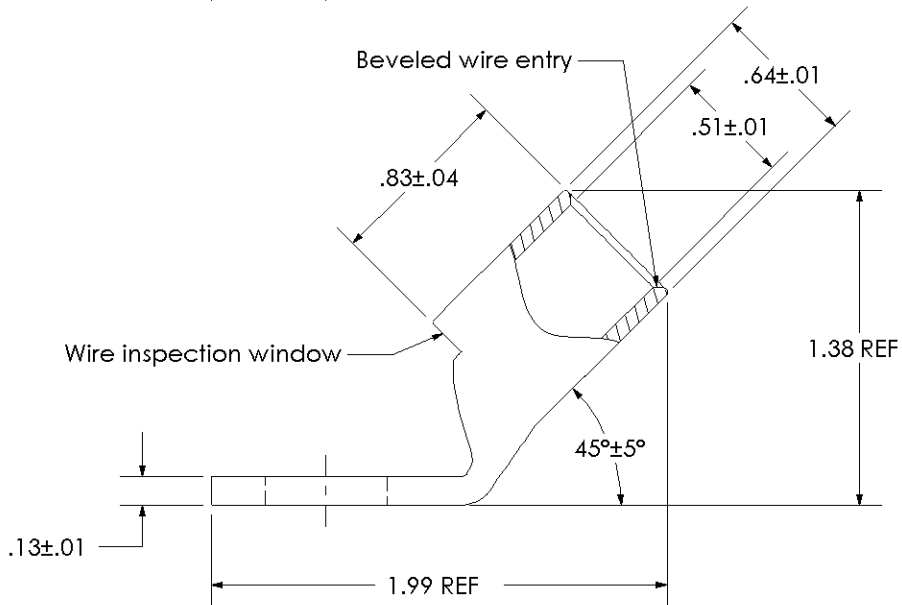
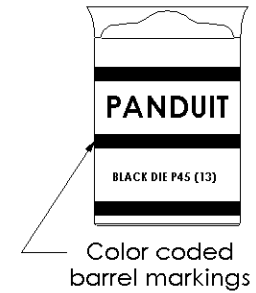
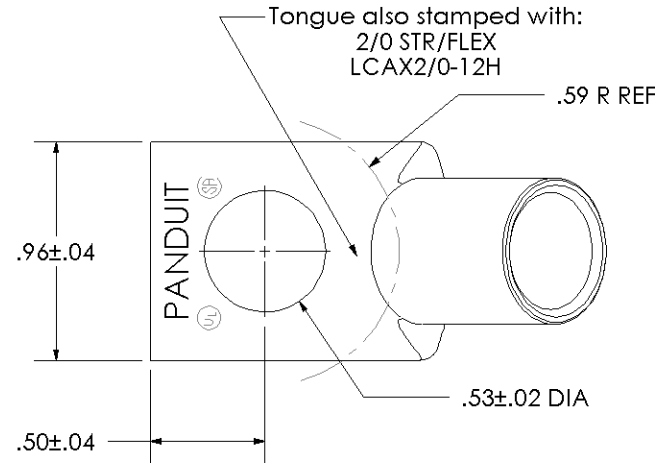
0.640" (16.26mm)

Base Product Number:

LCAX

THIS COPY IS PROVIDED ON A RESTRICTED BASIS AND IS NOT TO BE USED IN ANY WAY DETRIMENTAL TO THE INTERESTS OF PANDUIT CORP.

Material	High Conductivity Seamless Copper Tube
Plating	Electro-Tin
Wire Size	2/0 STR/FLEX
Wire Type	Stranded Copper: Class B & C, Compact, Class G, H, I, K, M, Locomotive
Wire Strip Length	7/8 in.
Stud Size	1/2 in.
UL Listed Wire Connector	Yes, for applications up to 35kv. Consult cable manufacturer for voltage stress relief instructions with applications greater than 2000 volts.
UL Temperature Rating	90° C
C.S.A Certified Wire Connector	Yes
Panduit Color Code on Barrel	BLACK
Panduit Die Index No. on Barrel	P45
Alternate Industry Die Index No. () on Barrel	(13)



CERTIFIED



LISTED Wire Connector

PANDUIT CORP. TINLEY PARK, ILLINOIS

LCAX2/0-12H-X
Copper Lug - One-Hole, Standard Flex Barrel, 45° Angle Tongue

00 6/03 CJW SAC

RELEASED

10850

REV DATE BY CHK

DESCRIPTION

ECN

SCALE N/A

DRAWING NO / CAD FILE

LCAX2_0-12H-CUST

OUR CERTIFICATE

DiGi provide top-quality products and perfect service for customer worldwide through standardization, technological innovation and continuous improvement. DiGi through third-party certification, we stricy control the quality of products and services. Welcome your RFQ to

Email: Info@DiGi-Electronics.com



Tel: +00 852-30501935

RFQ Email: Info@DiGi-Electronics.com

DiGi is a global authorized distributor of electronic components.