

www.digi-electronics.com



PV4-12RX-E Datasheet

DiGi Electronics Part Number	PV4-12RX-E-DG
Manufacturer	Panduit Corp
Manufacturer Product Number	PV4-12RX-E
Description	CONN RING FLAT 4AWG #1/2 CRIMP

<https://www.DiGi-Electronics.com>

Detailed Description

Ring Terminal Connector 1/2 Stud Flat Sided 4 AWG Crimp

This model PV4-12RX-E is available at DiGi Electronics.

DiGi Electronics offers a global database of semiconductor and electronic component datasheets.

We welcome your inquiries regarding pricing, lead time, or other product-related questions.

 [Request a Quote](#)

 [Datasheet Search](#)

Tel: +00 852-30501935

RFQ Email: Info@DiGi-Electronics.com

DiGi is a global authorized distributor of electronic components.

Purchase and inquiry

Manufacturer Product Number:

PV4-12RX-E

Series:

Pan-Term®

Terminal Type:

Flat Sided

Thickness:

0.050" (1.27mm)

Length - Overall:

2.030" (51.56mm)

Termination:

Crimp

Insulation:

Insulated

Color:

Yellow

Contact Finish:

Tin

Material - Insulation:

Vinyl

Manufacturer:

Panduit Corp

Product Status:

Obsolete

Stud/Tab Size:

1/2 Stud

Width - Outer Edges:

0.860" (21.84mm)

Mounting Type:

Free Hanging (In-Line)

Wire Gauge:

4 AWG

Features:

Brazed Seam

Contact Material:

Copper

Insulation Diameter:

0.515" (13.08mm)

Base Product Number:

PV4

Environmental & Export classification

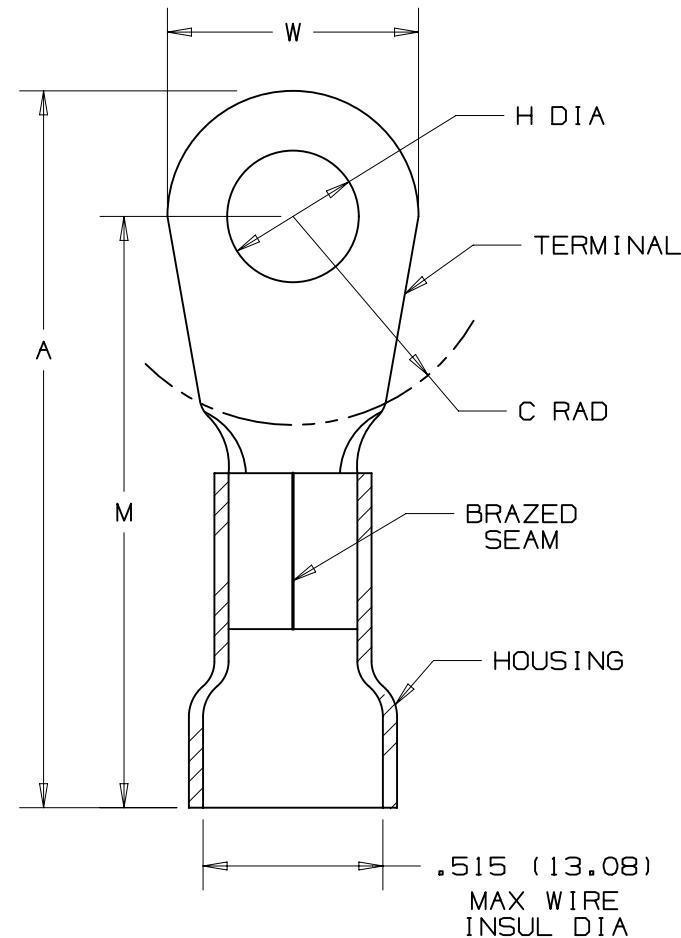
RoHS Status:

DiGi is a global authorized distributor of electronic components.

Moisture Sensitivity Level (MSL):

THIS COPY IS PROVIDED ON A RESTRICTED BASIS AND IS NOT TO BE USED IN ANY WAY DETRIMENTAL TO THE INTERESTS OF PANDUIT CORP.

PANDUIT PART NUMBER	STUD SIZE	DIMENSIONS - in.					TOOLS
		A ± .03	W ± .01	C ± .02	M ± .03	H ± .01	
PV4-10RX	#10	1.87 (47.50)	.55 (13.97)	.53 (13.46)	1.60 (40.64)	.20 (5.08)	CT-720 (CD-720PV8-2)
PV4-14RX	1/4"	1.87 (47.50)	.55 (13.97)	.53 (13.46)	1.60 (40.64)	.27 (6.86)	
PV4-56RX	5/16"	1.94 (49.28)	.68 (17.27)	.53 (13.46)	1.60 (40.64)	.33 (8.38)	CT-2600 (CD-2600-PV4)
PV4-38RX	3/8"	1.94 (49.28)	.68 (17.27)	.53 (13.46)	1.60 (40.64)	.39 (9.91)	
PV4-12RX	1/2"	2.03 (51.56)	.86 (21.84)	.53 (13.46)	1.60 (40.64)	.52 (13.21)	



NOTES:

- cULus LISTED FOR:
 - A. 600V MAX VOLTAGE RATING
 - B. 221° F (105° C) MAX TEMP RATING
 - C. #4 AWG STRANDED COPPER WIRE
- SEE WWW.PANDUIT.COM FOR PACKAGE QUANTITIES
- MATERIAL:
 - A. STAMPING - .050" (1.27) THK, COPPER TIN PLATED
 - B. HOUSING - VINYL, YELLOW
- DIMENSIONS IN BRACKETS ARE IN MILLIMETERS
- WIRE STRIP LENGTH: 1/2 + 1/32 (12.7 + .8) - 0 - 0



REV	DATE	BY	CHK	APR	DESCRIPTION	ECN
06	09/14	JHNU	JHNU	RGB	REVISED DIE NUMBER: CD-2600-PV4 WAS CD-2600-PV6	N41221BB-A41221
05	06/14	MBY	JHNU	RGB	REVISED UL LOGO TO cULus LOGO, REVISED NOTES, MOVED TOOLS TO TABLE, UPDATED BORDER	N41221BB-A41221

TITLE		#4 VINYL INSULATED RING TONGUE .515 [13.08] MAX. WIRE INSUL. DIAMETER	
ITEM REVISION NAME		N41221BB/06	
DATASET FILE NAME		N41221BB/06	
UNLESS OTHERWISE SPECIFIED, DIMENSIONAL TOLERANCES ARE: IN [mm]		MATERIAL: SEE NOTE 3	
DRAWING NUMBER: A41221		DRAWING NUMBER: A41221	
DAW	DATE	CHK	SCALE
DAW			NONE
SHT 1 OF 1		SIZE A	

OUR CERTIFICATE

DiGi provide top-quality products and perfect service for customer worldwide through standardization, technological innovation and continuous improvement. DiGi through third-party certification, we stricy control the quality of products and services. Welcome your RFQ to

Email: Info@DiGi-Electronics.com



Tel: +00 852-30501935

RFQ Email: Info@DiGi-Electronics.com

DiGi is a global authorized distributor of electronic components.