

# 1663213 Datasheet

[www.digi-electronics.com](http://www.digi-electronics.com)



<https://www.DiGi-Electronics.com>

DiGi Electronics Part Number	1663213-DG
Manufacturer	<a href="#">Phoenix Contact</a>
Manufacturer Product Number	1663213
Description	MODULE MALE 3POS CRIMP
Detailed Description	Male Module without Contacts 3 Position Crimp

This model 1663213 is available at DiGi Electronics.

DiGi Electronics offers a global database of semiconductor and electronic component datasheets.

We welcome your inquiries regarding pricing, lead time, or other product-related questions.

 [Request a Quote](#)

 [Datasheet Search](#)



Tel: +00 852-30501935

RFQ Email: [Info@DiGi-Electronics.com](mailto:Info@DiGi-Electronics.com)

DiGi is a global authorized distributor of electronic components.

## Purchase and inquiry

Manufacturer Product Number:

1663213

Series:

HEAVYCON® M

Connector Type:

Module without Contacts

Number of Positions:

3

Termination Style:

Crimp

Current Rating (Amps):

-

Operating Temperature:

-40°C ~ 125°C

Housing Material:

-

Contact Finish:

-

Manufacturer:

Phoenix Contact

Product Status:

Obsolete

Gender:

Male

Size:

-

Voltage Rating:

600V

Contact Type:

CK 4.0-ED

Color:

-

Contact Material:

-

Material Flammability Rating:

UL94 V-0

## Environmental & Export classification

RoHS Status:

RoHS Compliant

ECCN:

EAR99

Moisture Sensitivity Level (MSL):

1 (Unlimited)

HTSUS:

8536.69.8000


# HC-M-03-MOD-ST

Order No.: 1663213

<http://eshop.phoenixcontact.de/phoenix/treeViewClick.do?UID=1663213>

HEAVYCON contact insert module, male, 3-pos., crimp connection

**Commercial data**

GTIN (EAN)	 4 017918 123024
sales group	D042
Pack	2 pcs.
Customs tariff	85369010
Catalog page information	Page 185 (PC-2002)

**Product notes**WEEE/RoHS-compliant since:  
10/30/2006

<http://www.download.phoenixcontact.com>  
Please note that the data given here has been taken from the online catalog. For comprehensive information and data, please refer to the user documentation. The General Terms and Conditions of Use apply to Internet downloads.

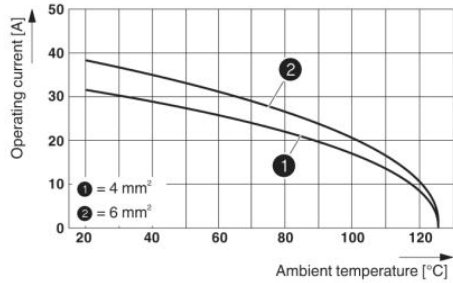
**Certificates / Approvals**

Certification

CSA, GOST, UL

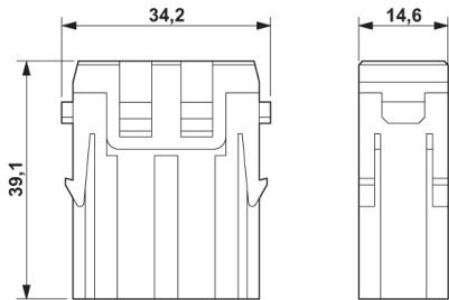
**Diagrams/Drawings**

Diagram



Derating diagram (6 modules in HC-B 24 housing)

Dimensioned drawing



Male insert

**Address**

PHOENIX CONTACT Deutschland GmbH  
Flachmarktstr. 8  
32825 Blomberg, Germany  
Phone +49 5235 3 12000  
Fax +49 5235 3 41200  
<http://www.phoenixcontact.de>



© 2010 Phoenix Contact  
Technical modifications reserved;

## OUR CERTIFICATE

DiGi provide top-quality products and perfect service for customer worldwide through standardization, technological innovation and continuous improvement. DiGi through third-party certification, we stricly control the quality of products and services. Welcome your RFQ to

Email: [Info@DiGi-Electronics.com](mailto:Info@DiGi-Electronics.com)



Tel: +00 852-30501935

RFQ Email: [Info@DiGi-Electronics.com](mailto:Info@DiGi-Electronics.com)

DiGi is a global authorized distributor of electronic components.