

# 2829470 Datasheet



DiGi Electronics Part Number	2829470-DG
Manufacturer	<a href="#">Phoenix Contact</a>
Manufacturer Product Number	2829470
Description	RELAY GEN PURPOSE DPST 50MA 120V
Detailed Description	General Purpose Relay DPST-NO (2 Form A) Socket able

<https://www.DiGi-Electronics.com>

This model 2829470 is available at DiGi Electronics.

DiGi Electronics offers a global database of semiconductor and electronic component datasheets.

We welcome your inquiries regarding pricing, lead time, or other product-related questions.

 [Request a Quote](#)

 [Datasheet Search](#)



Tel: +00 852-30501935

RFQ Email: [Info@DiGi-Electronics.com](mailto:Info@DiGi-Electronics.com)

DiGi is a global authorized distributor of electronic components.

## Purchase and inquiry

Manufacturer Product Number:

2829470

Series:

ST-REL4

Mounting Type:

Socketable

Contact Form:

DPST-NO (2 Form A)

Switching Voltage:

30VAC, 30VDC - Max

Coil Type:

Non Latching

Termination Style:

Plug In

Coil Insulation:

-

Must Release Voltage:

-

Release Time:

10 ms

Contact Material:

Silver Nickel (AgNi), Gold (Au)

Coil Resistance:

24 kOhms

Manufacturer:

Phoenix Contact

Product Status:

Obsolete

Coil Voltage:

120VAC/DC

Contact Rating (Current):

50 mA

Coil Current:

5 mA

Features:

Lighted Indicator, Varistor

Seal Rating:

-

Must Operate Voltage:

-

Operate Time:

10 ms

Operating Temperature:

-20°C ~ 50°C

Relay Type:

General Purpose

## Environmental & Export classification

RoHS Status:

RoHS Compliant

ECCN:

EAR99

Moisture Sensitivity Level (MSL):

1 (Unlimited)

HTSUS:

8536.41.0020

## Relay connectors - ST-REL4-KG120/ 1- 1/AU - 2829470

Please be informed that the data shown in this PDF Document is generated from our Online Catalog. Please find the complete data in the user's documentation. Our General Terms of Use for Downloads are valid (<http://phoenixcontact.com/download>)



Relay connector, fitted with miniature switching relay, contacts (AgNi+Au): Small to large loads, 2 N/O contacts, 120 V AC/DC input voltage, with light indicator, can be plugged into basic terminal blocks

The illustration shows version ST-REL 4-HW 24/1-1



### Key commercial data

Packing unit	1 pc
Weight per Piece (excluding packing)	44.53 GRM
Custom tariff number	85364900
Country of origin	Germany

### Technical data

#### Dimensions

Width	27 mm
Height	33 mm
Depth	66.5 mm

#### Ambient conditions

Ambient temperature (operation)	-20 °C ... 50 °C
Ambient temperature (storage/transport)	-20 °C ... 70 °C

#### Coil side

Nominal input voltage $U_N$	120 V AC/DC
Input voltage range in reference to $U_N$	0.8 ... 1.06
Typical input current at $U_N$	5 mA
Typical response time	10 ms (with DC)
Typical release time	10 ms (with DC)
Operating voltage display	Yes

## Relay connectors - ST-REL4-KG120/ 1- 1/AU - 2829470

### Technical data

#### Coil side

Protective circuit	Bridge rectifier, varistor
--------------------	----------------------------

#### Contact side

Contact type	Single contact, 2 N/O contact
Contact material	Hard gold plated AgNi
Maximum switching voltage	30 V AC/DC
Maximum inrush current	50 mA
Limiting continuous current	50 mA
Interrupting rating (ohmic load) max.	1.2 W (at 24 V DC)
Note	the following values are applicable if a gold layer is destroyed
Maximum switching voltage	250 V AC/DC
Limiting continuous current	5 A
Maximum inrush current	6 A
Interrupting rating (ohmic load) max.	120 W (at 24 V DC)
	85 W (at 48 V DC)
	60 W (at 60 V DC)
	40 W (at 110 V DC)
	60 W (at 220 V DC)
	1100 VA (for 250 V AC)

#### General

Test voltage relay winding/relay contact	2.5 kV AC (50 Hz, 1 min.)
Test voltage N/O contact/N/O contact	2 kV AC (50 Hz, 1 min.)
Operating mode	100% operating factor
Mechanical service life	Approx. $2 \times 10^7$ cycles
Standards/regulations	DIN VDE 0110b, Gr. C for 250 V DC
	IEC 60255/DIN VDE 0435 (in relevant parts)
	DIN EN 50178/DIN VDE 0160 (in relevant parts)
	EN 60730/DIN VDE 0631
	DIN VDE 0160 (in relevant parts)

### Classifications

#### eCl@ss

eCl@ss 4.0	27371104
eCl@ss 4.1	27371104
eCl@ss 5.0	27371001
eCl@ss 5.1	27371001

## Relay connectors - ST-REL4-KG120/ 1- 1/AU - 2829470

### Classifications

#### eCl@ss

eCl@ss 6.0	27371001
eCl@ss 7.0	27371001
eCl@ss 8.0	27371001

#### ETIM

ETIM 2.0	EC000196
ETIM 3.0	EC000196
ETIM 4.0	EC000196
ETIM 5.0	EC000196

#### UNSPSC

UNSPSC 6.01	30211916
UNSPSC 7.0901	39121515
UNSPSC 11	39121515
UNSPSC 12.01	39121515
UNSPSC 13.2	39121515

### Approvals

#### Approvals

---

Approvals

GOST / GOST

---


Ex Approvals

---

Approvals submitted

---

Approval details

GOST 
------------------------------------------------------------------------------------------

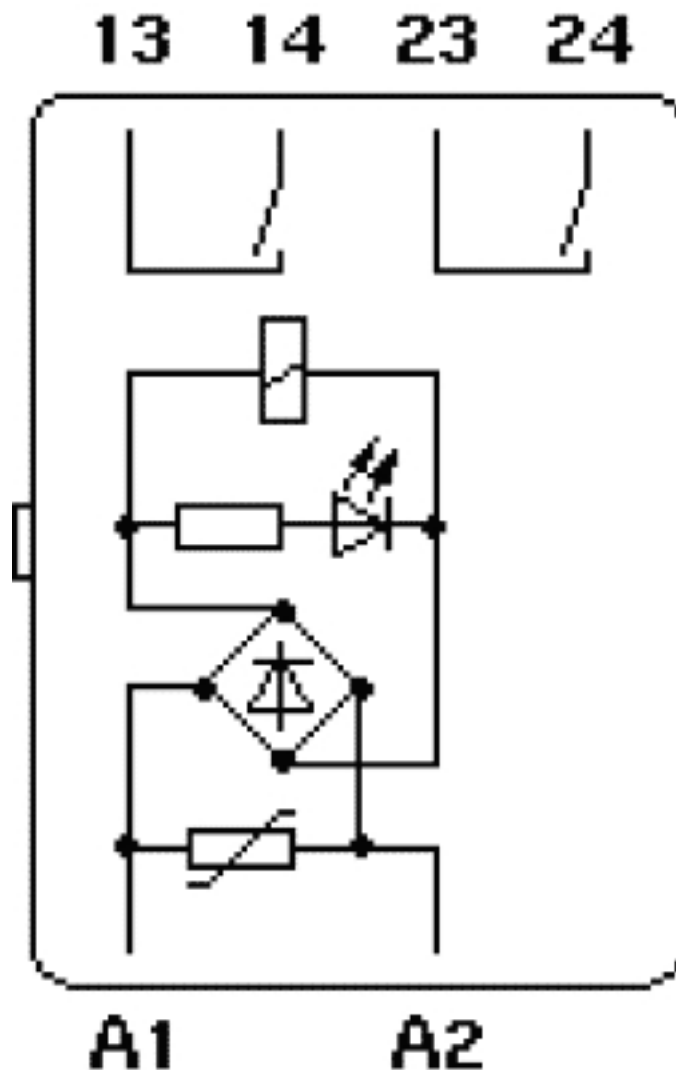
# Relay connectors - ST-REL4-KG120/ 1- 1/AU - 2829470

Approvals



Drawings

Circuit diagram



## OUR CERTIFICATE

DiGi provide top-quality products and perfect service for customer worldwide through standardization, technological innovation and continuous improvement. DiGi through third-party certification, we strictly control the quality of products and services. Welcome your RFQ to

Email: [Info@DiGi-Electronics.com](mailto:Info@DiGi-Electronics.com)



Tel: +00 852-30501935

RFQ Email: [Info@DiGi-Electronics.com](mailto:Info@DiGi-Electronics.com)

DiGi is a global authorized distributor of electronic components.