

AMRM00101040150MA1 Datasheet



<https://www.DiGi-Electronics.com>

DiGi Electronics Part Number	AMRM00101040150MA1-DG
Manufacturer	Pulse Electronics
Manufacturer Product Number	AMRM00101040150MA1
Description	IND 15UH SHLD 20% 6.0A
Detailed Description	15 μ H Unshielded Inductor 6 A 45mOhm Max Nons tandard



Tel: +00 852-30501935

RFQ Email: Info@DiGi-Electronics.com

DiGi is a global authorized distributor of electronic components.

Purchase and inquiry

Manufacturer Product Number:

AMRM00101040150MA1

Series:

AMRM00101040A1

Type:

-

Inductance:15 μ H**Current Rating (Amps):**

6 A

Shielding:

Unshielded

Q @ Freq:

-

Ratings:

AEC-Q200

Inductance Frequency - Test:

100 kHz

Mounting Type:

Surface Mount

Supplier Device Package:

-

Height - Seated (Max):

0.157" (4.00mm)

Manufacturer:

Pulse Electronics

Product Status:

Active

Material - Core:

-

Tolerance: \pm 20%**Current - Saturation (Isat):**

6.25A

DC Resistance (DCR):

45mOhm Max

Frequency - Self Resonant:

-

Operating Temperature:

-40°C ~ 125°C

Features:

-

Package / Case:

Nonstandard

Size / Dimension:

0.457" L x 0.402" W (11.60mm x 10.20mm)

Environmental & Export classification

RoHS Status:

ROHS3 Compliant

REACH Status:

REACH Unaffected

HTSUS:

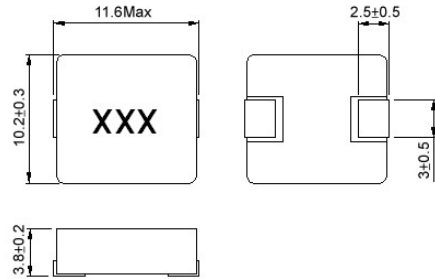
8504.50.8000

Moisture Sensitivity Level (MSL):

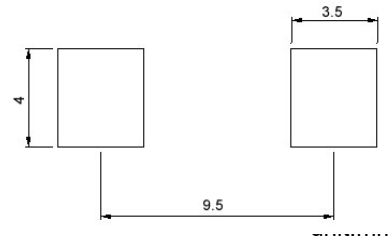
1 (Unlimited)

ECCN:

EAR99

AMRM00101040 Type
■ Dimensions


unit:mm

■ Recommended Land Pattern

■ Electrical Characteristics

Part No.	Inductance (uH)	Test Freq.	RDC(mΩ) Max(Typ)	Isat (A)Typ.	Irms (A)Typ.	Tolerance (±%)	Marking
AMRM001010401R0MA1	1	100kHz/0.5V	3.3(3.0)	20	18	20	1R0
AMRM001010402R2MA1	2.2	100kHz/0.5V	6.8(6.0)	16	14	20	2R2
AMRM001010403R3MA1	3.3	100kHz/0.5V	11(10)	13	11	20	3R3
AMRM001010404R7MA1	4.7	100kHz/0.5V	16(14.5)	11	9	20	4R7
AMRM001010406R8MA1	6.8	100kHz/0.5V	24(20)	9	8	20	6R8
AMRM00101040100MA1	10	100kHz/0.5V	30(27)	7	6.5	20	100
AMRM00101040150MA1	15	100kHz/0.5V	45(40)	6.25	6	20	150
AMRM00101040220MA1	22	100kHz/0.5V	66(60)	5	4.5	20	220
AMRM00101040330MA1	33	100kHz/0.5V	100(90)	4	3.5	20	330
AMRM00101040470MA1	47	100kHz/0.5V	165(150)	3.5	3	20	470

Note: When ordering, please specify tolerance code. Tolerance: M=±20%

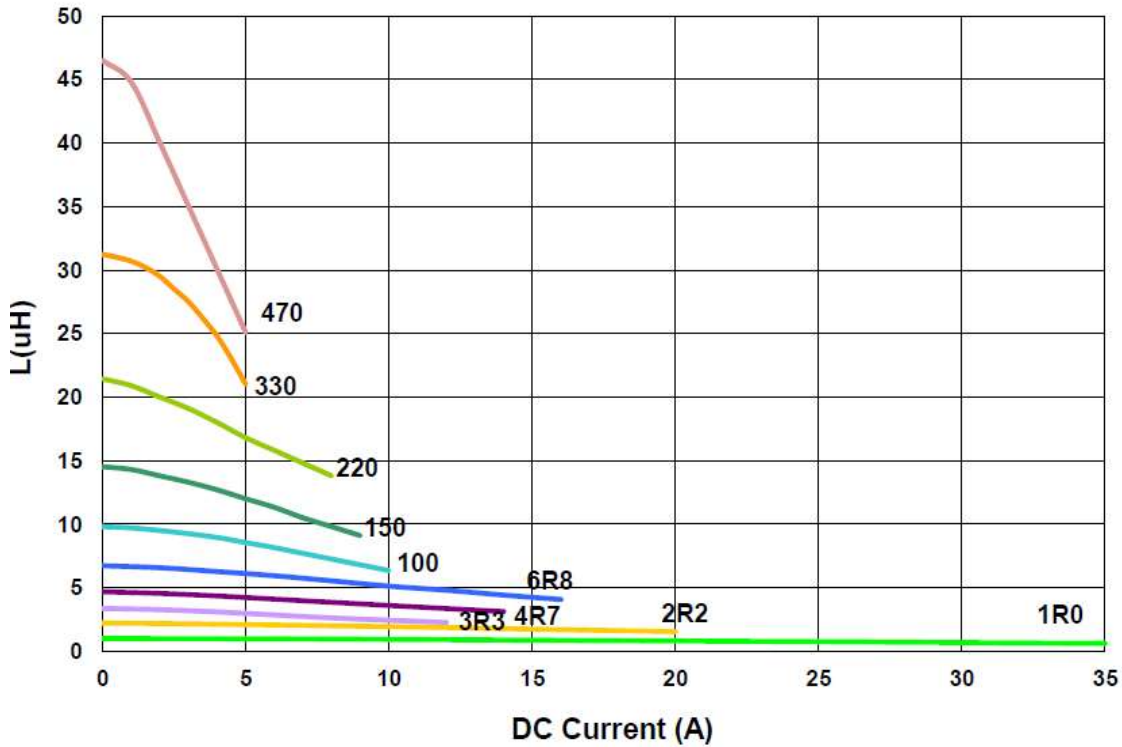
1. Operating temperature range $-40^{\circ}\text{C} \sim 125^{\circ}\text{C}$
2. Isat for Inductance drop 30% from its value without current
3. I rms for a 40°C temprature rise from 25°C ambient with current
4. Absolute maximum voltage 30VDC
5. Measure Equipment:
 L: WK3260B or WK6500P
 RDC: CHEN HWA502 or 16502
 Isat: WK3260B+WK3265B
 I rms: CHROMA 1810

AMRM001010401R0MA1 Pulse Electronics Ltd. 2010

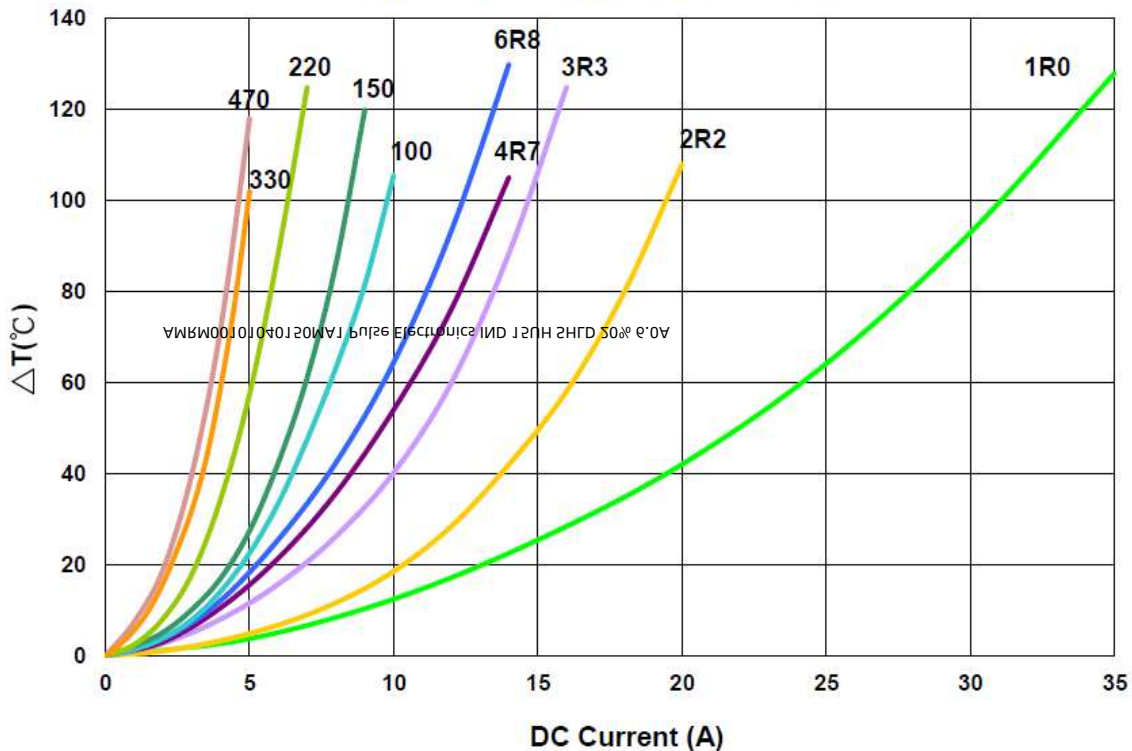
AMRM00101040 Type

Characteristics Graph

Inductance vs. DC Current



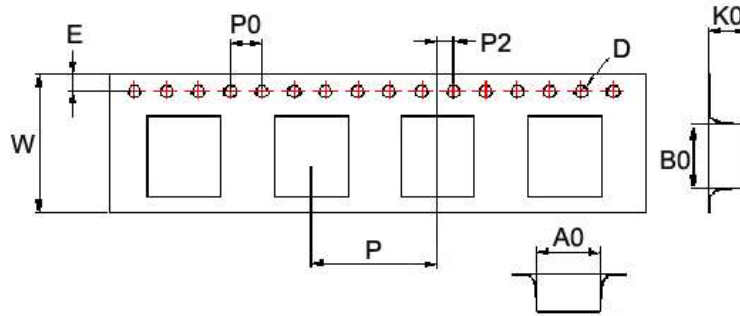
Temperature Change vs. DC Current



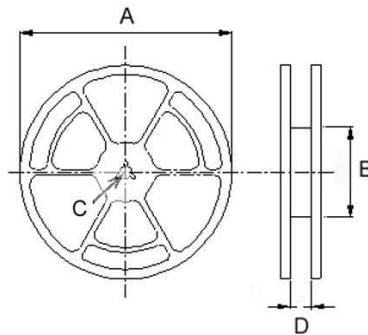
Please be sure to request approval specifications that provide further details of the products. Kindly note that the content of these specifications are subject to change or may be discontinued without prior notice. This product may not be designed/used in medical or high risk applications without Chilisin approval. Please contact our sales department before ordering.

■ Packaging

Tape Dimensions



Reel Dimensions



Dimensions in mm

TYPE	Tape Dimensions									Reel Dimensions				Quantity
	A0	B0	K0	D	E	W	P	P0	P2	A	B	C	D	PCS / REEL
AMRM00101040	10.6	11.7	4.25	1.55	1.75	24	16	4	2	330	100	13	24.4	500

AMRM00101040 PULSE Electronics INC 121H 2HFD 50% 0.0A

OUR CERTIFICATE

DiGi provide top-quality products and perfect service for customer worldwide through standardization, technological innovation and continuous improvement. DiGi through third-party certification, we stricly control the quality of products and services. Welcome your RFQ to

Email: Info@DiGi-Electronics.com



Tel: +00 852-30501935

RFQ Email: Info@DiGi-Electronics.com

DiGi is a global authorized distributor of electronic components.