

# H1259NL Datasheet



DiGi Electronics Part Number	H1259NL-DG
Manufacturer	<a href="#">Pulse Electronics</a>
Manufacturer Product Number	H1259NL
Description	MODULE XFRMR ETHERNET LAN 40SOIC
Detailed Description	LAN Pulse Transformer 1CT:1CT Surface Mount

<https://www.DiGi-Electronics.com>



Tel: +00 852-30501935

RFQ Email: [Info@DiGi-Electronics.com](mailto:Info@DiGi-Electronics.com)

DiGi is a global authorized distributor of electronic components.

## Purchase and inquiry

Manufacturer Product Number:

H1259NL

Series:

-

Transformer Type:

LAN

ET (Volt-Time):

-

Mounting Type:

Surface Mount

Height - Seated (Max):

0.235" (5.97mm)

Weight:

0.17 oz (4.84 g)

Manufacturer:

Pulse Electronics

Product Status:

Active

Inductance:

-

Turns Ratio - Primary:Secondary:

1CT:1CT

Size / Dimension:

1.125" L x 0.480" W (28.58mm x 12.19mm)

Operating Temperature:

0°C ~ 70°C

## Environmental & Export classification

RoHS Status:

ROHS3 Compliant

REACH Status:

REACH Unaffected

HTSUS:

8504.31.2000

Moisture Sensitivity Level (MSL):

1 (Unlimited)

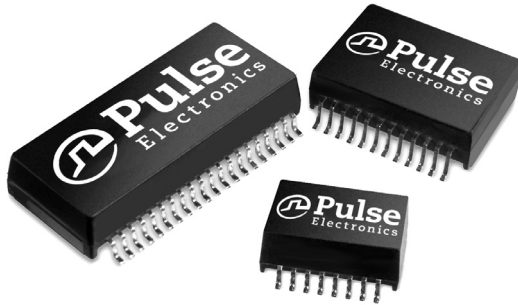
ECCN:

EAR99

# Star Magnetics™

## 10/100BASE-T Transformer Modules with PoE\* Option and 1:1 Turns Ratios

\*Power over Ethernet



- RoHS peak reflow temperature rating 245°C
- Meets IEEE 802.3 specification
- Compact footprint

Electrical Specifications @ 25°C - Operating Temperature 0°C to 70°C

Part Number	PoE	Number of Ports	Insertion Loss (dB MAX)			Return Loss (Z out = 100 Ω ± 15%)			Crosstalk (adjacent channels dB MIN)			Hipot (Vrms MIN)
			0.1 MHz	1 MHz	100 MHz	30 MHz	60 MHz	80 MHz	30 MHz	60 MHz	100 MHz	
H0055NL <sup>1, 6a, 7</sup>	No	1	-2.5	—	-1.0	-16	-10	-10	-45	-40	-33	1500
H0056NL <sup>2, 6a, 7</sup>	No	1	—	-0.8	-0.9	-16	-10	-10	-45	-40	-33	1500
H1259NL <sup>6a, 7</sup>	No	4	-1.2	—	-1.4	-16	-10	-10	-45	-40	-33	1500
HX1259NL <sup>3, 6a, 7</sup>	No	4	-1.2	—	-1.4	-16	-10	-10	-45	-40	-33	1500
H1260NL <sup>6a, 7</sup>	No	1	-1.1	—	-1.1	-16	-10	-10	-35	-30	-30	1500
HX1260NL <sup>3, 6a, 7</sup>	No	1	-1.1	—	-1.1	-16	-10	-10	-35	-30	-30	1500
H1278NL <sup>6a, 7</sup>	No	1	-1.1	—	-1.0	-16	-10	-10	-45	-40	-33	1500
H1305NL <sup>6a, 7</sup>	No	2	-1.2	—	-1.4	-16	-10	-10	-45	-40	-33	1500
HX1305NL <sup>3, 6a, 7</sup>	No	2	-1.2	—	-1.4	-16	-10	-10	-45	-40	-33	1500
H2260NL <sup>6a, 7</sup>	Yes <sup>d</sup>	1	-1.1	—	-1.1	-16	-10	-10	-35	-30	-30	1500
HX2260NL <sup>3, 6a, 7</sup>	Yes <sup>d</sup>	1	-1.1	—	-1.1	-16	-10	-10	-35	-30	-30	1500
H2305NL <sup>6a, 7</sup>	Yes <sup>d</sup>	2	-1.2	—	-1.4	-16	-10	-10	-45	-40	-33	1500
HX2305NL <sup>3, 6a, 7</sup>	Yes <sup>d</sup>	2	-1.2	—	-1.4	-16	-10	-10	-45	-40	-33	1500

**Notes:**

1. H0055NL is designed to meet 200 μH nom.
2. H0056NL is designed to meet 300 μH nom.
3. Parts offer extended operating temperature of -40 to +85°C
4. These parts are compliant to IEEE802.3af, Power over Ethernet (PoE) standard.
5. When ordering Tape & Reel packaging, add a "T" suffix to the end of the part number, e.g. H0056NLT
6. MSL = Moisture Sensivity Level: a=1, b=2, c=3, d=4, e=5
7. Not for sale in U.S.

# Star Magnetics™ 10/100BASE-T Transformer Modules with PoE\* Option and 1:1 Turns Ratios

\*Power over Ethernet



## Mechanicals

### H0055NL

**SUGGESTED LAND PATTERN**

**Weight** .....0.35 grams  
**Tape & Reel** .....1000/reel  
**Tube** .....40/tube

### H0056NL

**SUGGESTED LAND PATTERN**

**Weight** .....0.30 grams  
**Tape & Reel** .....2000/reel  
**Tube** .....40/tube

Unless otherwise specified, all tolerances are ±  $\frac{.010}{0,25}$  inches/mm

### H1259NL, HX1259NL

**SUGGESTED PAD LAYOUT**

**Weight** .....3.4 grams  
**Tape & Reel** .....250/reel  
**Tube** .....15/tube

### H1260NL, HX1260NL, H2260NL, HX2260NL

**SUGGESTED PAD LAYOUT**

**Weight** .....0.9 grams  
**Tape & Reel** .....600/reel  
**Tube** .....40/tube

Unless otherwise specified, all tolerances are ±  $\frac{.010}{0,25}$  inches/mm

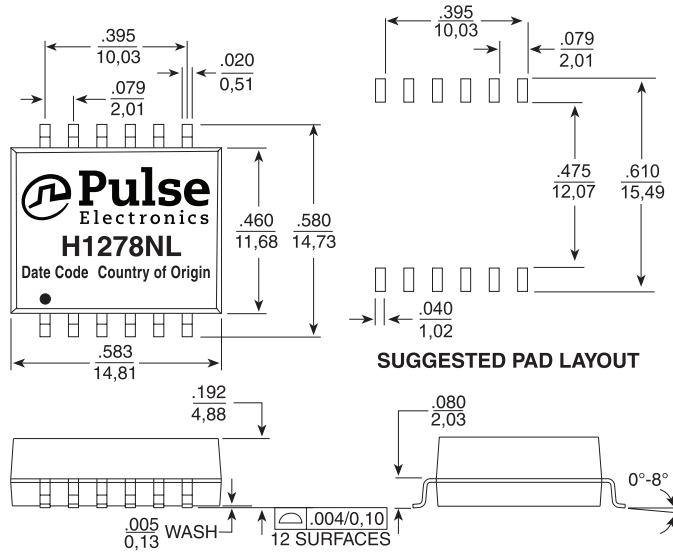
# Star Magnetics™ 10/100BASE-T Transformer Modules with PoE\* Option and 1:1 Turns Ratios

\*Power over Ethernet



## Mechanicals (continued)

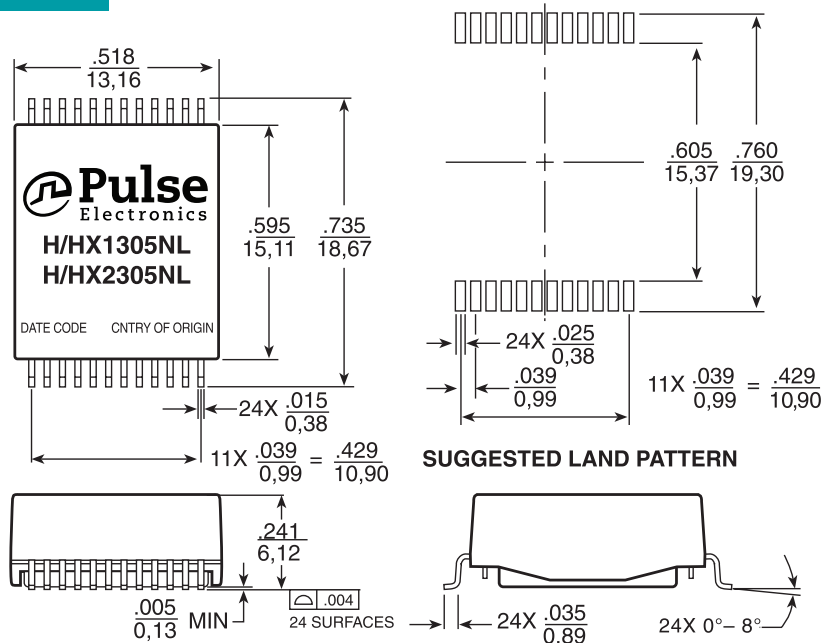
### H1278NL



Weight .....0.9 grams  
Tape & Reel .....350/reel  
Tube .....35/tube

Dimensions:  $\frac{\text{Inches}}{\text{mm}}$  Unless otherwise specified, all tolerances are  $\pm \frac{.010}{0,25}$

### H1305NL, HX1305NL, H2305NL, HX2305NL



Weight .....2.7 grams  
Tape & Reel .....350/reel  
Tube .....35/tube

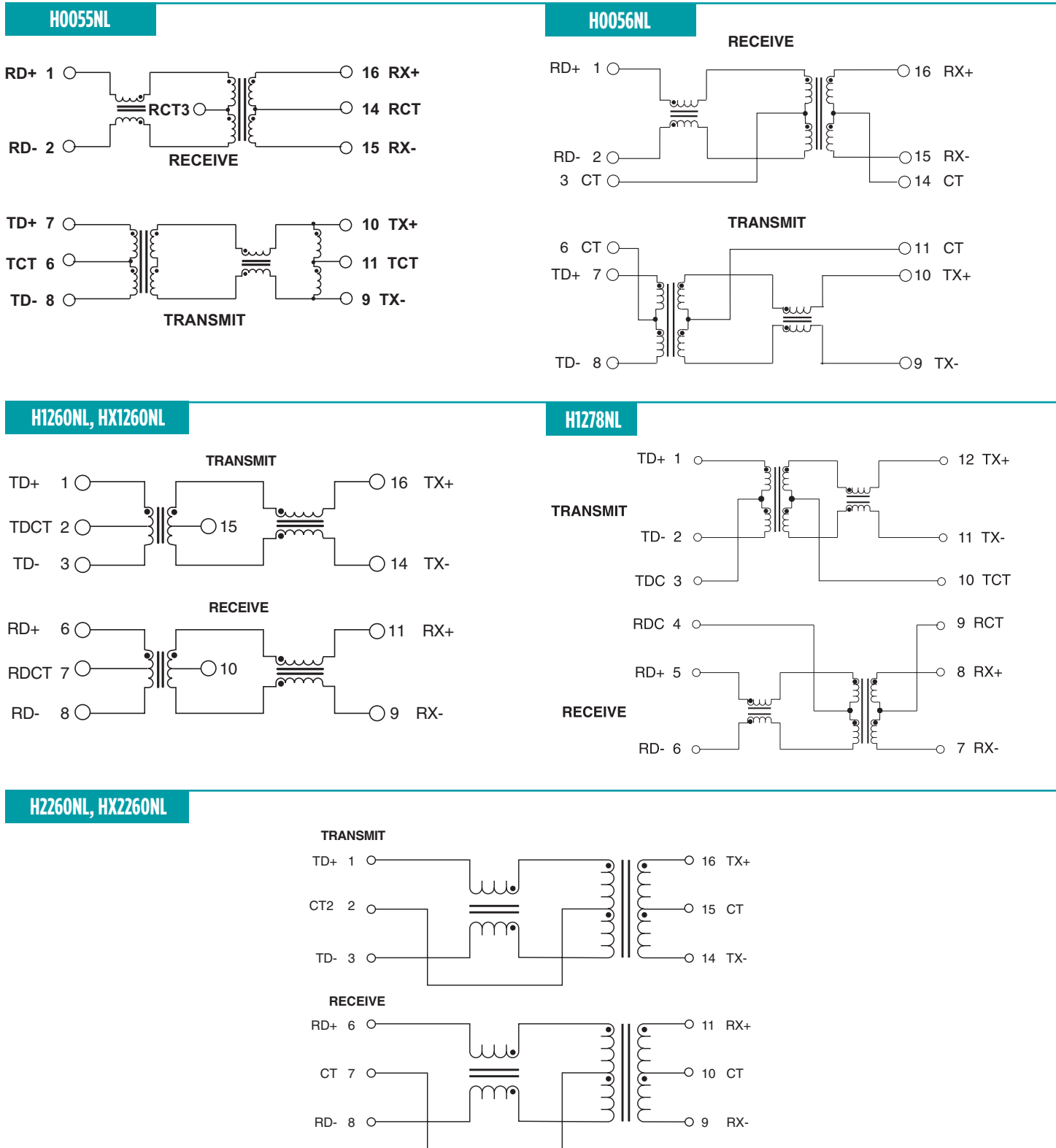
Dimensions:  $\frac{\text{Inches}}{\text{mm}}$  Unless otherwise specified, all tolerances are  $\pm \frac{.010}{0,25}$

# Star Magnetics™ 10/100BASE-T Transformer Modules with PoE\* Option and 1:1 Turns Ratios

\*Power over Ethernet



## Schematics



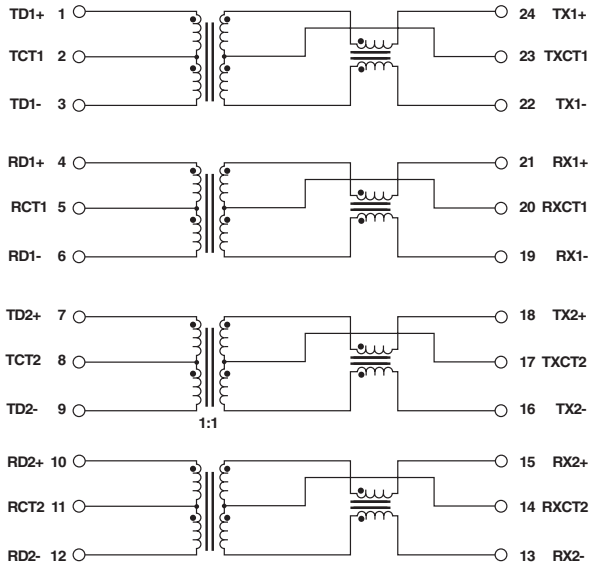
# Star Magnetics™ 10/100BASE-T Transformer Modules with PoE\* Option and 1:1 Turns Ratios

\*Power over Ethernet

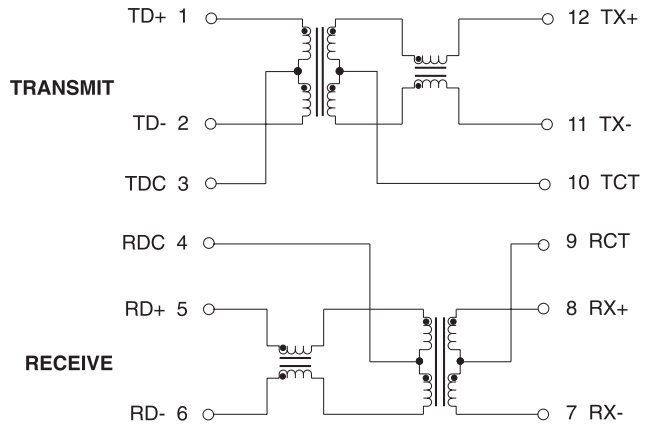


## Schematics (continued)

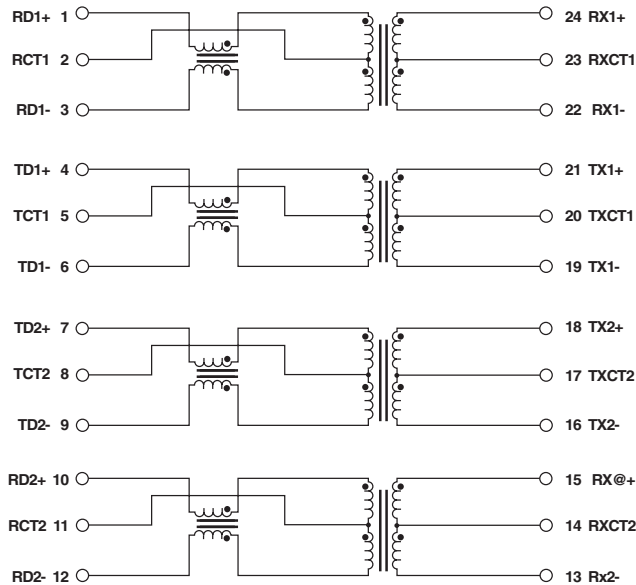
### H1305NL, HX1305NL



### H1278NL



### H2305NL, HX2305NL

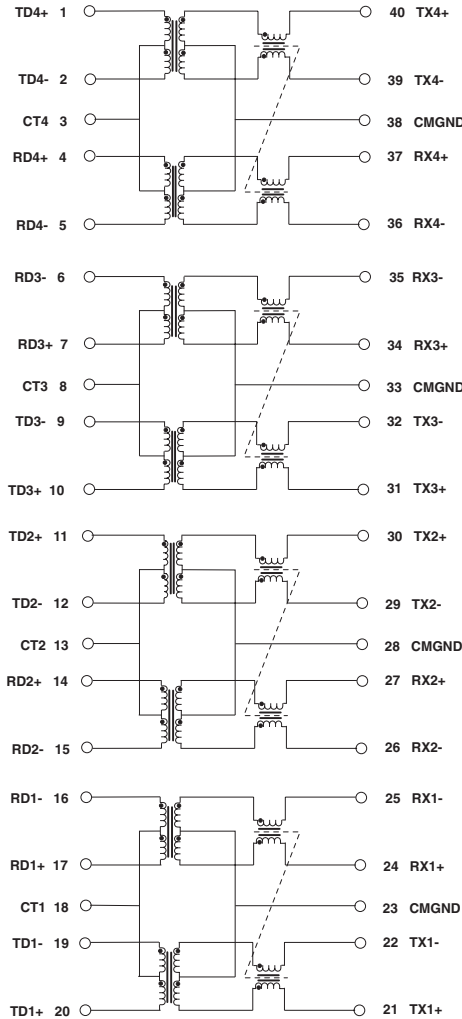


# Star Magnetics™ 10/100BASE-T Transformer Modules with PoE\* Option and 1:1 Turns Ratios

\*Power over Ethernet

## Schematics (continued)

H1259NL, HX1259NL



## For More Information

**Pulse Worldwide Headquarters**  
12220 World Trade Drive  
San Diego, CA  
92128  
U.S.A.

Tel: 858 674 8100

**Pulse Europe**  
Einsteinstrasse 1  
D-71083 Herrenberg  
Germany

Tel: 49 7032 7806

**Pulse China Headquarters**  
B402, Shenzhen Academy of  
Aerospace Technol-  
ogy Bldg.  
10th Kejinan Road  
High-Tech Zone  
Nanshan District  
Shenzhen, PR China  
518057

**Pulse North China**  
Room 2704/2705  
Super Ocean Finance  
Ctr.  
2067 Yan An Road  
West  
Shanghai 200336  
China

**Pulse South Asia**  
135 Joo Seng Road  
#03-02  
PM Industrial Bldg.  
Singapore 368363

Tel: 65 6287 8998  
Fax: 65 6287 8998

**Pulse North Asia**  
3F, No. 198  
Zhongyuan Road  
Zhongli City  
Taoyuan County 320  
Taiwan R. O. C.  
Tel: 886 3 4356768  
Fax: 886 3 4356823  
(Pulse)

Performance warranty of products offered on this data sheet is limited to the parameters specified. Data is subject to change without notice. Other brand and product names mentioned herein may be trademarks or registered trademarks of their respective owners. © Copyright, 2013. Pulse Electronics, Inc. All rights reserved.



## OUR CERTIFICATE

DiGi provide top-quality products and perfect service for customer worldwide through standardization, technological innovation and continuous improvement. DiGi through third-party certification, we stricly control the quality of products and services. Welcome your RFQ to

Email: [Info@DiGi-Electronics.com](mailto:Info@DiGi-Electronics.com)



Tel: +00 852-30501935

RFQ Email: [Info@DiGi-Electronics.com](mailto:Info@DiGi-Electronics.com)

DiGi is a global authorized distributor of electronic components.