

HX5400NL Datasheet



<https://www.DiGi-Electronics.com>

DiGi Electronics Part Number	HX5400NL-DG
Manufacturer	Pulse Electronics
Manufacturer Product Number	HX5400NL
Description	XFRMR MODL 4PORT POE GIGABIT
Detailed Description	350µH Isolation and Data Interface (Encapsulated) Pulse Transformer 1CT:1CT Transmitter, 1CT:1CT Receiver Surface Mount

This model HX5400NL is available at DiGi Electronics.

DiGi Electronics offers a global database of semiconductor and electronic component datasheets.

We welcome your inquiries regarding pricing, lead time, or other product-related questions.

 [Request a Quote](#)

 [Datasheet Search](#)



Tel: +00 852-30501935

RFQ Email: Info@DiGi-Electronics.com

DiGi is a global authorized distributor of electronic components.

Purchase and inquiry

Manufacturer Product Number:

HX5400NL

Series:

-

Transformer Type:

Isolation and Data Interface (Encapsulated)

ET (Volt-Time):

-

Mounting Type:

Surface Mount

Height - Seated (Max):

0.438" (11.12mm)

Weight:

0.35 oz (9.97 g)

Manufacturer:

Pulse Electronics

Product Status:

Active

Inductance:

350µH

Turns Ratio - Primary:Secondary:

1CT:1CT Transmitter, 1CT:1CT Receiver

Size / Dimension:

1.120" L x 0.680" W (28.45mm x 17.27mm)

Operating Temperature:

-40°C ~ 85°C

Environmental & Export classification

RoHS Status:

ROHS3 Compliant

REACH Status:

REACH Unaffected

HTSUS:

8504.31.2000

Moisture Sensitivity Level (MSL):

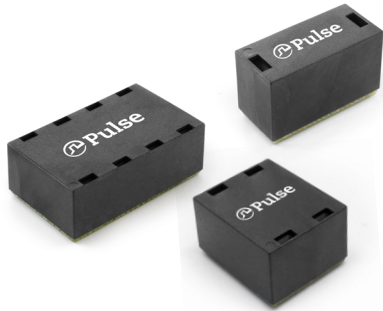
1 (Unlimited)

ECCN:

EAR99

High Density 1Gigabit PoE/PoE+ SMD Modules

BGA Quad/Dual/Single port for flexible PCB placement
HX52xxNL, HX54xxNL, HX5610NL, and HX6xxxHL



- Ⓢ Compact SMT 1Gigabit PoE modules offering less than 140mm² /port density
- Ⓢ Reliable surface mount ball grid array
- Ⓢ Standard and Industrial Temperature range
- Ⓢ Modular construction exceeds IEEE802.3u/ab
- Ⓢ Options support 4pair PoE+ (70W) of DC power
- Ⓢ Designed to fit behind 2xN connectors
- Ⓢ RoHS-6, peak reflow temperature rating 245°C
- Ⓢ Supplied in Trays or Tape and Reel

Standard Range		Electrical Specifications @ 25°C - Operating Temperature 0°C to +70°C												
RoHS-6 Compliant Part Number	Number of Ports	Insertion Loss (dB Max)	Return Loss (dB Min)					Common Mode Rejection [CMMR] (dB Min)			Crosstalk (dB Min)			4P PoE Rating (Watts)
			1-100MHz	1-30MHz	40MHz	50MHz	60-80MHz	100MHz	30-60MHz	80-100MHz	125MHz	30MHz	60MHz	
H5610NL	1	1.5	-18	-16	-14	-11	-10	-32	-25	-19	-44	-37	-33	35max
H5200NL	2	1.5	-18	-16	-14	-11	-10	-32	-25	-19	-44	-37	-33	35max
H5201NL	2	1.5	-18	-16	-14	-11	-10	-32	-25	-19	-44	-37	-33	30max
H5400NL	4	1.5	-18	-16	-14	-11	-10	-32	-25	-19	-44	-37	-33	35max
H5401NL	4	1.5	-18	-16	-14	-11	-10	-32	-25	-19	-44	-37	-33	30max

Industrial Range		Electrical Specifications @ 25°C - Operating Temperature -40°C to +80°C												
HX5610NL	1	1.5	-18	-16	-14	-10	-10	-32	-25	-19	-44	-37	-33	35max
HX5200NL	2	1.5	-18	-16	-14	-10	-10	-32	-25	-19	-44	-37	-33	35max
HX5201NL	2	1.5	-18	-16	-14	-10	-10	-32	-25	-19	-44	-37	-33	30max
HX5400NL	4	1.5	-18	-16	-14	-10	-10	-32	-25	-19	-44	-37	-33	35max
HX5401NL	4	1.5	-18	-16	-14	-10	-10	-32	-25	-19	-44	-37	-33	30max

Power over Ethernet ⁶		Electrical Specifications @ 25°C - Operating Temperature 0°C to +70°C / -40°C to +80°C												
H6600NL	1	1.5	-18	-16	-14	-11	-10	-32	-25	-19	-44	-37	-33	70max
HX6621NL	1	1.5	-18	-16	-14	-10	-10	-32	-25	-19	-44	-37	-33	70max
H6200NL	2	1.5	-18	-16	-14	-11	-10	-32	-25	-19	-44	-37	-33	70max
HX6221NL	2	1.5	-18	-16	-14	-10	-10	-32	-25	-19	-44	-37	-33	70max
H6400NL	4	1.5	-18	-16	-14	-11	-10	-32	-25	-19	-44	-37	-33	70max
HX6400NL	4	1.5	-18	-16	-14	-10	-10	-32	-25	-19	-44	-37	-33	70max

Notes:

- Header DAP with flammability Rating UL-94V-0
- MSL = Moisture Sensitivity Level: 1 per J-STD-020
- J-STD-075 R7m 235°C maximum
- Compliance to J-STD-002 Solderable at 245°C
- Reflow Profile, J-STD-020: LEVEL 1
- RoHS-6: Product does not contain 5 out of the 6 banned substances specified in the RoHS directive.
Some internal connections may contain lead in high-temperature solder (solder alloys containing more than 85% lead)
- Operating Temperature:
Standard "H" parts 0°C to +70°C
Industrial "HX" products -40°C to +85°C
- Storage Temperature:
Standard "H" parts -20°C to +125°C
Industrial "HX" parts -50°C to +125°C
- Contact Pulse for other connector option via the "Resources" link on the Pulse Electronics website.
- To order parts in Tape and Reel Packaging add a "T" suffix to the part number (*ie. HX6221NL becomes HX6221NLT).

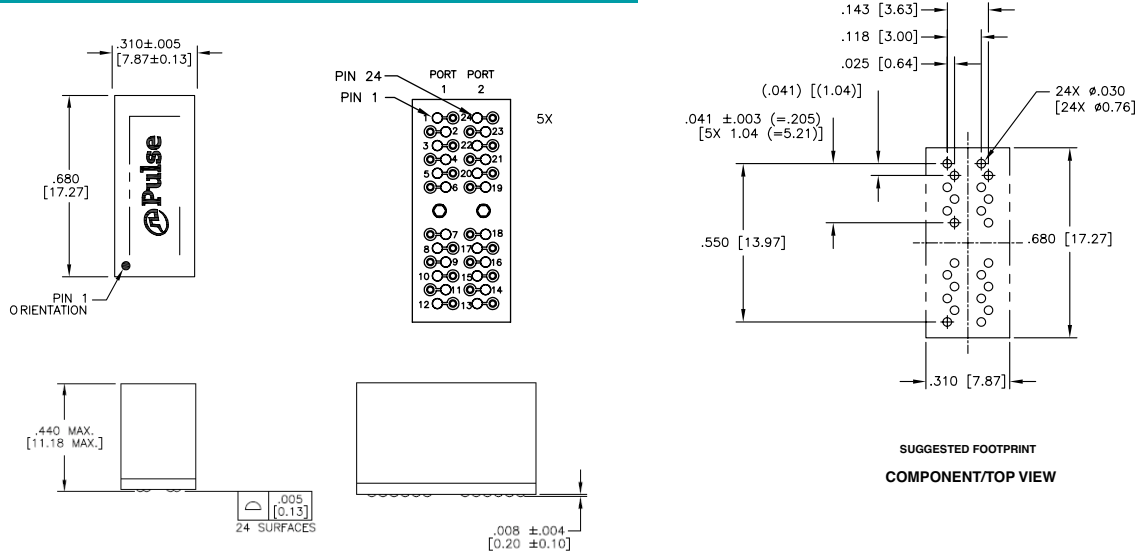
High Density 1Gigabit PoE/PoE+ SMD Modules

BGA Quad/Dual/Single port for flexible PCB placement
 HX52xxNL, HX54xxNL, HX5610NL, and HX6xxxHL



Mechanical

SINGLE PORT - H5610NL, HX5610NL, H6600NL and HX6621NL

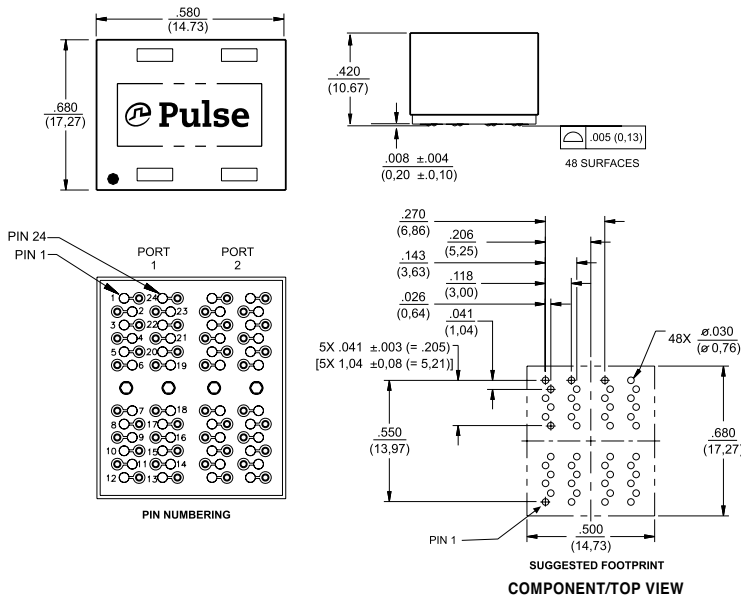


Weight..... 2.5 grams
 Tray/Box..... 60/600
 Reel/Box..... 300/1500

Dimensions: $\frac{\text{Inches}}{\text{mm}}$

Unless otherwise specified,
 all tolerances are $\pm \frac{0.10}{0.25}$

DUAL PORT - H520xNL, HX520xNL, H6200NL and HX6221NL



Weight..... 5 grams
 Tray/Box..... 84/420
 Reel/Box..... 170/850

Dimensions: $\frac{\text{Inches}}{\text{mm}}$

Unless otherwise specified,
 all tolerances are $\pm \frac{0.10}{0.25}$

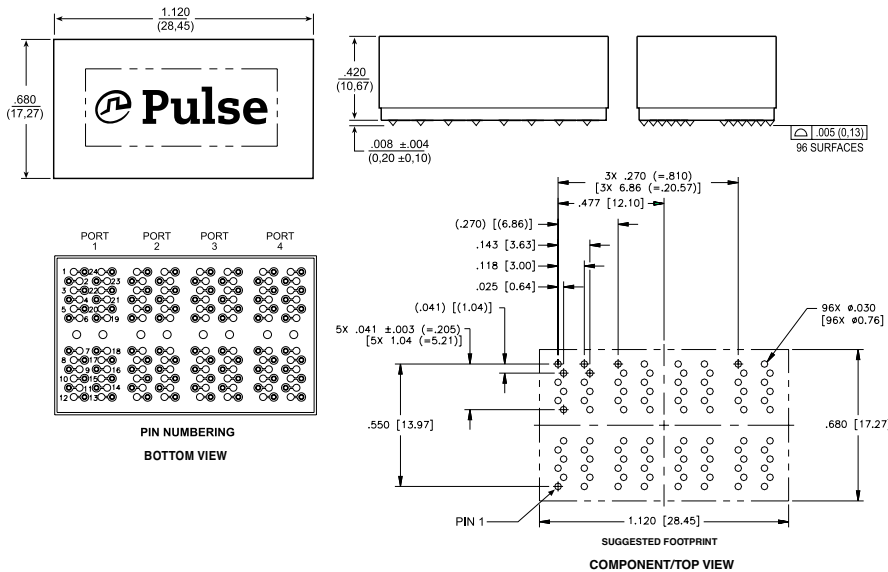
High Density 1Gigabit PoE/PoE+ SMD Modules

BGA Quad/Dual/Single port for flexible PCB placement
 HX52xxNL, HX54xxNL, HX5610NL, and HX6xxHL



Mechanical

QUAD PORT - H540xNL, HX540xNL, H6400NL and HX6400NL



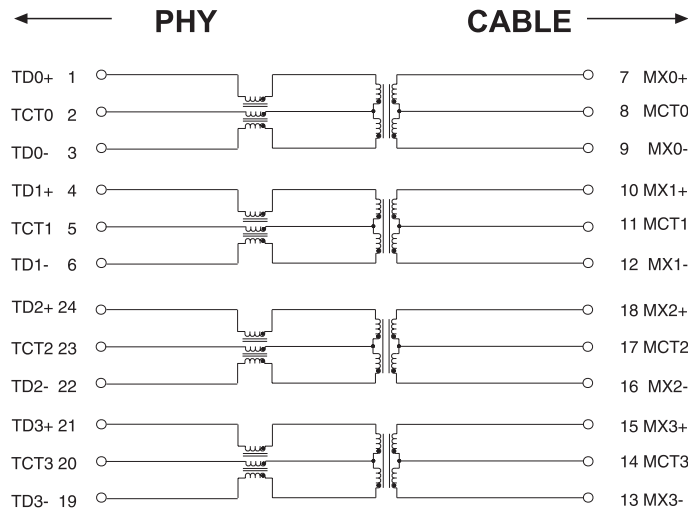
Weight 11 grams
 Tray/Box 60/300
 Reel/Box 170/850

Dimensions: $\frac{\text{Inches}}{\text{mm}}$

Unless otherwise specified,
 all tolerances are $\pm \frac{0.10}{0.25}$

Schematic

H/HX5200NL, H/HX5400NL, H6600NL, HX6621NL, H6200NL, HX6221NL, H/HX6400NL



Schematic shown for one port

DUAL and QUAD designs use the same pad numbering for the 2 and 4 ports

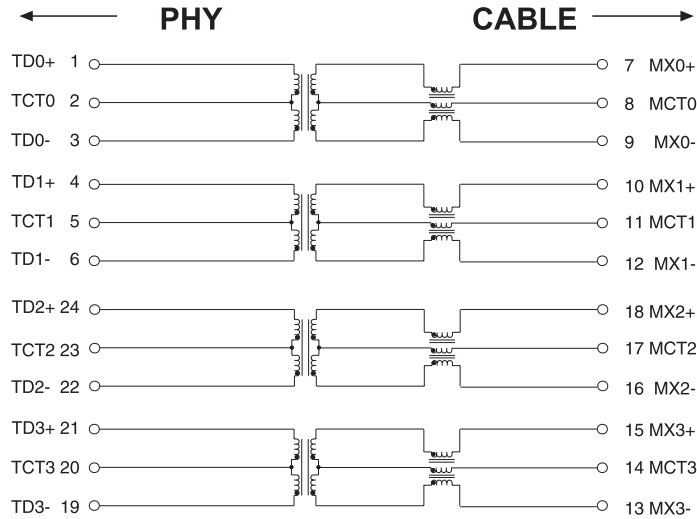
High Density 1Gigabit PoE/PoE+ SMD Modules

BGA Quad/Dual/Single port for flexible PCB placement
 HX52xxNL, HX54xxNL, HX5610NL, and HX6xxxHL



Schematic

H/HX5201NL, H/HX5401NL



Schematic shown for one port

DUAL and QUAD designs use the same pad numbering for the 2 and 4 ports

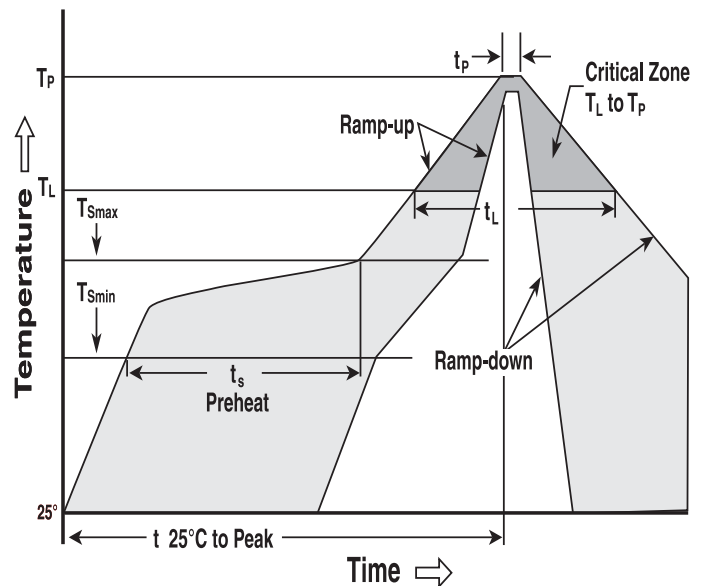
Soldering Information

Solder reflow profile conditions

Profile Feature		Lead-free Solder*
Pre-heat	Temperature Min (T_{Smin})	150°C
	Temperature Max (T_{Smax})	200°C
	Time (t_{Smin} to t_{Smax})	60-180 seconds
Reflow	Liquidus Temperature (T_L)	217°C
	Time (t_L)	60-150 seconds
Peak Temperature (T_P)		245°C ($\pm 5^\circ\text{C}$)
Time within 5°C of peak (T_P)		20-30 seconds
Average Ramp Up Rate (T_{Smax} to T_P)		3°C/second max
Ramp Down Rate		6°C/second max
Time 25°C to Peak Temperature (T_P)		8 minutes max
Parts should not exceed...		245°C

* See Curve

Typical reflow profile

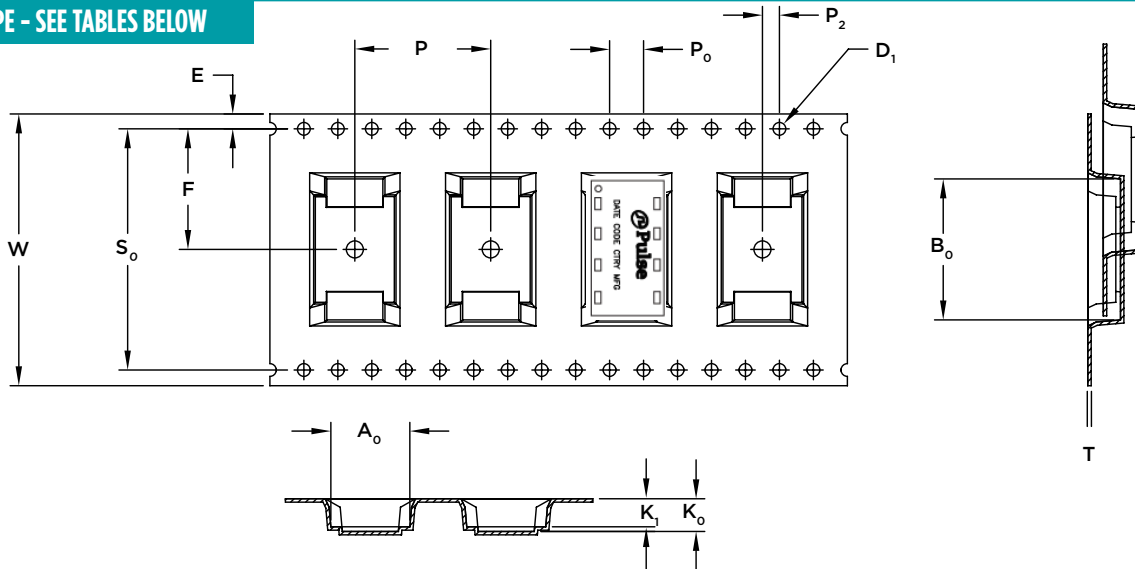


High Density 1Gigabit PoE/PoE+ SMD Modules

BGA Quad/Dual/Single port for flexible PCB placement
 HX52xxNL, HX54xxNL, HX5610NL, and HX6xxxHL

Tape & Reel

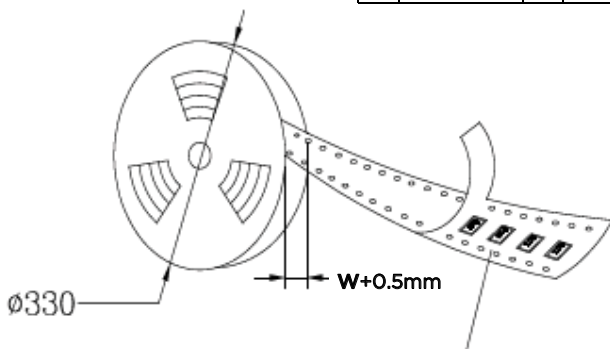
CARRIER TAPE - SEE TABLES BELOW



SINGLE PORT MODULES							
W	32.0±0.30	P	16.00	A ₀	8.20	B ₀	17.60
S ₀	28.40	P ₀	4.00	A ₁	-----	B ₁	-----
E	1.75	P ₂	2.00	A ₂	-----	B ₂	-----
F	14.20	D ₀	-----	K ₀	11.80	K ₁	11.30
T	0.50±0.05	D ₁	1.50 ±0.10 -0.00	QUANTITY PER REEL		300 pieces	

DUAL PORT MODULES							
W	32.0±0.30	P	24.00	A ₀	17.40	B ₀	14.85
S ₀	28.40	P ₀	4.00	A ₁	-----	B ₁	-----
E	1.75	P ₂	2.00	A ₂	-----	B ₂	-----
F	14.20	D ₀	-----	K ₀	11.70	K ₁	11.20
T	0.50±0.05	D ₁	1.50 ±0.10 -0.00	QUANTITY PER REEL		170 pieces	

QUAD PORT MODULES							
W	44.0±0.30	P	24.00	A ₀	17.60	B ₀	28.94
S ₀	40.40	P ₀	4.00	A ₁	-----	B ₁	-----
E	1.75	P ₂	2.00	A ₂	-----	B ₂	-----
F	20.20	D ₀	-----	K ₀	11.70	K ₁	11.20
T	0.50±0.05	D ₁	1.50 ±0.10 -0.00	QUANTITY PER REEL		170 pieces	



All Dimensions meet EIA-481-D requirements.

Component

1. **Material:** Black Conductive Polystyrene
2. **Components per Reel:** see table
3. **Quantity per carton:**

5reels (44mm) x 170 = 850 pcs
 5reels (32mm) X 170 = 850 pcs
 5reels (32mm) x 300 = 1500 pcs

For More Information:

Americas - prod_info_network_americas@yageo.com | Europe - prod_info_network_emea@yageo.com | Asia - prod_info_network_apac@yageo.com

Performance warranty of products offered on this data sheet is limited to the parameters specified. Data is subject to change without notice. Other brand and product names mentioned herein may be trademarks or registered trademarks of their respective owners. © Copyright, 2023. Pulse Electronics, Inc. All rights reserved.

OUR CERTIFICATE

DiGi provide top-quality products and perfect service for customer worldwide through standardization, technological innovation and continuous improvement. DiGi through third-party certification, we stricly control the quality of products and services. Welcome your RFQ to

Email: Info@DiGi-Electronics.com



Tel: +00 852-30501935

RFQ Email: Info@DiGi-Electronics.com

DiGi is a global authorized distributor of electronic components.