

PA4306.274NLT Datasheet

www.digi-electronics.com



<https://www.DiGi-Electronics.com>

DiGi Electronics Part Number	PA4306.274NLT-DG
Manufacturer	Pulse Electronics
Manufacturer Product Number	PA4306.274NLT
Description	FIXED IND 270UH 420MA 4.03OHM SM
Detailed Description	270 μ H Unshielded Wirewound Inductor 420 mA 4.03Ohm Max Nonstandard



Tel: +00 852-30501935

RFQ Email: Info@DiGi-Electronics.com

DiGi is a global authorized distributor of electronic components.

Purchase and inquiry

Manufacturer Product Number:

PA4306.274NLT

Series:

PA4306.XXXNL

Type:

Wirewound

Inductance:

270 μ H

Current Rating (Amps):

420 mA

Shielding:

Unshielded

Q @ Freq:

-

Ratings:

-

Inductance Frequency - Test:

100 kHz

Mounting Type:

Surface Mount

Supplier Device Package:

-

Height - Seated (Max):

0.122" (3.10mm)

Manufacturer:

Pulse Electronics

Product Status:

Active

Material - Core:

-

Tolerance:

\pm 20%

Current - Saturation (Isat):

-

DC Resistance (DCR):

4.030hm Max

Frequency - Self Resonant:

-

Operating Temperature:

-40°C ~ 125°C

Features:

-

Package / Case:

Nonstandard

Size / Dimension:

0.287" L x 0.287" W (7.30mm x 7.30mm)

Environmental & Export classification

RoHS Status:

ROHS3 Compliant

REACH Status:

REACH Unaffected

HTSUS:

8504.50.4000

Moisture Sensitivity Level (MSL):

1 (Unlimited)





ECCN:

EAR99

Unshielded Drum Core Inductor

PA4306.XXXNL, PA4307.XXXNL & PA4308.XXXNL Series



-  **Height:** 3.1mm (PA4306), 3.5mm (PA4307) and 4.8mm (PA4308) Max
-  **Footprint:** 7.3 x 7.3 mm Max
-  **Current Rating:** 0.22A to 12A
-  **Inductance Range:** 1uH to 1000uH

Electrical Specifications @ 25°C – Operating Temperature -40°C to 125°C

Pulse Part Number	Inductance (uH) ^{1,2}	Rated Current (A) Max ³	DC Resistance (mΩ) Max	Package Size (mm)
PA4306.102NLT	1.0	5.9	33	7.3 x 7.3 x 3.1mm Max
PA4306.152NLT	1.5	5.7	35	
PA4306.222NLT	2.2	5	45	
PA4306.332NLT	3.3	4	60	
PA4306.472NLT	4.7	3.3	72	
PA4306.562NLT	5.6	3	85	
PA4306.682NLT	6.8	2.7	120	
PA4306.822NLT	8.2	2.4	130	
PA4306.103NLT	10	2.1	140	
PA4306.153NLT	15	1.8	208	
PA4306.223NLT	22	1.5	286	
PA4306.333NLT	33	1.2	470	
PA4306.473NLT	47	1	640	
PA4306.563NLT	56	0.95	810	
PA4306.683NLT	68	0.82	975	
PA4306.823NLT	82	0.8	1053	
PA4306.104NLT	100	0.75	1210	
PA4306.124NLT	120	0.63	1690	
PA4306.154NLT	150	0.6	1820	
PA4306.184NLT	180	0.52	2340	
PA4306.224NLT	220	0.44	2700	
PA4306.274NLT	270	0.42	4030	
PA4306.334NLT	330	0.4	4680	
PA4306.394NLT	390	0.36	5070	
PA4306.474NLT	470	0.35	5720	
PA4306.564NLT	560	0.3	6630	
PA4306.684NLT	680	0.28	8580	
PA4306.824NLT	820	0.25	11800	
PA4306.105NLT	1000	0.22	14950	

Unshielded Drum Core Inductor

PA4306.XXXNL, PA4307.XXXNL & PA4308.XXXNL Series



Electrical Specifications @ 25°C – Operating Temperature -40°C to 125°C

Pulse Part Number	Inductance (uH) ¹²	Rated Current (A) Max ³	DC Resistance (mΩ) Max	Package Size (mm)
PA4307.102NLT	1.0	7.5	30	7.3 x 7.3 x 3.5mm Max
PA4307.152NLT	1.5	7.3	38	
PA4307.222NLT	2.2	6.8	42	
PA4307.332NLT	3.3	5.4	60	
PA4307.472NLT	4.7	4.6	70	
PA4307.562NLT	5.6	4	85	
PA4307.682NLT	6.8	3.8	95	
PA4307.822NLT	8.2	3.4	130	
PA4307.103NLT	10	2.8	140	
PA4307.153NLT	15	2.5	285	
PA4307.223NLT	22	2	345	
PA4307.333NLT	33	1.8	425	
PA4307.473NLT	47	1.5	587	
PA4307.563NLT	56	1.3	610	
PA4307.683NLT	68	1.2	850	
PA4307.823NLT	82	1.1	1066	
PA4307.104NLT	100	1	1243	
PA4307.124NLT	120	0.9	1620	
PA4307.154NLT	150	0.8	1755	
PA4307.184NLT	180	0.75	2025	
PA4307.224NLT	220	0.63	2700	
PA4307.274NLT	270	0.6	2835	
PA4307.334NLT	330	0.55	3780	
PA4307.394NLT	390	0.5	4825	
PA4307.474NLT	470	0.44	5400	
PA4307.564NLT	560	0.4	7290	
PA4307.684NLT	680	0.35	9585	
PA4307.824NLT	820	0.32	10820	
PA4307.105NLT	1000	0.3	12295	

Unshielded Drum Core Inductor

PA4306.XXXNL, PA4307.XXXNL & PA4308.XXXNL Series



Electrical Specifications @ 25°C – Operating Temperature –40°C to 125°C

Pulse Part Number	Inductance (uH) ^{1,2}	Rated Current (A) Max ³	DC Resistance (mΩ) Max	Package Size (mm)
PA4308.102NLT	1.0	12	35	7.3 x 7.3 x 4.8mm Max
PA4308.152NLT	1.5	11	38	
PA4308.222NLT	2.2	9	42	
PA4308.332NLT	3.3	7.5	50	
PA4308.472NLT	4.7	6	65	
PA4308.562NLT	5.6	5.5	70	
PA4308.682NLT	6.8	5.2	84	
PA4308.822NLT	8.2	4.8	97	
PA4308.103NLT	10	4.3	125	
PA4308.153NLT	15	3.4	158	
PA4308.223NLT	22	2.9	225	
PA4308.333NLT	33	2.3	358	
PA4308.473NLT	47	1.9	486	
PA4308.563NLT	56	1.75	545	
PA4308.683NLT	68	1.6	660	
PA4308.823NLT	82	1.4	885	
PA4308.104NLT	100	1.3	1120	
PA4308.124NLT	120	1.23	1485	
PA4308.154NLT	150	1.1	1647	
PA4308.184NLT	180	1	1863	
PA4308.224NLT	220	0.92	2450	
PA4308.274NLT	270	0.8	2995	
PA4308.334NLT	330	0.7	3888	
PA4308.394NLT	390	0.65	4250	
PA4308.474NLT	470	0.57	5610	
PA4308.564NLT	560	0.53	7830	
PA4308.684NLT	680	0.48	10760	
PA4308.824NLT	820	0.42	12217	
PA4308.105NLT	1000	0.36	17550	

NOTES:

- Inductance tolerance is +/-30% for inductance values between 1uH and 8.2uH and +/-20% for values between 10uH and 680uH.
- Inductance is measured at 100kHz, 250mV
- The rated current as listed is the rms or heating current that the part can withstand with acceptable temperature rise in typical applications. At the listed current the inductance typically drops to 85%-90% of the no load value when measured at 25°C. The inductance is guaranteed to be greater than 65% of the no load inductance value when measured at 25°C.
- The temperature of the component (ambient plus temperature rise) must be within the stated operating temperature.
- Parts come in tape and reel packaging. Pulse complies with industry standard tape and reel specification EIA481. The tape and reel for this product has a width (W=16mm) and pitch (P=12mm).

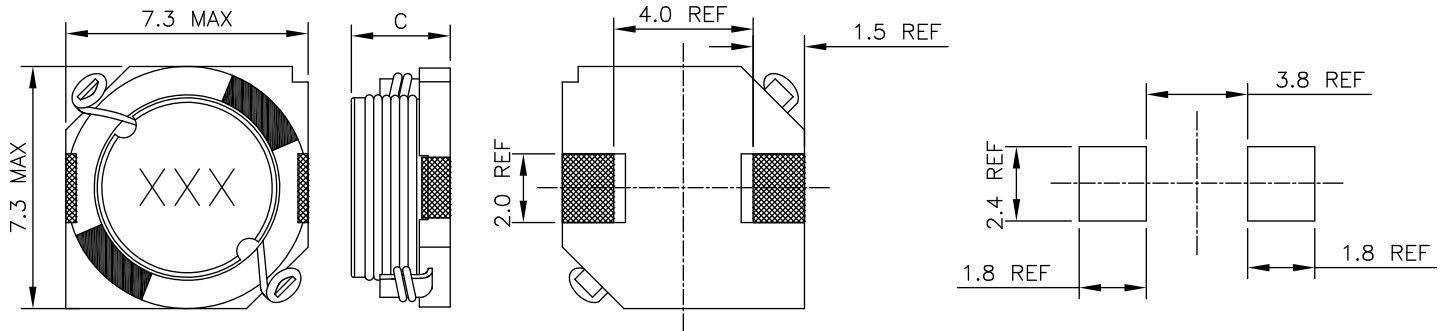
Unshielded Drum Core Inductor

PA4306.XXXNL, PA4307.XXXNL & PA4308.XXXNL Series



Mechanical

PA43XX.XXXNLT



PA4306.XXXNLT - C Dimension is 3.1mm Max
 PA4307.XXXNLT - C Dimension is 3.5mm Max
 PA4308.XXXNLT - C Dimension is 4.8mm Max

Weight0.266 grams (PA4306)
0.314 grams (PA4307)
0.44 grams (PA4308)
Tape & Reel1000/reel

For More Information

Pulse Worldwide Headquarters

15255 Innovation Drive Ste 100
 San Diego, CA 92128
 U.S.A.

Pulse Europe

Pulse Electronics GmbH
 Am Rottland 12
 58540 Meinerzhagen
 Germany

Pulse China Headquarters

Pulse Electronics (ShenZhen) CO., LTD
 D708, Shenzhen Academy of
 Aerospace Technology,
 The 10th Keji South Road,
 Nanshan District, Shenzhen,
 P.R. China 518057

Pulse North China

Room 2704/2705
 Super Ocean Finance Ctr.
 2067 Yan An Road West
 Shanghai 200336
 China

Pulse South Asia

3 Fraser Street 0428
 DUO Tower
 Singapore 189352

Pulse North Asia

1F., No.111 Xiyuan Road
 Zhongli District
 Taoyuan City 32057
 Taiwan (R.O.C)

Tel: 858 674 8100
 Fax: 858 674 8262

Tel: 49 2354 777 100
 Fax: 49 2354 777 168

Tel: 86 755 33966678
 Fax: 86 755 33966700

Tel: 86 21 62787060
 Fax: 86 2162786973

Tel: 65 6287 8998
 Fax: 65 6280 0080

Tel: 886 3 4356768
 Fax: 886 3 4356820

Performance warranty of products offered on this data sheet is limited to the parameters specified. Data is subject to change without notice. Other brand and product names mentioned herein may be trademarks or registered trademarks of their respective owners. © Copyright, 2019. Pulse Electronics, Inc. All rights reserved.

OUR CERTIFICATE

DiGi provide top-quality products and perfect service for customer worldwide through standardization, technological innovation and continuous improvement. DiGi through third-party certification, we strictly control the quality of products and services. Welcome your RFQ to

Email: Info@DiGi-Electronics.com



Tel: +00 852-30501935

RFQ Email: Info@DiGi-Electronics.com

DiGi is a global authorized distributor of electronic components.