

R574302610 Datasheet



DiGi Electronics Part Number	R574302610-DG
Manufacturer	Radiall USA, Inc.
Manufacturer Product Number	R574302610
Description	IC RF SWITCH SP6T 3GHZ
Detailed Description	RF Switch IC General Purpose SP6T 500hm

<https://www.DiGi-Electronics.com>

This model R574302610 is available at DiGi Electronics.

DiGi Electronics offers a global database of semiconductor and electronic component datasheets.

We welcome your inquiries regarding pricing, lead time, or other product-related questions.

 [Request a Quote](#)

 [Datasheet Search](#)



Tel: +00 852-30501935

RFQ Email: Info@DiGi-Electronics.com

DiGi is a global authorized distributor of electronic components.

Purchase and inquiry

Manufacturer Product Number:

R574302610

Series:

-

RF Type:

General Purpose

Circuit:

SP6T

Isolation:

80dB (min)

Test Frequency:

3GHz

IIP3:

-

Impedance:

50Ohm

Operating Temperature:

-40°C ~ 85°C

Supplier Device Package:

-

Manufacturer:

Radiall USA, Inc.

Product Status:

Obsolete

Topology:

-

Frequency Range:

0Hz ~ 3GHz

Insertion Loss:

0.2dB (max)

P1dB:

-

Features:

-

Voltage - Supply:

10.2V ~ 13V

Package / Case:

Module

Environmental & Export classification

Moisture Sensitivity Level (MSL):

Not Applicable

ECCN:

OBSOLETE

PAGE 1/2

ISSUE 22-03-22

SERIE : SPnT

PART NUMBER : R574302610

RF CHARACTERISTICS

Number of ways : **6**
 Frequency range : **0 - 3 GHz**
 Impedance : **50 Ohms**

Frequency (GHz)	DC - 3
VSWR max	1.20
Insertion loss max	0.20 dB
Isolation min	80 dB
Average power (*)	240 W

TERMINATION IMPEDANCE : **50 Ohms**
 TERM. AVG. POWER AT 25° C : **1 W per termination / 3 W total power**

ELECTRICAL CHARACTERISTICS

Actuator : **NORMALLY OPEN**
 Nominal current ** : **250 mA**
 Actuator voltage (Vcc) : **12V (10.2 to 13V) / POSITIVE COMMON**
 Terminals : **solder pins (250°C max. / 30 sec.)**

MECHANICAL CHARACTERISTICS

Connectors : **SMA female per MIL-C 39012**
 Life : **2 million cycles per position**
 Switching Time*** : **< 15 ms**
 Construction : **Splashproof**
 Weight : **< 250 g**

ENVIRONMENTAL CHARACTERISTICS

Operating temperature range : **-40°C to +85°C**
 Storage temperature range : **-55°C to +85°C**

(* Average power at 25°C per RF Path)
 (** At 25° C ±10%)
 (***) Nominal voltage ; 25° C)



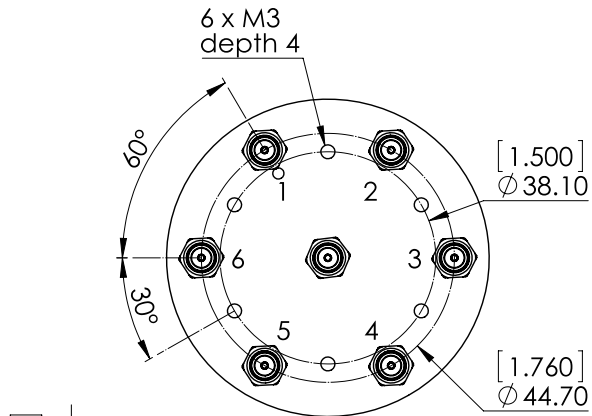
PAGE 2/2

ISSUE 22-03-22

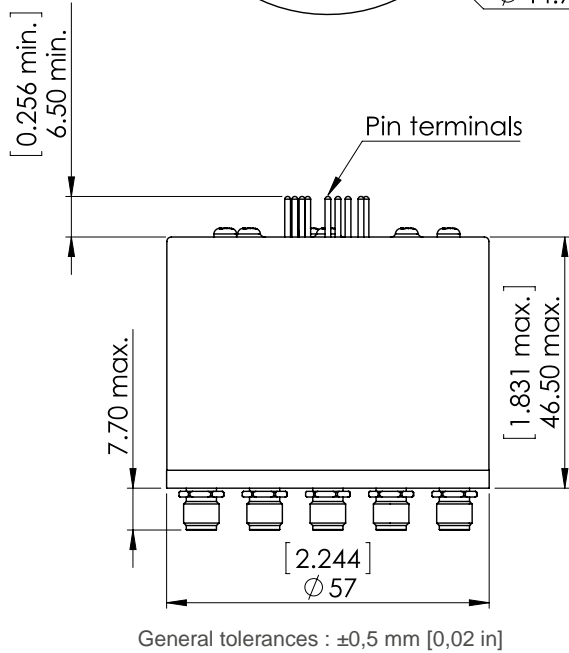
SERIE : SPnT

PART NUMBER : R574302610

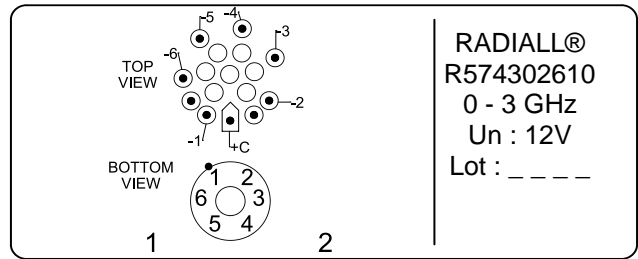
DRAWING



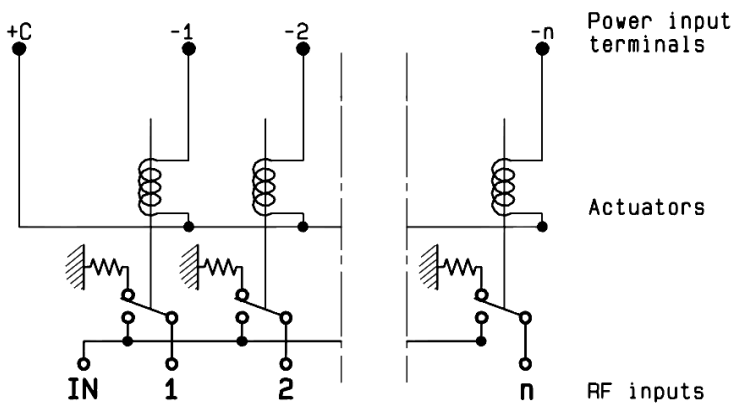
Voltage	RF Continuity
+C -1	IN ↔ 1
+C -2	IN ↔ 2
+C -3	IN ↔ 3
+C -4	IN ↔ 4
+C -5	IN ↔ 5
+C -6	IN ↔ 6



LABEL



SCHEMATIC DIAGRAM



OUR CERTIFICATE

DiGi provide top-quality products and perfect service for customer worldwide through standardization, technological innovation and continuous improvement. DiGi through third-party certification, we stricly control the quality of products and services. Welcome your RFQ to

Email: Info@DiGi-Electronics.com



Tel: +00 852-30501935

RFQ Email: Info@DiGi-Electronics.com

DiGi is a global authorized distributor of electronic components.