

R574413885 Datasheet

www.digi-electronics.com



<https://www.DiGi-Electronics.com>

| | |
|------------------------------|---|
| DiGi Electronics Part Number | R574413885-DG |
| Manufacturer | Radiall USA, Inc. |
| Manufacturer Product Number | R574413885 |
| Description | IC RF SWITCH SP8T 18GHZ |
| Detailed Description | RF Switch IC General Purpose SP8T 500hm |

This model R574413885 is available at DiGi Electronics.

DiGi Electronics offers a global database of semiconductor and electronic component datasheets.

We welcome your inquiries regarding pricing, lead time, or other product-related questions.

 [Request a Quote](#)

 [Datasheet Search](#)



Tel: +00 852-30501935

RFQ Email: Info@DiGi-Electronics.com

DiGi is a global authorized distributor of electronic components.

Purchase and inquiry

Manufacturer Product Number:

R574413885

Series:

-

RF Type:

General Purpose

Circuit:

SP8T

Isolation:

60dB (Min)

Test Frequency:

18GHz

IIP3:

-

Impedance:

50Ohm

Operating Temperature:

-40°C ~ 85°C

Supplier Device Package:

-

Manufacturer:

Radiall USA, Inc.

Product Status:

Last Time Buy

Topology:

-

Frequency Range:

0Hz ~ 18GHz

Insertion Loss:

0.6dB (Max)

P1dB:

-

Features:

-

Voltage - Supply:

24V ~ 30V

Package / Case:

Module

Environmental & Export classification

RoHS Status:

ROHS3 Compliant

Moisture Sensitivity Level (MSL):

Not Applicable

PAGE 1/2

ISSUE 06-02-18

SERIE : SPnT

PART NUMBER : R574413885

RF CHARACTERISTICS

Number of ways : **8**
 Frequency range : **0 - 18 GHz**
 Impedance : **50 Ohms**

| Frequency (GHz) | DC - 3 | 3 - 8 | 8 - 12.4 | 12.4 - 16 | 16 - 18 |
|--------------------|----------------|----------------|----------------|----------------|----------------|
| VSWR max | 1.20 | 1.30 | 1.40 | 1.50 | 1.60 |
| Insertion loss max | 0.20 dB | 0.30 dB | 0.40 dB | 0.55 dB | 0.60 dB |
| Isolation min | 80 dB | 70 dB | 60 dB | 60 dB | 60 dB |
| Average power (*) | 240 W | 150 W | 120 W | 110 W | 100 W |

TERMINATION IMPEDANCE : **50 Ohms**
 TERM. AVG. POWER AT 25° C : **1 W per termination / 3 W total power**

ELECTRICAL CHARACTERISTICS

Actuator : **NORMALLY OPEN**
 Nominal current ** : **102 mA**
 Actuator voltage (Vcc) : **28V (24 to 30V)**
 Terminals : **25 pins D-SUB male connector**
 Indicator rating : **1 W / 30 V / 100 mA**
 BCD inputs (E) - High level : **3.5 to 5.5 V / 800µA at 5.5 V**
 - Low level : **0 to 1.5 V / 20µA at 0.8 V**

MECHANICAL CHARACTERISTICS

Connectors : **SMA female per MIL-C 39012**
 Life : **2 million cycles per position**
 Switching Time*** : **< 15 ms**
 Construction : **Splashproof**
 Weight : **< 280 g**

ENVIRONMENTAL CHARACTERISTICS

Operating temperature range : **-40°C to +85°C**
 Storage temperature range : **-55°C to +85°C**

(* Average power at 25°C per RF Path)

(** At 25° C ±10%)

(*** Nominal voltage ; 25° C)



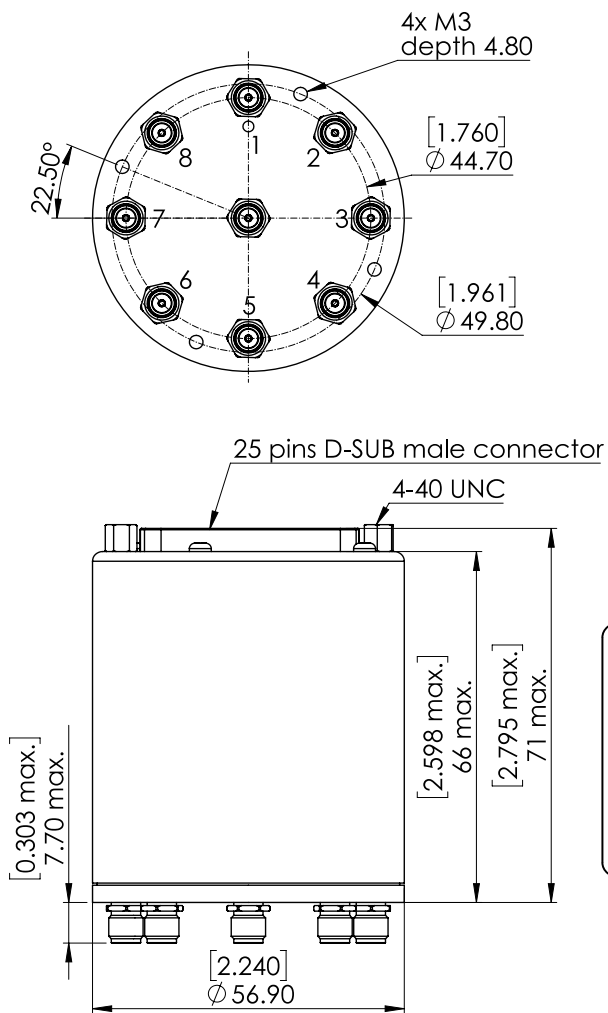
PAGE 2/2

ISSUE 06-02-18

SERIE : SPnT

PART NUMBER : R574413885

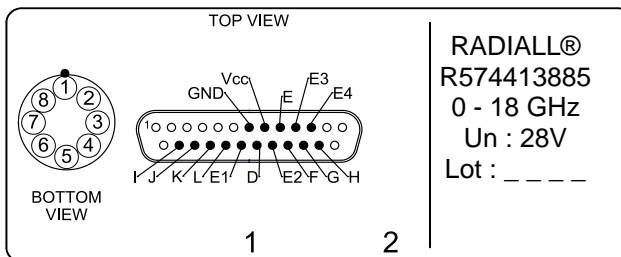
DRAWING



| BCD TRUTH TABLE | | | | | |
|-----------------|----|----|----|----------------|------|
| E4 | E3 | E2 | E1 | RF continuity | Ind. |
| 0 | 0 | 0 | 0 | Last Position | -- |
| 1 | 1 | 1 | 1 | All ports open | |
| 0 | 0 | 0 | 1 | IN ↔ 1 | D.E |
| 0 | 0 | 1 | 0 | IN ↔ 2 | D.F |
| 0 | 0 | 1 | 1 | IN ↔ 3 | D.G |
| 0 | 1 | 0 | 0 | IN ↔ 4 | D.H |
| 0 | 1 | 0 | 1 | IN ↔ 5 | D.I |
| 0 | 1 | 1 | 0 | IN ↔ 6 | D.J |
| 0 | 1 | 1 | 1 | IN ↔ 7 | D.K |
| 1 | 0 | 0 | 0 | IN ↔ 8 | D.L |

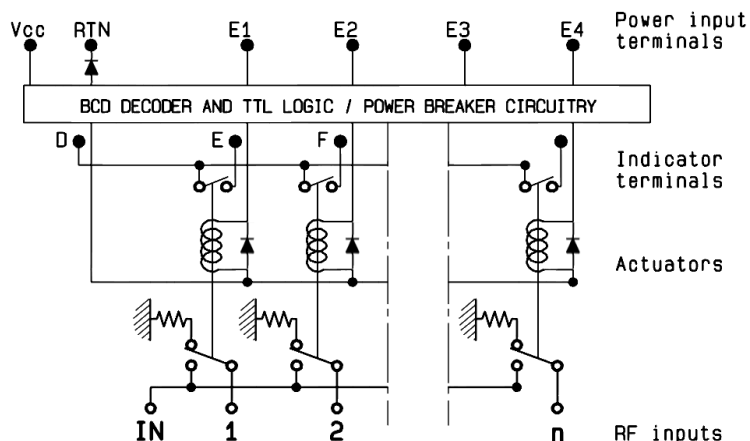
General tolerances : ±0,5 mm [0,02 in]

LABEL



RADIALL®
R574413885
0 - 18 GHz
Un : 28V
Lot : _ _ _ _

SCHEMATIC DIAGRAM



OUR CERTIFICATE

DiGi provide top-quality products and perfect service for customer worldwide through standardization, technological innovation and continuous improvement. DiGi through third-party certification, we stricly control the quality of products and services. Welcome your RFQ to

Email: Info@DiGi-Electronics.com



Tel: +00 852-30501935

RFQ Email: Info@DiGi-Electronics.com

DiGi is a global authorized distributor of electronic components.