

R574J03420 Datasheet

www.digi-electronics.com



<https://www.DiGi-Electronics.com>

| | |
|------------------------------|---|
| DiGi Electronics Part Number | R574J03420-DG |
| Manufacturer | Radiall USA, Inc. |
| Manufacturer Product Number | R574J03420 |
| Description | IC RF SWITCH SP4T 50GHZ |
| Detailed Description | RF Switch IC General Purpose SP4T 50Ohm |

This model R574J03420 is available at DiGi Electronics.

DiGi Electronics offers a global database of semiconductor and electronic component datasheets.

We welcome your inquiries regarding pricing, lead time, or other product-related questions.

 [Request a Quote](#)

 [Datasheet Search](#)



Tel: +00 852-30501935

RFQ Email: Info@DiGi-Electronics.com

DiGi is a global authorized distributor of electronic components.

Purchase and inquiry

Manufacturer Product Number:

R574J03420

Series:

-

RF Type:

General Purpose

Circuit:

SP4T

Isolation:

50dB (min)

Test Frequency:

50GHz

IIP3:

-

Impedance:

50Ohm

Operating Temperature:

-25°C ~ 70°C

Supplier Device Package:

-

Manufacturer:

Radiall USA, Inc.

Product Status:

Active

Topology:

-

Frequency Range:

0Hz ~ 50GHz

Insertion Loss:

1.2dB (Max)

P1dB:

-

Features:

-

Voltage - Supply:

24V ~ 30V

Package / Case:

Module

Environmental & Export classification

RoHS Status:

ROHS3 Compliant

Moisture Sensitivity Level (MSL):

Not Applicable

PAGE 1/2

ISSUE 10-07-19

SERIE : SPnT

PART NUMBER : R574J03420

RF CHARACTERISTICS

Number of ways : 4
 Frequency range : 0 - 50 GHz
 Impedance : 50 Ohms

| Frequency (GHz) | DC - 6 | 6 - 12.4 | 12.4 - 18 | 18 - 26.5 | 26.5 - 40 | 40 - 50 |
|--------------------|---------|----------|-----------|-----------|-----------|---------|
| VSWR max | 1.30 | 1.40 | 1.50 | 1.70 | 1.90 | 2.20 |
| Insertion loss max | 0.20 dB | 0.40 dB | 0.50 dB | 0.70 dB | 0.90 dB | 1.20 dB |
| Isolation min | 70 dB | 60 dB | 60 dB | 55 dB | 50 dB | 50 dB |
| Average power (*) | 40 W | 30 W | 25 W | 15 W | 5 W | 3 W |

TERMINATION IMPEDANCE : 50 Ohms
 TERM. AVG. POWER AT 25° C : 1 W per termination / 3 W total power

ELECTRICAL CHARACTERISTICS

Actuator : NORMALLY OPEN
 Nominal current ** : 102 mA
 Actuator voltage (Vcc) : 28V (24 to 30V)
 Terminals : solder pins (250°C max. / 30 sec.)
 TTL inputs (E) - High level : 2.2 to 5.5 V / 800µA at 5.5 V
 - Low level : 0 to 0.8 V / 20µA at 0.8 V

MECHANICAL CHARACTERISTICS

Connectors : 2.4mm female (According to IEEE STD 287)
 Life : 2 million cycles per position
 Switching Time*** : < 15 ms
 Construction : Splashproof
 Weight : < 250 g

ENVIRONMENTAL CHARACTERISTICS

Operating temperature range : -25°C to +70°C
 Storage temperature range : -40°C to +85°C

(* Average power at 25°C per RF Path)

(** At 25° C ±10%)

(*** Nominal voltage ; 25° C)



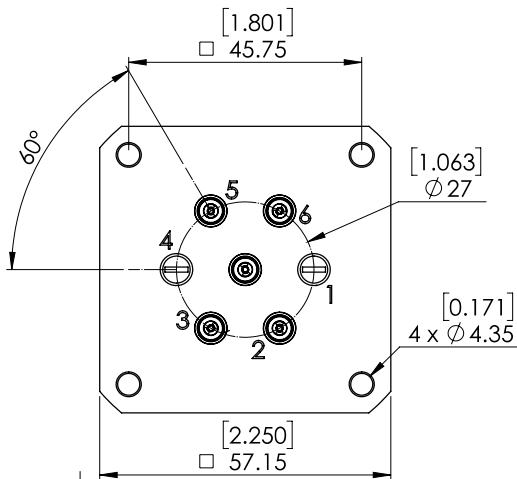
PAGE 2/2

ISSUE 10-07-19

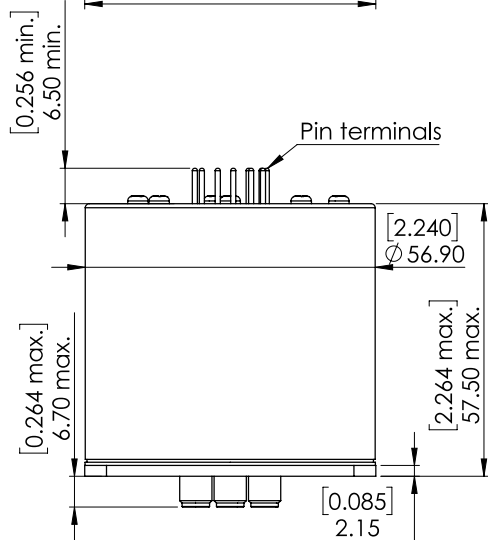
SERIE : SPnT

PART NUMBER : R574J03420

DRAWING

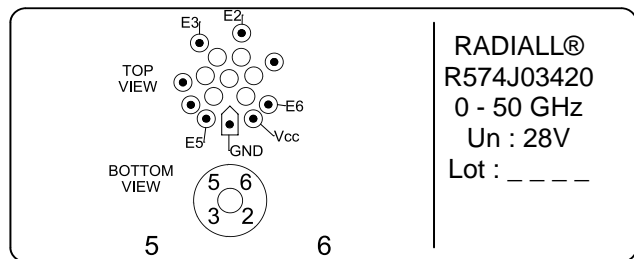


| TTL input | RF Continuity |
|-----------|---------------|
| E2 = 1 | IN ↔ 2 |
| E3 = 1 | IN ↔ 3 |
| E5 = 1 | IN ↔ 5 |
| E6 = 1 | IN ↔ 6 |

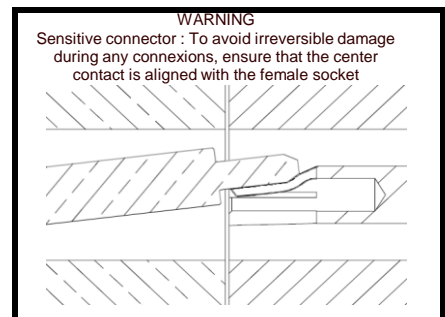
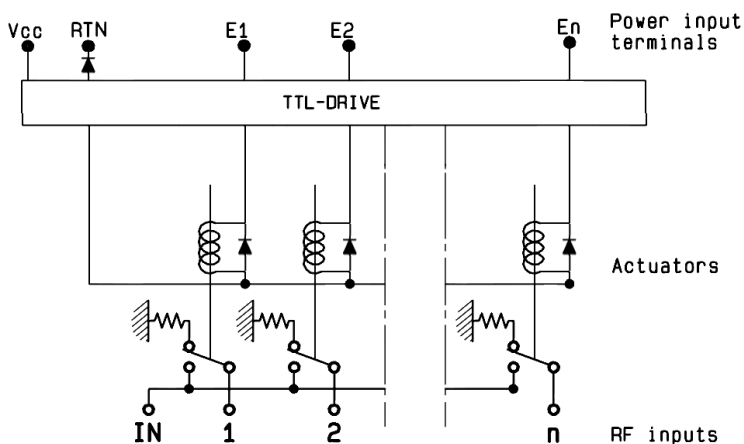


General tolerances : ±0,5 mm [0,02 in]

LABEL



SCHEMATIC DIAGRAM



OUR CERTIFICATE

DiGi provide top-quality products and perfect service for customer worldwide through standardization, technological innovation and continuous improvement. DiGi through third-party certification, we stricly control the quality of products and services. Welcome your RFQ to

Email: Info@DiGi-Electronics.com



Tel: +00 852-30501935

RFQ Email: Info@DiGi-Electronics.com

DiGi is a global authorized distributor of electronic components.