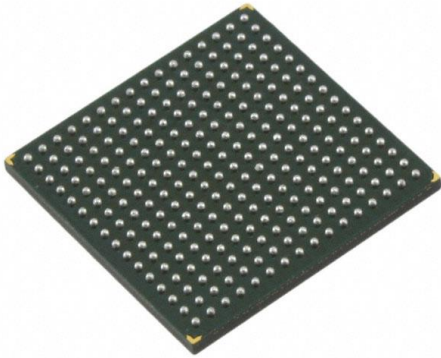


# 70V3379S6BC Datasheet

[www.digi-electronics.com](http://www.digi-electronics.com)



<https://www.DiGi-Electronics.com>

DiGi Electronics Part Number	70V3379S6BC-DG
Manufacturer	<a href="#">Renesas Electronics Corporation</a>
Manufacturer Product Number	70V3379S6BC
Description	IC SRAM 576KBIT PAR 256CABGA
Detailed Description	SRAM - Dual Port, Synchronous Memory IC 576Kbit Parallel 6 ns 256-CABGA (17x17)

This model 70V3379S6BC is available at DiGi Electronics.

DiGi Electronics offers a global database of semiconductor and electronic component datasheets.

We welcome your inquiries regarding pricing, lead time, or other product-related questions.

 [Request a Quote](#)

 [Datasheet Search](#)



Tel: +00 852-30501935

RFQ Email: [Info@DiGi-Electronics.com](mailto:Info@DiGi-Electronics.com)

DiGi is a global authorized distributor of electronic components.

## Purchase and inquiry

Manufacturer Product Number:

70V3379S6BC

Series:

-

DiGi-Electronics Programmable:

Not Verified

Memory Format:

SRAM

Memory Size:

576Kbit

Memory Interface:

Parallel

Access Time:

6 ns

Operating Temperature:

0°C ~ 70°C (TA)

Package / Case:

256-LBGA

Base Product Number:

70V3379

Manufacturer:

Renesas Electronics Corporation

Product Status:

Last Time Buy

Memory Type:

Volatile

Technology:

SRAM - Dual Port, Synchronous

Memory Organization:

32K x 18

Write Cycle Time - Word, Page:

-

Voltage - Supply:

3.15V ~ 3.45V

Mounting Type:

Surface Mount

Supplier Device Package:

256-CABGA (17x17)

## Environmental & Export classification

RoHS Status:

RoHS non-compliant

REACH Status:

REACH Unaffected

HTSUS:

8542.32.0041

Moisture Sensitivity Level (MSL):

4 (72 Hours)

ECCN:

3A991B2B



# HIGH-SPEED 3.3V 32K x 18 SYNCHRONOUS PIPELINED DUAL-PORT STATIC RAM WITH 3.3V OR 2.5V INTERFACE

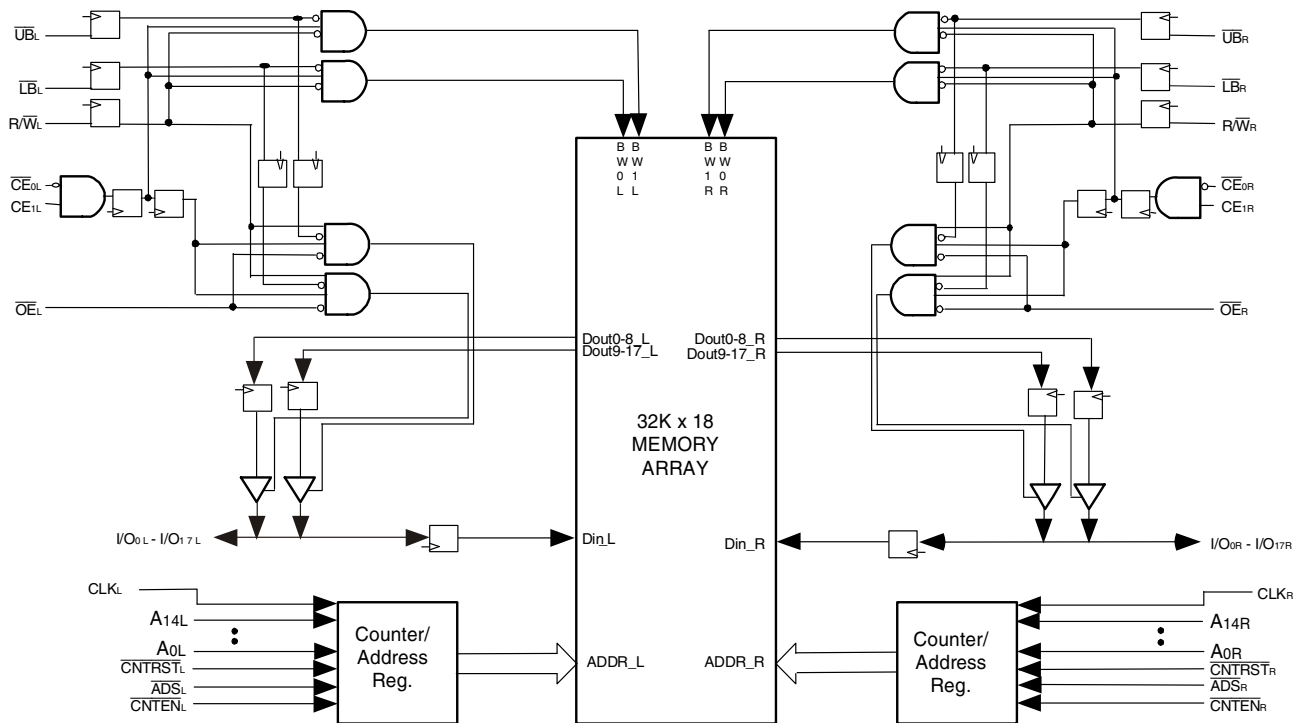
70V3379S

## Features:

- ◆ True Dual-Port memory cells which allow simultaneous access of the same memory location
- ◆ High-speed clock to data access
  - Commercial: 4.2/5/6ns (max.)
  - Industrial: 5ns (max)
- ◆ Pipelined output mode
- ◆ Counter enable and reset features
- ◆ Dual chip enables allow for depth expansion without additional logic
- ◆ Full synchronous operation on both ports
  - 7.5ns cycle time, 133MHz operation (9.6 Gbps bandwidth)
  - Fast 4.2ns clock to data out
  - 1.8ns setup to clock and 0.7ns hold on all control, data, and address inputs @ 133MHz

- Data input, address, byte enable and control registers
- Self-timed write allows fast cycle time
- ◆ Separate byte controls for multiplexed bus and bus matching compatibility
- ◆ LVTTTL-compatible, single 3.3V ( $\pm 150\text{mV}$ ) power supply for core
- ◆ LVTTTL-compatible, selectable 3.3V ( $\pm 150\text{mV}$ )/2.5V ( $\pm 125\text{mV}$ ) power supply for I/Os and control signals on each port
- ◆ Industrial temperature range ( $-40^\circ\text{C}$  to  $+85^\circ\text{C}$ ) is available for selected speeds
- ◆ Available in a 128-pin Thin Quad Plastic Flatpack (TQFP) and 208-pin fine pitch Ball Grid Array, and 256-pin Ball Grid Array
- ◆ Green parts available, see ordering information

## Functional Block Diagram



4833 tbl 01

JULY 2019

70V3379S

High-Speed 3.3v 32K x 18 Dual-Port Synchronous Pipelined Static RAM

Industrial and Commercial Temperature Ranges

Description:

The IDT70V3379 is a high-speed 32K x 18 bit synchronous Dual-Port RAM. The memory array utilizes Dual-Port memory cells to allow simultaneous access of any address from both ports. Registers on control, data, and address inputs provide minimal setup and hold times. The timing latitude provided by this approach allows systems to be designed with very short cycle times. With an input data register, the IDT70V3379 has been optimized for applications having unidirectional or bidirectional data flow

in bursts. An automatic power down feature, controlled by  $\overline{CE}_0$  and  $\overline{CE}_1$ , permits the on-chip circuitry of each port to enter a very low standby power mode.

The 70V3379 can support an operating voltage of either 3.3V or 2.5V on one or both ports, controllable by the OPT pins. The power supply for the core of the device (VDD) remains at 3.3V.

Pin Configuration<sup>(1,2,3,4)</sup>

1	2	3	4	5	6	7	8	9	10	11	12	13	14	15	16	17		
I/O <sub>8L</sub>	NC	V <sub>SS</sub>	NC	NC	NC	A <sub>12L</sub>	A <sub>8L</sub>	NC	V <sub>DD</sub>	CLK <sub>L</sub>	$\overline{CNTEN}_L$	A <sub>4L</sub>	A <sub>0L</sub>	OPT <sub>L</sub>	NC	V <sub>SS</sub>	A	
NC	V <sub>SS</sub>	NC	V <sub>SS</sub>	NC	A <sub>13L</sub>	A <sub>9L</sub>	NC	$\overline{CE}_{0L}$	V <sub>SS</sub>	$\overline{ADS}_L$	A <sub>5L</sub>	A <sub>1L</sub>	V <sub>SS</sub>	V <sub>DDQR</sub>	I/O <sub>8L</sub>	NC	B	
V <sub>DDQL</sub>	I/O <sub>9R</sub>	V <sub>DDQR</sub>	V <sub>DD</sub>	NC	A <sub>14L</sub>	A <sub>10L</sub>	$\overline{UB}_L$	CE <sub>1L</sub>	V <sub>SS</sub>	R/ $\overline{WL}$	A <sub>6L</sub>	A <sub>2L</sub>	V <sub>DD</sub>	I/O <sub>8R</sub>	NC	V <sub>SS</sub>	C	
NC	V <sub>SS</sub>	I/O <sub>10L</sub>	NC	NC	A <sub>11L</sub>	A <sub>7L</sub>	$\overline{LB}_L$	V <sub>DD</sub>	$\overline{OE}_L$	$\overline{CNTFST}_L$	A <sub>3L</sub>	V <sub>DD</sub>	NC	V <sub>DDQL</sub>	I/O <sub>7L</sub>	I/O <sub>7R</sub>	D	
I/O <sub>11L</sub>	NC	V <sub>DDQR</sub>	I/O <sub>10R</sub>	<p style="text-align: center;">70V3379 BF208<sup>(5)</sup></p> <p style="text-align: center;">208-Pin fpBGA Top View<sup>(6)</sup></p>										I/O <sub>6L</sub>	NC	V <sub>SS</sub>	NC	E
V <sub>DDQL</sub>	I/O <sub>11R</sub>	NC	V <sub>SS</sub>											V <sub>SS</sub>	I/O <sub>6R</sub>	NC	V <sub>DDQR</sub>	F
NC	V <sub>SS</sub>	I/O <sub>12L</sub>	NC											NC	V <sub>DDQL</sub>	I/O <sub>5L</sub>	NC	G
V <sub>DD</sub>	NC	V <sub>DDQR</sub>	I/O <sub>12R</sub>											V <sub>DD</sub>	NC	V <sub>SS</sub>	I/O <sub>5R</sub>	H
V <sub>DDQL</sub>	V <sub>DD</sub>	V <sub>SS</sub>	V <sub>SS</sub>											V <sub>SS</sub>	V <sub>DD</sub>	V <sub>SS</sub>	V <sub>DDQR</sub>	J
I/O <sub>14R</sub>	V <sub>SS</sub>	I/O <sub>13R</sub>	V <sub>SS</sub>											I/O <sub>3R</sub>	V <sub>DDQL</sub>	I/O <sub>4R</sub>	V <sub>SS</sub>	K
NC	I/O <sub>14L</sub>	V <sub>DDQR</sub>	I/O <sub>13L</sub>											NC	I/O <sub>3L</sub>	V <sub>SS</sub>	I/O <sub>4L</sub>	L
V <sub>DDQL</sub>	NC	I/O <sub>15R</sub>	V <sub>SS</sub>											V <sub>SS</sub>	NC	I/O <sub>2R</sub>	V <sub>DDQR</sub>	M
NC	V <sub>SS</sub>	NC	I/O <sub>15L</sub>											I/O <sub>1R</sub>	V <sub>DDQL</sub>	NC	I/O <sub>2L</sub>	N
I/O <sub>16R</sub>	I/O <sub>16L</sub>	V <sub>DDQR</sub>	NC											NC	NC	A <sub>12R</sub>	A <sub>8R</sub>	NC
V <sub>SS</sub>	NC	I/O <sub>17R</sub>	NC	NC	A <sub>13R</sub>	A <sub>9R</sub>	NC	$\overline{CE}_{0R}$	V <sub>SS</sub>	$\overline{ADS}_R$	A <sub>5R</sub>	A <sub>1R</sub>	V <sub>SS</sub>	V <sub>DDQL</sub>	I/O <sub>0R</sub>	V <sub>DDQR</sub>	R	
NC	I/O <sub>17L</sub>	V <sub>DDQL</sub>	V <sub>SS</sub>	NC	A <sub>14R</sub>	A <sub>10R</sub>	$\overline{UB}_R$	CE <sub>1R</sub>	V <sub>SS</sub>	R/ $\overline{WR}$	A <sub>6R</sub>	A <sub>2R</sub>	V <sub>SS</sub>	NC	V <sub>SS</sub>	NC	T	
V <sub>SS</sub>	NC	V <sub>DD</sub>	NC	NC	A <sub>11R</sub>	A <sub>7R</sub>	$\overline{LB}_R$	V <sub>DD</sub>	$\overline{OE}_R$	$\overline{CNTFST}_R$	A <sub>3R</sub>	A <sub>0R</sub>	V <sub>DD</sub>	OPT <sub>R</sub>	NC	I/O <sub>0L</sub>	U	

4833 drw 02

NOTES:

1. All V<sub>DD</sub> pins must be connected to 3.3V power supply.
2. All V<sub>DDQ</sub> pins must be connected to appropriate power supply: 3.3V if OPT pin for that port is set to V<sub>IH</sub> (3.3V), and 2.5V if OPT pin for that port is set to V<sub>IL</sub> (0V).
3. All V<sub>SS</sub> pins must be connected to ground supply.
4. Package body is approximately 15mm x 15mm x 1.4mm, with 0.8mm ball pitch.
5. This package code is used to reference the package diagram.
6. This text does not indicate orientation of the actual part-marking.

Pin Configuration<sup>(1,2,3,4)</sup> (con't.)

70V3379

BC256<sup>(5)</sup>

BCG256<sup>(5)</sup>

256-Pin BGA

Top View<sup>(6)</sup>

A1 NC	A2 NC	A3 NC	A4 NC	A5 A14L	A6 A11L	A7 A8L	A8 NC	A9 CE1L	A10 OE <sub>L</sub>	A11 CNTEN <sub>L</sub>	A12 A5L	A13 A2L	A14 A0L	A15 NC	A16 NC
B1 NC	B2 NC	B3 NC	B4 NC	B5 NC	B6 A12L	B7 A9L	B8 UB <sub>L</sub>	B9 CE0 <sub>L</sub>	B10 R/W <sub>L</sub>	B11 CNTRST <sub>L</sub>	B12 A4L	B13 A1L	B14 VDD	B15 NC	B16 NC
C1 NC	C2 I/O9 <sub>L</sub>	C3 VSS	C4 NC	C5 A13L	C6 A10L	C7 A7L	C8 NC	C9 LB <sub>L</sub>	C10 CLK <sub>L</sub>	C11 ADSL	C12 A6L	C13 A3L	C14 OPT <sub>L</sub>	C15 NC	C16 I/O8 <sub>L</sub>
D1 NC	D2 I/O9 <sub>R</sub>	D3 NC	D4 VDD	D5 VDDQL	D6 VDDQL	D7 VDDQR	D8 VDDQR	D9 VDDQL	D10 VDDQL	D11 VDDQR	D12 VDDQR	D13 VDD	D14 NC	D15 NC	D16 I/O8 <sub>R</sub>
E1 I/O10 <sub>R</sub>	E2 I/O10 <sub>L</sub>	E3 NC	E4 VDDQL	E5 VDD	E6 VDD	E7 VSS	E8 VSS	E9 VSS	E10 VSS	E11 VDD	E12 VDD	E13 VDDQR	E14 NC	E15 I/O7 <sub>L</sub>	E16 I/O7 <sub>R</sub>
F1 I/O11 <sub>L</sub>	F2 NC	F3 I/O11 <sub>R</sub>	F4 VDDQL	F5 VDD	F6 VSS	F7 VSS	F8 VSS	F9 VSS	F10 VSS	F11 VSS	F12 VDD	F13 VDDQR	F14 I/O6 <sub>R</sub>	F15 NC	F16 I/O6 <sub>L</sub>
G1 NC	G2 NC	G3 I/O12 <sub>L</sub>	G4 VDDQR	G5 VSS	G6 VSS	G7 VSS	G8 VSS	G9 VSS	G10 VSS	G11 VSS	G12 VSS	G13 VDDQL	G14 I/O5 <sub>L</sub>	G15 NC	G16 NC
H1 NC	H2 I/O12 <sub>R</sub>	H3 NC	H4 VDDQR	H5 VSS	H6 VSS	H7 VSS	H8 VSS	H9 VSS	H10 VSS	H11 VSS	H12 VSS	H13 VDDQL	H14 NC	H15 NC	H16 I/O5 <sub>R</sub>
J1 I/O13 <sub>L</sub>	J2 I/O14 <sub>R</sub>	J3 I/O13 <sub>R</sub>	J4 VDDQL	J5 VSS	J6 VSS	J7 VSS	J8 VSS	J9 VSS	J10 VSS	J11 VSS	J12 VSS	J13 VDDQR	J14 I/O4 <sub>R</sub>	J15 I/O3 <sub>R</sub>	J16 I/O4 <sub>L</sub>
K1 NC	K2 NC	K3 I/O14 <sub>L</sub>	K4 VDDQL	K5 VSS	K6 VSS	K7 VSS	K8 VSS	K9 VSS	K10 VSS	K11 VSS	K12 VSS	K13 VDDQR	K14 NC	K15 NC	K16 I/O3 <sub>L</sub>
L1 I/O15 <sub>L</sub>	L2 NC	L3 I/O15 <sub>R</sub>	L4 VDDQR	L5 VDD	L6 VSS	L7 VSS	L8 VSS	L9 VSS	L10 VSS	L11 VSS	L12 VDD	L13 VDDQL	L14 I/O2 <sub>L</sub>	L15 NC	L16 I/O2 <sub>R</sub>
M1 I/O16 <sub>R</sub>	M2 I/O16 <sub>L</sub>	M3 NC	M4 VDDQR	M5 VDD	M6 VDD	M7 VSS	M8 VSS	M9 VSS	M10 VSS	M11 VDD	M12 VDD	M13 VDDQL	M14 I/O1 <sub>R</sub>	M15 I/O1 <sub>L</sub>	M16 NC
N1 NC	N2 I/O17 <sub>R</sub>	N3 NC	N4 VDD	N5 VDDQR	N6 VDDQR	N7 VDDQL	N8 VDDQL	N9 VDDQR	N10 VDDQR	N11 VDDQL	N12 VDDQL	N13 VDD	N14 NC	N15 I/O0 <sub>R</sub>	N16 NC
P1 NC	P2 I/O17 <sub>L</sub>	P3 NC	P4 NC	P5 A13 <sub>R</sub>	P6 A10 <sub>R</sub>	P7 A7 <sub>R</sub>	P8 NC	P9 LB <sub>R</sub>	P10 CLK <sub>R</sub>	P11 ADSR	P12 A6 <sub>R</sub>	P13 A3 <sub>R</sub>	P14 NC	P15 NC	P16 I/O0 <sub>L</sub>
R1 NC	R2 NC	R3 NC	R4 NC	R5 NC	R6 A12 <sub>R</sub>	R7 A9 <sub>R</sub>	R8 UB <sub>R</sub>	R9 CE0 <sub>R</sub>	R10 R/W <sub>R</sub>	R11 CNTRST <sub>R</sub>	R12 A4 <sub>R</sub>	R13 A1 <sub>R</sub>	R14 OPT <sub>R</sub>	R15 NC	R16 NC
T1 NC	T2 NC	T3 NC	T4 NC	T5 A14 <sub>R</sub>	T6 A11 <sub>R</sub>	T7 A8 <sub>R</sub>	T8 NC	T9 CE1 <sub>R</sub>	T10 OE <sub>R</sub>	T11 CNTEN <sub>R</sub>	T12 A5 <sub>R</sub>	T13 A2 <sub>R</sub>	T14 A0 <sub>R</sub>	T15 NC	T16 NC

4833 drw 02c

NOTES:

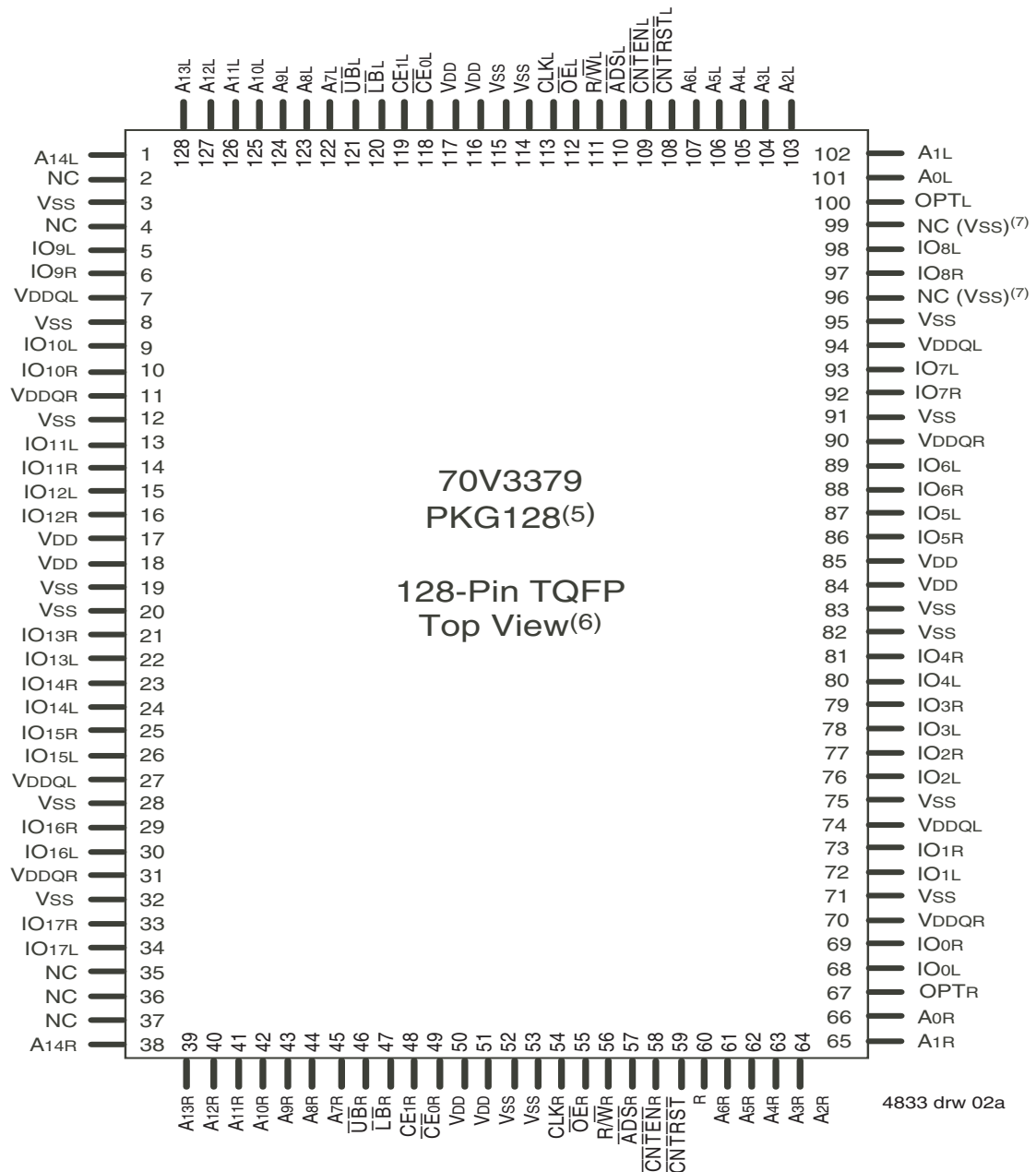
1. All VDD pins must be connected to 3.3V power supply.
2. All VDDQ pins must be connected to appropriate power supply: 3.3V if OPT pin for that port is set to VIH (3.3V), and 2.5V if OPT pin for that port is set to VIL (0V).
3. All VSS pins must be connected to ground supply.
4. Package body is approximately 17mm x 17mm x 1.4mm, with 1.0mm ball-pitch.
5. This package code is used to reference the package diagram.
6. This text does not indicate orientation of the actual part-marking.

70V3379S

High-Speed 3.3v 32K x 18 Dual-Port Synchronous Pipelined Static RAM

Industrial and Commercial Temperature Ranges

Pin Configuration<sup>(1,2,3,4)</sup> (con't.)



NOTES:

1. All VDD pins must be connected to 3.3V power supply.
2. All VDDQ pins must be connected to appropriate power supply: 3.3V if OPT pin for that port is set to VIH (3.3V), and 2.5V if OPT pin for that port is set to VIL (0V).
3. All VSS pins must be connected to ground supply.
4. Package body is approximately 14mm x 20mm x 1.4mm.
5. This package code is used to reference the package diagram.
6. This text does not indicate orientation of the actual part-marking.
7. In the 70V3379 (32K x 18) and 70V3389 (64K x 18), pins 96 and 99 are NC. The upgrade devices 70V3399 (128K x 18) and 70V3319 (256K x 18) assign these pins as VSS. Customers who plan to take advantage of the upgrade path should treat these pins as VSS on the 70V3379 and 70V3389. If no upgrade is needed, the pins can be treated as NC.

**70V3379S**
**High-Speed 3.3v 32K x 18 Dual-Port Synchronous Pipelined Static RAM**
**Industrial and Commercial Temperature Ranges**

## Pin Names

Left Port	Right Port	Names
$\overline{CE}_{0L}$ , CE <sub>1L</sub>	$\overline{CE}_{0R}$ , CE <sub>1R</sub>	Chip Enables
R/ $\overline{W}$ <sub>L</sub>	R/ $\overline{W}$ <sub>R</sub>	Read/Write Enable
$\overline{OE}_L$	$\overline{OE}_R$	Output Enable
A <sub>0L</sub> - A <sub>14L</sub>	A <sub>0R</sub> - A <sub>14R</sub>	Address
I/O <sub>0L</sub> - I/O <sub>17L</sub>	I/O <sub>0R</sub> - I/O <sub>17R</sub>	Data Input/Output
CLK <sub>L</sub>	CLK <sub>R</sub>	Clock
$\overline{ADS}_L$	$\overline{ADS}_R$	Address Strobe Enable
$\overline{CNTEN}_L$	$\overline{CNTEN}_R$	Counter Enable
$\overline{CNTRST}_L$	$\overline{CNTRST}_R$	Counter Reset
UB <sub>L</sub> - LB <sub>L</sub>	UB <sub>R</sub> - LB <sub>R</sub>	Byte Enables (9-bit bytes)
V <sub>DD0L</sub>	V <sub>DD0R</sub>	Power (I/O Bus) (3.3V or 2.5V) <sup>(1)</sup>
OPT <sub>L</sub>	OPT <sub>R</sub>	Option for selecting V <sub>DD0x</sub> <sup>(1,2)</sup>
V <sub>DD</sub>		Power (3.3V) <sup>(1)</sup>
V <sub>SS</sub>		Ground (0V)

4833 tbl 01

**NOTES:**

- V<sub>DD</sub>, OPT<sub>x</sub>, and V<sub>DD0x</sub> must be set to appropriate operating levels prior to applying inputs on the I/Os and controls for that port.
- OPT<sub>x</sub> selects the operating voltage levels for the I/Os and controls on that port. If OPT<sub>x</sub> is set to VIH (3.3V), then that port's I/Os and controls will operate at 3.3V levels and V<sub>DD0x</sub> must be supplied at 3.3V. If OPT<sub>x</sub> is set to VIL (0V), then that port's I/Os and controls will operate at 2.5V levels and V<sub>DD0x</sub> must be supplied at 2.5V. The OPT pins are independent of one another—both ports can operate at 3.3V levels, both can operate at 2.5V levels, or either can operate at 3.3V with the other at 2.5V.

## Truth Table I—Read/Write and Enable Control<sup>(1,2,3)</sup>

$\overline{OE}$	CLK	$\overline{CE}_0$	CE <sub>1</sub>	$\overline{UB}$	$\overline{LB}$	R/ $\overline{W}$	Upper Byte I/O <sub>9-18</sub>	Lower Byte I/O <sub>0-8</sub>	MODE
X	↑	L	H	H	H	X	High-Z	High-Z	All Bytes Deselected
X	↑	L	H	H	L	L	High-Z	D <sub>IN</sub>	Write to Lower Byte Only
X	↑	L	H	L	H	L	D <sub>IN</sub>	High-Z	Write to Upper Byte Only
X	↑	L	H	L	L	L	D <sub>IN</sub>	D <sub>IN</sub>	Write to Both Bytes
L	↑	L	H	H	L	H	High-Z	D <sub>OUT</sub>	Read Lower Byte Only
L	↑	L	H	L	H	H	D <sub>OUT</sub>	High-Z	Read Upper Byte Only
L	↑	L	H	L	L	H	D <sub>OUT</sub>	D <sub>OUT</sub>	Read Both Bytes
H	↑	L	H	L	L	X	High-Z	High-Z	Outputs Disabled

4833 tbl 02

**NOTES:**

- "H" = V<sub>IH</sub>, "L" = V<sub>IL</sub>, "X" = Don't Care.
- $\overline{ADS}$ ,  $\overline{CNTEN}$ ,  $\overline{CNTRST}$  = X.
- $\overline{OE}$  is an asynchronous input signal.

70V3379S

High-Speed 3.3v 32K x 18 Dual-Port Synchronous Pipelined Static RAM

Industrial and Commercial Temperature Ranges

Truth Table II—Address Counter Control<sup>(1,2)</sup>

Address	Previous Address	Addr Used	CLK <sup>(6)</sup>	$\overline{ADS}$	$\overline{CNTEN}$	$\overline{CNRST}$	I/O <sup>(3)</sup>	MODE
X	X	0	↑	X	X	L <sup>(4)</sup>	D <sub>IO</sub> (0)	Counter Reset to Address 0
An	X	An	↑	L <sup>(4)</sup>	X	H	D <sub>IO</sub> (n)	External Address Used
An	Ap	Ap	↑	H	H	H	D <sub>IO</sub> (p)	External Address Blocked—Counter disabled (Ap reused)
X	Ap	Ap + 1	↑	H	L <sup>(5)</sup>	H	D <sub>IO</sub> (p+1)	Counter Enabled—Internal Address generation

4833 tbl 03

NOTES:

- "H" = V<sub>IH</sub>, "L" = V<sub>IL</sub>, "X" = Don't Care.
- Read and write operations are controlled by the appropriate setting of  $\overline{RW}$ ,  $\overline{CE_0}$ , CE<sub>1</sub>,  $\overline{BEn}$  and  $\overline{OE}$ .
- Outputs are in Pipelined mode: the data out will be delayed by one cycle.
- $\overline{ADS}$  and  $\overline{CNRST}$  are independent of all other memory control signals including  $\overline{CE_0}$ , CE<sub>1</sub> and  $\overline{BEn}$
- The address counter advances if  $\overline{CNTEN}$  = V<sub>IL</sub> on the rising edge of CLK, regardless of all other memory control signals including  $\overline{CE_0}$ , CE<sub>1</sub>,  $\overline{BEn}$ .

Recommended Operating Temperature and Supply Voltage<sup>(1)</sup>

Grade	Ambient Temperature	GND	V <sub>DD</sub>
Commercial	0°C to +70°C	0V	3.3V ± 150mV
Industrial	-40°C to +85°C	0V	3.3V ± 150mV

4833 tbl 04

NOTE:

- This is the parameter T<sub>A</sub>. This is the "instant on" case temperature.

Recommended DC Operating Conditions with V<sub>DDQ</sub> at 2.5V

Symbol	Parameter	Min.	Typ.	Max.	Unit
V <sub>DD</sub>	Core Supply Voltage	3.15	3.3	3.45	V
V <sub>DDQ</sub>	I/O Supply Voltage <sup>(3)</sup>	2.375	2.5	2.625	V
V <sub>SS</sub>	Ground	0	0	0	V
V <sub>IH</sub>	Input High Voltage <sup>(3)</sup> (Address & Control Inputs)	1.7	—	V <sub>DDQ</sub> + 125mV <sup>(2)</sup>	V
V <sub>IH</sub>	Input High Voltage - I/O <sup>(3)</sup>	1.7	—	V <sub>DDQ</sub> + 125mV <sup>(2)</sup>	V
V <sub>IL</sub>	Input Low Voltage	-0.3 <sup>(1)</sup>	—	0.7	V

4833 tbl 05a

NOTES:

- V<sub>IL</sub> ≥ -1.5V for pulse width less than 10 ns.
- V<sub>TERM</sub> must not exceed V<sub>DDQ</sub> + 125mV.
- To select operation at 2.5V levels on the I/Os and controls of a given port, the OPT pin for that port must be set to V<sub>IL</sub> (0V), and V<sub>DDQX</sub> for that port must be supplied as indicated above.

Absolute Maximum Ratings<sup>(1)</sup>

Symbol	Rating	Commercial & Industrial	Unit
V <sub>TERM</sub> <sup>(2)</sup>	Terminal Voltage with Respect to GND	-0.5 to +4.6	V
T <sub>BIAS</sub>	Temperature Under Bias	-55 to +125	°C
T <sub>STG</sub>	Storage Temperature	-65 to +150	°C
I <sub>OUT</sub>	DC Output Current	50	mA

4833 tbl 06

NOTES:

- Stresses greater than those listed under ABSOLUTE MAXIMUM RATINGS may cause permanent damage to the device. This is a stress rating only and functional operation of the device at these or any other conditions above those indicated in the operational sections of this specification is not implied. Exposure to absolute maximum rating conditions for extended periods may affect reliability.
- V<sub>TERM</sub> must not exceed V<sub>DD</sub> + 150mV for more than 25% of the cycle time or 4ns maximum, and is limited to ≤ 20mA for the period of V<sub>TERM</sub> ≥ V<sub>DD</sub> + 150mV.

Recommended DC Operating Conditions with V<sub>DDQ</sub> at 3.3V

Symbol	Parameter	Min.	Typ.	Max.	Unit
V <sub>DD</sub>	Core Supply Voltage	3.15	3.3	3.45	V
V <sub>DDQ</sub>	I/O Supply Voltage <sup>(3)</sup>	3.15	3.3	3.45	V
V <sub>SS</sub>	Ground	0	0	0	V
V <sub>IH</sub>	Input High Voltage (Address & Control Inputs) <sup>(3)</sup>	2.0	—	V <sub>DDQ</sub> + 150mV <sup>(2)</sup>	V
V <sub>IH</sub>	Input High Voltage - I/O <sup>(3)</sup>	2.0	—	V <sub>DDQ</sub> + 150mV <sup>(2)</sup>	V
V <sub>IL</sub>	Input Low Voltage	-0.3 <sup>(1)</sup>	—	0.8	V

4833 tbl 05b

NOTES:

- V<sub>IL</sub> ≥ -1.5V for pulse width less than 10 ns.
- V<sub>TERM</sub> must not exceed V<sub>DDQ</sub> + 150mV.
- To select operation at 3.3V levels on the I/Os and controls of a given port, the OPT pin for that port must be set to V<sub>IH</sub> (3.3V), and V<sub>DDQX</sub> for that port must be supplied as indicated above.

**70V3379S**
**High-Speed 3.3v 32K x 18 Dual-Port Synchronous Pipelined Static RAM**
**Industrial and Commercial Temperature Ranges**

## Capacitance<sup>(1)</sup>

(TA = +25°C, F = 1.0MHz) TQFP ONLY

Symbol	Parameter	Conditions <sup>(2)</sup>	Max.	Unit
C <sub>IN</sub>	Input Capacitance	V <sub>IN</sub> = 3dV	8	pF
C <sub>OUT</sub> <sup>(3)</sup>	Output Capacitance	V <sub>OUT</sub> = 3dV	10.5	pF

4833 tbl 07

**NOTES:**

- These parameters are determined by device characterization, but are not production tested.
- 3dV references the interpolated capacitance when the input and output switch from 0V to 3V or from 3V to 0V.
- C<sub>OUT</sub> also references C<sub>IO</sub>.

## DC Electrical Characteristics Over the Operating Temperature and Supply Voltage Range (V<sub>DD</sub> = 3.3V ± 150mV)

Symbol	Parameter	Test Conditions	70V3379S		Unit
			Min.	Max.	
I <sub>LI</sub>	Input Leakage Current <sup>(1)</sup>	V <sub>DDQ</sub> = Max., V <sub>IN</sub> = 0V to V <sub>DDQ</sub>	—	10	μA
I <sub>LO</sub>	Output Leakage Current	$\overline{CE}_0 = V_{IH}$ or CE1 = V <sub>IL</sub> , V <sub>OUT</sub> = 0V to V <sub>DDQ</sub>	—	10	μA
V <sub>OL</sub> (3.3V)	Output Low Voltage <sup>(2)</sup>	I <sub>OL</sub> = +4mA, V <sub>DDQ</sub> = Min.	—	0.4	V
V <sub>OH</sub> (3.3V)	Output High Voltage <sup>(2)</sup>	I <sub>OH</sub> = -4mA, V <sub>DDQ</sub> = Min.	2.4	—	V
V <sub>OL</sub> (2.5V)	Output Low Voltage <sup>(2)</sup>	I <sub>OL</sub> = +2mA, V <sub>DDQ</sub> = Min.	—	0.4	V
V <sub>OH</sub> (2.5V)	Output High Voltage <sup>(2)</sup>	I <sub>OH</sub> = -2mA, V <sub>DDQ</sub> = Min.	2.0	—	V

4833 tbl 08

**NOTES:**

- At V<sub>DD</sub> ≤ -2.0V input leakages are undefined.
- V<sub>DDQ</sub> is selectable (3.3V/2.5V) via OPT pins. Refer to p.4 for details.

**70V3379S**
**High-Speed 3.3v 32K x 18 Dual-Port Synchronous Pipelined Static RAM**
**Industrial and Commercial Temperature Ranges**
**DC Electrical Characteristics Over the Operating Temperature and Supply Voltage Range<sup>(3)</sup> ( $V_{DD} = 3.3V \pm 150mV$ )**

Symbol	Parameter	Test Condition	Version	70V3379S4 Com'l Only		70V3379S5 Com'l & Ind		70V3379S6 Com'l Only		Unit	
				Typ. <sup>(4)</sup>	Max.	Typ. <sup>(4)</sup>	Max.	Typ. <sup>(4)</sup>	Max.		
IDD	Dynamic Operating Current (Both Ports Active)	$\overline{CE}_L$ and $\overline{CE}_R = V_{IL}$ , Outputs Disabled, $f = f_{MAX}^{(1)}$	COM'L	S	375	460	285	360	245	310	mA
			IND	S	—	—	285	415	—	—	
ISB1	Standby Current (Both Ports - TTL Level Inputs)	$\overline{CE}_L = \overline{CE}_R = V_{IH}$ $f = f_{MAX}^{(1)}$	COM'L	S	145	190	105	145	95	125	mA
			IND	S	—	—	105	175	—	—	
ISB2	Standby Current (One Port - TTL Level Inputs)	$\overline{CE}^{*A} = V_{IL}$ and $\overline{CE}^{*B} = V_{IH}^{(5)}$ Active Port Outputs Disabled, $f = f_{MAX}^{(1)}$	COM'L	S	265	325	190	260	175	225	mA
			IND	S	—	—	190	300	—	—	
ISB3	Full Standby Current (Both Ports - CMOS Level Inputs)	Both Ports $\overline{CE}_L$ and $\overline{CE}_R \geq V_{DDQ} - 0.2V$ , $V_{IN} \geq V_{DDQ} - 0.2V$ or $V_{IN} \leq 0.2V$ , $f = 0^{(2)}$	COM'L	S	6	15	6	15	6	15	mA
			IND	S	—	—	6	30	—	—	
ISB4	Full Standby Current (One Port - CMOS Level Inputs)	$\overline{CE}^{*A} \leq 0.2V$ and $\overline{CE}^{*B} \geq V_{DDQ} - 0.2V^{(5)}$ $V_{IN} \geq V_{DDQ} - 0.2V$ or $V_{IN} \leq 0.2V$ , Active Port, Outputs Disabled, $f = f_{MAX}^{(1)}$	COM'L	S	265	325	180	260	170	225	mA
			IND	S	—	—	180	300	—	—	

4833 tbl 09

**NOTES:**

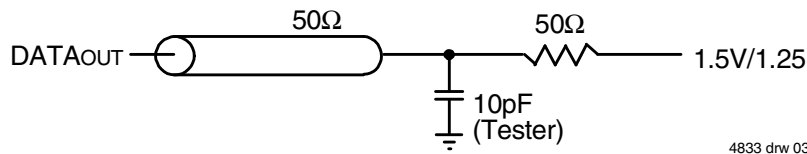
- At  $f = f_{MAX}$ , address and control lines (except Output Enable) are cycling at the maximum frequency clock cycle of  $1/t_{cyc}$ , using "AC TEST CONDITIONS" at input levels of GND to 3V.
- $f = 0$  means no address, clock, or control lines change. Applies only to input at CMOS level standby.
- Port "A" may be either left or right port. Port "B" is the opposite from port "A".
- $V_{DD} = 3.3V$ ,  $T_A = 25^\circ C$  for Typ, and are not production tested.  $I_{DD} \text{ dc}(f=0) = 120mA$  (Typ).
- $\overline{CE}_X = V_{IL}$  means  $\overline{CE}_{0X} = V_{IL}$  and  $CE_{1X} = V_{IH}$   
 $\overline{CE}_X = V_{IH}$  means  $\overline{CE}_{0X} = V_{IH}$  or  $CE_{1X} = V_{IL}$   
 $\overline{CE}_X \leq 0.2V$  means  $\overline{CE}_{0X} \leq 0.2V$  and  $CE_{1X} \geq V_{DDQ} - 0.2V$   
 $\overline{CE}_X \geq V_{DDQ} - 0.2V$  means  $\overline{CE}_{0X} \geq V_{DDQ} - 0.2V$  or  $CE_{1X} \leq 0.2V$   
 "X" represents "L" for left port or "R" for right port.

**70V3379S**  
**High-Speed 3.3v 32K x 18 Dual-Port Synchronous Pipelined Static RAM** **Industrial and Commercial Temperature Ranges**

**AC Test Conditions**

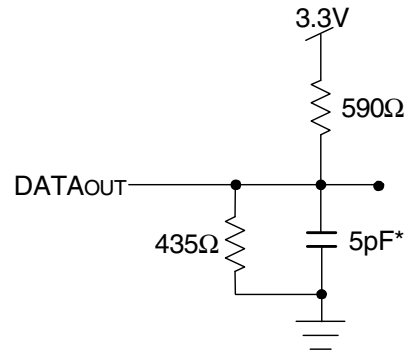
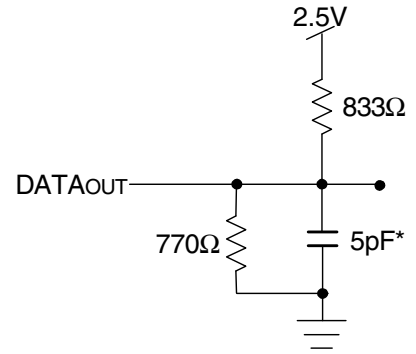
Input Pulse Levels (Address & Controls)	GND to 3.0V/GND to 2.35V
Input Pulse Levels (I/Os)	GND to 3.0V/GND to 2.35V
Input Rise/Fall Times	3ns
Input Timing Reference Levels	1.5V/1.25V
Output Reference Levels	1.5V/1.25V
Output Load	Figures 1, 2, and 3

4833 tbl 10



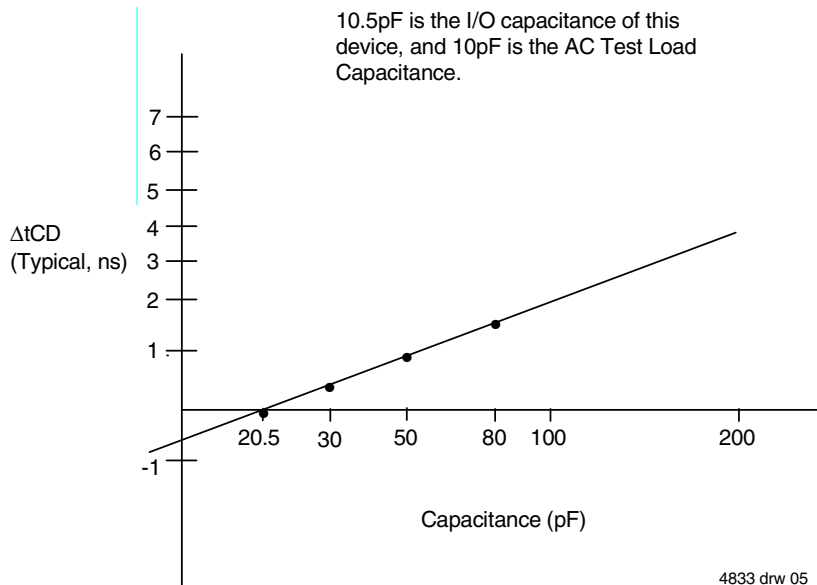
4833 drw 03

Figure 1. AC Output Test load.



4833 drw 04

Figure 2. Output Test Load  
 (For tCKLZ, tCKHZ, tOLZ, and tOHZ).  
 \*Including scope and jig.



4833 drw 05

Figure 3. Typical Output Derating (Lumped Capacitive Load).

**70V3379S**
**High-Speed 3.3v 32K x 18 Dual-Port Synchronous Pipelined Static RAM**
**Industrial and Commercial Temperature Ranges**

## AC Electrical Characteristics Over the Operating Temperature Range (Read and Write Cycle Timing)<sup>(1,2)</sup>

(V<sub>DD</sub> = 3.3V ± 150mV, T<sub>A</sub> = 0°C to +70°C)

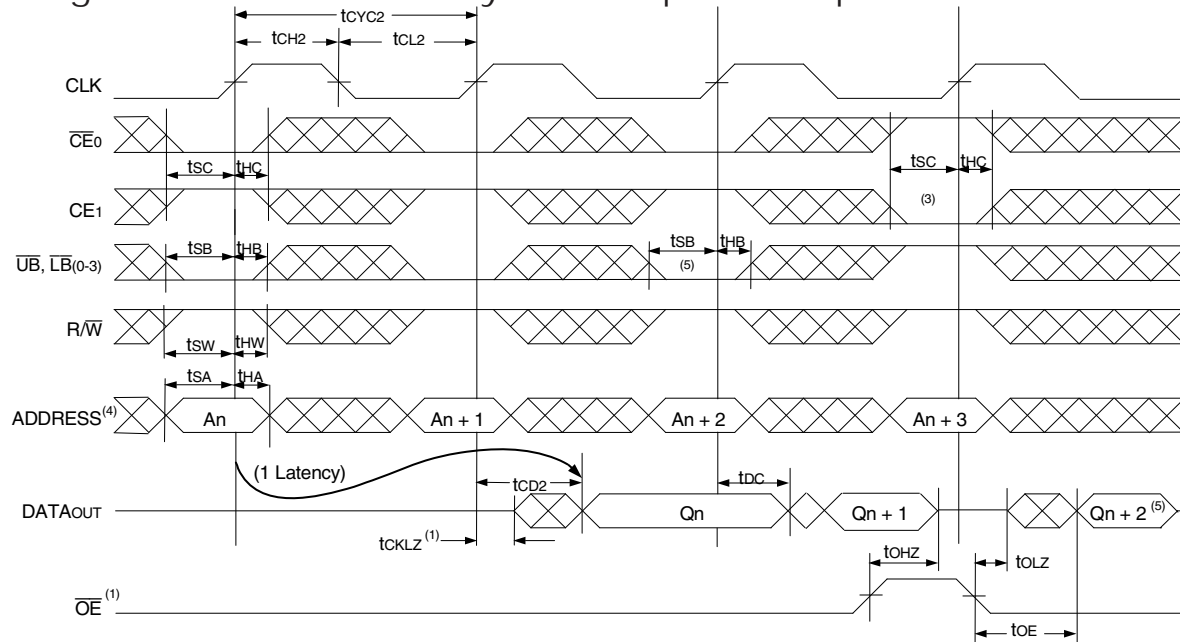
Symbol	Parameter	70V3379S4 Com'l Only		70V3379S5 Com'l & Ind		70V3379S6 Com'l Only		Unit
		Min.	Max.	Min.	Max.	Min.	Max.	
t <sub>CYC2</sub>	Clock Cycle Time (Pipelined)	7.5	—	10	—	12	—	ns
t <sub>CH2</sub>	Clock High Time (Pipelined)	3	—	4	—	5	—	ns
t <sub>CL2</sub>	Clock Low Time (Pipelined)	3	—	4	—	5	—	ns
t <sub>R</sub>	Clock Rise Time	—	3	—	3	—	3	ns
t <sub>F</sub>	Clock Fall Time	—	3	—	3	—	3	ns
t <sub>SA</sub>	Address Setup Time	1.8	—	2.0	—	2.0	—	ns
t <sub>HA</sub>	Address Hold Time	0.7	—	0.7	—	1.0	—	ns
t <sub>SC</sub>	Chip Enable Setup Time	1.8	—	2.0	—	2.0	—	ns
t <sub>HC</sub>	Chip Enable Hold Time	0.7	—	0.7	—	1.0	—	ns
t <sub>SB</sub>	Byte Enable Setup Time	1.8	—	2.0	—	2.0	—	ns
t <sub>HB</sub>	Byte Enable Hold Time	0.7	—	0.7	—	1.0	—	ns
t <sub>SW</sub>	R/W Setup Time	1.8	—	2.0	—	2.0	—	ns
t <sub>HW</sub>	R/W Hold Time	0.7	—	0.7	—	1.0	—	ns
t <sub>SD</sub>	Input Data Setup Time	1.8	—	2.0	—	2.0	—	ns
t <sub>HD</sub>	Input Data Hold Time	0.7	—	0.7	—	1.0	—	ns
t <sub>SAD</sub>	$\overline{ADS}$ Setup Time	1.8	—	2.0	—	2.0	—	ns
t <sub>HAD</sub>	$\overline{ADS}$ Hold Time	0.7	—	0.7	—	1.0	—	ns
t <sub>SCN</sub>	$\overline{CNTEN}$ Setup Time	1.8	—	2.0	—	2.0	—	ns
t <sub>HCN</sub>	$\overline{CNTEN}$ Hold Time	0.7	—	0.7	—	1.0	—	ns
t <sub>SRST</sub>	$\overline{CNTRST}$ Setup Time	1.8	—	2.0	—	2.0	—	ns
t <sub>HRST</sub>	$\overline{CNTRST}$ Hold Time	0.7	—	0.7	—	1.0	—	ns
t <sub>OE</sub> <sup>(1)</sup>	Output Enable to Data Valid	—	4	—	5	—	6	ns
t <sub>OLZ</sub>	Output Enable to Output Low-Z	0	—	0	—	0	—	ns
t <sub>OHZ</sub>	Output Enable to Output High-Z	1	4	1	4.5	1	5	ns
t <sub>CD2</sub>	Clock to Data Valid (Pipelined)	—	4.2	—	5	—	6	ns
t <sub>DC</sub>	Data Output Hold After Clock High	1	—	1	—	1	—	ns
t <sub>CKHZ</sub>	Clock High to Output High-Z	1	3	1	4.5	1.5	6	ns
t <sub>CKLZ</sub>	Clock High to Output Low-Z	1	—	1	—	1	—	ns
<b>Port-to-Port Delay</b>								
t <sub>CO</sub>	Clock-to-Clock Offset	6	—	8	—	10	—	ns

4833 tbl 11

**NOTES:**

1. All input signals are synchronous with respect to the clock except for the asynchronous Output Enable ( $\overline{OE}$ ).
2. These values are valid for either level of V<sub>DDO</sub> (3.3V/2.5V). See page 4 for details on selecting the desired I/O voltage levels for each port.

### Timing Waveform of Read Cycle for Pipelined Operation<sup>(2)</sup>

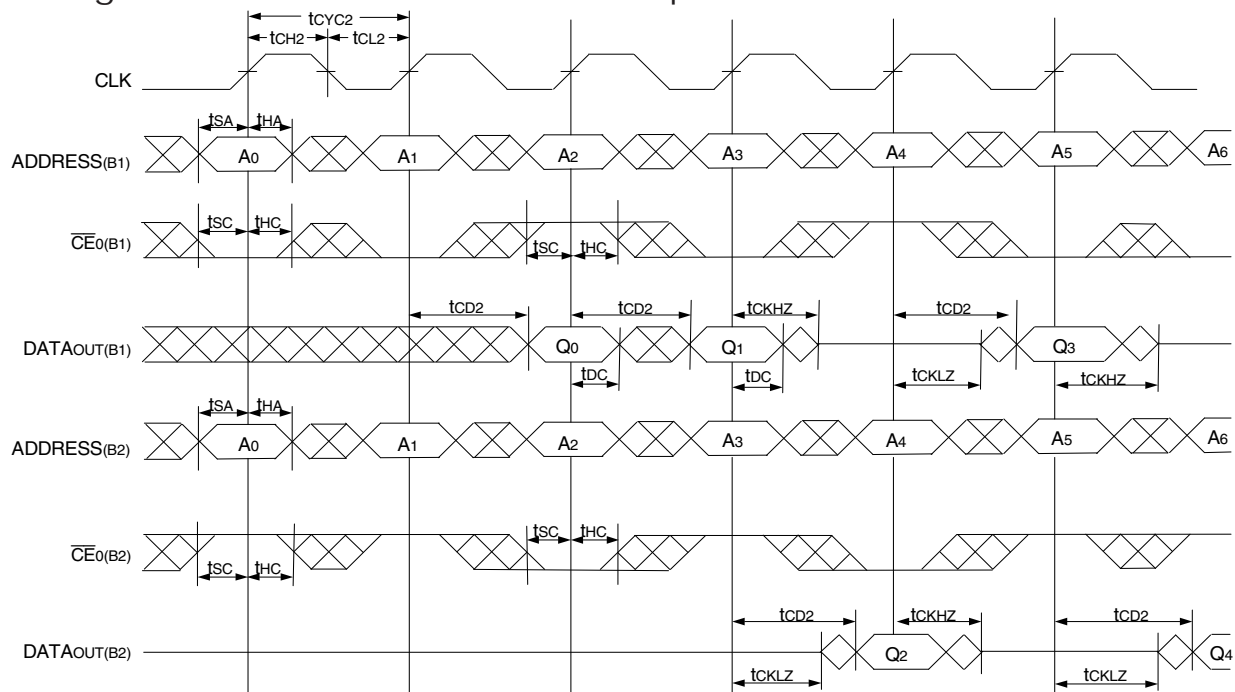


**NOTES:**

1.  $\overline{OE}$  is asynchronously controlled; all other inputs are synchronous to the rising clock edge.
2.  $\overline{ADS} = V_{IL}$ ,  $\overline{CNTEN}$  and  $\overline{CNTRST} = V_{IH}$ .
3. The output is disabled (High-Impedance state) by  $\overline{CE}_0 = V_{IH}$ ,  $CE_1 = V_{IL}$ ,  $\overline{UB}$ ,  $\overline{LB} = V_{IH}$  following the next rising edge of the clock. Refer to Truth Table 1.
4. Addresses do not have to be accessed sequentially since  $\overline{ADS} = V_{IL}$  constantly loads the address on the rising edge of the CLK; numbers are for reference use only.
5. If  $\overline{UB}$  or  $\overline{LB}$  was HIGH, then the appropriate Byte of DATAout for  $Q_{n+2}$  would be disabled (High-Impedance state).

4833 drw 06

### Timing Waveform of a Multi-Device Pipelined Read<sup>(1,2)</sup>

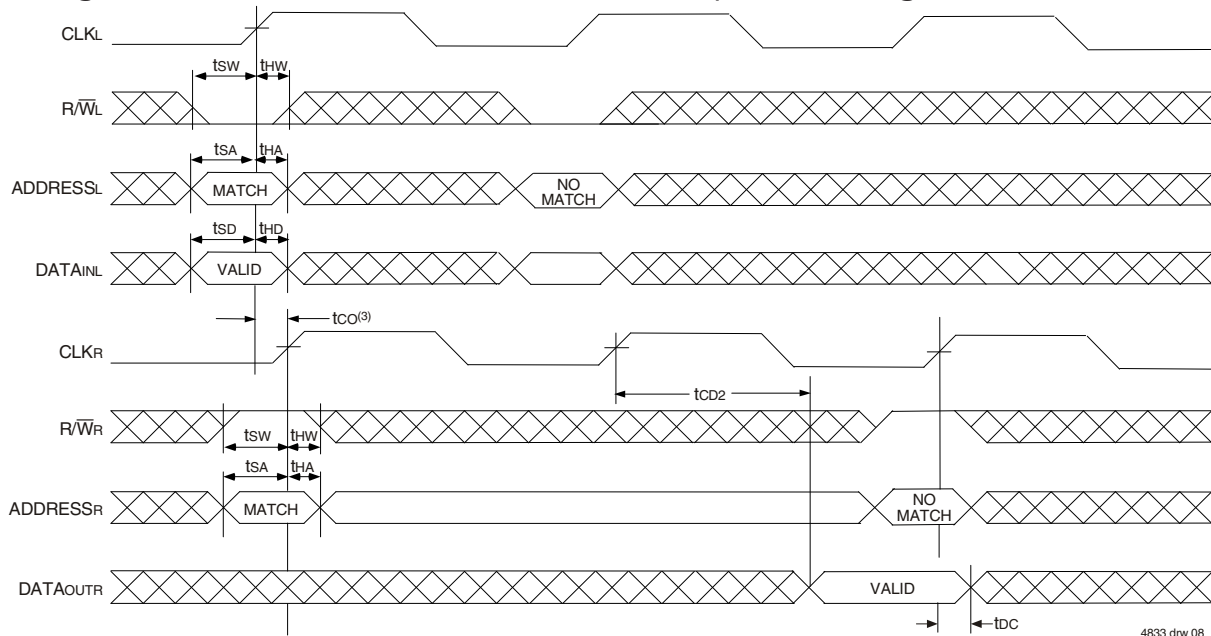


**NOTES:**

1. B1 Represents Device #1; B2 Represents Device #2. Each Device consists of one IDT70V3379 for this waveform, and are setup for depth expansion in this example.  $ADDRESS_{(B1)} = ADDRESS_{(B2)}$  in this situation.
2.  $\overline{UB}$ ,  $\overline{LB}$ ,  $\overline{OE}$ , and  $\overline{ADS} = V_{IL}$ ;  $CE_1(B1)$ ,  $CE_1(B2)$ ,  $R/\overline{W}$ ,  $\overline{CNTEN}$ , and  $\overline{CNTRST} = V_{IH}$ .

4833 drw 07

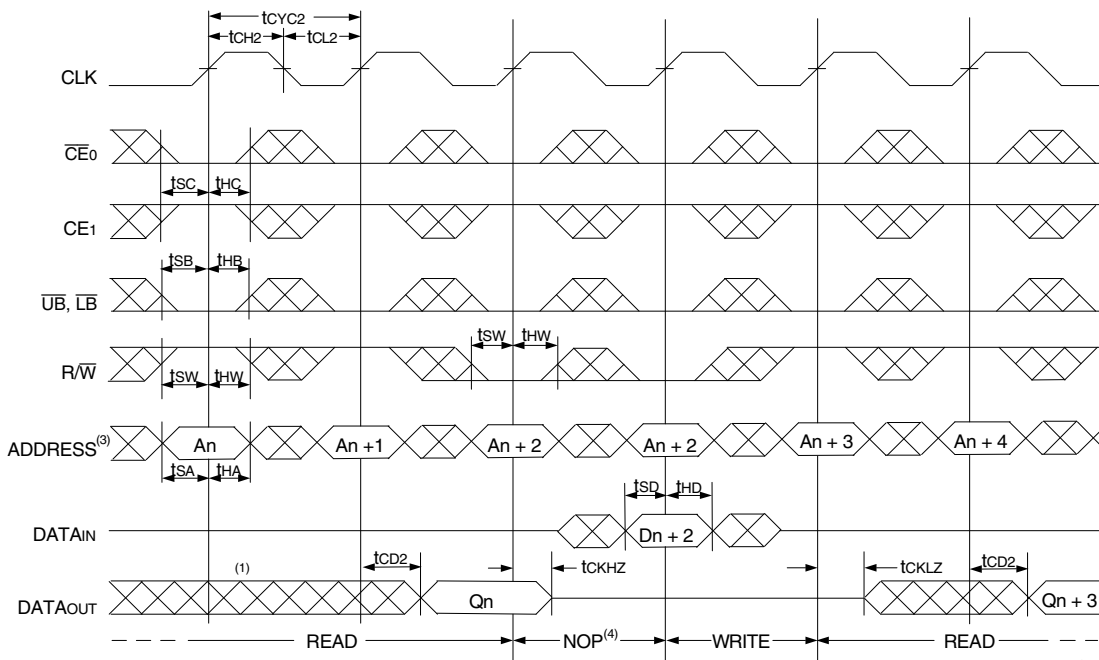
### Timing Waveform of Left Port Write to Pipelined Right Port Read<sup>(1,2)</sup>



**NOTES:**

1.  $\overline{CE}_0$ ,  $\overline{UB}$ ,  $\overline{LB}$ , and  $\overline{ADS} = V_{IL}$ ;  $CE_1$ ,  $\overline{CNTEN}$ , and  $\overline{CNTRST} = V_{IH}$ .
2.  $\overline{OE} = V_{IL}$  for the Right Port, which is being read from.  $\overline{OE} = V_{IH}$  for the Left Port, which is being written to.
3. If  $t_{CO} \leq$  minimum specified, then data from right port read is not valid until following right port clock cycle (ie, time from write to valid read on opposite port will be  $t_{CO} + 2 t_{CYC2} + t_{CD2}$ ). If  $t_{CO} >$  minimum, then data from right port read is available on first right port clock cycle (ie, time from write to valid read on opposite port will be  $t_{CO} + t_{CYC} + t_{CD2}$ ).

### Timing Waveform of Pipelined Read-to-Write-to-Read ( $\overline{OE} = V_{IL}$ )<sup>(2)</sup>



**NOTES:**

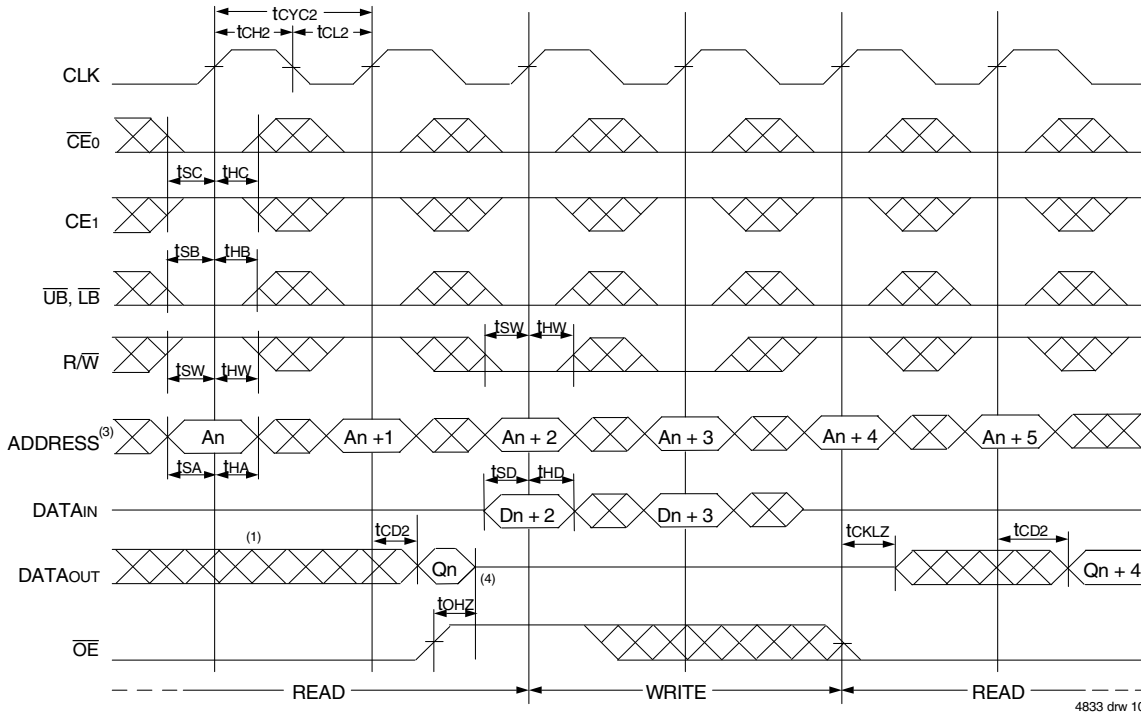
1. Output state (High, Low, or High-impedance) is determined by the previous cycle control signals.
2.  $\overline{CE}_0$ ,  $\overline{UB}$ ,  $\overline{LB}$ , and  $\overline{ADS} = V_{IL}$ ;  $CE_1$ ,  $\overline{CNTEN}$ , and  $\overline{CNTRST} = V_{IH}$ . "NOP" is "No Operation".
3. Addresses do not have to be accessed sequentially since  $\overline{ADS} = V_{IL}$  constantly loads the address on the rising edge of the CLK; numbers are for reference use only.
4. "NOP" is "No Operation." Data in memory at the selected address may be corrupted and should be rewritten to guarantee data integrity.

70V3379S

High-Speed 3.3v 32K x 18 Dual-Port Synchronous Pipelined Static RAM

Industrial and Commercial Temperature Ranges

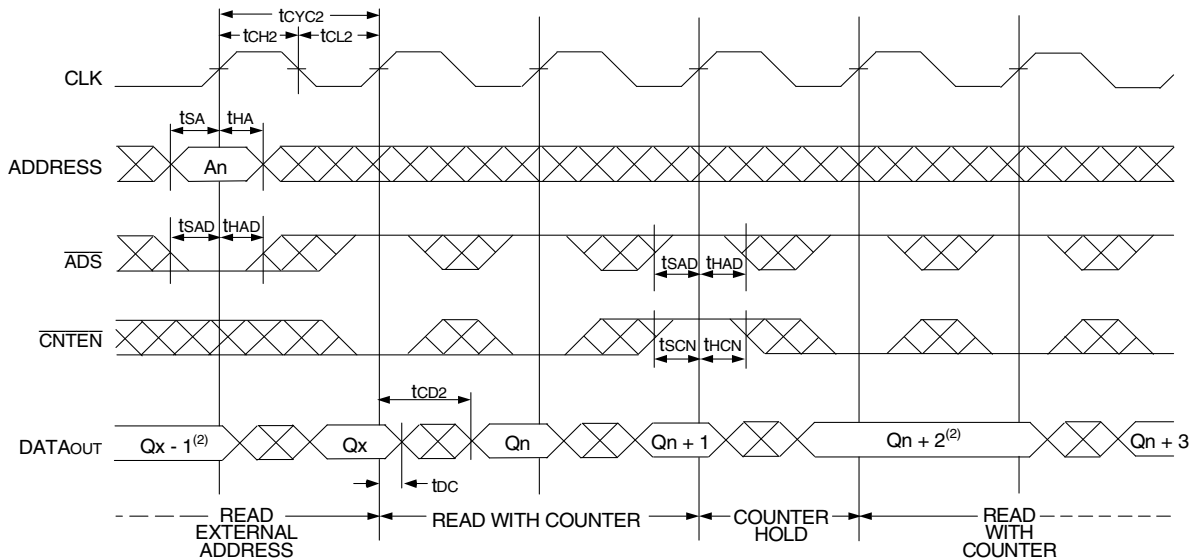
Timing Waveform of Pipelined Read-to-Write-to-Read ( $\overline{OE}$  Controlled)<sup>(2)</sup>



NOTES:

1. Output state (High, Low, or High-impedance) is determined by the previous cycle control signals.
2.  $\overline{CE0}$ ,  $\overline{UB}$ ,  $\overline{LB}$ , and  $\overline{ADS} = V_{IL}$ ;  $\overline{CE1}$ ,  $\overline{CNTEN}$ , and  $\overline{CNTRST} = V_{IH}$ .
3. Addresses do not have to be accessed sequentially since  $\overline{ADS} = V_{IL}$  constantly loads the address on the rising edge of the CLK; numbers are for reference use only.
4. This timing does not meet requirements for fastest speed grade. This waveform indicates how logically it could be done if timing so allows.

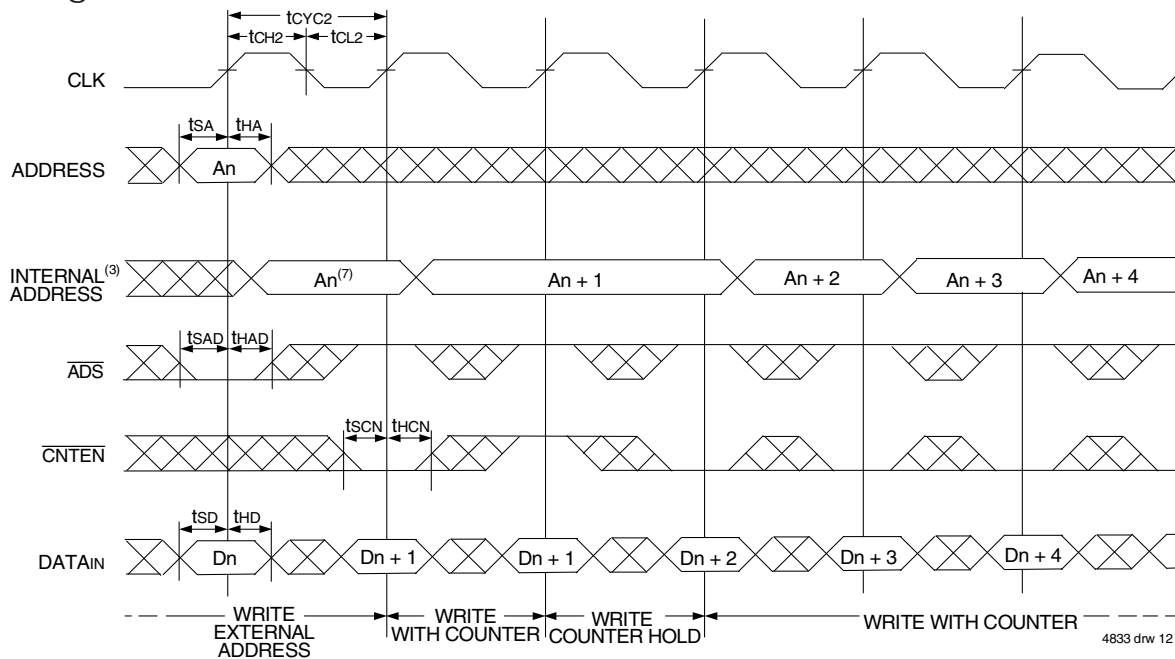
Timing Waveform of Pipelined Read with Address Counter Advance<sup>(1)</sup>



NOTES:

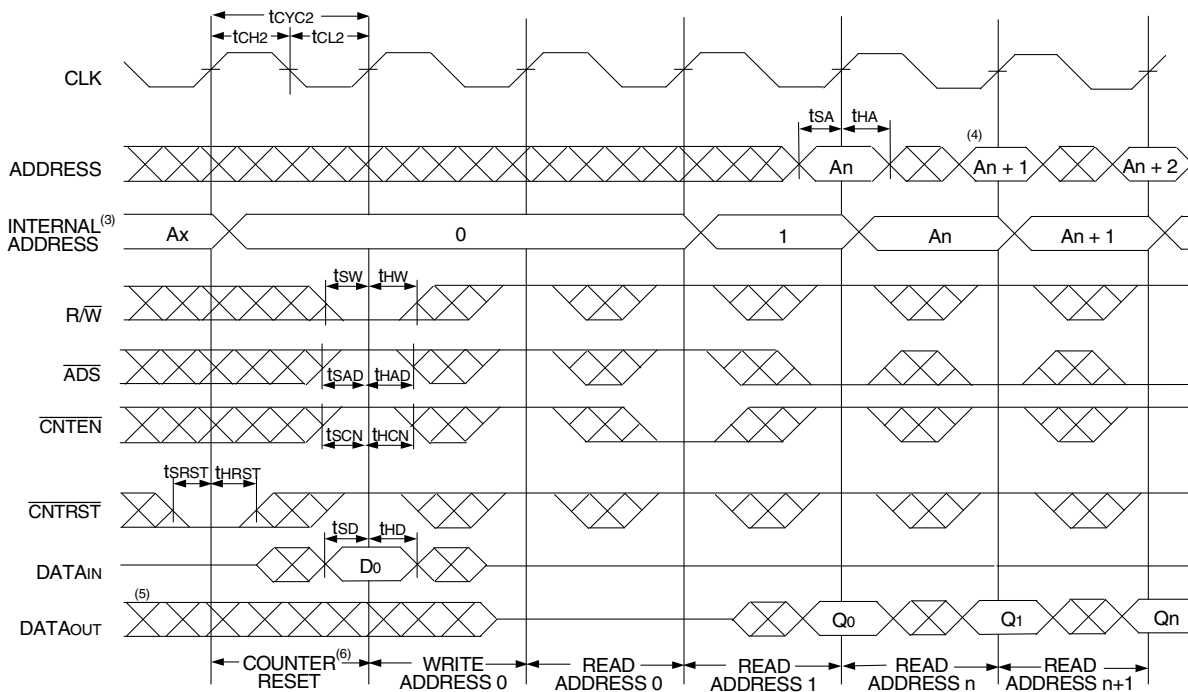
1.  $\overline{CE0}$ ,  $\overline{OE}$ ,  $\overline{UB}$ ,  $\overline{LB} = V_{IL}$ ;  $\overline{CE1}$ ,  $\overline{R/W}$ , and  $\overline{CNTRST} = V_{IH}$ .
2. If there is no address change via  $\overline{ADS} = V_{IL}$  (loading a new address) or  $\overline{CNTEN} = V_{IL}$  (advancing the address), i.e.  $\overline{ADS} = V_{IH}$  and  $\overline{CNTEN} = V_{IH}$ , then the data output remains constant for subsequent clocks.

### Timing Waveform of Write with Address Counter Advance<sup>(1)</sup>



4833 drw 12

### Timing Waveform of Counter Reset<sup>(2)</sup>



4833 drw 13

**NOTES:**

1.  $\overline{CE}_0$ ,  $\overline{UB}$ ,  $\overline{LB}$ , and  $R/\overline{W} = V_{IL}$ ;  $CE_1$  and  $\overline{CNTRST} = V_{IH}$ .
2.  $\overline{CE}_0$ ,  $\overline{UB}$ ,  $\overline{LB} = V_{IL}$ ;  $CE_1 = V_{IH}$ .
3. The "Internal Address" is equal to the "External Address" when  $\overline{ADS} = V_{IL}$  and equals the counter output when  $\overline{ADS} = V_{IH}$ .
4. Addresses do not have to be accessed sequentially since  $\overline{ADS} = V_{IL}$  constantly loads the address on the rising edge of the CLK; numbers are for reference use only.
5. Output state (High, Low, or High-impedance) is determined by the previous cycle control signals.
6. No dead cycle exists during counter reset. A READ or WRITE cycle may be coincidental with the counter reset cycle: Addr 0 will be accessed. Extra cycles are shown here simply for clarification.
7.  $\overline{CNTEN} = V_{IL}$  advances Internal Address from 'An' to 'An +1'. The transition shown indicates the time required for the counter to advance. The 'An +1' Address is written to during this cycle.

### Functional Description

The IDT70V3379 provides a true synchronous Dual-Port Static RAM interface. Registered inputs provide minimal set-up and hold times on address, data, and all critical control inputs. All internal registers are clocked on the rising edge of the clock signal, however, the self-timed internal write pulse is independent of the LOW to HIGH transition of the clock signal.

An asynchronous output enable is provided to ease asynchronous bus interfacing. Counter enable inputs are also provided to stall the operation of the address counters for fast interleaved memory applications.

A HIGH on  $\overline{CE_0}$  or a LOW on  $CE_1$  for one clock cycle will power down the internal circuitry to reduce static power consumption. Multiple chip enables allow easier banking of multiple IDT70V3379s for depth expansion configurations. Two cycles are required with  $\overline{CE_0}$  LOW and  $CE_1$  HIGH to reactivate the outputs.

### Depth and Width Expansion

The IDT70V3379 features dual chip enables (refer to Truth Table I) in order to facilitate rapid and simple depth expansion with no requirements for external logic. Figure 4 illustrates how to control the various chip enables in order to expand two devices in depth.

The IDT70V3379 can also be used in applications requiring expanded width, as indicated in Figure 4. Through combining the control signals, the devices can be grouped as necessary to accommodate applications needing 36-bits or wider.

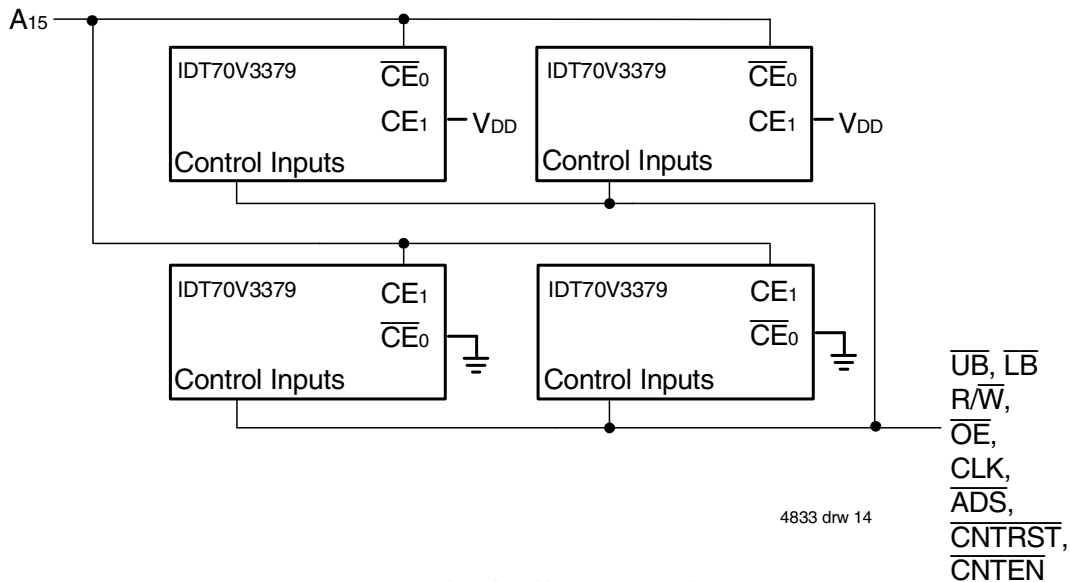
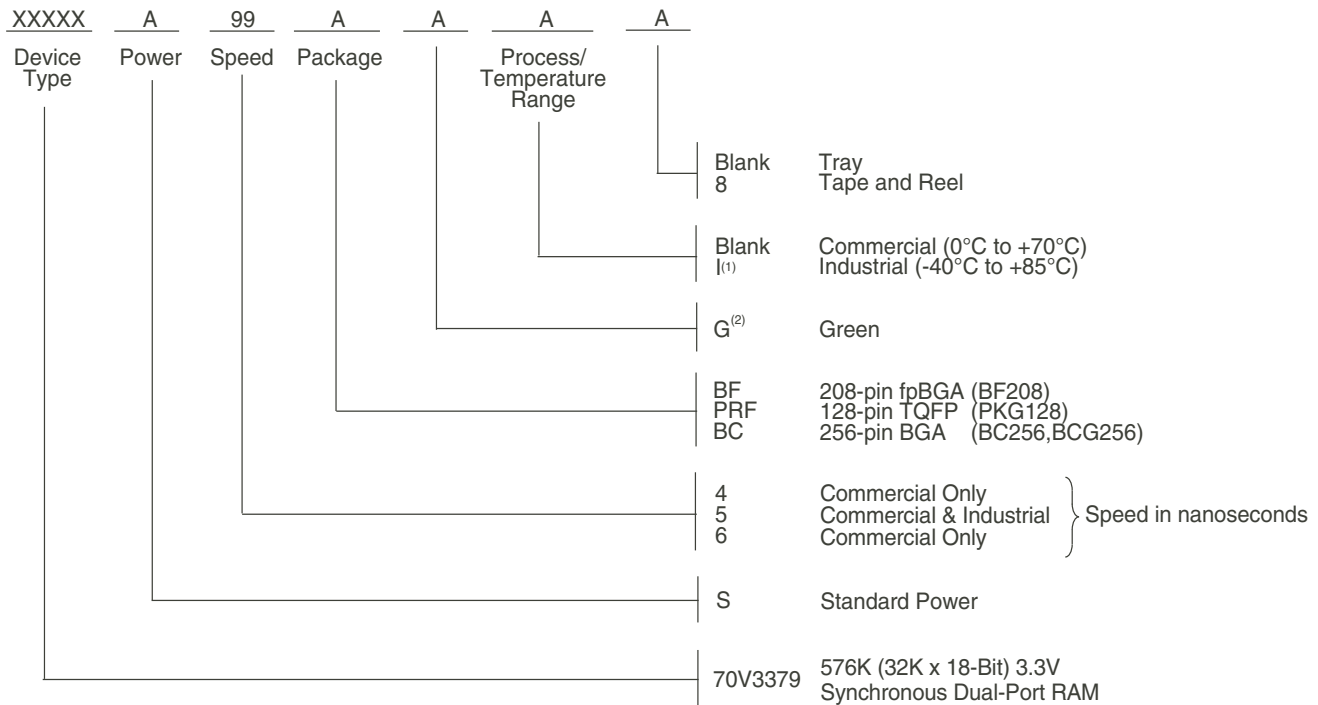


Figure 4. Depth and Width Expansion with IDT70V3379

**70V3379S**  
**High-Speed 3.3v 32K x 18 Dual-Port Synchronous Pipelined Static RAM** **Industrial and Commercial Temperature Ranges**

### Ordering Information



4833 drw 15a

**NOTES:**

- Contact your local sales office for Industrial temperature in other speeds, packages and powers.
  - Green parts available. For specific speeds, packages and powers contact your local sales office.
- LEAD FINISH (SnPb) parts are Obsolete. Product Discontinuation Notice - PDN# SP-17-02**  
 Note that information regarding recently obsoleted parts are included in this datasheet for customer convenience.

### Orderable Part Information

Speed (ns)	Orderable Part ID	Pkg. Code	Pkg. Type	Temp. Grade
4	70V3379S4BC	BC256	CABGA	C
	70V3379S4BC8	BC256	CABGA	C
	70V3379S4BCG	BCG256	CABGA	C
	70V3379S4BF	BF208	CABGA	C
	70V3379S4BF8	BF208	CABGA	C
	70V3379S4PRFG	PKG128	TQFP	C
	70V3379S4PRFG8	PKG128	TQFP	C
5	70V3379S5BC	BC256	CABGA	C
	70V3379S5BC8	BC256	CABGA	C
	70V3379S5BF	BF208	CABGA	C
	70V3379S5BF8	BF208	CABGA	C
	70V3379S5BF1	BF208	CABGA	I
	70V3379S5BF18	BF208	CABGA	I
6	70V3379S6BC	BC256	CABGA	C
	70V3379S6BC8	BC256	CABGA	C
	70V3379S6BF	BF208	CABGA	C
	70V3379S6BF8	BF208	CABGA	C

## Datasheet Document History

01/18/98:	Initial Public Release
03/15/99:	Page 10 Additional Notes
04/28/99:	Added fpBGA package
06/08/99:	Page 2 Changed package body height from 1.5mm to 1.4mm
06/11/99:	Page 5 Deleted note 6 for Table II
07/14/99:	Page 2 Corrected pin to T3 to VDDQL
08/04/99:	Page 6 Improved power numbers
10/04/99:	Upgraded speed to 133MHz, added 2.5V I/O capability
11/12/99:	Replaced IDT logo
02/28/00:	Added new BGA package, added full 2.5V interface capability
05/01/00:	Page 2 Added ball pitch
	Page 3 Renamed pins
	Page 6 Made corrections to Truth Table
	Page 9 Changed $\Omega$ numbers in figure 2
06/07/00:	Page 4 Added information to pin and pin notes
	Page 6 Increased storage temperature parameter
	Clarified TA Parameter
	Page 8 DC Electrical parameters—changed wording from "open" to "disabled"
	Removed note 7 on DC Electrical Characteristics table
01/10/01:	Page 1 Changed 64K to 32K in block drawing
	Removed Preliminary status
04/10/01:	Added Industrial Temperature Ranges and removed related notes
12/12/01:	Page 2, 3 & 4 Added date revision to pin configurations
	Page 6 Removed industrial temp footnote from table 04
	Page 8 & 10 Removed industrial temp for 6ns from DC & AC Electrical Characteristics
	Page 16 Removed industrial temp from 6ns in ordering information
	Added industrial temp footnote
	Page 1 & 17 Replaced <sup>TM</sup> logo with <sup>®</sup> logo
	Page 1 Added green availability to features
01/05/06:	Page 16 Added green indicator to Ordering Information
02/08/06:	Page 5 Changed footnote 2 for Truth Table I from $\overline{ADS}$ , $\overline{CNTEN}$ , $\overline{CNTRST} = V_{IH}$ to $\overline{ADS}$ , $\overline{CNTEN}$ , $\overline{CNTRST} = X$
07/25/08:	Page 8 Corrected a typo in the DC Chars table
01/19/09:	Page 16 Removed "IDT" from orderable part number
08/11/15:	Page 2 & 3 Removed date from all of the pin configurations 206-pin fpBGA, 128-pin TQFP & 256-pin PGA
	Page 16 Added Tape & Reel to Ordering Information
	Product Discontinuation Notice - PDN# SP-17-02
02/13/18:	Last time buy expires June 15, 2018
07/17/19:	Page 2, 3 & 4 Updated package codes BF-208 to BF208, BC-256 to BC256, BCG256 and PK-128 to PKG128
	Page 16 Added Orderable Part Information table

## OUR CERTIFICATE

DiGi provide top-quality products and perfect service for customer worldwide through standardization, technological innovation and continuous improvement. DiGi through third-party certification, we strictly control the quality of products and services. Welcome your RFQ to

Email: [Info@DiGi-Electronics.com](mailto:Info@DiGi-Electronics.com)



Tel: +00 852-30501935

RFQ Email: [Info@DiGi-Electronics.com](mailto:Info@DiGi-Electronics.com)

DiGi is a global authorized distributor of electronic components.