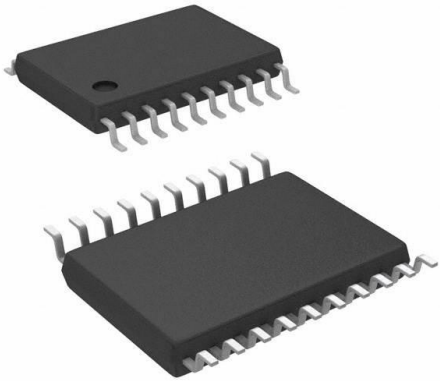


9DBL0455PGGI8 Datasheet

www.digi-electronics.com



<https://www.DiGi-Electronics.com>

DiGi Electronics Part Number	9DBL0455PGGI8-DG
Manufacturer	Renesas Electronics Corporation
Manufacturer Product Number	9DBL0455PGGI8
Description	TSSOP 6.50X4.40X1.00 MM, 0.65MM
Detailed Description	PCI Express (PCIe) Fanout Buffer (Distribution) IC 26 7MHz 1 Output 20-TSSOP



Tel: +00 852-30501935

RFQ Email: Info@DiGi-Electronics.com

DiGi is a global authorized distributor of electronic components.

Purchase and inquiry

Manufacturer Product Number:

9DBL0455PGG18

Series:

-

DiGi-Electronics Programmable:

Not Verified

Main Purpose:

PCI Express (PCIe)

Output:

LP-HCSL

Ratio - Input:Output:

1:4

Frequency - Max:

267MHz

Operating Temperature:

-40°C ~ 85°C (TA)

Package / Case:

20-TSSOP (0.173", 4.40mm Width)

Base Product Number:

9DBL0455

Manufacturer:

Renesas Electronics Corporation

Product Status:

Active

PLL:

Yes with Bypass

Input:

Clock

Number of Circuits:

1

Differential - Input:Output:

Yes/Yes

Voltage - Supply:

3.135V ~ 3.465V

Mounting Type:

Surface Mount

Supplier Device Package:

20-TSSOP

Environmental & Export classification

RoHS Status:

ROHS3 Compliant

REACH Status:

REACH Unaffected

Description

The 9DBL0255/9DBL0455 are 2 and 4-output PCIe Clock fan-out buffers for PCIe Gen1–5 applications. Both parts have an open drain Loss of Signal (LOS) output to indicate the absence or presence of an input clock. The LOS circuit also implements Automatic Clock Parking (ACP) to cleanly park the outputs low/low when the input clock goes away. The devices implement several additional features to aid robust designs. Flexible Power Sequencing (FPS) ensures well-defined behavior under various power up scenarios, while Power Down Tolerant (PDT) ESD protection allows input pins to be driven before VDD is applied. The 9DBL0255/9DBL0455 are spread-spectrum compatible and provide direct connection to 85Ω transmission lines. They can also be used in 100Ω environments with simple external series resistors.

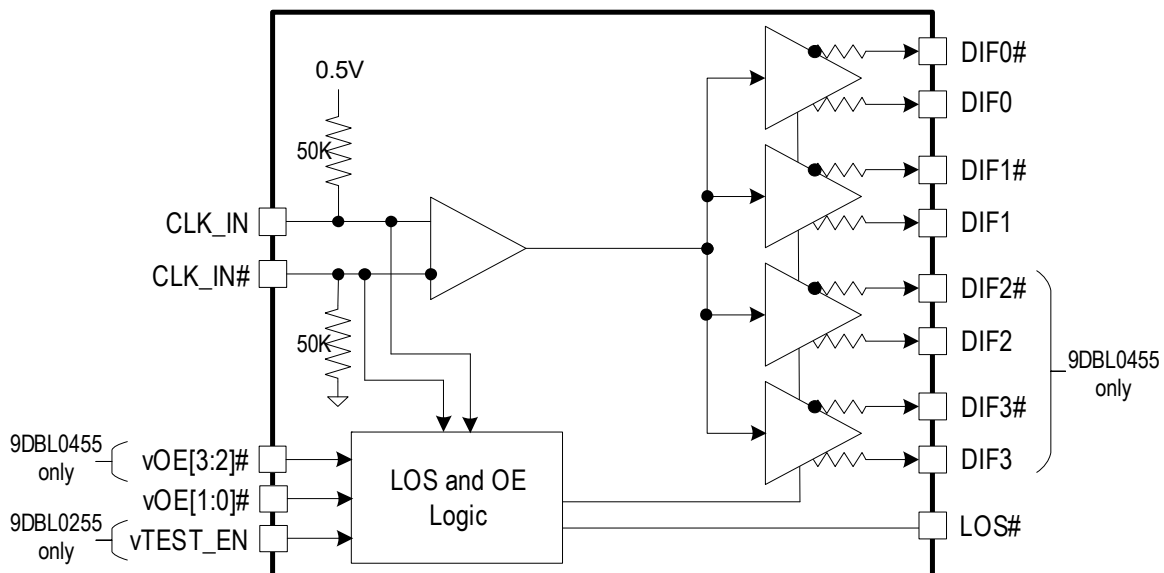
PCIe Architectures

- Common Clocked (CC)
- Independent Reference Clock (SRIS, SRnS)

Typical Applications

- PCIe clock distribution in:
 - PCIe Riser Cards
 - NVME eSSD and JBOD
 - High-Performance Computing and Accelerators

Block Diagram



Features

- FPS: VDD may be applied with floating input clock, or input clock may be driven before VDD is applied
- ACP: Outputs automatically park low/low when LOS occurs and cleanly start when LOS is removed
- PDT: Input pins may be driven before VDD is applied and will not damage the device
- 2 or 4 Low-power HCSL (LP-HCSL) DIF pairs
- 85Ω loads require 0 termination resistors
- 100Ω loads require only 2 series resistors per output
- OE# pin for each output
- Spread-spectrum tolerant
- Industrial temperature range (-40°C to +85°C)
- Space saving 3 × 3 mm 16-VFQFPN (9DBL0255)
- Space saving 4 × 4 mm 20-VFQFPN (9DBL0455)
- Easy AC-coupling to other logic families. See application note [AN-891](#).

Key Specifications

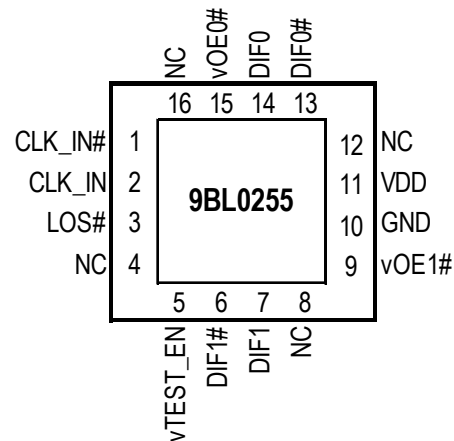
- Input-to-output delay < 3ns
- Output-to-output skew < 50ps
- Operating frequency up to 267MHz (9DBL0455)
- Additive phase jitter < 15fs RMS for PCIe Gen5
- Additive phase jitter 46fs RMS (typical) at 156.25MHz (12kHz–20MHz)

Contents

Description	1
PCIe Architectures	1
Typical Applications	1
Features	1
Key Specifications	1
Block Diagram	1
Pin Assignments	3
9DBL0255 Pin Descriptions	4
9DBL0455 Pin Descriptions	4
Power Management	5
Absolute Maximum Ratings	6
Thermal Characteristics	6
Electrical Characteristics	7
Test Loads	11
Alternate Terminations	11
Package Outline Drawings	12
Marking Diagrams	12
Ordering Information	12
Revision History	13

Pin Assignments

Figure 1. Pin Assignments for 3 × 3 mm 16-VFQFPN Package – Top View

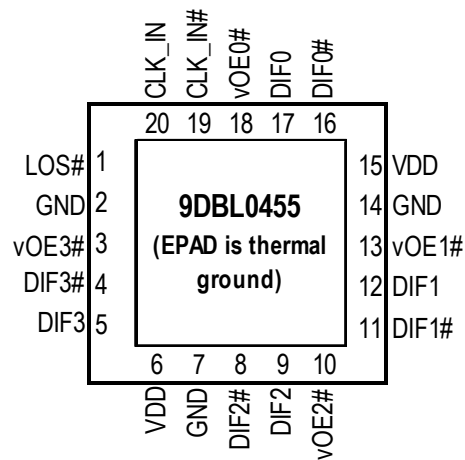


16-VFQFPN, 3 × 3mm, 0.5mm pitch

^ prefix indicates internal 120kOhm pull-up resistor

v prefix indicates internal 120kOhm pull-down resistor

Figure 2. Pin Assignments for 4 × 4 mm 20-VFQFPN Package – Top View



20-VFQFPN, 4 x 4 mm, 0.5mm pitch

^ prefix indicates internal pull-up resistor

v prefix indicates internal pull-down resistor

9DBL0255 Pin Descriptions

Table 1. 9DBL0255 Pin Descriptions

Number	Name	Type	Description
1	CLK_IN#	Input	Complementary input for differential reference clock.
2	CLK_IN	Input	True input for differential reference clock.
3	LOS#	Open Drain Out	Output indicating Loss of Input Signal. This pin is an open drain output and requires an external pull up resistor for proper functionality. A low output on this pin indicates a loss of signal on the input clock.
4	NC	—	No connection.
5	vTEST_EN	Input	Test Enable Pin for forcing the outputs during board test. It has an internal pull down. See the Test Mode (9DBL0255 only) table for additional details.
6	DIF1#	Output	Differential complementary clock output.
7	DIF1	Output	Differential true clock output.
8	NC	—	No connection.
9	vOE1#	Input	Active low input for enabling output 1. This pin has an internal pull-down. 1 = disable output, 0 = enable output.
10	GND	GND	Ground pin.
11	VDD	Power	Power supply, nominally 3.3V.
12	NC	—	No connection.
13	DIF0#	Output	Differential complementary clock output.
14	DIF0	Output	Differential true clock output.
15	vOE0#	Input	Active low input for enabling output 0. This pin has an internal pull-down. 1 = disable output, 0 = enable output.
16	NC	—	No connection.
17	EPAD	GND	Connect EPAD to ground.

9DBL0455 Pin Descriptions

Table 2. 9DBL0455 Pin Descriptions

Number	Name	Type	Description
1	LOS#	Open Drain Out	Output indicating Loss of Input Signal. This pin is an open drain output and requires an external pull up resistor for proper functionality. A low output on this pin indicates a loss of signal on the input clock.
2	GND	GND	Ground pin.
3	vOE3#	Input	Active low input for enabling output 3. This pin has an internal pull-down. 1 = disable output, 0 = enable output.
4	DIF3#	Output	Differential complementary clock output.
5	DIF3	Output	Differential true clock output.
6	VDD	Power	Power supply, nominally 3.3V.

Table 2. 9DBL0455 Pin Descriptions (Cont.)

Number	Name	Type	Description
7	GND	GND	Ground pin.
8	DIF2#	Output	Differential complementary clock output.
9	DIF2	Output	Differential true clock output.
10	vOE2#	Input	Active low input for enabling output 2. This pin has an internal pull-down. 1 = disable output, 0 = enable output.
11	DIF1#	Output	Differential complementary clock output.
12	DIF1	Output	Differential true clock output.
13	vOE1#	Input	Active low input for enabling output 1. This pin has an internal pull-down. 1 = disable output, 0 = enable output.
14	GND	GND	Ground pin.
15	VDD	Power	Power supply, nominally 3.3V.
16	DIF0#	Output	Differential complementary clock output.
17	DIF0	Output	Differential true clock output.
18	vOE0#	Input	Active low input for enabling output 0. This pin has an internal pull-down. 1 = disable output, 0 = enable output.
19	CLK_IN#	Input	Complementary input for differential reference clock.
20	CLK_IN	Input	True input for differential reference clock.
21	EPAD	GND	Connect to Ground.

Power Management

Table 3. Power Management

CLK_IN	OEx# Pin	DIFx	DIFx#
Floating ^[a]	x	Low	Low
Stopped	x	Low	Low
Running	1	Low	Low
Running	0	Running	Running

[a] The CLK_IN has an internal network that biases the clock input to a differential '1' state.

Table 4. Test Mode (9DBL0255 only)

TEST_EN	OEx# Pin	DIFx	DIFx#
x	0	Normal Operation	
0	1	Low	Low
1	1	High	High

Absolute Maximum Ratings

The absolute maximum ratings are stress ratings only. Stresses greater than those listed below can cause permanent damage to the device. Functional operation of the 9DBL0255/9DBL0455 at absolute maximum ratings is not implied. Exposure to absolute maximum rating conditions may affect device reliability.

Table 5. Absolute Maximum Ratings

Parameter	Symbol	Conditions	Minimum	Typical	Maximum	Unit	Notes
Supply Voltage	V_{DDx}		-	-	3.9	V	1,2
Input Voltage	V_{IN}	Single-ended control inputs.	-0.5	-	3.9	V	1
Input High Voltage, SMBus	V_{IHSMB}	SMBus clock and data pins.	-	-	3.9	V	1
Junction temperature	T_J		-65	-	150	°C	1
Storage temperature	T_S		-	-	125	°C	1
Input ESD Protection	ESD prot	Human Body Model.	2000	-	-	V	1

¹ Confirmed by design and characterization, not 100% tested in production.

² Operation under these conditions is neither implied nor guaranteed.

Thermal Characteristics

Table 6. Thermal Characteristics

Parameter	Symbol	Conditions	Package	Typical Value	Unit	Notes
Thermal Resistance	θ_{JC}	Junction to case.	9DBL0255 NLG16P3	66	°C/W	1
	θ_{Jb}	Junction to base.		5.1	°C/W	1
	θ_{JA0}	Junction to air, still air.		63	°C/W	1
	θ_{JA1}	Junction to air, 1 m/s air flow.		56	°C/W	1
	θ_{JA3}	Junction to air, 3 m/s air flow.		51	°C/W	1
	θ_{JA5}	Junction to air, 5 m/s air flow.		49	°C/W	1
Thermal Resistance	θ_{JC}	Junction to case.	9DBL0455 NLG20P1	65.8	°C/W	1
	θ_{Jb}	Junction to base.		5.1	°C/W	1
	θ_{JA0}	Junction to air, still air.		63.2	°C/W	1
	θ_{JA1}	Junction to air, 1 m/s air flow.		55.9	°C/W	1
	θ_{JA3}	Junction to air, 3 m/s air flow.		51.4	°C/W	1
	θ_{JA5}	Junction to air, 5 m/s air flow.		49.2	°C/W	1

¹ EPAD soldered to board.

Electrical Characteristics

$T_A = T_{AMB}$, supply voltages per normal operation condition. See [Test Loads](#) for loading conditions.

Table 7. CLK_IN Clock Input Parameters

Parameter	Symbol	Conditions	Minimum	Typical	Maximum	Unit	Notes
Input Crossover Voltage	V_{CROSS}	Crossover voltage.	150	-	900	mV	1
Input Swing	V_{SWING}	Differential value (± 150 mV single-ended).	300	-	-	mV	1
Input Slew Rate	dv/dt	Measured differentially.	0.6	-	8	V/ns	1,2

¹ Confirmed by design and characterization, not 100% tested in production.

² Slew rate measured through ± 75 mV window centered around differential zero.

Table 8. Input/Supply/Common Parameters – Normal Operating Conditions

Parameter	Symbol	Conditions	Minimum	Typical	Maximum	Unit	Notes
Supply Voltage	V_{DD}	Supply voltage.	3.135	3.3	3.465	V	
Pull-up Voltage	V_{DDPup}	Pull-up voltage for LOS# pin.	-	-	3.465	V	
Ambient Operating Temperature	T_{AMB}	Industrial range.	-40	25	85	°C	
Input High Voltage	V_{IH}	Single-ended inputs.	$0.75 V_{DDx}$	-	$V_{DDx} + 0.3$	V	
Input Low Voltage	V_{IL}		-0.3	-	$0.25 V_{DDx}$	V	
Output High Voltage	V_{OH}	LOS# output (1k Ω pull resistor, $V_{DDPup} = 3.3$ V).	$0.9 V_{DDPup}$	-	V_{DDPup}	V	
Output Low Voltage	V_{OL}		-0.3	-	$0.15 V_{DDPup}$	V	
Input Current	I_{IN}	Single-ended inputs, $V_{IN} = GND$, $V_{IN} = V_{DD}$.	-5	-	5	μ A	
	I_{INP}	Single-ended inputs. $V_{IN} = 0$ V; inputs with internal pull-up resistors. $V_{IN} = V_{DD}$; inputs with internal pull-down resistors.	-50	-	100	μ A	
Input Frequency	F_{IN}	9DBL0255	10	-	220	MHz	
		9DBL0455	10	-	267		
Pin Inductance	L_{pin}			-	7	nH	1
Capacitance	C_{IN}	Logic inputs, except CLK_IN.	1.5	-	5	pF	1
	C_{INCLK_IN}	CLK_IN differential clock inputs.	1.5	-	2.7	pF	1
	C_{OUT}	Output pin capacitance.	-	-	6	pF	1
Clk Stabilization	t_{STAB}	From V_{DD} valid, input clock stabilization and OE# pins low.	-	224	300	μ s	1,2
LOS# De-assertion Time	$t_{LOS\#_De-assert}$	Time for LOS# to de-assert after return of input clock.	-	224	300	μ s	1
LOS# Assertion Time	$t_{LOS\#_Assert}$	Time for LOS# to assert after loss of input clock.	-	73	100	ns	1

Table 8. Input/Supply/Common Parameters – Normal Operating Conditions

Parameter	Symbol	Conditions	Minimum	Typical	Maximum	Unit	Notes
OE# Latency	$t_{LATO\#}$	DIF start after OE# assertion. DIF stop after OE# deassertion.	1	-	3	clocks	1,3
Tfall	t_F	Fall time of single-ended control inputs.	-	-	5	ns	2
Trise	t_R	Rise time of single-ended control inputs.	-	-	5	ns	2

¹ Confirmed by design and characterization, not 100% tested in production.

² Control input must be monotonic from 20% to 80% of input swing.

³ Time from deassertion until outputs are > 200mV, assuming input clock is running.

Table 9. Current Consumption

Parameter	Symbol	Conditions	Minimum	Typical	Maximum	Unit	Notes
Operating Supply Current (9DBL0255)	I_{DD}	220MHz, all outputs running.	-	26	36	mA	
		100MHz, all outputs running.	-	14	20	mA	
Operating Supply Current (9DBL0455)	I_{DD}	267MHz, all outputs running	-	48	65	mA	
		100MHz, all outputs running.	-	24	33	mA	
Powerdown Current	I_{DDRPD}	Input clock stopped.	-	1.7	2.5	mA	1

¹ Input clock stopped.

Table 10. Output Duty Cycle, Jitter, and Skew Characteristics

Parameter	Symbol	Conditions	Minimum	Typical	Maximum	Unit	Notes
Duty Cycle Distortion	t_{DCD}	Measured differentially, 100MHz.	0	0.4	0.7	%	1,3
Skew, Input to Output	t_{pd}	$V_T = 50\%$, $V_{SWING} > 600mV$ ($\pm 300mV$ single-ended).	1.5	2.2	3.0	ns	1,2,5
		$V_T = 50\%$, $400mV \leq V_{SWING} \leq 600mV$ ($\pm 200mV$ to $\pm 300mV$ single-ended).	1.9	2.8	3.7	ns	1,2,6
		$V_T = 50\%$, $300mV \leq V_{SWING} < 400mV$ ($\pm 150mV$ to $\pm 200mV$ single-ended).	2.9	3.9	4.9	ns	1,2
Skew, Output to Output	t_{sk3}	$V_T = 50\%$, 9DBL0255.	-	2	15	ps	2,4
		$V_T = 50\%$, 9DBL0455.	-	14	25	ps	1,2,4

¹ Applies to all differential outputs, confirmed by design and characterization.

² Measured from differential waveform.

³ Duty cycle distortion is the difference in duty cycle between the output and the input clock.

⁴ All outputs equally loaded.

⁵ The maximum absolute difference between minimum and maximum t_{pd} at any given V_{SWING} in this range is 1.15ns.

⁶ The maximum absolute difference between minimum and maximum t_{pd} at any given V_{SWING} in this range is 1.4ns.

Table 11. LP-HCSL Outputs – 9DBL0255

T_{AMB} = over the specified operating range. Supply voltages per normal operation conditions. See [Test Loads](#) for loading conditions.

Parameter	Symbol	Conditions	Minimum	Typical	Maximum	Limit	Unit	Notes
Slew Rate	dV/dt	Scope averaging on.	3.0	3.4	3.9	1–5	V/ns	1,2,3
Slew Rate Matching	Δ dV/dt	Single-ended measurement.	-	5	11	20	%	1,4,7
Max Voltage	Vmax	Measurement on single-ended signal using absolute value (scope averaging off).	800	843	885	660–1150	mV	7,8
Min Voltage	Vmin		-104	-74	-47	-300–150		7,8
Crossing Voltage (abs)	Vcross_abs	Scope averaging off.	324	367	421	250–550	mV	1,5,7
Crossing Voltage (var)	Δ -Vcross	Scope averaging off.	-	21	71	140	mV	1,6,7

Table 12. LP-HCSL Outputs – 9DBL0455

T_{AMB} = over the specified operating range. Supply voltages per normal operation conditions. See [Test Loads](#) for loading conditions.

Parameter	Symbol	Conditions	Minimum	Typical	Maximum	Limit	Unit	Notes
Slew Rate	dV/dt	Scope averaging on.	3.8	4.4	5	1–5	V/ns	1,2,3
Slew Rate Matching	Δ dV/dt	Single-ended measurement.	-	7	15	20	%	1,4,7
Max Voltage	Vmax	Measurement on single-ended signal using absolute value (scope averaging off).	804	846	888	660–1150	mV	7,8
Min Voltage	Vmin		-154	-109	-62	-300–150		7,8
Crossing Voltage (abs)	Vcross_abs	Scope averaging off.	278	347	415	250–550	mV	1,5,7
Crossing Voltage (var)	Δ -Vcross	Scope averaging off.	-	18	25	140	mV	1,6,7

Notes for LP-HCSL Outputs tables:

- ¹ Confirmed by design and characterization, not 100% tested in production.
- ² Measured from differential waveform.
- ³ Slew rate is measured through the Vswing voltage range centered around differential 0V. This results in a \pm 150mV window around differential 0V.
- ⁴ Matching applies to rising edge rate for Clock and falling edge rate for Clock#. It is measured using a \pm 75mV window centered on the average cross point where Clock rising meets Clock# falling. The median cross point is used to calculate the voltage thresholds the oscilloscope is to use for the edge rate calculations.
- ⁵ Vcross is defined as voltage where Clock = Clock# measured on a component test board and only applies to the differential rising edge (i.e. Clock rising and Clock# falling).
- ⁶ The total variation of all Vcross measurements in any particular system. Note that this is a subset of Vcross_min/max (Vcross absolute) allowed. The intent is to limit Vcross induced modulation by setting Δ -Vcross to be smaller than Vcross absolute.

Table 13. Additive Phase Jitter for Fanout Buffers

T_{AMB} = over the specified operating range. Supply voltages per normal operation conditions. See [Test Loads](#) for loading conditions.

Parameter	Symbol	Conditions	Min.	Typ.	Max.	Limit	Units	Notes
Additive PCIe Phase Jitter (Common Clocked Architecture)	$t_{jphPCIeG1-CC}$	PCIe Gen 1 (2.5 GT/s)	-	856	1294	86000	fs (pk-pk)	1, 2
	$t_{jphPCIeG2-CC}$	PCIe Gen 2 Hi Band (5.0 GT/s)	-	73	110	3100	fs (RMS)	1, 2
		PCIe Gen 2 Lo Band (5.0 GT/s)	-	22	32	3000	fs (RMS)	1, 2
	$t_{jphPCIeG3-CC}$	PCIe Gen 3 (8.0 GT/s)	-	24	37	1000	fs (RMS)	1, 2
	$t_{jphPCIeG4-CC}$	PCIe Gen 4 (16.0 GT/s)	-	24	37	500	fs (RMS)	1, 2, 3, 4
	$t_{jphPCIeG5-CC}$	PCIe Gen 5 (32.0 GT/s)	-	10	15	150	fs (RMS)	1, 2, 3, 5
	$t_{jphPCIeG6-CC}$	PCIe Gen 6 (64.0 GT/s)	-	6	9	100	fs (RMS)	1, 2, 3, 6
$t_{jphPCIeG7-CC}$	PCIe Gen 7 (64.0 GT/s)	-	4	6	67	fs (RMS)	1, 2, 3, 7	
Additive PCIe Phase Jitter (IR Architecture)	$t_{jphPCIeG2-IR}$	PCIe Gen 2 Band (5.0 GT/s)	-	59	90	N/A	fs (RMS)	1, 2, 8
	$t_{jphPCIeG3-IR}$	PCIe Gen 3 (8.0 GT/s)	-	24	36	N/A	fs (RMS)	1, 2, 8
	$t_{jphPCIeG4-IR}$	PCIe Gen 4 (16.0 GT/s)	-	24	37	N/A	fs (RMS)	1, 2, 8
	$t_{jphPCIeG5-IR}$	PCIe Gen 5 (32.0 GT/s)	-	7	10	N/A	fs (RMS)	1, 2, 8
	$t_{jphPCIeG6-IR}$	PCIe Gen 6 (64.0 GT/s)	-	5	7	N/A	fs (RMS)	1, 2, 8
	$t_{jphPCIeG7-IR}$	PCIe Gen 7 (64.0 GT/s)	-	3	5	N/A	fs (RMS)	1, 2, 8
Additive Phase Jitter (12kHz-20MHz)	$t_{jphPCIe12k-20M}$	156.25MHz	-	46	54	N/A	fs (RMS)	N/A

- The Refclk jitter is measured after applying the filter functions found in the *PCI Express Base Specification 7.0*, Revision 0.7. For the exact measurement setup, see [Test Loads](#). The worst case results for each data rate are summarized in this table. Equipment noise is removed from all measurements.
- Jitter measurements should be made with a capture of at least 100,000 clock cycles captured by a real-time oscilloscope (RTO) with a sample rate of 20GS/s or greater. Broadband oscilloscope noise must be minimized in the measurement. The measured PP jitter is used (no extrapolation) for RTO measurements. Alternately, jitter measurements can be used with a Phase Noise Analyzer (PNA) extending (flat) and integrating and folding the frequency content up to an offset from the carrier frequency of at least 200MHz (at 300MHz absolute frequency) below the Nyquist frequency. For PNA measurements for the 2.5GT/s data rate, the RMS jitter is converted to peak-to-peak jitter using a multiplication factor of 8.83.
- SSC spurs from the fundamental and harmonics are removed up to a cutoff frequency of 2MHz taking care to minimize removal of any non-SSC content.
- 0.7 ps RMS should be used in channel simulations to account for additional noise in a real system.
- 0.25 ps RMS should be used in channel simulations to account for additional noise in a real system.
- 0.15 ps RMS should be used in channel simulations to account for additional noise in a real system.
- 0.10 ps RMS should be used in channel simulations to account for additional noise in a real system.
- The *PCI Express Base Specification 7.0*, Revision 0.7 provides the filters necessary to calculate SRIS jitter values; it does not provide specification limits, therefore, the reference to this footnote in the Limit column. SRIS values are informative only. A common practice is to split the common clock budget in half. For 16GT/s data rates and above, the user must choose whether to use the output jitter specification, or the input jitter specification, which includes an allocation for the jitter added by the channel. Using 32GT/s, the Refclk jitter budget is 150fs RMS. One half of the Refclk jitter budget is 106fs RMS. At the clock input, the system must deliver 250fs RMS. One half of this value is 177fs RMS. If the clock is placed next to the PCIe device in an SRIS system, the channel is very short and the user can choose to use this more relaxed value as the jitter limit.

Test Loads

Figure 3. LOS# Test Load

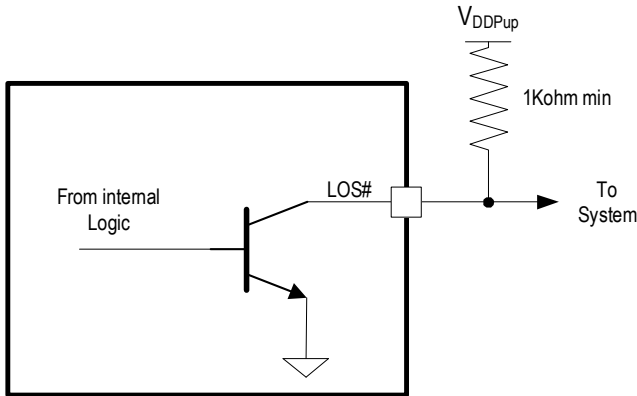


Figure 4. AC/DC Test Load

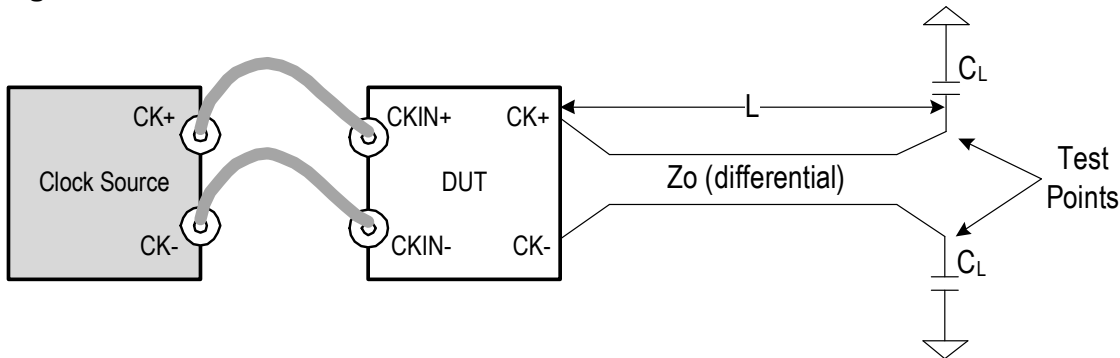


Figure 5. Jitter Measurement Circuit

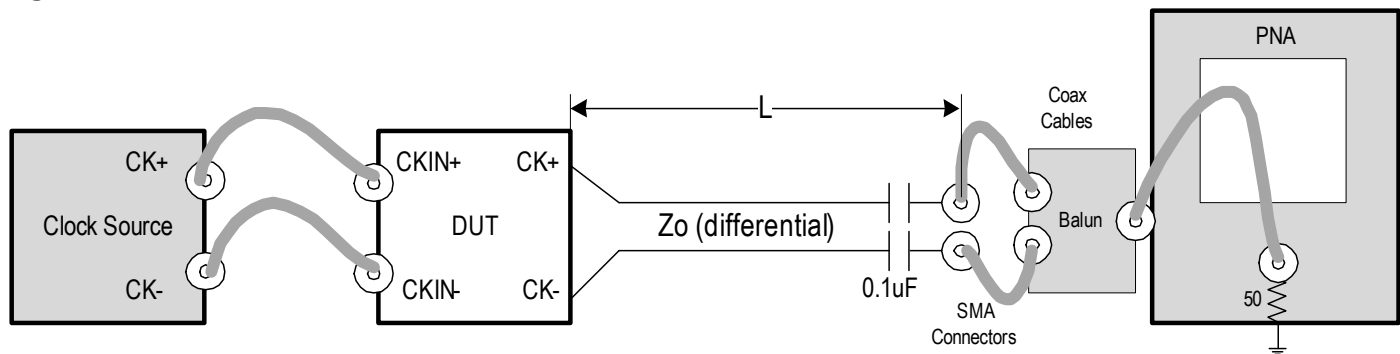


Table 14. Parameters for Output Test Loads

Clock Source	R_s (Ω)	Z_o (Ω)	L (inches)	C_L (pF)
SMA100B	Internal	85	5	2
SMA100B	7.5	100	5	2

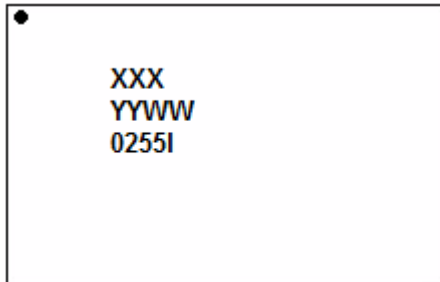
Alternate Terminations

The 9DBL family can easily drive LVPECL, LVDS, and CML logic. See [“AN-891 Driving LVPECL, LVDS, and CML Logic with “Universal” Low-Power HCSL Outputs”](#) for details.

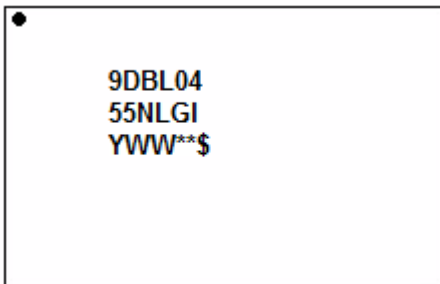
Package Outline Drawings

The package outline drawings are located at the end of this document and are accessible from the Renesas website (see [Ordering Information](#) for POD links). The package information is the most current data available and is subject to change without revision of this document.

Marking Diagrams



- Line 1 indicates the last three characters of Asm lot number.
- Line 2 indicates the following:
 - “YY” is the last digits of the year; “WW” is the work week number when the part was assembled.
- Line 3 indicates the truncated part number.



- Lines 1 and 2 indicate the part number.
- Line 3 indicates the following:
 - “Y” is the last digit of the year; “WW” is the work week number when the part was assembled.
 - “**” denotes the lot sequence.
 - “\$” denotes the mark code.

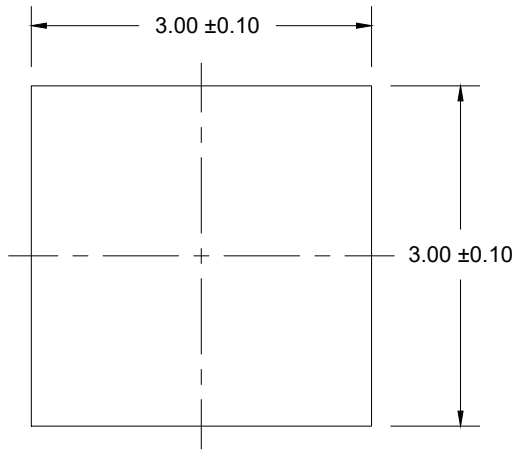
Ordering Information

Part Number	Carrier Type	Number of Outputs	Package	Temperature Range
9DBL0255NLGI	Tray	2	3 × 3mm, 16-VFQFPN	-40° to +85°C
9DBL0255NLGI8	Tape and Reel			
9DBL0455NLGI	Tray	4	4 × 4 mm, 20-VFQFPN	
9DBL0455NLGI8	Tape and Reel			

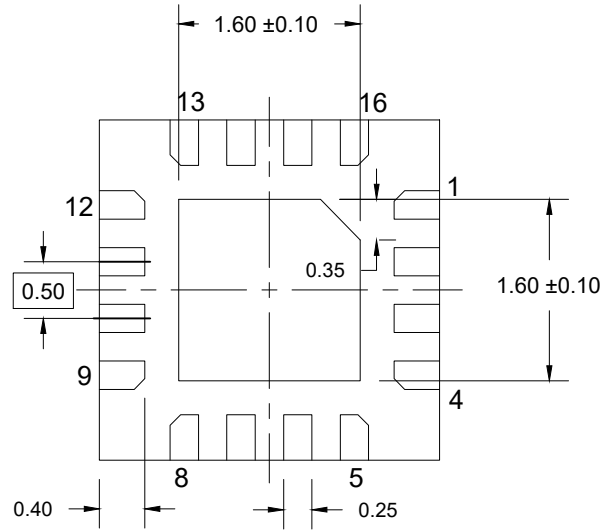
“G” denotes Pb-free, RoHS complaint configuration.

Revision History

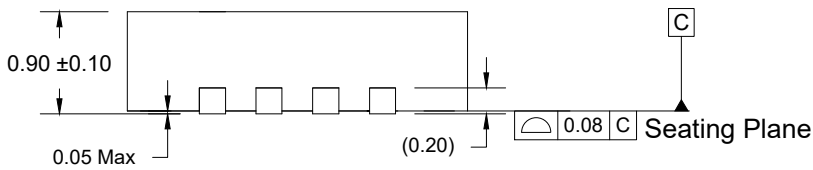
Revision Date	Description of Change
January 27, 2025	Updated the specifications and footnotes in Table 13 .
February 3, 2023	Updated POD link for 20-VFQFPN in Ordering Information .
March 17, 2021	<ul style="list-style-type: none"> ▪ Updated front page description text and features bullets. ▪ Modified block diagram to indicate pin that are 9DBL0255 only and 9DBL0455 only. ▪ Updated Package Outline Drawings section and Ordering Information table. ▪ Reformatted to Renesas.
September 30, 2019	Merged 9DBL0255 and 9DBL0455 into one single document.
August 23, 2019	Initial release.



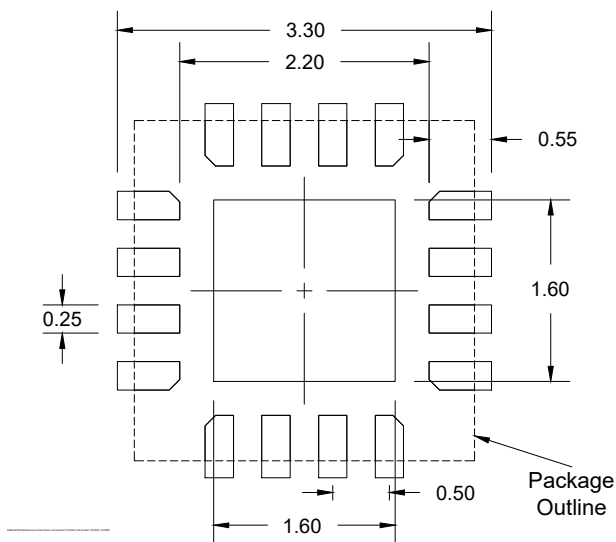
Top View



Side View



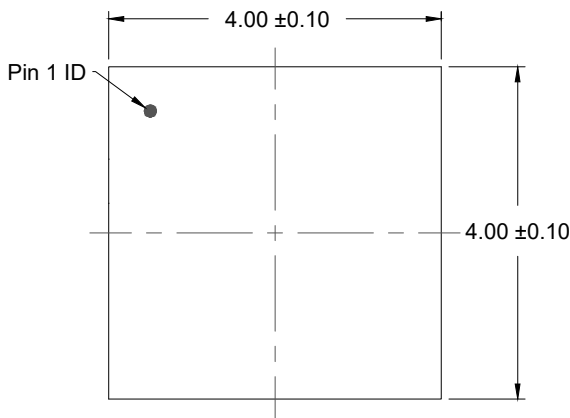
Side View



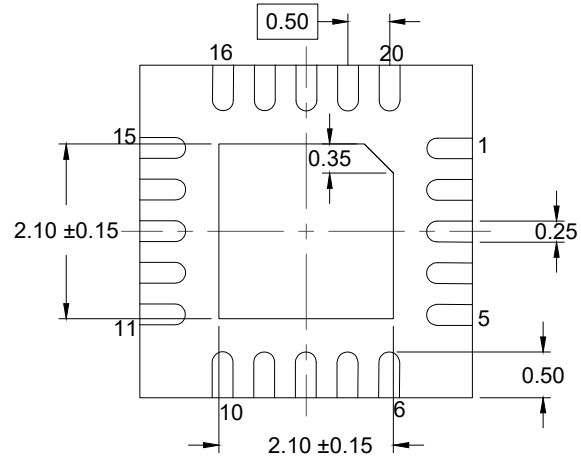
Recommended Land Pattern
(PCB Top View, NSMD Design)

Notes:

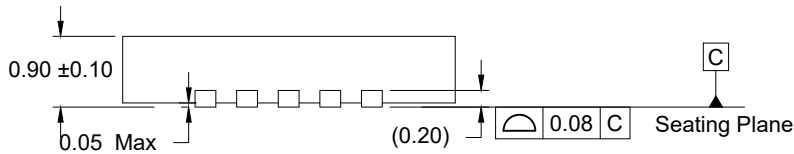
1. JEDEC compatible.
2. All dimensions are in mm. and angle are in degrees.
3. Use ± 0.50 mm. for the non-toleranced dimensions.
4. Numbers in () are for references only.



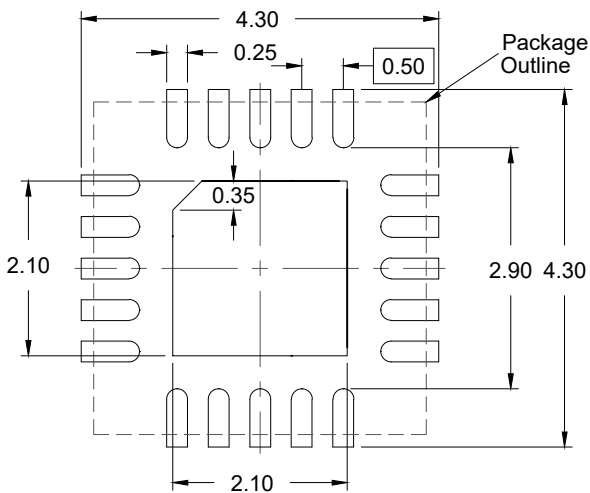
TOP VIEW



BOTTOM VIEW



SIDE VIEW



RECOMMENDED LAND PATTERN
(PCB Top View, NSMD Design)

NOTES:

1. JEDEC compatible.
2. All dimensions are in mm and angles are in degrees.
3. Use ± 0.05 mm for the non-toleranced dimensions.
4. Numbers in () are for references only.

IMPORTANT NOTICE AND DISCLAIMER

RENESAS ELECTRONICS CORPORATION AND ITS SUBSIDIARIES (“RENESAS”) PROVIDES TECHNICAL SPECIFICATIONS AND RELIABILITY DATA (INCLUDING DATASHEETS), DESIGN RESOURCES (INCLUDING REFERENCE DESIGNS), APPLICATION OR OTHER DESIGN ADVICE, WEB TOOLS, SAFETY INFORMATION, AND OTHER RESOURCES “AS IS” AND WITH ALL FAULTS, AND DISCLAIMS ALL WARRANTIES, EXPRESS OR IMPLIED, INCLUDING, WITHOUT LIMITATION, ANY IMPLIED WARRANTIES OF MERCHANTABILITY, FITNESS FOR A PARTICULAR PURPOSE, OR NON-INFRINGEMENT OF THIRD-PARTY INTELLECTUAL PROPERTY RIGHTS.

These resources are intended for developers who are designing with Renesas products. You are solely responsible for (1) selecting the appropriate products for your application, (2) designing, validating, and testing your application, and (3) ensuring your application meets applicable standards, and any other safety, security, or other requirements. These resources are subject to change without notice. Renesas grants you permission to use these resources only to develop an application that uses Renesas products. Other reproduction or use of these resources is strictly prohibited. No license is granted to any other Renesas intellectual property or to any third-party intellectual property. Renesas disclaims responsibility for, and you will fully indemnify Renesas and its representatives against, any claims, damages, costs, losses, or liabilities arising from your use of these resources. Renesas' products are provided only subject to Renesas' Terms and Conditions of Sale or other applicable terms agreed to in writing. No use of any Renesas resources expands or otherwise alters any applicable warranties or warranty disclaimers for these products.

(Disclaimer Rev.1.01)

Corporate Headquarters

TOYOSU FORESIA, 3-2-24 Toyosu,
Koto-ku, Tokyo 135-0061, Japan
www.renesas.com

Contact Information

For further information on a product, technology, the most up-to-date version of a document, or your nearest sales office, please visit www.renesas.com/contact-us/.

Trademarks

Renesas and the Renesas logo are trademarks of Renesas Electronics Corporation. All trademarks and registered trademarks are the property of their respective owners.

OUR CERTIFICATE

DiGi provide top-quality products and perfect service for customer worldwide through standardization, technological innovation and continuous improvement. DiGi through third-party certification, we strictly control the quality of products and services. Welcome your RFQ to

Email: Info@DiGi-Electronics.com



Tel: +00 852-30501935

RFQ Email: Info@DiGi-Electronics.com

DiGi is a global authorized distributor of electronic components.