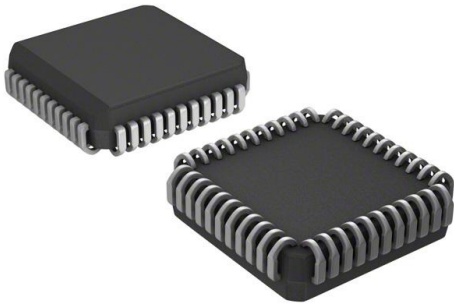


# AT17F32-30BJI Datasheet

[www.digi-electronics.com](http://www.digi-electronics.com)



<https://www.DiGi-Electronics.com>

DiGi Electronics Part Number	AT17F32-30BJI-DG
Manufacturer	<a href="#">Microchip Technology</a>
Manufacturer Product Number	AT17F32-30BJI
Description	IC EEPROM FLASH 32MBIT 44-PLCC
Detailed Description	Memory, Integrated Circuits (ICs)

This model AT17F32-30BJI is available at DiGi Electronics.

DiGi Electronics offers a global database of semiconductor and electronic component datasheets.

We welcome your inquiries regarding pricing, lead time, or other product-related questions.

 [Request a Quote](#)

 [Datasheet Search](#)



Tel: +00 852-30501935

RFQ Email: [Info@DiGi-Electronics.com](mailto:Info@DiGi-Electronics.com)

DiGi is a global authorized distributor of electronic components.

## Purchase and inquiry

Manufacturer Product Number:

AT17F32-30BJI

Series:

-

DiGi-Electronics Programmable:

Not Verified

Memory Size:

32Mb

Operating Temperature:

-40°C ~ 85°C

Package / Case:

44-LCC (J-Lead)

Base Product Number:

AT17F32

Manufacturer:

Microchip Technology

Product Status:

Obsolete

Programmable Type:

FLASH

Voltage - Supply:

2.97V ~ 3.63V

Mounting Type:

Surface Mount

Supplier Device Package:

44-PLCC (16.6x16.6)

## Environmental & Export classification

RoHS Status:

RoHS non-compliant

REACH Status:

REACH Unaffected

HTSUS:

8542.32.0051

Moisture Sensitivity Level (MSL):

2 (1 Year)

ECCN:

3A991B1B1

## Features

- Programmable 33,554,432 x 1-bit Serial Memories Designed to Store Configuration Programs for Field Programmable Gate Arrays (FPGAs)
- 3.3V Output Capability
- 5V Tolerant I/O Pins
- Program Support using the Atmel ATDH2200E System or Industry Third Party Programmers
- In-System Programmable (ISP) via 2-wire Bus
- Simple Interface to SRAM FPGAs
- Compatible with Atmel AT40K and AT94K Devices, Altera® FLEX®, APEX™ Devices, Stratix™, Lattice Semiconductor® (ORCA®) FPGAs, Spartan®, Virtex™ FPGAs
- Cascadable Read-back to Support Additional Configurations or Higher-density Arrays
- Low-power CMOS FLASH Process
- Available in 44-lead PLCC Package
- Emulation of Atmel's AT24CXXX Serial EEPROMs
- Low-power Standby Mode
- Single Device Capable of Holding 4 Bit Stream Files Allowing Simple System Reconfiguration
- Fast Serial Download Speeds up to 33 MHz
- Endurance: 10,000 Write Cycles Typical
- LHF Package Available (Lead and Halide Free)

## 1. Description

The AT17F Series of In-System Programmable Configuration PROMs (Configurators) provide an easy-to-use, cost-effective configuration memory for Field Programmable Gate Arrays. The AT17F Series device is packaged in the 44-lead PLCC, see [Table 1-1](#). The AT17F Series Configurator uses a simple serial-access procedure to configure one or more FPGA devices.

The AT17F Series Configurators can be programmed with industry-standard programmers, Atmel's ATDH2200E Programming Kit or Atmel's ATDH2225 ISP Cable.

**Table 1-1.** AT17F Series Packages

Package	AT17F32
44-lead PLCC	Yes

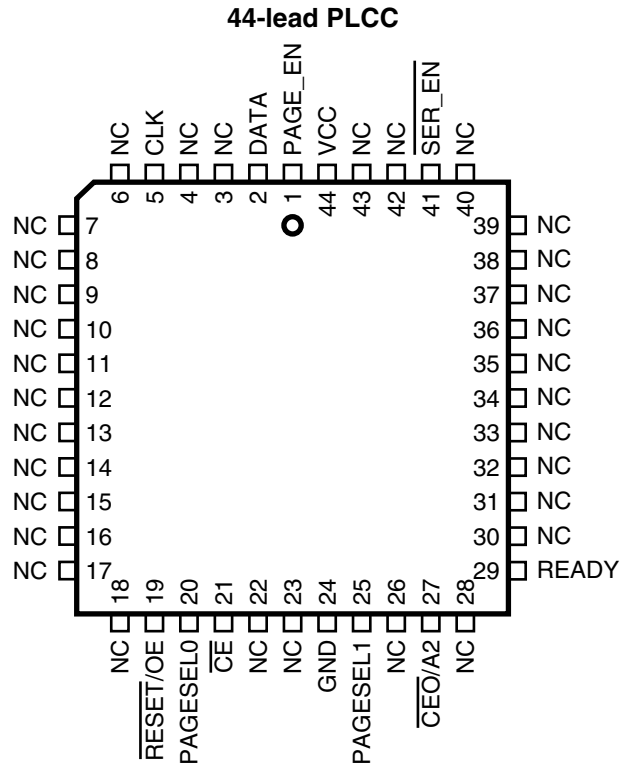


## FPGA Configuration Flash Memory

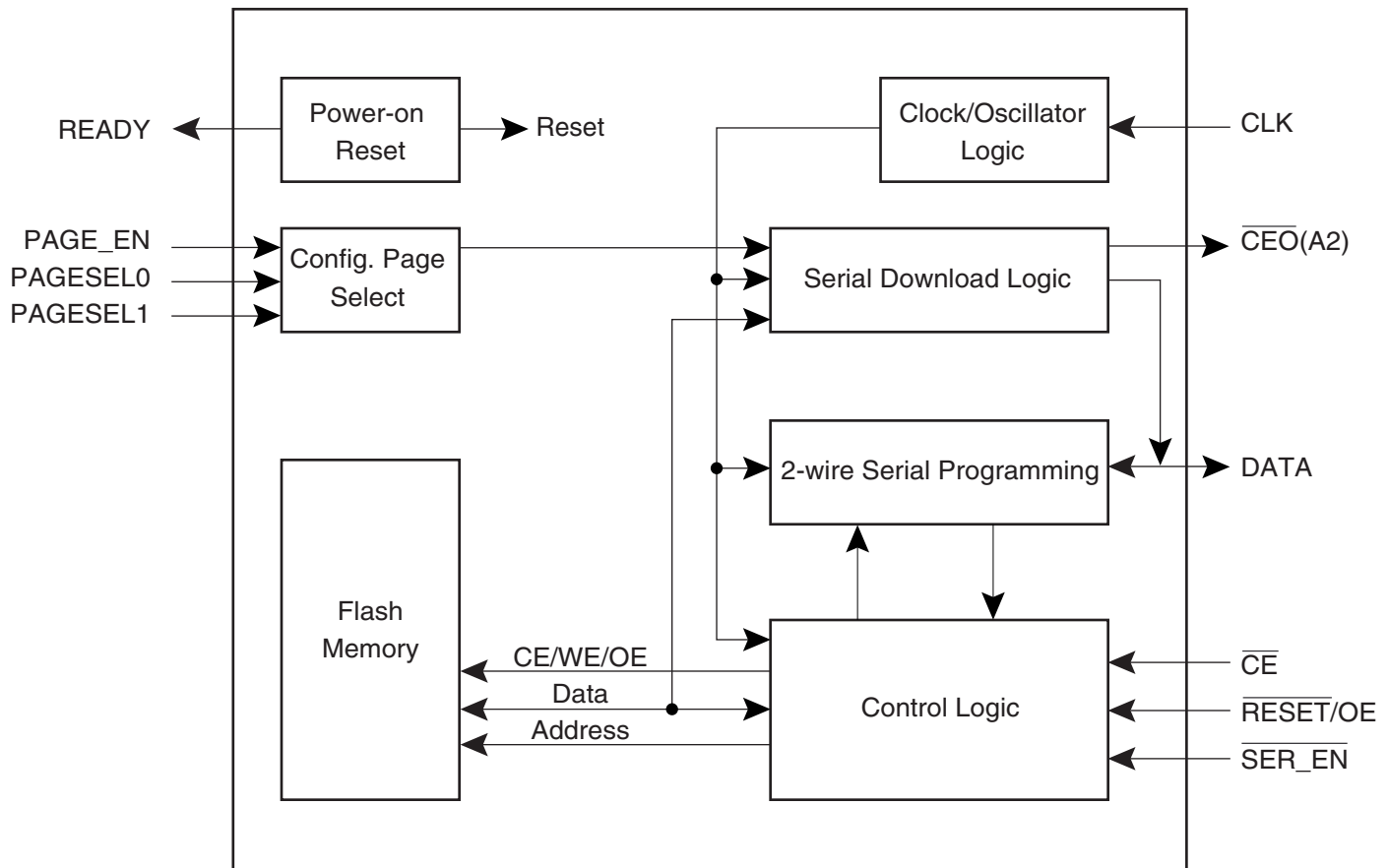
### AT17F32



## 2. Pin Configuration



### 3. Block Diagram



### 4. Device Description

The control signals for the configuration memory device ( $\overline{CE}$ ,  $\overline{RESET/OE}$ , and  $CLK$ ) interface directly with the FPGA device control signals. All FPGA devices can control the entire configuration process and retrieve data from the configuration device without requiring an external intelligent controller.

The  $\overline{RESET/OE}$  and  $\overline{CE}$  pins control the tri-state buffer on the **DATA** output pin and enable the address counter. When  $\overline{RESET/OE}$  is driven Low, the configuration device resets its address counter and tri-states its **DATA** pin. The  $\overline{CE}$  pin also controls the output of the AT17F Series Configurator. If  $\overline{CE}$  is held High after the  $\overline{RESET/OE}$  reset pulse, the counter is disabled and the **DATA** output pin is tri-stated. When  $OE$  is subsequently driven High, the counter and the **DATA** output pin are enabled. When  $\overline{RESET/OE}$  is driven Low again, the address counter is reset and the **DATA** output pin is tri-stated, regardless of the state of  $\overline{CE}$ .

When the configurator has driven out all of its data and  $\overline{CE\bar{O}}$  is driven Low, the device tri-states the **DATA** pin to avoid contention with other configurators. Upon power-up, the address counter is automatically reset.



## 5. Pin Description

**Table 5-1.** Pin Description

Name	I/O	AT17F32
		44 PLCC
DATA	I/O	2
CLK	I	5
PAGE_EN	I	1
PAGESEL0	I	20
PAGESEL1	I	25
$\overline{\text{RESET/OE}}$	I	19
$\overline{\text{CE}}$	I	21
GND	–	24
$\overline{\text{CEO}}$	O	27
A2	I	
READY	O	29
$\overline{\text{SER\_EN}}$	I	41
$V_{\text{CC}}$	–	44

### 5.1 DATA<sup>(1)</sup>

Three-state DATA output for configuration. Open-collector bi-directional pin for programming.

### 5.2 CLK<sup>(1)</sup>

Clock input. Used to increment the internal address and bit counter for reading and programming.

### 5.3 PAGE\_EN<sup>(2)</sup>

Input used to enable page download mode. When PAGE\_EN is high the configuration download address space is partitioned into 4 equal pages. This gives users the ability to easily store and retrieve multiple configuration bitstreams from a single configuration device. This input works in conjunction with the PAGESEL inputs. PAGE\_EN must remain Low if paging is not desired. When  $\overline{\text{SER\_EN}}$  is Low (ISP mode) this pin has no effect.

Notes: 1. This pin has an internal 20 K $\Omega$  pull-up resistor.  
2. This pin has an internal 30 K $\Omega$  pull-down resistor.

#### 5.4 PAGESEL[1:0]<sup>(2)</sup>

Page select inputs. Used to determine which of the 4 memory pages are targeted during a serial configuration download. The address space for each of the pages is shown in Table 5-2. When  $\overline{\text{SER\_EN}}$  is Low (ISP mode) these pins have no effect.

**Table 5-2.** Address Space

Paging Decodes	AT17F32 (32 Mbits)
PAGESEL = 00, PAGE_EN = 1	000000 – 07FFFFh
PAGESEL = 01, PAGE_EN = 1	080000 – 0FFFFFFh
PAGESEL = 10, PAGE_EN = 1	100000 – 17FFFFh
PAGESEL = 11, PAGE_EN = 1	180000 – 1FFFFFFh
PAGESEL = XX, PAGE_EN = 0	000000 – 1FFFFFFh

#### 5.5 $\overline{\text{RESET/OE}}$ <sup>(1)</sup>

Output Enable (active High) and  $\overline{\text{RESET}}$  (active Low) when  $\overline{\text{SER\_EN}}$  is High. A Low level on  $\overline{\text{RESET/OE}}$  resets both the address and bit counters. A High level (with  $\overline{\text{CE}}$  Low) enables the data output driver.

#### 5.6 $\overline{\text{CE}}$ <sup>(1)</sup>

Chip Enable input (active Low). A Low level (with OE High) allows CLK to increment the address counter and enables the data output driver. A High level on  $\overline{\text{CE}}$  disables both the address and bit counters and forces the device into a low-power standby mode. Note that this pin will *not* enable/disable the device in the 2-wire Serial Programming mode ( $\overline{\text{SER\_EN}}$  Low).

#### 5.7 GND

Ground pin. A 0.2  $\mu\text{F}$  decoupling capacitor between  $V_{\text{CC}}$  and GND is recommended.

#### 5.8 $\overline{\text{CEO}}$

Chip Enable Output (when  $\overline{\text{SER\_EN}}$  is High). This output goes Low when the internal address counter has reached its maximum value. If the PAGE\_EN input is set High, the maximum value is the highest address in the selected partition. The PAGESEL[1:0] inputs are used to make the 4 partition selections. If the PAGE\_EN input is set Low, the device is not partitioned and the address maximum value is the highest address in the device, see Table 5-2 on page 5. In a daisy chain of AT17F Series devices, the  $\overline{\text{CEO}}$  pin of one device must be connected to the  $\overline{\text{CE}}$  input of the next device in the chain. It will stay Low as long as  $\overline{\text{CE}}$  is Low and OE is High. It will then follow  $\overline{\text{CE}}$  until OE goes Low; thereafter,  $\overline{\text{CEO}}$  will stay High until the entire EEPROM is read again.

#### 5.9 A2<sup>(1)</sup>

Device selection input, (when  $\overline{\text{SER\_EN}}$  Low). The input is used to enable (or chip select) the device during programming (i.e., when  $\overline{\text{SER\_EN}}$  is Low). Refer to the AT17F Programming Specification available on the Atmel web site (www.atmel.com) for additional details.

- Notes:
1. This pin has an internal 20 K $\Omega$  pull-up resistor.
  2. This pin has an internal 30 K $\Omega$  pull-down resistor.



## 5.10 READY

Open collector reset state indicator. Driven Low during power-up reset, released when power-up is complete. (recommended 4.7 k $\Omega$  pull-up on this pin if used).

## 5.11 SER\_EN<sup>(1)</sup>

The serial enable input must remain High during FPGA configuration operations. Bringing SER\_EN Low enables the 2-Wire Serial Programming Mode. For non-ISP applications, SER\_EN should be tied to  $V_{CC}$ .

## 5.12 $V_{CC}$

+3.3V ( $\pm 10\%$ ).

Notes: 1. This pin has an internal 20 K $\Omega$  pull-up resistor.

## 6. FPGA Master Serial Mode Summary

The I/O and logic functions of any SRAM-based FPGA are established by a configuration program. The program is loaded either automatically upon power-up, or on command, depending on the state of the FPGA mode pins. In Master mode, the FPGA automatically loads the configuration program from an external memory. The AT17F Serial Configuration PROM has been designed for compatibility with the Master Serial mode.

This document discusses the Atmel AT40K, AT40KAL and AT94KAL applications as well as Xilinx applications.

## 7. Control of Configuration

Most connections between the FPGA device and the AT17F Serial Configurator PROM are simple and self-explanatory.

- The DATA output of the AT17F Series Configurator drives DIN of the FPGA devices.
- The master FPGA CCLK output drives the CLK input of the AT17F Series Configurator.
- The  $\overline{\text{CEO}}$  output of any AT17F Series Configurator drives the  $\overline{\text{CE}}$  input of the next Configurator in a cascade chain of configurator devices.
- $\overline{\text{SER\_EN}}$  must be at logic high level (internal pull-up provided) except during ISP.
- The READY pin is available as an open-collector indicator of the device's reset status; it is driven Low while the device is in its power-on reset cycle and released (tri-stated) when the cycle is complete.
- PAGE\_EN must be held Low if download paging is not desired. The PAGESEL[1:0] inputs must be tied off High or Low. If paging is desired, PAGE\_EN must be High and the PAGESEL pins must be set to High or Low such that the desired page is selected, see [Table 5-2 on page 5](#).

## 8. Cascading Serial Configuration Devices

For multiple FPGAs configured as a daisy-chain, or for FPGAs requiring larger configuration memories, cascaded configurators provide additional memory.

After the last bit from the first configurator is read, the clock signal to the configurator asserts its  $\overline{\text{CEO}}$  output Low and disables its DATA line driver. The second configurator recognizes the Low level on its  $\overline{\text{CE}}$  input and enables its DATA output.

After configuration is complete, the address counters of all cascaded configurators are reset if the  $\overline{\text{RESET/OE}}$  on each configurator is driven to its active (Low) level.

If the address counters are not to be reset upon completion, then the  $\overline{\text{RESET/OE}}$  input can be tied to its inactive (High) level.

## 9. Programming Mode

The programming mode is entered by bringing  $\overline{\text{SER\_EN}}$  Low. In this mode the chip can be programmed by the 2-wire serial bus. The programming is done at  $V_{\text{CC}}$  supply only. Programming super voltages are generated inside the chip. The AT17F parts are read/write at 3.3V nominal. Refer to the AT17F Programming Specification available on the Atmel web site ([www.atmel.com](http://www.atmel.com)) for more programming details. AT17F devices are supported by the Atmel ATDH2200 programming system along with many third party programmers.



## 10. Standby Mode

The AT17F Series Configurators enter a low-power standby mode whenever  $\overline{\text{SER\_EN}}$  is High and  $\overline{\text{CE}}$  is asserted High. In this mode, the AT17F Configurator typically consumes less than 1 mA of current at 3.3V. The output remains in a high-impedance state regardless of the state of the OE input.

## 11. Absolute Maximum Ratings\*

Operating Temperature.....	-40°C to +85°C
Storage Temperature.....	-65°C to +150°C
Voltage on Any Pin with Respect to Ground.....	-0.1V to $V_{CC} + 0.5V$
Supply Voltage ( $V_{CC}$ ).....	-0.5V to +4.0V
Maximum Soldering Temp. (10 sec. @ 1/16 in.).....	260°C
ESD ( $R_{ZAP} = 1.5K$ , $C_{ZAP} = 100$ pF).....	2000V

\*NOTICE: Stresses beyond those listed under Absolute Maximum Ratings may cause permanent damage to the device. This is a stress rating only and functional operation of the device at these or any other conditions beyond those listed under operating conditions is not implied. Exposure to Absolute Maximum Rating conditions for extended periods of time may affect device reliability.

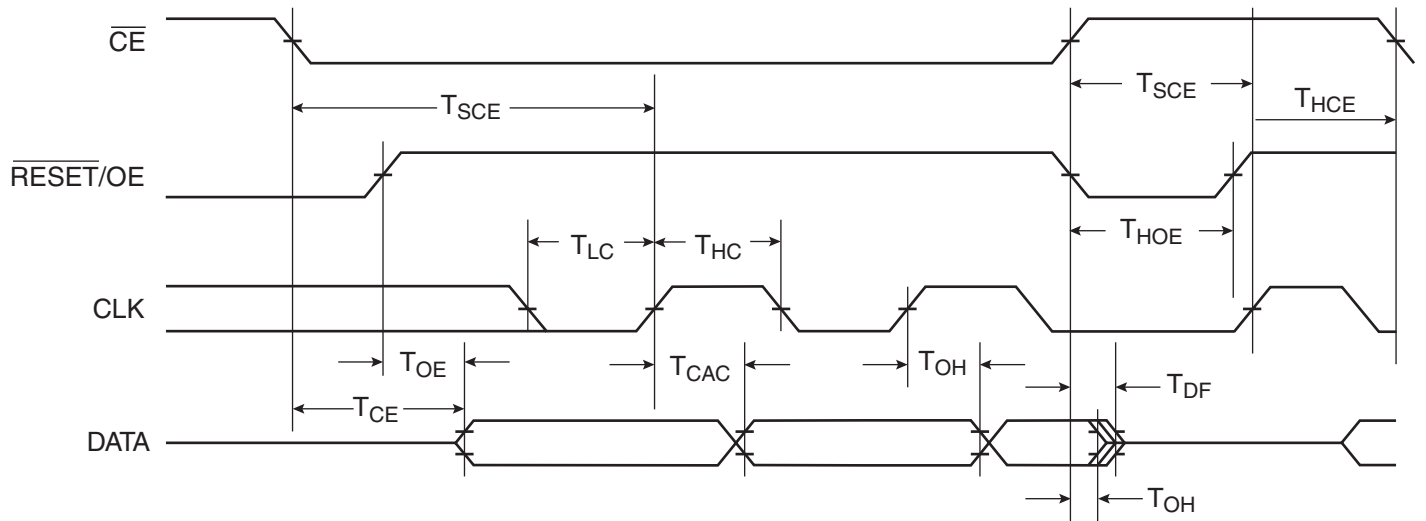
## 12. Operating Conditions

Symbol	Description	AT17F Series Configurator		Units	
		Min	Max		
$V_{CC}$	Commercial	Supply voltage relative to GND -0°C to +70°C	2.97	3.63	V
	Industrial	Supply voltage relative to GND -40°C to +85°C	2.97	3.63	V

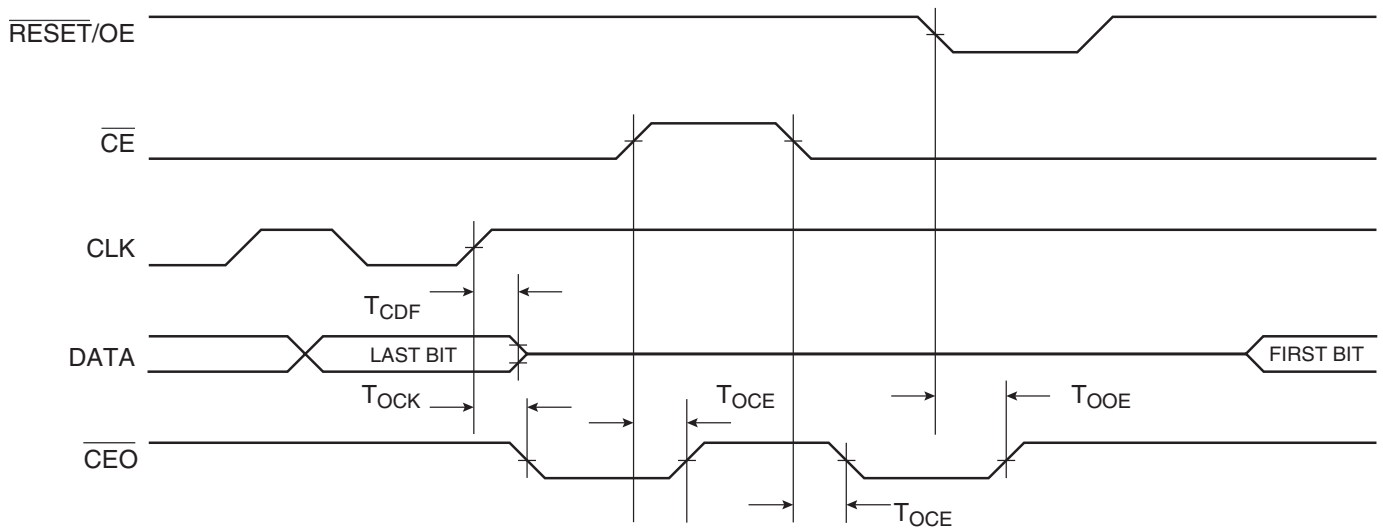
## 13. DC Characteristics

Symbol	Description	AT17F32		Units
		Min	Max	
$V_{IH}$	High-level Input Voltage	2.0	$V_{CC}$	V
$V_{IL}$	Low-level Input Voltage	0	0.8	V
$V_{OH}$	High-level Output Voltage ( $I_{OH} = -2.5$ mA)	2.4	0.4	V
$V_{OL}$	Low-level Output Voltage ( $I_{OL} = +3$ mA)			Commercial
$V_{OH}$	High-level Output Voltage ( $I_{OH} = -2$ mA)	2.4	0.4	V
$V_{OL}$	Low-level Output Voltage ( $I_{OL} = +3$ mA)			Industrial
$I_{CCA}$	Supply Current, Active Mode		50	mA
$I_L$	Input or Output Leakage Current ( $V_{IN} = V_{CC}$ or GND)	-10	10	$\mu A$
$I_{CCS}$	Supply Current, Standby Mode	Commercial	3	mA
		Industrial	3	mA
$I_{CCE}$	Supply Current, Erase Mode	Commercial	50	mA
		Industrial	50	mA

**14. AC Characteristics**



**15. AC Characteristics when Cascading**





## 16. AC Characteristics

Symbol	Description	AT17F32			Units
		Min	Typ	Max	
T <sub>OE</sub> <sup>(2)</sup>	OE to Data Delay	Commercial		50	ns
		Industrial <sup>(1)</sup>		55	ns
T <sub>CE</sub> <sup>(2)</sup>	$\overline{\text{CE}}$ to Data Delay	Commercial		55	ns
		Industrial <sup>(1)</sup>		60	ns
T <sub>CAC</sub> <sup>(2)</sup>	CLK to Data Delay	Commercial		30	ns
		Industrial <sup>(1)</sup>		30	ns
T <sub>OH</sub>	Data Hold from $\overline{\text{CE}}$ , OE, or CLK	Commercial	0		ns
		Industrial <sup>(1)</sup>	0		ns
T <sub>DF</sub> <sup>(3)</sup>	$\overline{\text{CE}}$ or OE to Data Float Delay	Commercial		15	ns
		Industrial <sup>(1)</sup>		15	ns
T <sub>LC</sub>	CLK Low Time	Commercial	15		ns
		Industrial <sup>(1)</sup>	15		ns
T <sub>HC</sub>	CLK High Time	Commercial	15		ns
		Industrial <sup>(1)</sup>	15		ns
T <sub>SCE</sub>	$\overline{\text{CE}}$ Setup Time to CLK (to guarantee proper counting)	Commercial	20		ns
		Industrial <sup>(1)</sup>	25		ns
T <sub>HCE</sub>	$\overline{\text{CE}}$ Hold Time from CLK (to guarantee proper counting)	Commercial	0		ns
		Industrial <sup>(1)</sup>	0		ns
T <sub>HOE</sub>	$\overline{\text{RESET}}/\text{OE}$ Low Time (guarantees counter is reset)	Commercial	20		ns
		Industrial <sup>(1)</sup>	20		ns
F <sub>MAX</sub>	Maximum Input Clock Frequency $\overline{\text{SEREN}} = 0$	Commercial		10	MHz
		Industrial <sup>(1)</sup>		10	MHz
F <sub>MAX</sub>	Maximum Input Clock Frequency $\overline{\text{SEREN}} = 1$	Commercial		33	MHz
		Industrial <sup>(1)</sup>		33	MHz
T <sub>WR</sub>	Write Cycle Time <sup>(4)</sup>	Commercial		12	$\mu\text{s}$
		Industrial <sup>(1)</sup>		12	$\mu\text{s}$
T <sub>EC</sub>	Erase Cycle Time <sup>(4)</sup>	Commercial		50	s
		Industrial <sup>(1)</sup>		50	s

- Notes:
1. Preliminary specifications for military operating range only.
  2. AC test lead = 50 pF.
  3. Float delays are measured with 5 pF AC loads. Transition is measured  $\pm 200$  mV from steady-state active levels.
  4. See the AT17F Programming Specification for procedural information.
  5. Times given are per byte typical.

## 16.1 AC Characteristics When Cascading

Symbol	Description	AT17F32		Units
		Min	Max	
$T_{CDF}^{(3)}$	CLK to Data Float Delay	Commercial	50	ns
		Industrial	50	ns
$T_{OCK}^{(2)}$	CLK to $\overline{CEO}$ Delay	Commercial	50	ns
		Industrial	55	ns
$T_{OCE}^{(2)}$	$\overline{CE}$ to $\overline{CEO}$ Delay	Commercial	35	ns
		Industrial	40	ns
$T_{OOE}^{(2)}$	$\overline{RESET/OE}$ to $\overline{CEO}$ Delay	Commercial	35	ns
		Industrial	35	ns

Notes: 1. AC test lead = 50 pF.

2. Float delays are measured with 5 pF AC loads. Transition is measured  $\pm 200$  mV from steady-state active levels.

## 17. Thermal Resistance Coefficients

Package Type		AT17F32	
44J	Plastic Leaded Chip Carrier (PLCC)	$\theta_{JC}$ [ $^{\circ}\text{C}/\text{W}$ ]	15
		$\theta_{JA}$ [ $^{\circ}\text{C}/\text{W}$ ] <sup>(1)</sup>	50

Note: 1. Airflow = 0 ft/min.



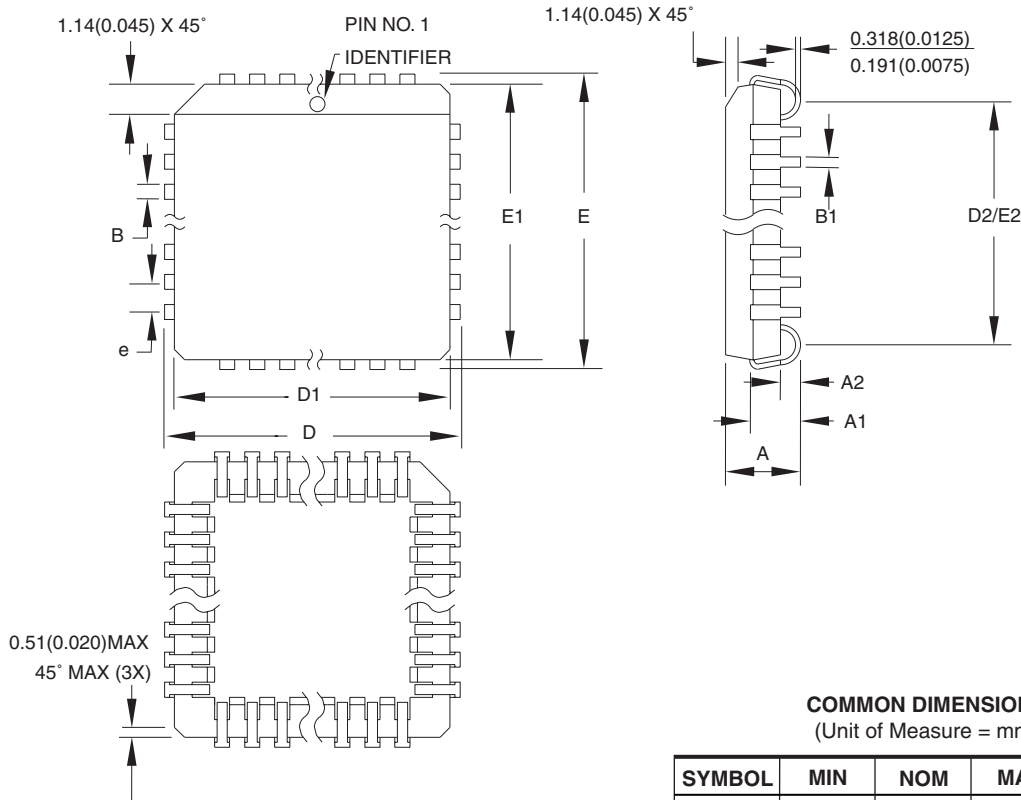
## 18. Ordering Information

Memory Size	Ordering Code	Package	Operation Range
32-Mbit	AT17F32-30BJC	44J - 44 PLCC	Commercial
	AT17F32-30BJI	44J - 44 PLCC	Industrial
	AT17F32-30BJU	44J - 44 PLCC	LHF Industrial

Package Type	
44J	44-lead, Plastic J-leaded Chip Carrier (PLCC)

## 19. Packaging Information

### 19.1 44J – PLCC



- Notes:
1. This package conforms to JEDEC reference MS-018, Variation AC.
  2. Dimensions D1 and E1 do not include mold protrusion. Allowable protrusion is .010"(0.254 mm) per side. Dimension D1 and E1 include mold mismatch and are measured at the extreme material condition at the upper or lower parting line.
  3. Lead coplanarity is 0.004" (0.102 mm) maximum.

10/04/01



2325 Orchard Parkway  
San Jose, CA 95131

**TITLE**

**44J, 44-lead, Plastic J-leaded Chip Carrier (PLCC)**

**DRAWING NO.**

44J

**REV.**

B





## Atmel Corporation

2325 Orchard Parkway  
San Jose, CA 95131, USA  
Tel: 1(408) 441-0311  
Fax: 1(408) 487-2600

## Regional Headquarters

### Europe

Atmel Sarl  
Route des Arsenalux 41  
Case Postale 80  
CH-1705 Fribourg  
Switzerland  
Tel: (41) 26-426-5555  
Fax: (41) 26-426-5500

### Asia

Room 1219  
Chinachem Golden Plaza  
77 Mody Road Tsimshatsui  
East Kowloon  
Hong Kong  
Tel: (852) 2721-9778  
Fax: (852) 2722-1369

### Japan

9F, Tonetsu Shinkawa Bldg.  
1-24-8 Shinkawa  
Chuo-ku, Tokyo 104-0033  
Japan  
Tel: (81) 3-3523-3551  
Fax: (81) 3-3523-7581

## Atmel Operations

### Memory

2325 Orchard Parkway  
San Jose, CA 95131, USA  
Tel: 1(408) 441-0311  
Fax: 1(408) 436-4314

### Microcontrollers

2325 Orchard Parkway  
San Jose, CA 95131, USA  
Tel: 1(408) 441-0311  
Fax: 1(408) 436-4314

La Chantrerie  
BP 70602  
44306 Nantes Cedex 3, France  
Tel: (33) 2-40-18-18-18  
Fax: (33) 2-40-18-19-60

### ASIC/ASSP/Smart Cards

Zone Industrielle  
13106 Rousset Cedex, France  
Tel: (33) 4-42-53-60-00  
Fax: (33) 4-42-53-60-01

1150 East Cheyenne Mtn. Blvd.  
Colorado Springs, CO 80906, USA  
Tel: 1(719) 576-3300  
Fax: 1(719) 540-1759

Scottish Enterprise Technology Park  
Maxwell Building  
East Kilbride G75 0QR, Scotland  
Tel: (44) 1355-803-000  
Fax: (44) 1355-242-743

### RF/Automotive

Theresienstrasse 2  
Postfach 3535  
74025 Heilbronn, Germany  
Tel: (49) 71-31-67-0  
Fax: (49) 71-31-67-2340

1150 East Cheyenne Mtn. Blvd.  
Colorado Springs, CO 80906, USA  
Tel: 1(719) 576-3300  
Fax: 1(719) 540-1759

### Biometrics/Imaging/Hi-Rel MPU/ High Speed Converters/RF Datacom

Avenue de Rochepleine  
BP 123  
38521 Saint-Egreve Cedex, France  
Tel: (33) 4-76-58-30-00  
Fax: (33) 4-76-58-34-80

---

## Literature Requests

[www.atmel.com/literature](http://www.atmel.com/literature)

**Disclaimer:** The information in this document is provided in connection with Atmel products. No license, express or implied, by estoppel or otherwise, to any intellectual property right is granted by this document or in connection with the sale of Atmel products. **EXCEPT AS SET FORTH IN ATMEL'S TERMS AND CONDITIONS OF SALE LOCATED ON ATMEL'S WEB SITE, ATMEL ASSUMES NO LIABILITY WHATSOEVER AND DISCLAIMS ANY EXPRESS, IMPLIED OR STATUTORY WARRANTY RELATING TO ITS PRODUCTS INCLUDING, BUT NOT LIMITED TO, THE IMPLIED WARRANTY OF MERCHANTABILITY, FITNESS FOR A PARTICULAR PURPOSE, OR NON-INFRINGEMENT. IN NO EVENT SHALL ATMEL BE LIABLE FOR ANY DIRECT, INDIRECT, CONSEQUENTIAL, PUNITIVE, SPECIAL OR INCIDENTAL DAMAGES (INCLUDING, WITHOUT LIMITATION, DAMAGES FOR LOSS OF PROFITS, BUSINESS INTERRUPTION, OR LOSS OF INFORMATION) ARISING OUT OF THE USE OR INABILITY TO USE THIS DOCUMENT, EVEN IF ATMEL HAS BEEN ADVISED OF THE POSSIBILITY OF SUCH DAMAGES.** Atmel makes no representations or warranties with respect to the accuracy or completeness of the contents of this document and reserves the right to make changes to specifications and product descriptions at any time without notice. Atmel does not make any commitment to update the information contained herein. Atmel's products are not intended, authorized, or warranted for use as components in applications intended to support or sustain life.

© Atmel Corporation 2005. All rights reserved. Atmel®, logo and combinations thereof, Everywhere You Are® and others, are registered trademarks or trademarks of Atmel Corporation or its subsidiaries. Other terms and product names may be trademarks of others.



Printed on recycled paper.

## OUR CERTIFICATE

DiGi provide top-quality products and perfect service for customer worldwide through standardization, technological innovation and continuous improvement. DiGi through third-party certification, we stricly control the quality of products and services. Welcome your RFQ to

Email: [Info@DiGi-Electronics.com](mailto:Info@DiGi-Electronics.com)



Tel: +00 852-30501935

RFQ Email: [Info@DiGi-Electronics.com](mailto:Info@DiGi-Electronics.com)

DiGi is a global authorized distributor of electronic components.