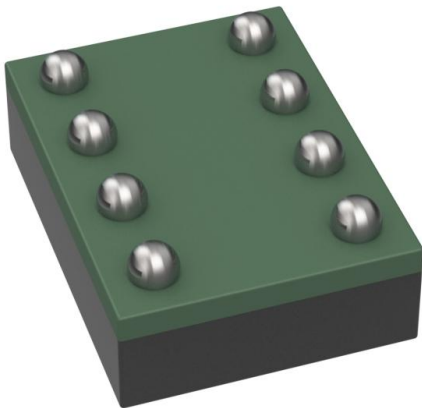


AT24C01C-CUM-T Datasheet

www.digi-electronics.com



<https://www.DiGi-Electronics.com>

| | |
|------------------------------|---|
| DiGi Electronics Part Number | AT24C01C-CUM-T-DG |
| Manufacturer | Microchip Technology |
| Manufacturer Product Number | AT24C01C-CUM-T |
| Description | IC EEPROM 1KBIT I2C 1MHZ 8VFBGA |
| Detailed Description | EEPROM Memory IC 1Kbit I2C 1 MHz 550 ns 8-VFBGA (1.5x2) |

This model AT24C01C-CUM-T is available at DiGi Electronics.

DiGi Electronics offers a global database of semiconductor and electronic component datasheets.

We welcome your inquiries regarding pricing, lead time, or other product-related questions.

 [Request a Quote](#)

 [Datasheet Search](#)



Tel: +00 852-30501935

RFQ Email: Info@DiGi-Electronics.com

DiGi is a global authorized distributor of electronic components.

Purchase and inquiry

Manufacturer Product Number:

AT24C01C-CUM-T

Series:

-

DiGi-Electronics Programmable:

Not Verified

Memory Format:

EEPROM

Memory Size:

1Kbit

Memory Interface:

I2C

Write Cycle Time - Word, Page:

5ms

Voltage - Supply:

1.7V ~ 5.5V

Mounting Type:

Surface Mount

Supplier Device Package:

8-VFBGA (1.5x2)

Manufacturer:

Microchip Technology

Product Status:

Active

Memory Type:

Non-Volatile

Technology:

EEPROM

Memory Organization:

128 x 8

Clock Frequency:

1 MHz

Access Time:

550 ns

Operating Temperature:

-40°C ~ 85°C (TA)

Package / Case:

8-VFBGA

Base Product Number:

AT24C01

Environmental & Export classification

RoHS Status:

ROHS3 Compliant

REACH Status:

REACH Unaffected

HTSUS:

8542.32.0051

Moisture Sensitivity Level (MSL):

3 (168 Hours)

ECCN:

EAR99



AT24C01C/AT24C02C

I²C-Compatible (Two-Wire) Serial EEPROM 1-Kbit (128 x 8), 2-Kbit (256 x 8)

Features

- Low-Voltage Operation:
 - $V_{CC} = 1.7V$ to 5.5V
- Internally Organized as 128 x 8 (1K) or 256 x 8 (2K)
- Industrial Temperature Range: -40°C to +85°C
- I²C-Compatible (Two-Wire) Serial Interface:
 - 100 kHz Standard mode, 1.7V to 5.5V
 - 400 kHz Fast mode, 1.7V to 5.5V
 - 1 MHz Fast Mode Plus (FM+), 2.5V to 5.5V
- Schmitt Triggers, Filtered Inputs for Noise Suppression
- Bidirectional Data Transfer Protocol
- Write-Protect Pin for Full Array Hardware Data Protection
- Ultra Low Active Current (3 mA maximum) and Standby Current (6 μ A maximum)
- 8-Byte Page Write Mode:
 - Partial page writes allowed
- Random and Sequential Read Modes
- Self-Timed Write Cycle within 5 ms Maximum
- ESD Protection > 4,000V
- High Reliability:
 - Endurance: 1,000,000 write cycles
 - Data retention: 100 years
- Green Package Options (Lead-free/Halide-free/RoHS compliant)
- Die Sale Options: Wafer Form and Bumped Wafers

Packages

- 8-Lead PDIP, 8-Lead SOIC, 5-Lead SOT23, 8-Lead TSSOP, 8-Pad UDFN and 8-Ball VFBGA

Table of Contents

| | |
|---|----|
| Features..... | 1 |
| Packages..... | 1 |
| 1. Package Types (not to scale)..... | 4 |
| 2. Pin Descriptions..... | 5 |
| 2.1. Device Address Inputs (A0, A1, A2)..... | 5 |
| 2.2. Ground..... | 5 |
| 2.3. Serial Data (SDA)..... | 5 |
| 2.4. Serial Clock (SCL)..... | 6 |
| 2.5. Write-Protect (WP)..... | 6 |
| 2.6. Device Power Supply..... | 6 |
| 3. Description..... | 7 |
| 3.1. System Configuration Using Two-Wire Serial EEPROMs | 7 |
| 3.2. Block Diagram..... | 8 |
| 4. Electrical Characteristics..... | 9 |
| 4.1. Absolute Maximum Ratings..... | 9 |
| 4.2. DC and AC Operating Range..... | 9 |
| 4.3. DC Characteristics..... | 9 |
| 4.4. AC Characteristics..... | 10 |
| 4.5. Electrical Specifications..... | 11 |
| 5. Device Operation and Communication..... | 13 |
| 5.1. Clock and Data Transition Requirements..... | 13 |
| 5.2. Start and Stop Conditions..... | 13 |
| 5.3. Acknowledge and No-Acknowledge..... | 14 |
| 5.4. Standby Mode..... | 14 |
| 5.5. Software Reset..... | 15 |
| 6. Memory Organization..... | 16 |
| 6.1. Device Addressing..... | 16 |
| 7. Write Operations..... | 18 |
| 7.1. Byte Write..... | 18 |
| 7.2. Page Write..... | 18 |
| 7.3. Acknowledge Polling..... | 19 |
| 7.4. Write Cycle Timing..... | 19 |
| 7.5. Write Protection..... | 20 |
| 8. Read Operations..... | 21 |
| 8.1. Current Address Read..... | 21 |
| 8.2. Random Read..... | 21 |

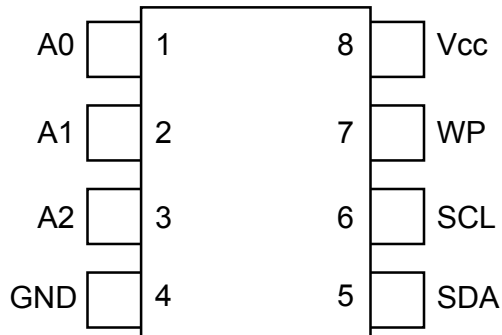
| | |
|---|----|
| 8.3. Sequential Read..... | 22 |
| 9. Device Default Condition from Microchip..... | 23 |
| 10. Packaging Information..... | 24 |
| 10.1. Package Marking Information..... | 24 |
| 11. Revision History..... | 39 |
| The Microchip Web Site..... | 41 |
| Customer Change Notification Service..... | 41 |
| Customer Support..... | 41 |
| Product Identification System..... | 42 |
| Microchip Devices Code Protection Feature..... | 43 |
| Legal Notice..... | 43 |
| Trademarks..... | 43 |
| Quality Management System Certified by DNV..... | 44 |
| Worldwide Sales and Service..... | 45 |

AT24C01C/AT24C02C

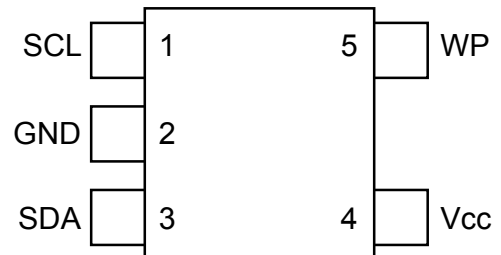
Package Types (not to scale)

1. Package Types (not to scale)

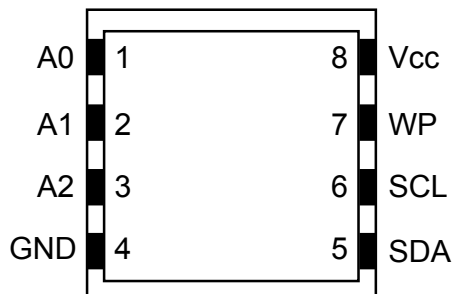
8-lead PDIP/SOIC/TSSOP (Top View)



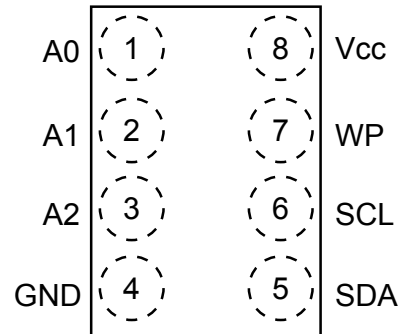
5-lead SOT23⁽¹⁾ (Top View)



8-pad UDFN (Top View)



8-ball VFBGA (Top View)



Note:

1. Refer to [Device Addressing](#) for details about addressing the SOT23 version of the device.

2. Pin Descriptions

The descriptions of the pins are listed in [Table 2-1](#).

Table 2-1. Pin Function Table

| Name | 8-Lead PDIP | 8-Lead SOIC | 8-Lead TSSOP | 5-Lead SOT23 | 8-Pad UDFN ⁽¹⁾ | 8-Ball VFBGA | Function |
|-------------------|-------------|-------------|--------------|--------------|---------------------------|--------------|----------------------|
| A0 ⁽²⁾ | 1 | 1 | 1 | — | 1 | 1 | Device Address Input |
| A1 ⁽²⁾ | 2 | 2 | 2 | — | 2 | 2 | Device Address Input |
| A2 ⁽²⁾ | 3 | 3 | 3 | — | 3 | 3 | Device Address Input |
| GND | 4 | 4 | 4 | 2 | 4 | 4 | Ground |
| SDA | 5 | 5 | 5 | 3 | 5 | 5 | Serial Data |
| SCL | 6 | 6 | 6 | 1 | 6 | 6 | Serial Clock |
| WP ⁽²⁾ | 7 | 7 | 7 | 5 | 7 | 7 | Write-Protect |
| V _{CC} | 8 | 8 | 8 | 4 | 8 | 8 | Device Power Supply |

Note:

1. The exposed pad on the this package can be connected to GND or left floating.
2. If the A0, A1, A2 or WP pins are not driven, they are internally pulled down to GND. In order to operate in a wide variety of application environments, the pull-down mechanism is intentionally designed to be somewhat strong. Once these pins are biased above the CMOS input buffer's trip point ($\sim 0.5 \times V_{CC}$), the pull-down mechanism disengages. Microchip recommends connecting these pins to a known state whenever possible.

2.1 Device Address Inputs (A0, A1, A2)

The A0, A1 and A2 pins are device address inputs that are hard-wired (directly to GND or to V_{CC}) for compatibility with other two-wire Serial EEPROM devices. When the pins are hard-wired, as many as eight devices may be addressed on a single bus system. A device is selected when a corresponding hardware and software match is true. If these pins are left floating, the A0, A1 and A2 pins will be internally pulled down to GND. However, due to capacitive coupling that may appear in customer applications, Microchip recommends always connecting the address pins to a known state. When using a pull-up resistor, Microchip recommends using 10 k Ω or less.

2.2 Ground

The ground reference for the power supply. GND should be connected to the system ground.

2.3 Serial Data (SDA)

The SDA pin is an open-drain bidirectional input/output pin used to serially transfer data to and from the device. The SDA pin must be pulled high using an external pull-up resistor (not to exceed 10 k Ω in value) and may be wire-ORed with any number of other open-drain or open-collector pins from other devices on the same bus.

2.4 Serial Clock (SCL)

The SCL pin is used to provide a clock to the device and to control the flow of data to and from the device. Command and input data present on the SDA pin is always latched in on the rising edge of SCL, while output data on the SDA pin is clocked out on the falling edge of SCL. The SCL pin must either be forced high when the serial bus is idle or pulled high using an external pull-up resistor.

2.5 Write-Protect (WP)

The write-protect input, when connected to GND, allows normal write operations. When the WP pin is connected directly to V_{CC} , all write operations to the protected memory are inhibited.

If the pin is left floating, the WP pin will be internally pulled down to GND. However, due to capacitive coupling that may appear in customer applications, Microchip recommends always connecting the WP pin to a known state. When using a pull-up resistor, Microchip recommends using 10 k Ω or less.

Table 2-2. Write-Protect

| WP Pin Status | Part of the Array Protected |
|---------------|-----------------------------|
| At V_{CC} | Full Array |
| At GND | Normal Write Operations |

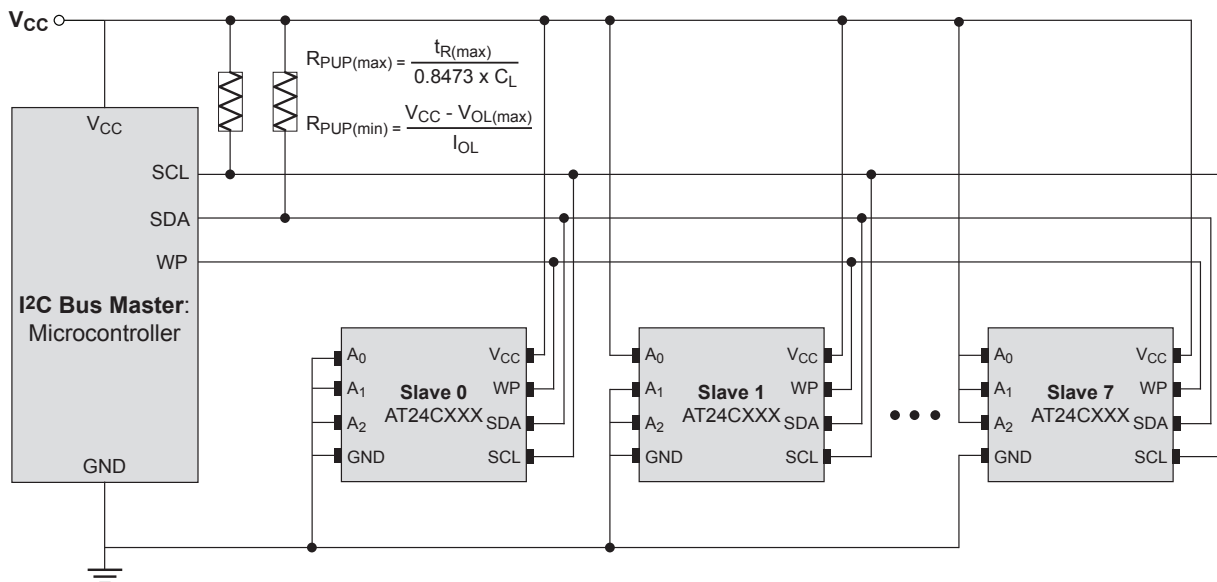
2.6 Device Power Supply

The V_{CC} pin is used to supply the source voltage to the device. Operations at invalid V_{CC} voltages may produce spurious results and should not be attempted.

3. Description

The AT24C01C/AT24C02C provides 1,024/2,048 bits of Serial Electrically Erasable and Programmable Read-Only Memory (EEPROM) organized as 128/256 words of 8 bits each. The device's cascading feature allows up to eight devices to share a common two-wire bus. This device is optimized for use in many industrial and commercial applications where low-power and low-voltage operations are essential. The device is available in space-saving 8-lead SOIC, 8-lead TSSOP, 8-pad UDFN, 8-lead PDIP, 5-lead SOT23 and 8-ball VFBGA packages. All packages operate from 1.7V to 5.5V.

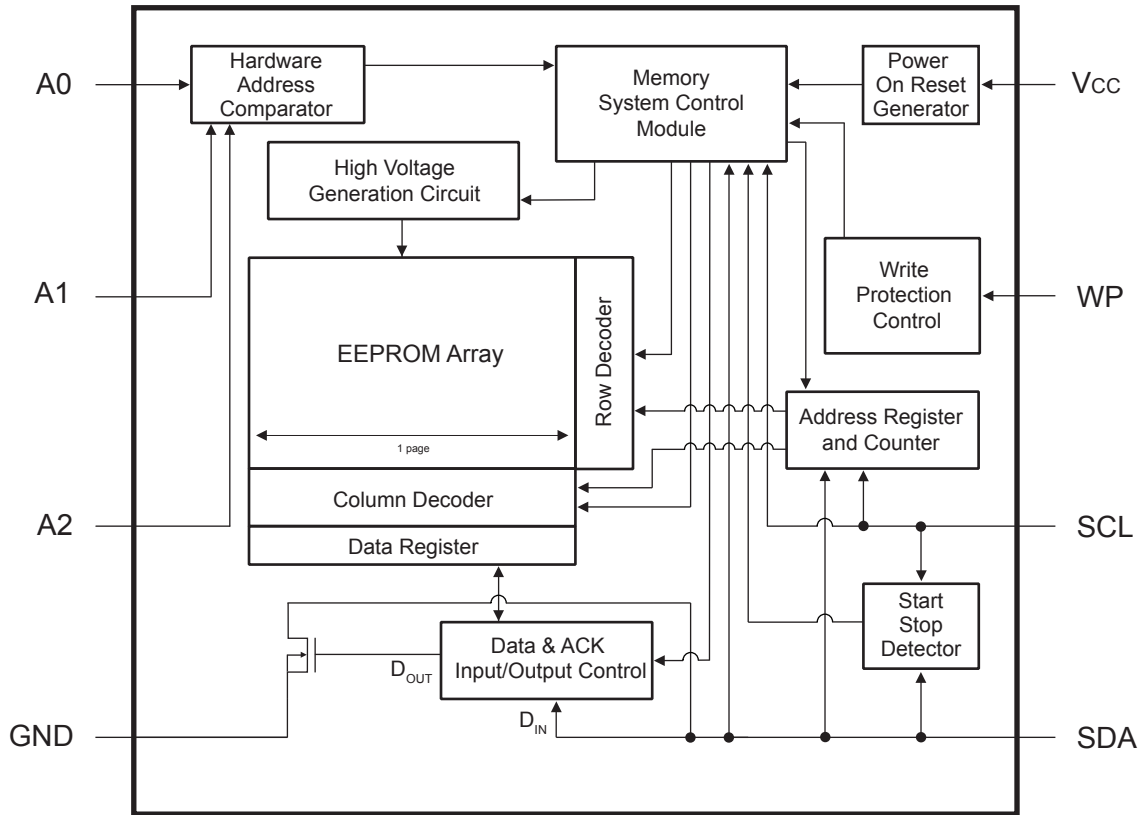
3.1 System Configuration Using Two-Wire Serial EEPROMs



AT24C01C/AT24C02C

Description

3.2 Block Diagram



AT24C01C/AT24C02C**Electrical Characteristics****4. Electrical Characteristics****4.1 Absolute Maximum Ratings**

| | |
|---|-----------------|
| Temperature under bias | -55°C to +125°C |
| Storage temperature | -65°C to +150°C |
| V _{CC} | 6.25V |
| Voltage on any pin with respect to ground | -1.0V to +7.0V |
| DC output current | 5.0 mA |
| ESD protection | >4 kV |

Note: Stresses above those listed under “Absolute Maximum Ratings” may cause permanent damage to the device. This is a stress rating only and functional operation of the device at these or any other conditions above those indicated in the operation listings of this specification is not implied. Exposure to absolute maximum rating conditions for extended periods may affect device reliability.

4.2 DC and AC Operating Range**Table 4-1. DC and AC Operating Range**

| AT24C01C/AT24C02C | | |
|------------------------------|------------------------------|----------------|
| Operating Temperature (Case) | Industrial Temperature Range | -40°C to +85°C |
| V _{CC} Power Supply | Low Voltage Grade | 1.7V to 5.5V |

4.3 DC Characteristics**Table 4-2. DC Characteristics**

| Parameter | Symbol | Minimum | Typical ⁽¹⁾ | Maximum | Units | Test Conditions |
|-----------------|------------------|---------|------------------------|---------|-------|--|
| Supply Voltage | V _{CC} | 1.7 | — | 5.5 | V | |
| Supply Current | I _{CC1} | — | 0.4 | 1.0 | mA | V _{CC} = 5.0V, Read at 400 kHz |
| Supply Current | I _{CC2} | — | 2.0 | 3.0 | mA | V _{CC} = 5.0V, Write at 400 kHz |
| Standby Current | I _{SB} | — | — | 1.0 | μA | V _{CC} = 1.7V, V _{IN} = V _{CC} or GND |
| | | — | — | 2.0 | μA | V _{CC} = 2.5V, V _{IN} = V _{CC} or GND |
| | | — | — | 6.0 | μA | V _{CC} = 5.5V, V _{IN} = V _{CC} or GND |

AT24C01C/AT24C02C**Electrical Characteristics**

|continued | | | | | | |
|------------------------|-----------|---------------------|------------------------|---------------------|---------------|--|
| Parameter | Symbol | Minimum | Typical ⁽¹⁾ | Maximum | Units | Test Conditions |
| Input Leakage Current | I_{LI} | — | 0.10 | 3.0 | μA | $V_{IN} = V_{CC}$ or GND |
| Output Leakage Current | I_{LO} | — | 0.05 | 3.0 | μA | $V_{OUT} = V_{CC}$ or GND |
| Input Low Level | V_{IL} | -0.6 | — | $V_{CC} \times 0.3$ | V | Note 2 |
| Input High Level | V_{IH} | $V_{CC} \times 0.7$ | — | $V_{CC} + 0.5$ | V | Note 2 |
| Output Low Level | V_{OL1} | — | — | 0.2 | V | $V_{CC} = 1.7\text{V}$, $I_{OL} = 0.15\text{ mA}$ |
| Output Low Level | V_{OL2} | — | — | 0.4 | V | $V_{CC} = 3.0\text{V}$, $I_{OL} = 2.1\text{ mA}$ |

Note:

1. Typical values characterized at $T_A = +25^\circ\text{C}$ unless otherwise noted.
2. This parameter is characterized but is not 100% tested in production.

4.4 AC Characteristics**Table 4-3. AC Characteristics⁽¹⁾**

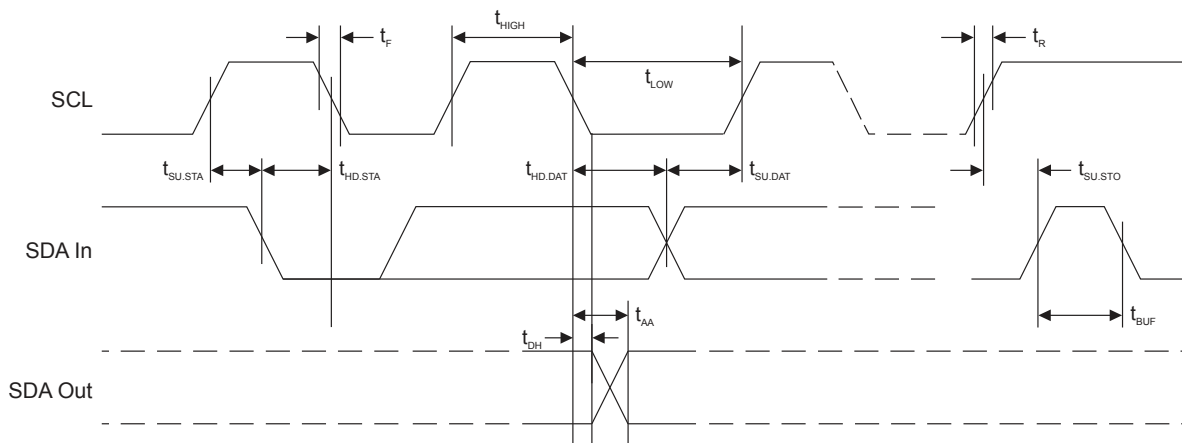
| Parameter | Symbol | Fast Mode | | Fast Mode Plus | | Units |
|--------------------------------------|--------------|---------------------------------------|------|---------------------------------------|------|-------|
| | | $V_{CC} = 1.7\text{V to }2.5\text{V}$ | | $V_{CC} = 2.5\text{V to }5.5\text{V}$ | | |
| | | Min. | Max. | Min. | Max. | |
| Clock Frequency, SCL | f_{SCL} | — | 400 | — | 1000 | kHz |
| Clock Pulse Width Low | t_{LOW} | 1,200 | — | 500 | — | ns |
| Clock Pulse Width High | t_{HIGH} | 600 | — | 400 | — | ns |
| Input Filter Spike Suppression | t_I | — | 100 | — | 50 | ns |
| Clock Low to Data Out Valid | t_{AA} | 100 | 900 | 50 | 450 | ns |
| Bus Free Time between Stop and Start | t_{BUF} | 1,200 | — | 500 | — | ns |
| Start Hold Time | $t_{HD.STA}$ | 600 | — | 250 | — | ns |
| Start Set-Up Time | $t_{SU.STA}$ | 600 | — | 250 | — | ns |
| Data In Hold Time | $t_{HD.DAT}$ | 0 | — | 0 | — | ns |

AT24C01C/AT24C02C**Electrical Characteristics**

|continued | | | | | | |
|---------------------------------|--------------|----------------------------------|------|----------------------------------|------|-------|
| Parameter | Symbol | Fast Mode | | Fast Mode Plus | | Units |
| | | $V_{CC} = 1.7V \text{ to } 2.5V$ | | $V_{CC} = 2.5V \text{ to } 5.5V$ | | |
| | | Min. | Max. | Min. | Max. | |
| Data In Set-up Time | $t_{SU.DAT}$ | 100 | — | 100 | — | ns |
| Inputs Rise Time ⁽²⁾ | t_R | — | 300 | — | 300 | ns |
| Inputs Fall Time ⁽²⁾ | t_F | — | 300 | — | 100 | ns |
| Stop Set-Up Time | $t_{SU.STO}$ | 600 | — | 250 | — | ns |
| Data Out Hold Time | t_{DH} | 50 | — | 50 | — | ns |
| Write Cycle Time | t_{WR} | — | 5 | — | 5 | ms |

Note:

- AC measurement conditions:
 - C_L : 100 pF
 - R_{PUP} (SDA bus line pull-up resistor to V_{CC}): 1.3 k Ω (1000 kHz), 4 k Ω (400 kHz), 10 k Ω (100 kHz)
 - Input pulse voltages: 0.3 x V_{CC} to 0.7 x V_{CC}
 - Input rise and fall times: ≤ 50 ns
 - Input and output timing reference voltages: 0.5 x V_{CC}
- These parameters are determined through product characterization and are not 100% tested in production.

Figure 4-1. Bus Timing**4.5 Electrical Specifications****4.5.1 Power-Up Requirements and Reset Behavior**

During a power-up sequence, the V_{CC} supplied to the AT24C01C/AT24C02C should monotonically rise from GND to the minimum V_{CC} level, as specified in [Table 4-1](#), with a slew rate no faster than 0.1 V/ μ s.

AT24C01C/AT24C02C**Electrical Characteristics****4.5.1.1 Device Reset**

To prevent inadvertent write operations or any other spurious events from occurring during a power-up sequence, the AT24C01C/AT24C02C includes a Power-on Reset (POR) circuit. Upon power-up, the device will not respond to any commands until the V_{CC} level crosses the internal voltage threshold (V_{POR}) that brings the device out of Reset and into Standby mode.

The system designer must ensure the instructions are not sent to the device until the V_{CC} supply has reached a stable value greater than or equal to the minimum V_{CC} level. Additionally, once the V_{CC} is greater than or equal to the minimum V_{CC} level, the bus master must wait at least t_{PUP} before sending the first command to the device. See [Table 4-4](#) for the values associated with these power-up parameters.

Table 4-4. Power-up Conditions⁽¹⁾

| Symbol | Parameter | Min. | Max. | Units |
|------------|--|------|------|---------|
| t_{PUP} | Time required after V_{CC} is stable before the device can accept commands | 100 | — | μ s |
| V_{POR} | Power-on Reset Threshold Voltage | — | 1.5 | V |
| t_{POFF} | Minimum time at $V_{CC} = 0V$ between power cycles | 500 | — | ms |

Note:

- These parameters are characterized but they are not 100% tested in production.

If an event occurs in the system where the V_{CC} level supplied to the AT24C01C/AT24C02C drops below the maximum V_{POR} level specified, it is recommended that a full power cycle sequence be performed by first driving the V_{CC} pin to GND, waiting at least the minimum t_{POFF} time and then performing a new power-up sequence in compliance with the requirements defined in this section.

4.5.2 Pin Capacitance**Table 4-5. Pin Capacitance⁽¹⁾**

| Symbol | Test Condition | Max. | Units | Conditions |
|-----------|--|------|-------|----------------|
| $C_{I/O}$ | Input/Output Capacitance (SDA) | 8 | pF | $V_{I/O} = 0V$ |
| C_{IN} | Input Capacitance (A0, A1, A2 and SCL) | 6 | pF | $V_{IN} = 0V$ |

Note:

- This parameter is characterized but is not 100% tested in production.

4.5.3 EEPROM Cell Performance Characteristics**Table 4-6. EEPROM Cell Performance Characteristics**

| Operation | Test Condition | Min. | Max. | Units |
|--------------------------------|---|-----------|------|--------------|
| Write Endurance ⁽¹⁾ | $T_A = 25^\circ C$, $V_{CC} = 3.3V$, Page Write mode | 1,000,000 | — | Write Cycles |
| Data Retention ⁽¹⁾ | $T_A = 55^\circ C$ | 100 | — | Years |

Note:

- Performance is determined through characterization and the qualification process.

AT24C01C/AT24C02C

Device Operation and Communication

5. Device Operation and Communication

The AT24C01C/AT24C02C operates as a slave device and utilizes a simple I²C-compatible two-wire digital serial interface to communicate with a host controller, commonly referred to as the bus master. The master initiates and controls all read and write operations to the slave devices on the serial bus, and both the master and the slave devices can transmit and receive data on the bus.

The serial interface is comprised of just two signal lines: Serial Clock (SCL) and Serial Data (SDA). The SCL pin is used to receive the clock signal from the master, while the bidirectional SDA pin is used to receive command and data information from the master as well as to send data back to the master. Data is always latched into the AT24C01C/AT24C02C on the rising edge of SCL and always output from the device on the falling edge of SCL. Both the SCL and SDA pin incorporate integrated spike suppression filters and Schmitt Triggers to minimize the effects of input spikes and bus noise.

All command and data information is transferred with the Most Significant bit (MSb) first. During bus communication, one data bit is transmitted every clock cycle, and after eight bits (one byte) of data have been transferred, the receiving device must respond with either an Acknowledge (ACK) or a No-Acknowledge (NACK) response bit during a ninth clock cycle (ACK/NACK clock cycle) generated by the master. Therefore, nine clock cycles are required for every one byte of data transferred. There are no unused clock cycles during any read or write operation, so there must not be any interruptions or breaks in the data stream during each data byte transfer and ACK or NACK clock cycle.

During data transfers, data on the SDA pin must only change while SCL is low, and the data must remain stable while SCL is high. If data on the SDA pin changes while SCL is high, then either a Start or a Stop condition will occur. Start and Stop conditions are used to initiate and end all serial bus communication between the master and the slave devices. The number of data bytes transferred between a Start and a Stop condition is not limited and is determined by the master. In order for the serial bus to be idle, both the SCL and SDA pins must be in the logic-high state at the same time.

5.1 Clock and Data Transition Requirements

The SDA pin is an open-drain terminal and therefore must be pulled high with an external pull-up resistor. SCL is an input pin that can either be driven high or pulled high using an external pull-up resistor. Data on the SDA pin may change only during SCL low time periods. Data changes during SCL high periods will indicate a Start or Stop condition as defined below. The relationship of the AC timing parameters with respect to SCL and SDA for the AT24C01C/AT24C02C are shown in the timing waveform in [Figure 4-1](#). The AC timing characteristics and specifications are outlined in [AC Characteristics](#).

5.2 Start and Stop Conditions

5.2.1 Start Condition

A Start condition occurs when there is a high-to-low transition on the SDA pin while the SCL pin is at a stable logic '1' state and will bring the device out of Standby mode. The master uses a Start condition to initiate any data transfer sequence; therefore, every command must begin with a Start condition. The device will continuously monitor the SDA and SCL pins for a Start condition but will not respond unless one is detected. Refer to [Figure 5-1](#) for more details.

5.2.2 Stop Condition

A Stop condition occurs when there is a low-to-high transition on the SDA pin while the SCL pin is stable in the logic '1' state.

AT24C01C/AT24C02C

Device Operation and Communication

The master can use the Stop condition to end a data transfer sequence with the AT24C01C/AT24C02C, which will subsequently return to Standby mode. The master can also utilize a repeated Start condition instead of a Stop condition to end the current data transfer if the master will perform another operation. Refer to [Figure 5-1](#) for more details.

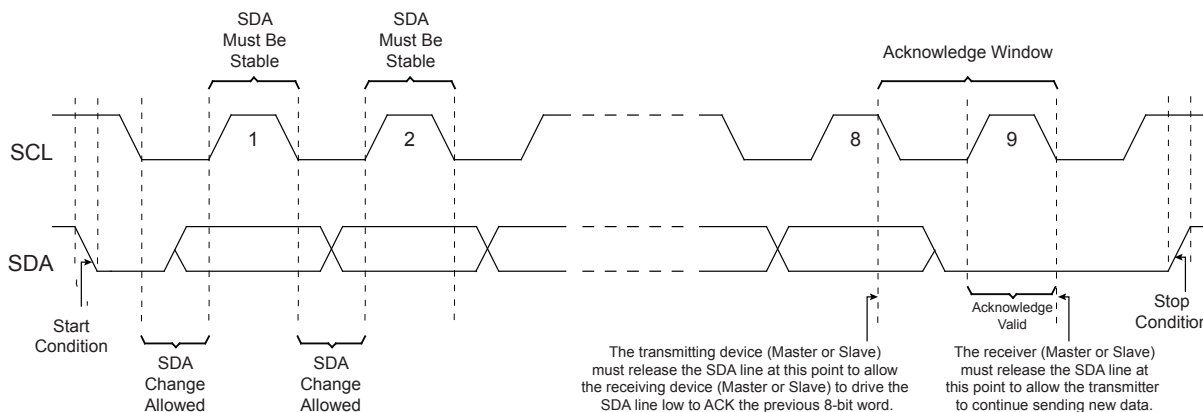
5.3 Acknowledge and No-Acknowledge

After every byte of data is received, the receiving device must confirm to the transmitting device that it has successfully received the data byte by responding with what is known as an Acknowledge (ACK). An ACK is accomplished by the transmitting device first releasing the SDA line at the falling edge of the eighth clock cycle followed by the receiving device responding with a logic '0' during the entire high period of the ninth clock cycle.

When the AT24C01C/AT24C02C is transmitting data to the master, the master can indicate that it is done receiving data and wants to end the operation by sending a logic '1' response to the AT24C01C/AT24C02C instead of an ACK response during the ninth clock cycle. This is known as a No-Acknowledge (NACK) and is accomplished by the master sending a logic '1' during the ninth clock cycle, at which point the AT24C01C/AT24C02C will release the SDA line so the master can then generate a Stop condition.

The transmitting device, which can be the bus master or the Serial EEPROM, must release the SDA line at the falling edge of the eighth clock cycle to allow the receiving device to drive the SDA line to a logic '0' to ACK the previous 8-bit word. The receiving device must release the SDA line at the end of the ninth clock cycle to allow the transmitter to continue sending new data. A timing diagram has been provided in [Figure 5-1](#) to better illustrate these requirements.

Figure 5-1. Start Condition, Data Transitions, Stop Condition and Acknowledge



5.4 Standby Mode

The AT24C01C/AT24C02C features a low-power Standby mode that is enabled when any one of the following occurs:

- A valid power-up sequence is performed (see [Power-Up Requirements and Reset Behavior](#)).
- A Stop condition is received by the device unless it initiates an internal write cycle (see [Write Operations](#)).
- At the completion of an internal write cycle (see [Write Operations](#)).

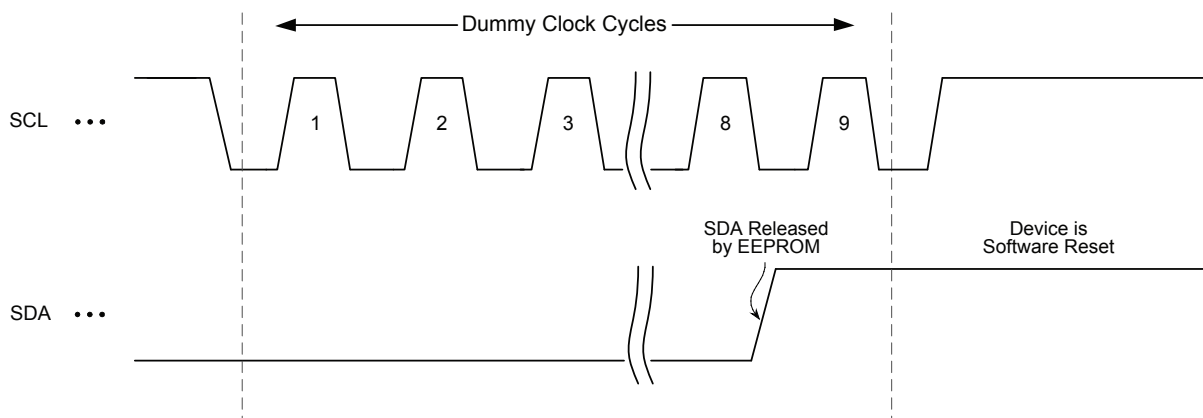
AT24C01C/AT24C02C

Device Operation and Communication

5.5 Software Reset

After an interruption in protocol, power loss or system Reset, any two-wire device can be protocol reset by clocking SCL until SDA is released by the EEPROM and goes high. The number of clock cycles until SDA is released by the EEPROM will vary. The software Reset sequence should not take more than nine dummy clock cycles. Once the software Reset sequence is complete, new protocol can be sent to the device by sending a Start condition followed by the protocol. Refer to [Figure 5-2](#) for an illustration.

Figure 5-2. Software Reset



In the event that the device is still non-responsive or remains active on the SDA bus, a power cycle must be used to reset the device (see [Power-Up Requirements and Reset Behavior](#)).

6. Memory Organization

The AT24C01C is internally organized as 16 pages of 8 bytes each. The AT24C02C is internally organized as 32 pages of 8 bytes each.

6.1 Device Addressing

Accessing the device requires an 8-bit device address byte following a Start condition to enable the device for a read or write operation. Since multiple slave devices can reside on the serial bus, each slave device must have its own unique address so the master can access each device independently.

The Most Significant four bits of the device address byte is referred to as the device type identifier. The device type identifier '1010' (Ah) is required in bits 7 through 4 of the device address byte (see [Table 6-1](#)).

Following the 4-bit device type identifier are the hardware slave address bits, A2, A1 and A0. These bits can be used to expand the address space by allowing up to eight Serial EEPROM devices on the same bus. These hardware slave address bits must correlate with the voltage level on the corresponding hardwired device address input pins A0, A1 and A2. The A0, A1 and A2 pins use an internal proprietary circuit that automatically biases the pin to a logic '0' state if the pin is allowed to float. In order to operate in a wide variety of application environments, the pull-down mechanism is intentionally designed to be somewhat strong. Once the pin is biased above the CMOS input buffer's trip point ($\sim 0.5 \times V_{CC}$), the pull-down mechanism disengages. Microchip recommends connecting the A0, A1 and A2 pins to a known state whenever possible.

When using the SOT23 package, the A2, A1 and A0 pins are not accessible and are left floating. The previously mentioned automatic pull-down circuit will set this pin to a logic '0' state. As a result, to properly communicate with the device in the SOT23 package, the A2, A1 and A0 software bits must always be set to logic '0' for any operation. Refer to [Table 6-1](#) to review these bit positions.

The eighth bit (bit 0) of the device address byte is the Read/Write Select bit. A read operation is initiated if this bit is high and a write operation is initiated if this bit is low.

Upon the successful comparison of the device address byte, the AT24C01C/AT24C02C will return an ACK. If a valid comparison is not made, the device will NACK.

Table 6-1. Device Address Byte

| Package | Device Type Identifier | | | | Hardware Slave Address Bits | | | R/ \bar{W} Select |
|--------------------------------|------------------------|-------|-------|-------|-----------------------------|-------|-------|---------------------|
| | Bit 7 | Bit 6 | Bit 5 | Bit 4 | Bit 3 | Bit 2 | Bit 1 | Bit 0 |
| SOIC, TSSOP, UDFN, PDIP, VFBGA | 1 | 0 | 1 | 0 | A2 | A1 | A0 | R/ \bar{W} |
| SOT23 | 1 | 0 | 1 | 0 | 0 | 0 | 0 | R/ \bar{W} |

For all operations except the current address read, a word address byte must be transmitted to the device immediately following the device address byte. The word address byte contains a 7-bit (in the case of the AT24C01C) or 8-bit (in the case of the AT24C02C) memory array word address, and is used to specify which byte location in the EEPROM to start reading or writing. Refer to [Table 6-2](#) to review these bit positions.

AT24C01C/AT24C02C

Memory Organization

Table 6-2. Word Address Byte

| Device | Bit 7 | Bit 6 | Bit 5 | Bit 4 | Bit 3 | Bit 2 | Bit 1 | Bit 0 |
|----------|------------------|-------|-------|-------|-------|-------|-------|-------|
| AT24C01C | X ⁽¹⁾ | A6 | A5 | A4 | A3 | A2 | A1 | A0 |
| AT24C02C | A7 | A6 | A5 | A4 | A3 | A2 | A1 | A0 |

Note:

1. Bit 7 is a “don't care” bit on the AT24C01C.

AT24C01C/AT24C02C

Write Operations

7. Write Operations

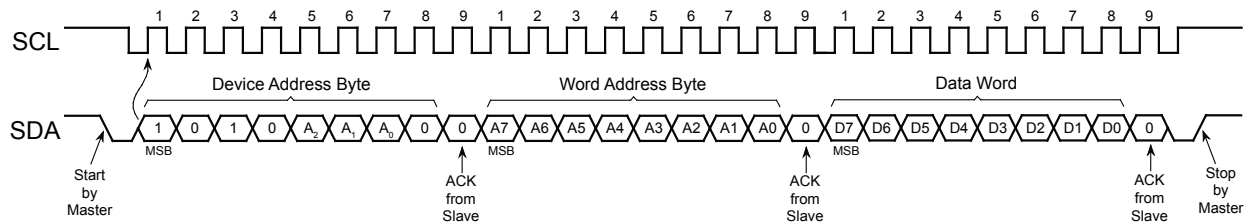
All write operations for the AT24C01C/AT24C02C begin with the master sending a Start condition, followed by a device address byte with the R/W bit set to logic '0', and then by the word address byte. The data value(s) to be written to the device immediately follow the word address byte.

7.1 Byte Write

The AT24C01C/AT24C02C supports the writing of a single 8-bit byte. Selecting a data word in the AT24C01C requires a 7-bit word address, while selecting a data word in the AT24C02C requires an 8-bit word address.

Upon receipt of the proper device address and the word address bytes, the EEPROM will send an Acknowledge. The device will then be ready to receive the 8-bit data word. Following receipt of the 8-bit data word, the EEPROM will respond with an ACK. The addressing device, such as a bus master, must then terminate the write operation with a Stop condition. At that time, the EEPROM will enter an internally self-timed write cycle, which will be completed within t_{WR} , while the data word is being programmed into the nonvolatile EEPROM. All inputs are disabled during this write cycle, and the EEPROM will not respond until the write is complete.

Figure 7-1. Byte Write



7.2 Page Write

A page write operation allows up to 8 bytes to be written in the same write cycle, provided all bytes are in the same row of the memory array (where address bits A7 to A3 are the same). Partial page writes of less than 8 bytes are also allowed.

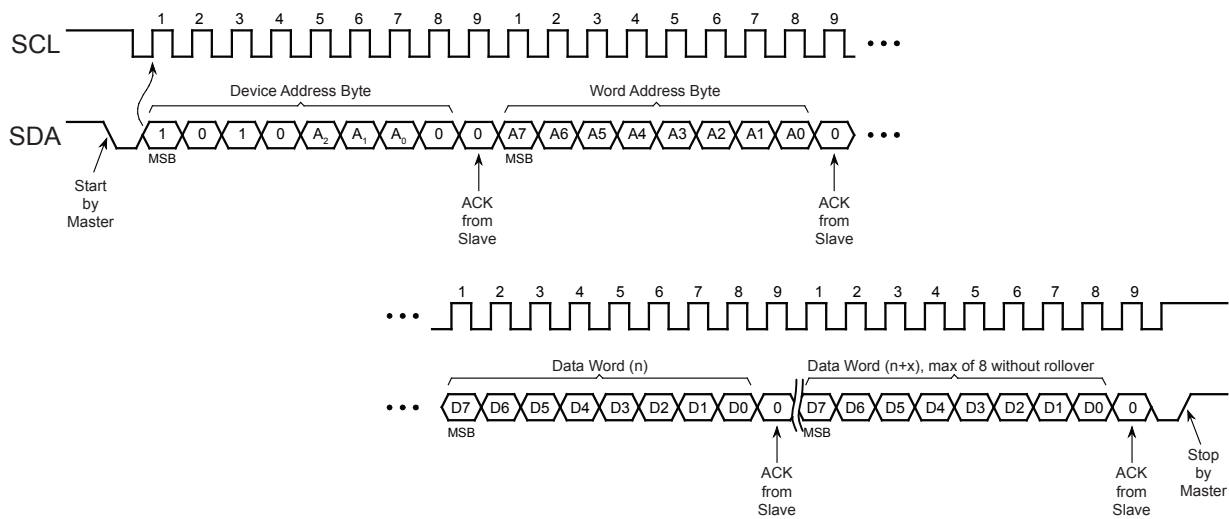
A page write is initiated the same way as a byte write, but the bus master does not send a Stop condition after the first data word is clocked in. Instead, after the EEPROM acknowledges receipt of the first data word, the bus master can transmit up to seven additional data words. The EEPROM will respond with an ACK after each data word is received. Once all data to be written has been sent to the device, the bus master must issue a Stop condition (see [Figure 7-2](#)) at which time the internally self-timed write cycle will begin.

The lower three bits of the word address are internally incremented following the receipt of each data word. The higher order address bits are not incremented and retain the memory page row location. Page write operations are limited to writing bytes within a single physical page, regardless of the number of bytes actually being written. When the incremented word address reaches the page boundary, the address counter will roll-over to the beginning of the same page. Nevertheless, creating a roll-over event should be avoided as previously loaded data in the page could become unintentionally altered.

AT24C01C/AT24C02C

Write Operations

Figure 7-2. Page Write

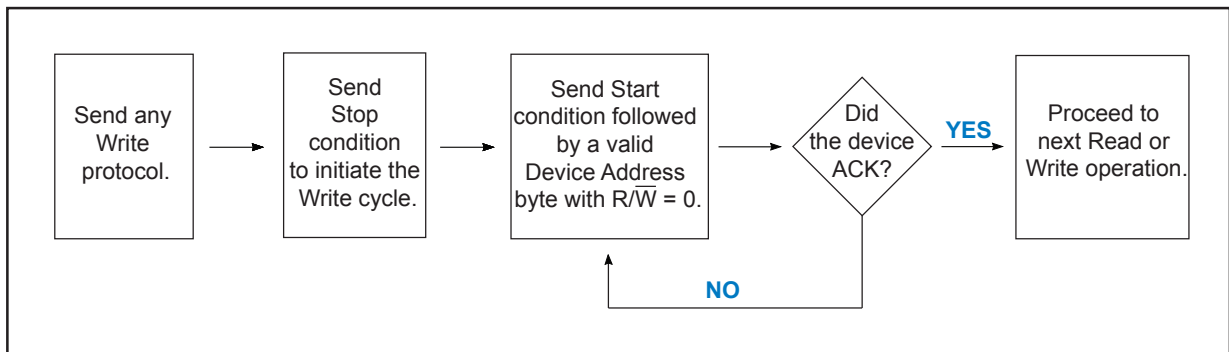


7.3 Acknowledge Polling

An Acknowledge Polling routine can be implemented to optimize time-sensitive applications that would prefer not to wait the fixed maximum write cycle time (t_{WR}). This method allows the application to know immediately when the Serial EEPROM write cycle has completed, so a subsequent operation can be started.

Once the internally self-timed write cycle has started, an Acknowledge Polling routine can be initiated. This involves repeatedly sending a Start condition followed by a valid device address byte with the R/\bar{W} bit set at logic '0'. The device will not respond with an ACK while the write cycle is ongoing. Once the internal write cycle has completed, the EEPROM will respond with an ACK, allowing a new read or write operation to be immediately initiated. A flowchart has been included below in [Figure 7-3](#) to better illustrate this technique.

Figure 7-3. Acknowledge Polling Flowchart



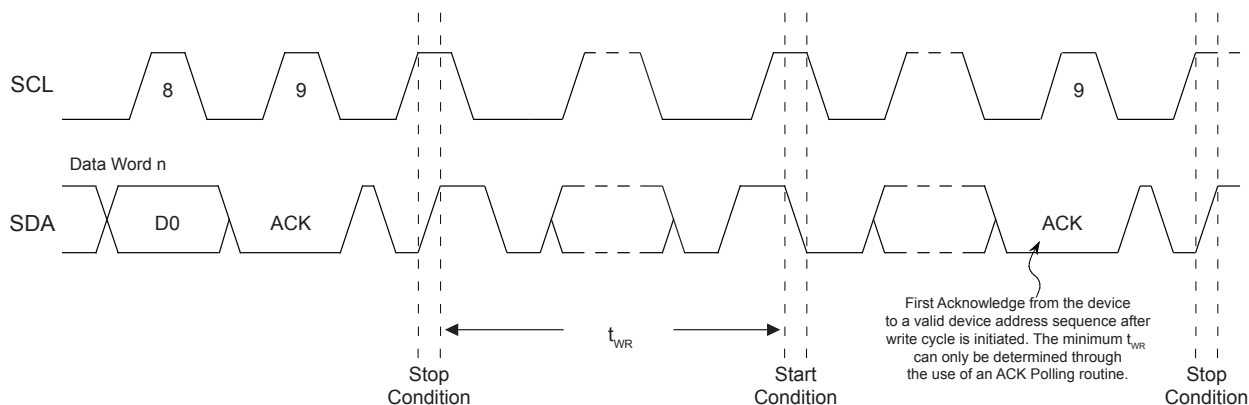
7.4 Write Cycle Timing

The length of the self-timed write cycle (t_{WR}) is defined as the amount of time from the Stop condition that begins the internal write cycle to the Start condition of the first device address byte sent to the AT24C01C/AT24C02C that it subsequently responds to with an ACK. [Figure 7-4](#) has been included to

AT24C01C/AT24C02C**Write Operations**

show this measurement. During the internally self-timed write cycle, any attempts to read from or write to the memory array will not be processed.

Figure 7-4. Write Cycle Timing



7.5 Write Protection

The AT24C01C/AT24C02C utilizes a hardware data protection scheme that allows the user to write-protect the entire memory contents when the WP pin is at V_{CC} (or a valid V_{IH}). No write protection will be set if the WP pin is at GND or left floating.

Table 7-1. AT24C01C/AT24C02C Write-Protect Behavior

| WP Pin Voltage | Part of the Array Protected |
|----------------|-------------------------------------|
| V_{CC} | Full Array |
| GND | None — Write Protection Not Enabled |

The status of the WP pin is sampled at the Stop condition for every byte write or page write operation prior to the start of an internally self-timed write cycle. Changing the WP pin state after the Stop condition has been sent will not alter or interrupt the execution of the write cycle.

If an attempt is made to write to the device while the WP pin has been asserted, the device will acknowledge the device address, word address and data bytes, but no write cycle will occur when the Stop condition is issued. The device will immediately be ready to accept a new read or write command.

AT24C01C/AT24C02C

Read Operations

8. Read Operations

Read operations are initiated the same way as write operations with the exception that the Read/Write Select bit in the device address byte must be a logic '1'. There are three read operations:

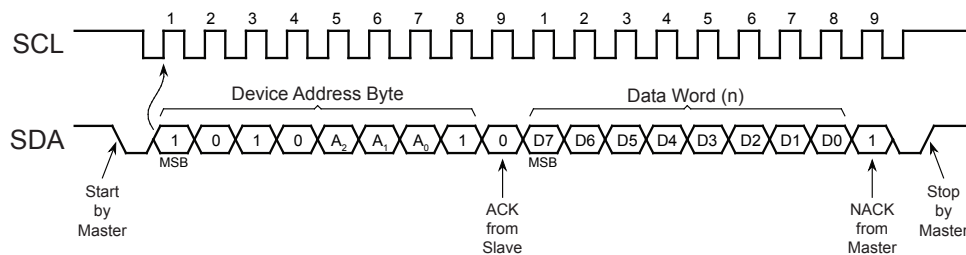
- Current Address Read
- Random Address Read
- Sequential Read

8.1 Current Address Read

The internal data word address counter maintains the last address accessed during the last read or write operation, incremented by one. This address stays valid between operations as long as the V_{CC} is maintained to the part. The address roll-over during a read is from the last byte of the last page to the first byte of the first page of the memory.

A current address read operation will output data according to the location of the internal data word address counter. This is initiated with a Start condition, followed by a valid device address byte with the R/\overline{W} bit set to logic '1'. The device will ACK this sequence and the current address data word is serially clocked out on the SDA line. All types of read operations will be terminated if the bus master does not respond with an ACK (it NACKs) during the ninth clock cycle. After the NACK response, the master may send a Stop condition to complete the protocol, or it can send a Start condition to begin the next sequence.

Figure 8-1. Current Address Read



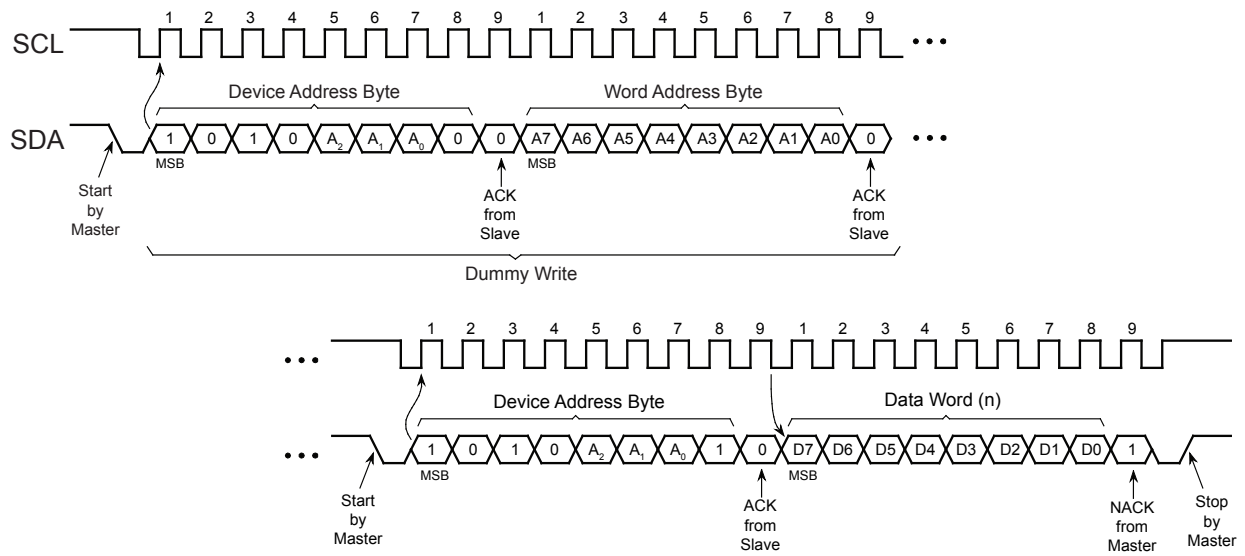
8.2 Random Read

A random read begins in the same way as a byte write operation does to load in a new data word address. This is known as a “dummy write” sequence; however, the data byte and the Stop condition of the byte write must be omitted to prevent the part from entering an internal write cycle. Once the device address and word address are clocked in and acknowledged by the EEPROM, the bus master must generate another Start condition. The bus master now initiates a current address read by sending a Start condition, followed by a valid device address byte with the R/\overline{W} bit set to logic '1'. The EEPROM will ACK the device address and serially clock out the data word on the SDA line. All types of read operations will be terminated if the bus master does not respond with an ACK (it NACKs) during the ninth clock cycle. After the NACK response, the master may send a Stop condition to complete the protocol, or it can send a Start condition to begin the next sequence.

AT24C01C/AT24C02C

Read Operations

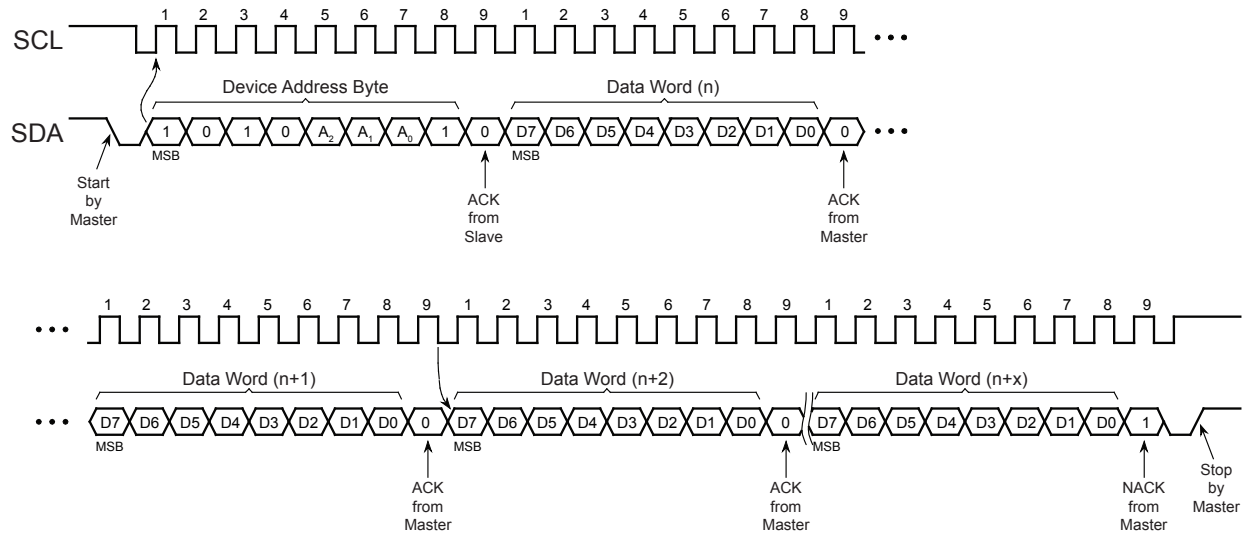
Figure 8-2. Random Read



8.3 Sequential Read

Sequential reads are initiated by either a current address read or a random read. After the bus master receives a data word, it responds with an Acknowledge. As long as the EEPROM receives an ACK, it will continue to increment the word address and serially clock out sequential data words. When the maximum memory address is reached, the data word address will roll-over and the sequential read will continue from the beginning of the memory array. All types of read operations will be terminated if the bus master does not respond with an ACK (it NACKs) during the ninth clock cycle. After the NACK response, the master may send a Stop condition to complete the protocol, or it can send a Start condition to begin the next sequence.

Figure 8-3. Sequential Read



AT24C01C/AT24C02C

Device Default Condition from Microchip

9. Device Default Condition from Microchip

The AT24C01C/AT24C02C is delivered with the EEPROM array set to logic '1', resulting in FFh data in all locations.

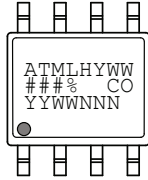
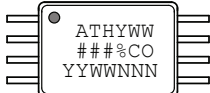
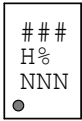
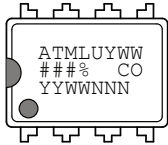
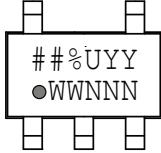
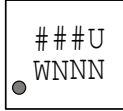
AT24C01C/AT24C02C

Packaging Information

10. Packaging Information

10.1 Package Marking Information

AT24C01C and AT24C02C: Package Marking Information

| | | |
|--|---|--|
| <p>8-lead SOIC</p>  | <p>8-lead TSSOP</p>  | <p>8-pad UDFN</p> <p>2.0 x 3.0 mm Body</p>  |
| <p>8-lead PDIP</p>  | <p>5-lead SOT23</p>  | <p>8-ball VFBGA</p> <p>1.5 x 2.0 mm Body</p>  |

Note 1: ● designates pin 1
 Note 2: Package drawings are not to scale
 Note 3: For SOT23 package with date codes before 7B, the bottom line (YMX) is marked on the bottom side and there is no Country of Assembly (@) mark on the top line.

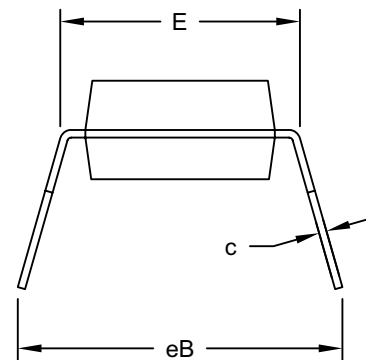
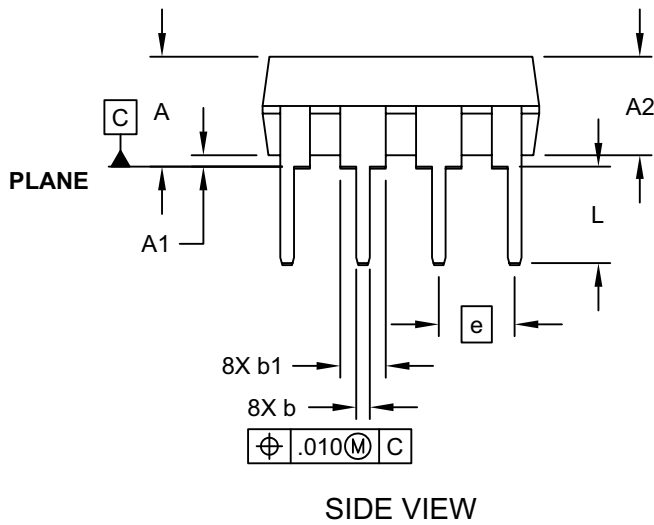
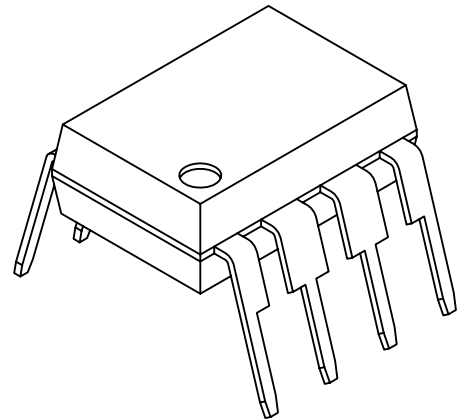
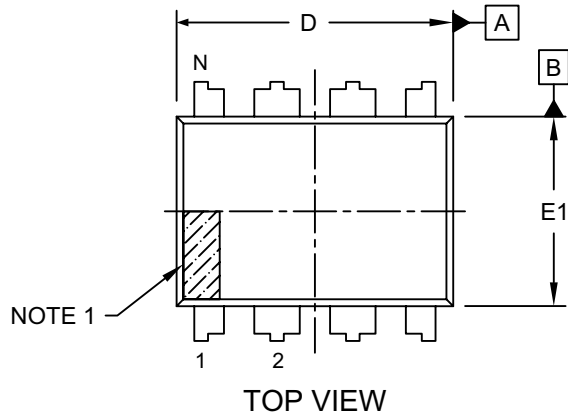
| | | | |
|---|--------------------|-----------------------------------|--|
| Catalog Number Truncation | | | |
| AT24C01C | | Truncation Code ###: 01C / ##: 1C | |
| AT24C02C | | Truncation Code ###: 02C / ##: 2C | |
| Date Codes | | | Voltages |
| YY = Year | Y = Year | WW = Work Week of Assembly | % = Minimum Voltage |
| 16: 2016 20: 2020 | 6: 2016 0: 2020 | 02: Week 2 | M: 1.7V min |
| 17: 2017 21: 2021 | 7: 2017 1: 2021 | 04: Week 4 | |
| 18: 2018 22: 2022 | 8: 2018 2: 2022 | ... | |
| 19: 2019 23: 2023 | 9: 2019 3: 2023 | 52: Week 52 | |
| Country of Origin | | Device Grade | Atmel Truncation |
| CO = Country of Origin | | H or U: Industrial Grade | AT: Atmel ATM: Atmel ATML: Atmel |
| Trace Code | | | |
| NNN = Alphanumeric Trace Code (2 Characters for Small Packages) | | | |

AT24C01C/AT24C02C

Packaging Information

8-Lead Plastic Dual In-Line (P) - 300 mil Body [PDIP]

Note: For the most current package drawings, please see the Microchip Packaging Specification located at <http://www.microchip.com/packaging>



Microchip Technology Drawing No. C04-018D Sheet 1 of 2

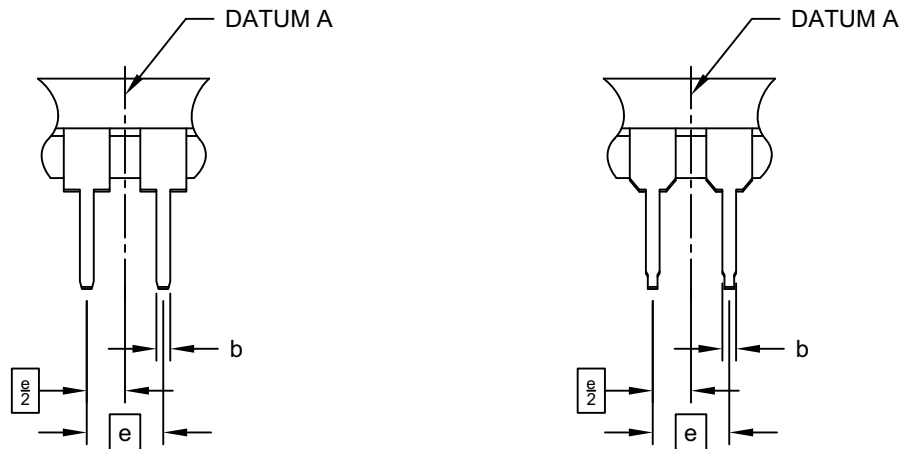
AT24C01C/AT24C02C

Packaging Information

8-Lead Plastic Dual In-Line (P) - 300 mil Body [PDIP]

Note: For the most current package drawings, please see the Microchip Packaging Specification located at <http://www.microchip.com/packaging>

ALTERNATE LEAD DESIGN (VENDOR DEPENDENT)



| Dimension Limits | Units | INCHES | | |
|----------------------------|-------|----------|------|------|
| | | MIN | NOM | MAX |
| Number of Pins | N | 8 | | |
| Pitch | e | .100 BSC | | |
| Top to Seating Plane | A | - | - | .210 |
| Molded Package Thickness | A2 | .115 | .130 | .195 |
| Base to Seating Plane | A1 | .015 | - | - |
| Shoulder to Shoulder Width | E | .290 | .310 | .325 |
| Molded Package Width | E1 | .240 | .250 | .280 |
| Overall Length | D | .348 | .365 | .400 |
| Tip to Seating Plane | L | .115 | .130 | .150 |
| Lead Thickness | c | .008 | .010 | .015 |
| Upper Lead Width | b1 | .040 | .060 | .070 |
| Lower Lead Width | b | .014 | .018 | .022 |
| Overall Row Spacing | § | eB | - | .430 |

Notes:

- Pin 1 visual index feature may vary, but must be located within the hatched area.
- § Significant Characteristic
- Dimensions D and E1 do not include mold flash or protrusions. Mold flash or protrusions shall not exceed .010" per side.
- Dimensioning and tolerancing per ASME Y14.5M

BSC: Basic Dimension. Theoretically exact value shown without tolerances.

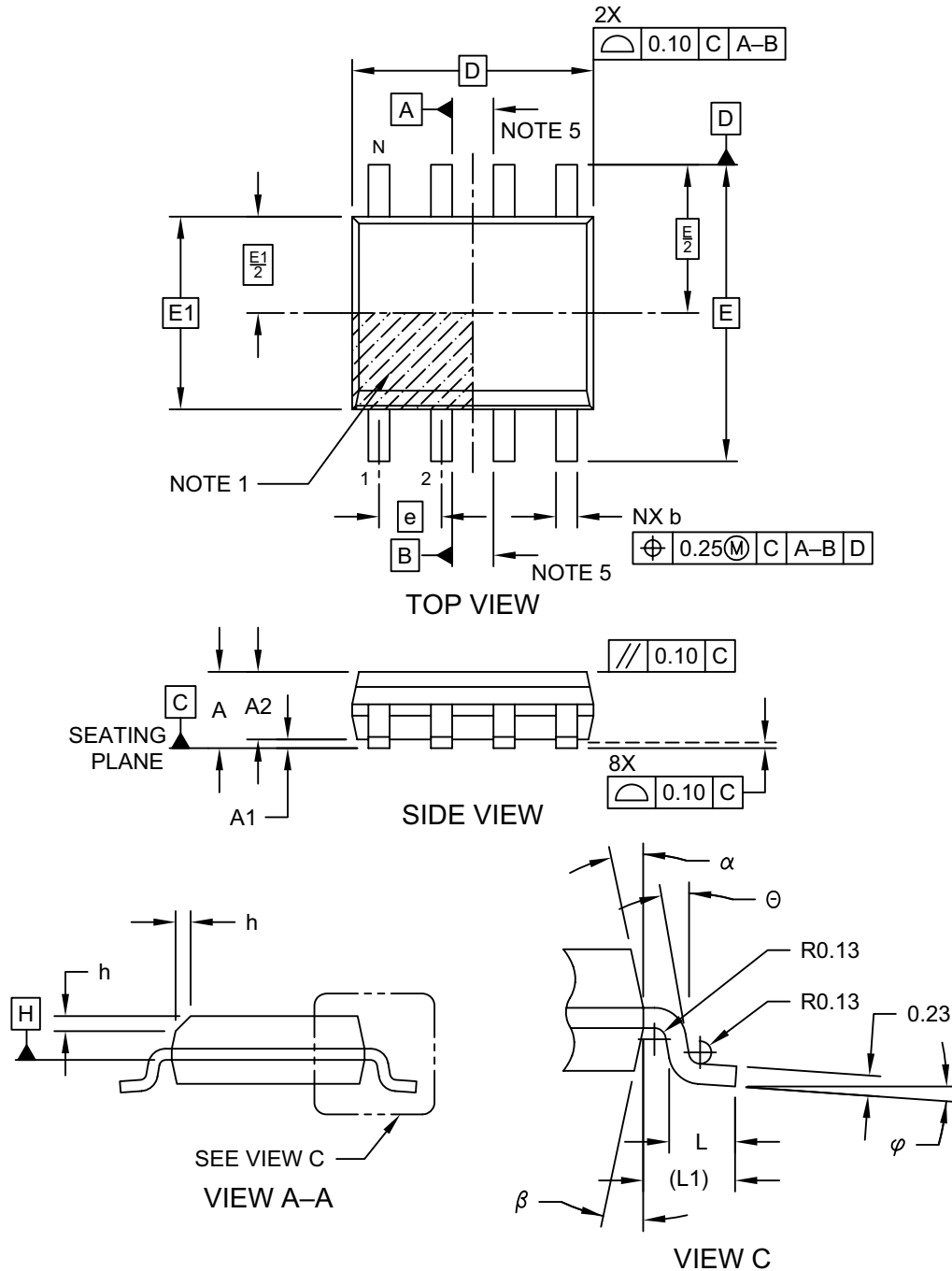
Microchip Technology Drawing No. C04-018D Sheet 2 of 2

AT24C01C/AT24C02C

Packaging Information

8-Lead Plastic Small Outline (SN) - Narrow, 3.90 mm (.150 In.) Body [SOIC]

Note: For the most current package drawings, please see the Microchip Packaging Specification located at <http://www.microchip.com/packaging>



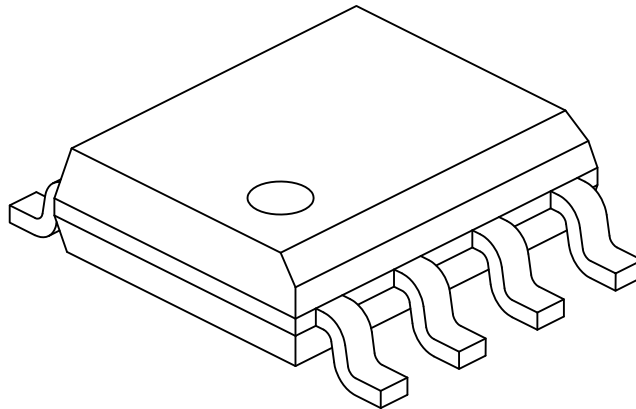
Microchip Technology Drawing No. C04-057-SN Rev D Sheet 1 of 2

AT24C01C/AT24C02C

Packaging Information

8-Lead Plastic Small Outline (SN) - Narrow, 3.90 mm (.150 In.) Body [SOIC]

Note: For the most current package drawings, please see the Microchip Packaging Specification located at <http://www.microchip.com/packaging>



| Dimension Limits | Units | MILLIMETERS | | |
|--------------------------|-----------|-------------|-----|------|
| | | MIN | NOM | MAX |
| Number of Pins | N | 8 | | |
| Pitch | e | 1.27 BSC | | |
| Overall Height | A | - | - | 1.75 |
| Molded Package Thickness | A2 | 1.25 | - | - |
| Standoff § | A1 | 0.10 | - | 0.25 |
| Overall Width | E | 6.00 BSC | | |
| Molded Package Width | E1 | 3.90 BSC | | |
| Overall Length | D | 4.90 BSC | | |
| Chamfer (Optional) | h | 0.25 | - | 0.50 |
| Foot Length | L | 0.40 | - | 1.27 |
| Footprint | L1 | 1.04 REF | | |
| Foot Angle | φ | 0° | - | 8° |
| Lead Thickness | c | 0.17 | - | 0.25 |
| Lead Width | b | 0.31 | - | 0.51 |
| Mold Draft Angle Top | α | 5° | - | 15° |
| Mold Draft Angle Bottom | β | 5° | - | 15° |

Notes:

- Pin 1 visual index feature may vary, but must be located within the hatched area.
- § Significant Characteristic
- Dimensions D and E1 do not include mold flash or protrusions. Mold flash or protrusions shall not exceed 0.15mm per side.
- Dimensioning and tolerancing per ASME Y14.5M
BSC: Basic Dimension. Theoretically exact value shown without tolerances.
REF: Reference Dimension, usually without tolerance, for information purposes only.
- Datums A & B to be determined at Datum H.

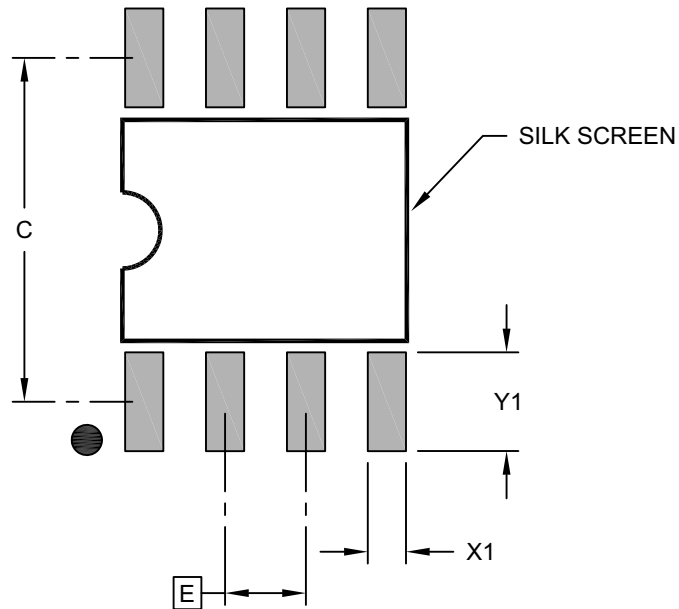
Microchip Technology Drawing No. C04-057-SN Rev D Sheet 2 of 2

AT24C01C/AT24C02C

Packaging Information

8-Lead Plastic Small Outline (SN) - Narrow, 3.90 mm Body [SOIC]

Note: For the most current package drawings, please see the Microchip Packaging Specification located at <http://www.microchip.com/packaging>



RECOMMENDED LAND PATTERN

| Dimension Limits | Units | MILLIMETERS | | |
|-------------------------|-------|-------------|------|------|
| | | MIN | NOM | MAX |
| Contact Pitch | E | 1.27 BSC | | |
| Contact Pad Spacing | C | | 5.40 | |
| Contact Pad Width (X8) | X1 | | | 0.60 |
| Contact Pad Length (X8) | Y1 | | | 1.55 |

Notes:

1. Dimensioning and tolerancing per ASME Y14.5M

BSC: Basic Dimension. Theoretically exact value shown without tolerances.

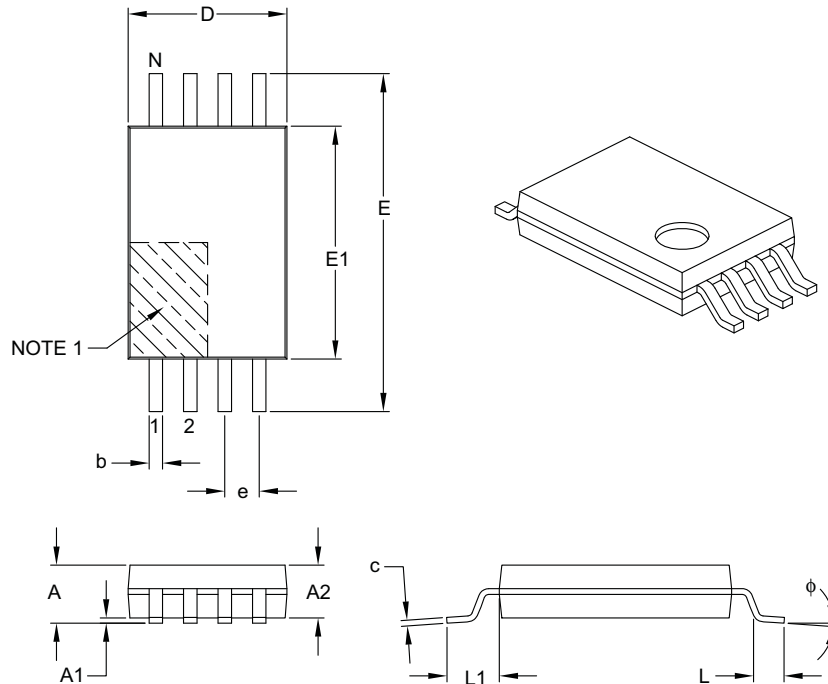
Microchip Technology Drawing C04-2057-SN Rev B

AT24C01C/AT24C02C

Packaging Information

8-Lead Plastic Thin Shrink Small Outline (ST) – 4.4 mm Body [TSSOP]

Note: For the most current package drawings, please see the Microchip Packaging Specification located at <http://www.microchip.com/packaging>



| Dimension Limits | Units | MILLIMETERS | | |
|--------------------------|--------|-------------|------|------|
| | | MIN | NOM | MAX |
| Number of Pins | N | 8 | | |
| Pitch | e | 0.65 BSC | | |
| Overall Height | A | – | – | 1.20 |
| Molded Package Thickness | A2 | 0.80 | 1.00 | 1.05 |
| Standoff | A1 | 0.05 | – | 0.15 |
| Overall Width | E | 6.40 BSC | | |
| Molded Package Width | E1 | 4.30 | 4.40 | 4.50 |
| Molded Package Length | D | 2.90 | 3.00 | 3.10 |
| Foot Length | L | 0.45 | 0.60 | 0.75 |
| Footprint | L1 | 1.00 REF | | |
| Foot Angle | ϕ | 0° | – | 8° |
| Lead Thickness | c | 0.09 | – | 0.20 |
| Lead Width | b | 0.19 | – | 0.30 |

Notes:

- Pin 1 visual index feature may vary, but must be located within the hatched area.
- Dimensions D and E1 do not include mold flash or protrusions. Mold flash or protrusions shall not exceed 0.15 mm per side.
- Dimensioning and tolerancing per ASME Y14.5M.

BSC: Basic Dimension. Theoretically exact value shown without tolerances.

REF: Reference Dimension, usually without tolerance, for information purposes only.

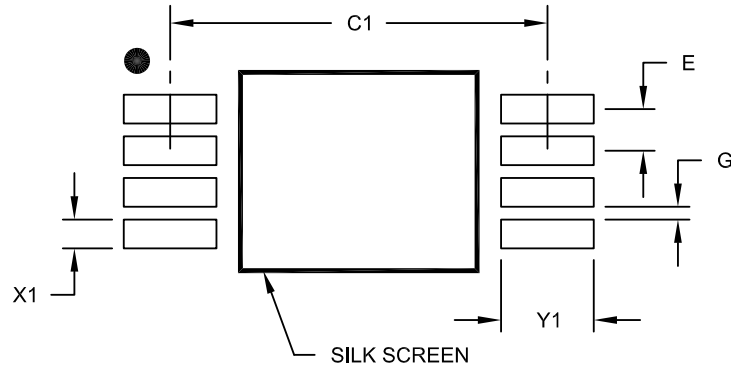
Microchip Technology Drawing C04-086B

AT24C01C/AT24C02C

Packaging Information

8-Lead Plastic Thin Shrink Small Outline (ST) - 4.4 mm Body [TSSOP]

Note: For the most current package drawings, please see the Microchip Packaging Specification located at <http://www.microchip.com/packaging>



RECOMMENDED LAND PATTERN

| Dimension Limits | Units | MILLIMETERS | | |
|-------------------------|-------|-------------|------|------|
| | | MIN | NOM | MAX |
| Contact Pitch | E | 0.65 BSC | | |
| Contact Pad Spacing | C1 | | 5.90 | |
| Contact Pad Width (X8) | X1 | | | 0.45 |
| Contact Pad Length (X8) | Y1 | | | 1.45 |
| Distance Between Pads | G | 0.20 | | |

Notes:

1. Dimensioning and tolerancing per ASME Y14.5M

BSC: Basic Dimension. Theoretically exact value shown without tolerances.

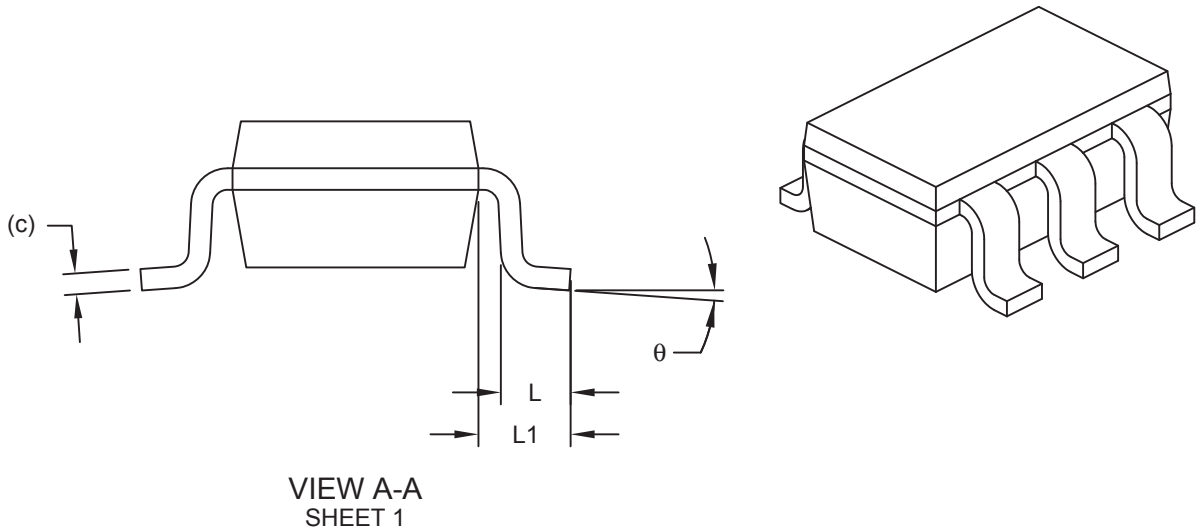
Microchip Technology Drawing No. C04-2086A

AT24C01C/AT24C02C

Packaging Information

5-Lead Plastic Thin Small Outline Transistor (NMB) [TSOT] Atmel Legacy Global Package Code TSZ

Note: For the most current package drawings, please see the Microchip Packaging Specification located at <http://www.microchip.com/packaging>



| Dimension Limits | Units | MILLIMETERS | | |
|--------------------------|----------|-------------|------|------|
| | | MIN | NOM | MAX |
| Number of Leads | N | 5 | | |
| Pitch | e | 0.95 BSC | | |
| Outside lead pitch | e1 | 1.90 BSC | | |
| Overall Height | A | - | - | 1.10 |
| Molded Package Thickness | A2 | 0.70 | 0.90 | 1.00 |
| Standoff | A1 | - | - | 0.10 |
| Overall Width | E | 2.80 BSC | | |
| Molded Package Width | E1 | 1.60 BSC | | |
| Overall Length | D | 2.90 BSC | | |
| Foot Length | L | 0.30 | - | 0.60 |
| Footprint | L1 | 0.60 REF | | |
| Foot Angle | θ | 0° | - | 8° |
| Lead Thickness | c | 0.08 | - | 0.20 |
| Lead Width | b | 0.30 | - | 0.50 |

Notes:

- Dimensions D and E1 do not include mold flash or protrusions. Mold flash or protrusions shall not exceed 0.25mm per side.
- Dimensioning and tolerancing per ASME Y14.5M
BSC: Basic Dimension. Theoretically exact value shown without tolerances.
REF: Reference Dimension, usually without tolerance, for information purposes only.

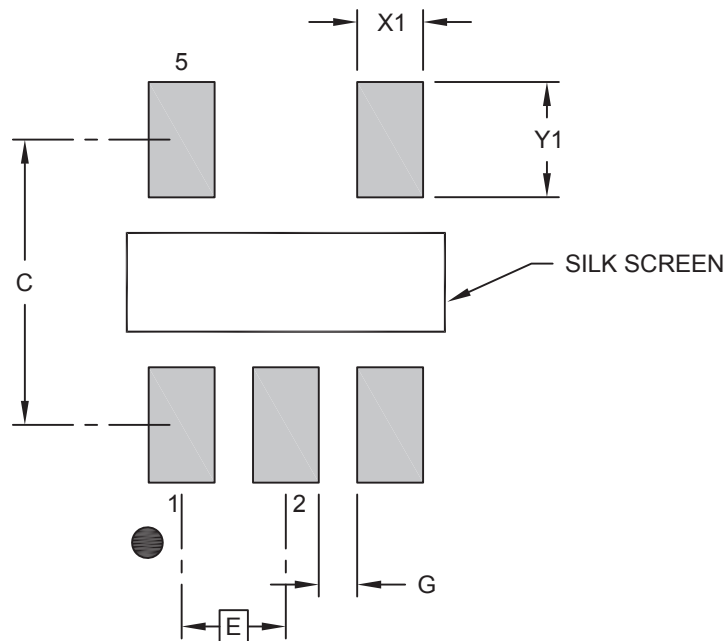
Microchip Technology Drawing C04-21344 Rev B Sheet 2 of 2

AT24C01C/AT24C02C

Packaging Information

5-Lead Plastic Thin Small Outline Transistor (NMB) [TSOT] Atmel Legacy Global Package Code TSZ

Note: For the most current package drawings, please see the Microchip Packaging Specification located at <http://www.microchip.com/packaging>



RECOMMENDED LAND PATTERN

| Dimension Limits | Units | MILLIMETERS | | |
|--------------------------------|-------|-------------|------|------|
| | | MIN | NOM | MAX |
| Contact Pitch | E | 0.95 BSC | | |
| Contact Pad Spacing | C | | 2.60 | |
| Contact Pad Width (X5) | X1 | | | 0.60 |
| Contact Pad Length (X5) | Y1 | | | 1.05 |
| Contact Pad to Center Pad (X2) | G | 0.20 | | |

Notes:

- Dimensioning and tolerancing per ASME Y14.5M
BSC: Basic Dimension. Theoretically exact value shown without tolerances.
- For best soldering results, thermal vias, if used, should be filled or tented to avoid solder loss during reflow process

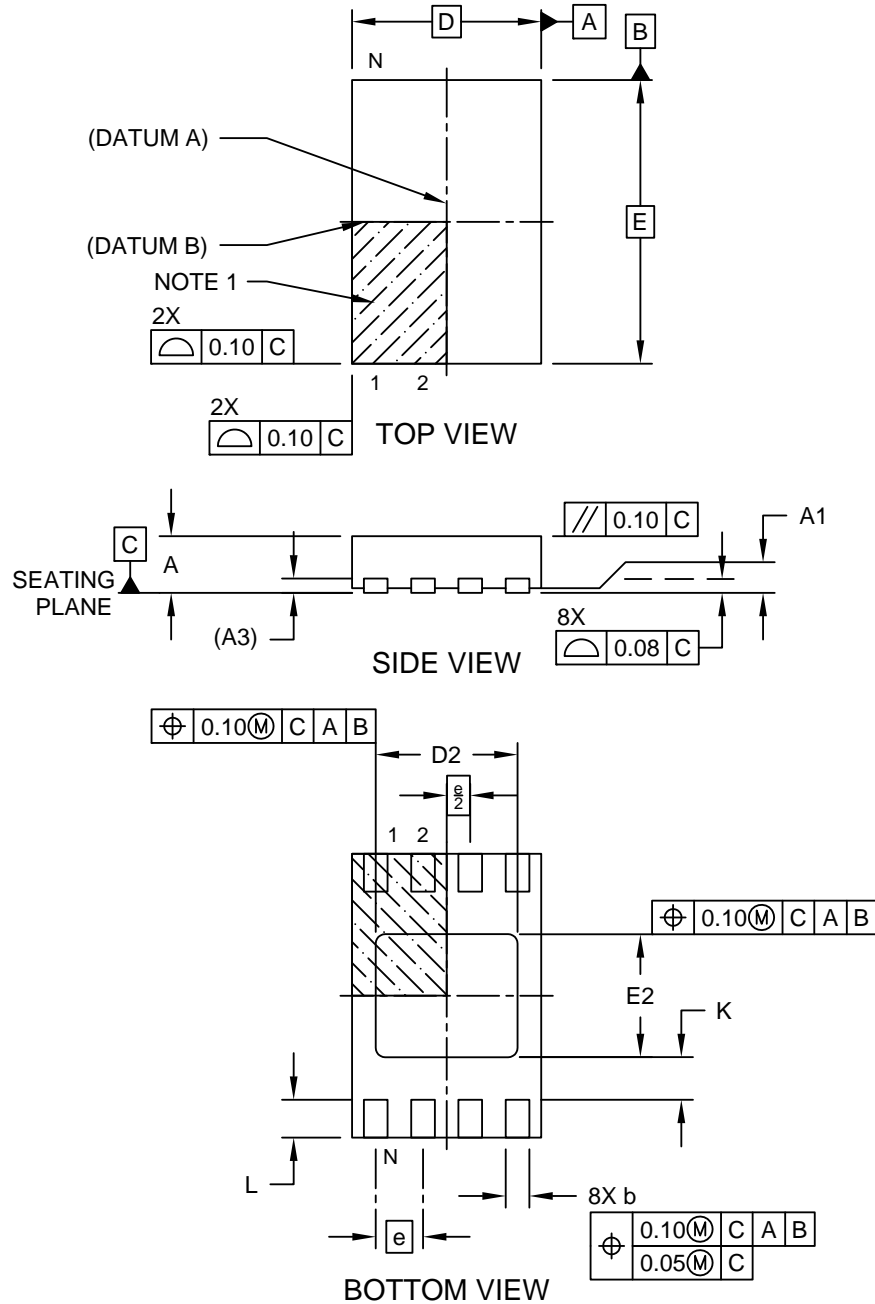
Microchip Technology Drawing C04-23344 Rev B

AT24C01C/AT24C02C

Packaging Information

8-Lead Ultra Thin Plastic Dual Flat, No Lead Package (Q4B) - 2x3 mm Body [UDFN] Atmel Legacy YNZ Package

Note: For the most current package drawings, please see the Microchip Packaging Specification located at <http://www.microchip.com/packaging>



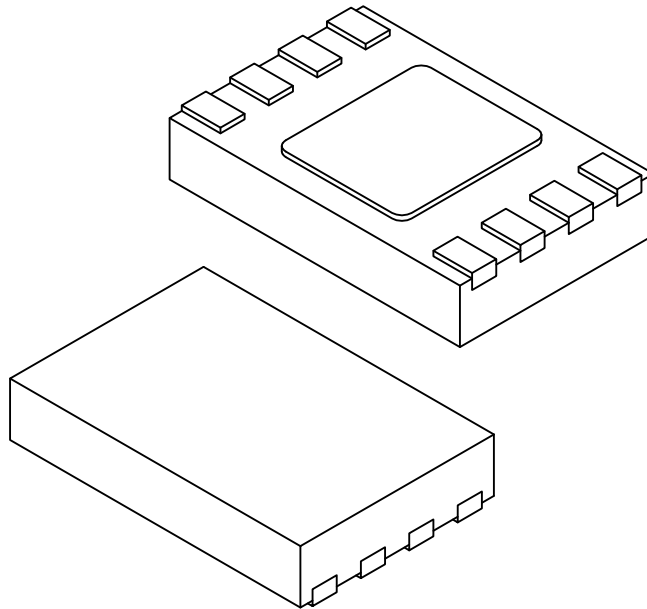
Microchip Technology Drawing C04-21355-Q4B Rev A Sheet 1 of 2

AT24C01C/AT24C02C

Packaging Information

8-Lead Ultra Thin Plastic Dual Flat, No Lead Package (Q4B) - 2x3 mm Body [UDFN] Atmel Legacy YNZ Package

Note: For the most current package drawings, please see the Microchip Packaging Specification located at <http://www.microchip.com/packaging>



| Dimension Limits | Units | MILLIMETERS | | |
|-------------------------|-------|-------------|------|------|
| | | MIN | NOM | MAX |
| Number of Terminals | N | 8 | | |
| Pitch | e | 0.50 BSC | | |
| Overall Height | A | 0.50 | 0.55 | 0.60 |
| Standoff | A1 | 0.00 | 0.02 | 0.05 |
| Terminal Thickness | A3 | 0.152 REF | | |
| Overall Length | D | 2.00 BSC | | |
| Exposed Pad Length | D2 | 1.40 | 1.50 | 1.60 |
| Overall Width | E | 3.00 BSC | | |
| Exposed Pad Width | E2 | 1.20 | 1.30 | 1.40 |
| Terminal Width | b | 0.18 | 0.25 | 0.30 |
| Terminal Length | L | 0.35 | 0.40 | 0.45 |
| Terminal-to-Exposed-Pad | K | 0.20 | - | - |

Notes:

- Pin 1 visual index feature may vary, but must be located within the hatched area.
- Package is saw singulated
- Dimensioning and tolerancing per ASME Y14.5M

BSC: Basic Dimension. Theoretically exact value shown without tolerances.

REF: Reference Dimension, usually without tolerance, for information purposes only.

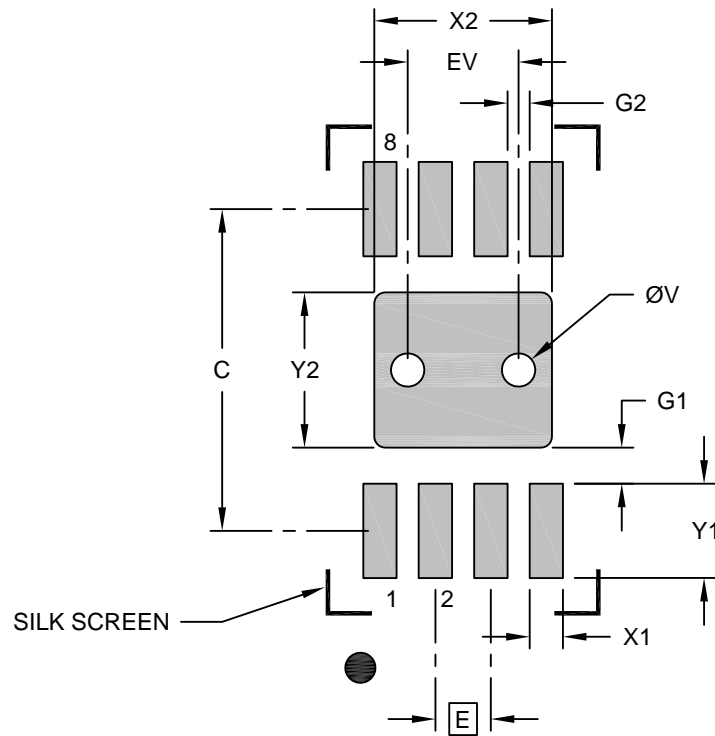
Microchip Technology Drawing C04-21355-Q4B Rev A Sheet 2 of 2

AT24C01C/AT24C02C

Packaging Information

8-Lead Ultra Thin Plastic Dual Flat, No Lead Package (Q4B) - 2x3 mm Body [UDFN] Atmel Legacy YNZ Package

Note: For the most current package drawings, please see the Microchip Packaging Specification located at <http://www.microchip.com/packaging>



RECOMMENDED LAND PATTERN

| Dimension Limits | Units | MILLIMETERS | | |
|---------------------------------|-------|-------------|------|------|
| | | MIN | NOM | MAX |
| Contact Pitch | E | 0.50 BSC | | |
| Optional Center Pad Width | X2 | | | 1.60 |
| Optional Center Pad Length | Y2 | | | 1.40 |
| Contact Pad Spacing | C | | 2.90 | |
| Contact Pad Width (X8) | X1 | | | 0.30 |
| Contact Pad Length (X8) | Y1 | | | 0.85 |
| Contact Pad to Center Pad (X8) | G1 | 0.20 | | |
| Contact Pad to Contact Pad (X6) | G2 | 0.33 | | |
| Thermal Via Diameter | V | | 0.30 | |
| Thermal Via Pitch | EV | | 1.00 | |

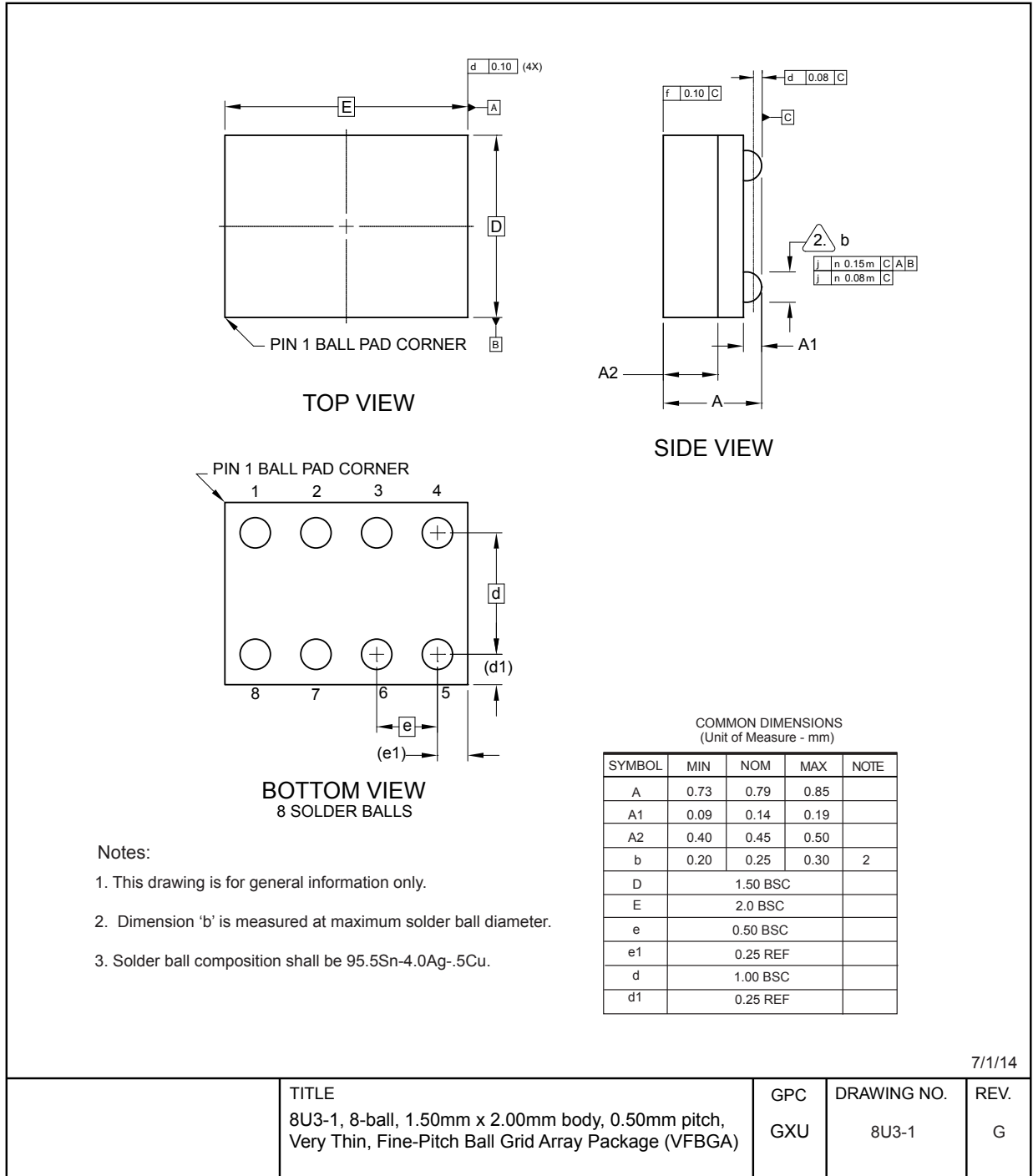
Notes:

- Dimensioning and tolerancing per ASME Y14.5M
BSC: Basic Dimension. Theoretically exact value shown without tolerances.
- For best soldering results, thermal vias, if used, should be filled or tented to avoid solder loss during reflow process

Microchip Technology Drawing C04-21355-Q4B Rev A

AT24C01C/AT24C02C

Packaging Information



7/1/14

| | | | | |
|--|--|-----|-------------|------|
| | TITLE | GPC | DRAWING NO. | REV. |
| | 8U3-1, 8-ball, 1.50mm x 2.00mm body, 0.50mm pitch, Very Thin, Fine-Pitch Ball Grid Array Package (VFBGA) | GXU | 8U3-1 | G |

Note: For the most current package drawings, please see the Microchip Packaging Specification located at <http://www.microchip.com/packaging>.

11. Revision History

Revision A (November 2018)

Updated to the Microchip template. Microchip DS20006111 replaces Atmel document 8700. Corrected t_{LOW} typo from 400 ns to 500 ns. Corrected t_{AA} typo from 550 ns to 450 ns. Updated Part Marking Information. Updated the "Software Reset" section. Added ESD rating. Removed lead finish designation. Updated trace code format in package markings. Added a figure for "System Configuration Using Two-Wire Serial EEPROMs". Updated "Block Diagram" figure. Added POR recommendations section. Updated section content throughout for clarification. Updated the 8U3-1 VFBGA package drawing. Updated the PDIP, SOIC, TSSOP, SOT23 and UDFN package drawings to Microchip format.

Atmel Document 8700 Revision H (December 2016)

- Part marking SOT23:
 - Moved backside mark (YMXX) to front side line2.
 - Added @ = Country of Assembly

Atmel Document 8700 Revision G (January 2015)

- Add the UDFN extended quantity option.
- Update part markings, package drawings, ordering information, template, and reorganize.

Atmel Document 8700 Revision F (June 2012)

- Corrected ordering codes:
 - AT24C01C-WWU11, Die Sale to AT24C01C-WWU11M, Wafer Sale.
 - AT24C02C-WWU11, Die Sale to AT24C02C-WWU11M, Wafer Sale.
- Removed WDT from ordering code detail.
- Updated Atmel logos and disclaimer page.

Atmel Document 8700 Revision E (May 2012)

- Updated data sheet template.
- Added AT24C01C to document.
- Electrical performance improvements:
 - Reduced all ISB from legacy values.
 - Increased 1MHz frequency range to include 2.5V operation.
- Updated package drawings to latest versions (where applicable) and selected waveforms.

Atmel Document 8700 Revision D (August 2010)

Changed AT24C02C-XHM Part Marking from C02CM@ to 02CM @.

Atmel Document 8700 Revision C (July 2010)

- Ordering Information:
 - Changed Atmel AT24C02C-TSUM-T to Atmel AT24C02C-STUM-T.
 - Changed Atmel AT24C02CY6-MAHM-T to Atmel AT24C02C-MAHM-T.
 - Changed Atmel AT24C02CU3-CUM-T to Atmel AT24C02C-CUM-T.
- Catalog numbering scheme, changed TS = SOT23 to ST = SOT23.

AT24C01C/AT24C02C

Revision History

- Part marking SOT23:
 - Changed 2CMWU to 2CMBU.
 - Changed W = Write Protection Feature to B = Write Protection.
- Part marking PDIP and SOIC: Added @ = Country of Assembly.
- Part marking TSSOP: Replaced and removed bottom mark.
- Part marking UDFN: Added HM@.
- Removed preliminary status.
- Changed $t_{I\text{Max}}$ 40 to 50 in Table AC Characteristics.

Atmel Document 8700 Revision B (February 2010)

Corrected catalog numbering scheme and ordering information.

Atmel Document 8700 Revision A (December 2009)

Initial release of this document.

The Microchip Web Site

Microchip provides online support via our web site at <http://www.microchip.com/>. This web site is used as a means to make files and information easily available to customers. Accessible by using your favorite Internet browser, the web site contains the following information:

- **Product Support** – Data sheets and errata, application notes and sample programs, design resources, user's guides and hardware support documents, latest software releases and archived software
- **General Technical Support** – Frequently Asked Questions (FAQ), technical support requests, online discussion groups, Microchip consultant program member listing
- **Business of Microchip** – Product selector and ordering guides, latest Microchip press releases, listing of seminars and events, listings of Microchip sales offices, distributors and factory representatives

Customer Change Notification Service

Microchip's customer notification service helps keep customers current on Microchip products. Subscribers will receive e-mail notification whenever there are changes, updates, revisions or errata related to a specified product family or development tool of interest.

To register, access the Microchip web site at <http://www.microchip.com/>. Under "Support", click on "Customer Change Notification" and follow the registration instructions.

Customer Support

Users of Microchip products can receive assistance through several channels:

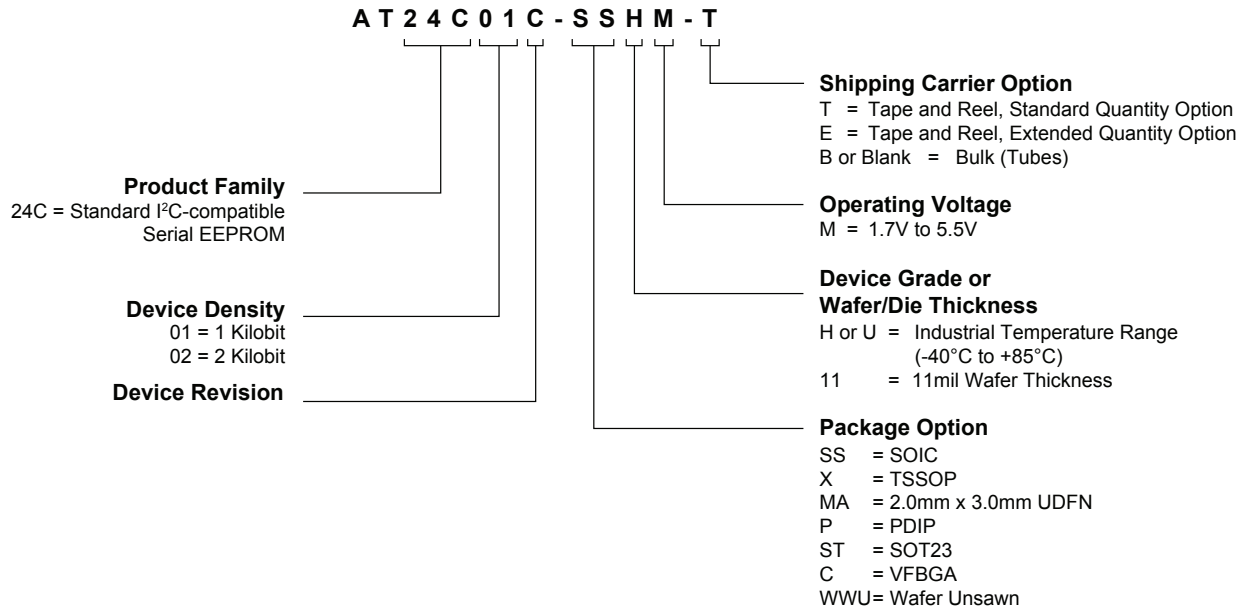
- Distributor or Representative
- Local Sales Office
- Field Application Engineer (FAE)
- Technical Support

Customers should contact their distributor, representative or Field Application Engineer (FAE) for support. Local sales offices are also available to help customers. A listing of sales offices and locations is included in the back of this document.

Technical support is available through the web site at: <http://www.microchip.com/support>

AT24C01C/AT24C02C**Product Identification System**

To order or obtain information, e.g., on pricing or delivery, refer to the factory or the listed sales office.

**Examples**

| Device | Package | Package Drawing Code | Package Option | Shipping Carrier Option | Device Grade |
|-----------------|---------|----------------------|----------------|-----------------------------|--|
| AT24C01C-PUM | PDIP | P | P | Bulk (Tubes) | Industrial Temperature (-40°C to 85°C) |
| AT24C01C-SSHM-B | SOIC | SN | SS | Bulk (Tubes) | |
| AT24C01C-SSHM-T | SOIC | SN | SS | Tape and Reel | |
| AT24C02C-SSHM-T | SOIC | SN | SS | Tape and Reel | |
| AT24C01C-XHM-B | TSSOP | ST | X | Bulk (Tubes) | |
| AT24C02C-XHM-T | TSSOP | ST | X | Tape and Reel | |
| AT24C01C-MAHM-T | UDFN | Q4B | MA | Tape and Reel | |
| AT24C01C-MAHM-E | UDFN | Q4B | MA | Extended Qty. Tape and Reel | |
| AT24C02C-MAHM-E | UDFN | Q4B | MA | Extended Qty. Tape and Reel | |
| AT24C02C-STUM-T | SOT23 | NMB | ST | Tape and Reel | |
| AT24C02C-CUM-T | VFBGA | 8U3-1 | C | Tape and Reel | |

Microchip Devices Code Protection Feature

Note the following details of the code protection feature on Microchip devices:

- Microchip products meet the specification contained in their particular Microchip Data Sheet.
- Microchip believes that its family of products is one of the most secure families of its kind on the market today, when used in the intended manner and under normal conditions.
- There are dishonest and possibly illegal methods used to breach the code protection feature. All of these methods, to our knowledge, require using the Microchip products in a manner outside the operating specifications contained in Microchip's Data Sheets. Most likely, the person doing so is engaged in theft of intellectual property.
- Microchip is willing to work with the customer who is concerned about the integrity of their code.
- Neither Microchip nor any other semiconductor manufacturer can guarantee the security of their code. Code protection does not mean that we are guaranteeing the product as "unbreakable."

Code protection is constantly evolving. We at Microchip are committed to continuously improving the code protection features of our products. Attempts to break Microchip's code protection feature may be a violation of the Digital Millennium Copyright Act. If such acts allow unauthorized access to your software or other copyrighted work, you may have a right to sue for relief under that Act.

Legal Notice

Information contained in this publication regarding device applications and the like is provided only for your convenience and may be superseded by updates. It is your responsibility to ensure that your application meets with your specifications. MICROCHIP MAKES NO REPRESENTATIONS OR WARRANTIES OF ANY KIND WHETHER EXPRESS OR IMPLIED, WRITTEN OR ORAL, STATUTORY OR OTHERWISE, RELATED TO THE INFORMATION, INCLUDING BUT NOT LIMITED TO ITS CONDITION, QUALITY, PERFORMANCE, MERCHANTABILITY OR FITNESS FOR PURPOSE. Microchip disclaims all liability arising from this information and its use. Use of Microchip devices in life support and/or safety applications is entirely at the buyer's risk, and the buyer agrees to defend, indemnify and hold harmless Microchip from any and all damages, claims, suits, or expenses resulting from such use. No licenses are conveyed, implicitly or otherwise, under any Microchip intellectual property rights unless otherwise stated.

Trademarks

The Microchip name and logo, the Microchip logo, AnyRate, AVR, AVR logo, AVR Freaks, BitCloud, chipKIT, chipKIT logo, CryptoMemory, CryptoRF, dsPIC, FlashFlex, flexPWR, Helder, JukeBlox, KeeLoq, Klear, LANCheck, LINK MD, maXStylus, maXTouch, MediaLB, megaAVR, MOST, MOST logo, MPLAB, OptoLyzer, PIC, picoPower, PICSTART, PIC32 logo, Prochip Designer, QTouch, SAM-BA, SpyNIC, SST, SST Logo, SuperFlash, tinyAVR, UNI/O, and XMEGA are registered trademarks of Microchip Technology Incorporated in the U.S.A. and other countries.

ClockWorks, The Embedded Control Solutions Company, EtherSynch, Hyper Speed Control, HyperLight Load, IntelliMOS, mTouch, Precision Edge, and Quiet-Wire are registered trademarks of Microchip Technology Incorporated in the U.S.A.

Adjacent Key Suppression, AKS, Analog-for-the-Digital Age, Any Capacitor, AnyIn, AnyOut, BodyCom, CodeGuard, CryptoAuthentication, CryptoAutomotive, CryptoCompanion, CryptoController, dsPICDEM, dsPICDEM.net, Dynamic Average Matching, DAM, ECAN, EtherGREEN, In-Circuit Serial Programming, ICSP, INICnet, Inter-Chip Connectivity, JitterBlocker, KlearNet, KlearNet logo, memBrain, Mindi, MiWi,

motorBench, MPASM, MPF, MPLAB Certified logo, MPLIB, MPLINK, MultiTRAK, NetDetach, Omniscient Code Generation, PICDEM, PICDEM.net, PICKit, PICtail, PowerSmart, PureSilicon, QMatrix, REAL ICE, Ripple Blocker, SAM-ICE, Serial Quad I/O, SMART-I.S., SQI, SuperSwitcher, SuperSwitcher II, Total Endurance, TSHARC, USBCheck, VariSense, ViewSpan, WiperLock, Wireless DNA, and ZENA are trademarks of Microchip Technology Incorporated in the U.S.A. and other countries.

SQTP is a service mark of Microchip Technology Incorporated in the U.S.A.

Silicon Storage Technology is a registered trademark of Microchip Technology Inc. in other countries.

GestIC is a registered trademark of Microchip Technology Germany II GmbH & Co. KG, a subsidiary of Microchip Technology Inc., in other countries.

All other trademarks mentioned herein are property of their respective companies.

© 2018, Microchip Technology Incorporated, Printed in the U.S.A., All Rights Reserved.

ISBN: 978-1-5224-3858-8

Quality Management System Certified by DNV

ISO/TS 16949

Microchip received ISO/TS-16949:2009 certification for its worldwide headquarters, design and wafer fabrication facilities in Chandler and Tempe, Arizona; Gresham, Oregon and design centers in California and India. The Company's quality system processes and procedures are for its PIC[®] MCUs and dsPIC[®] DSCs, KEELOQ[®] code hopping devices, Serial EEPROMs, microperipherals, nonvolatile memory and analog products. In addition, Microchip's quality system for the design and manufacture of development systems is ISO 9001:2000 certified.



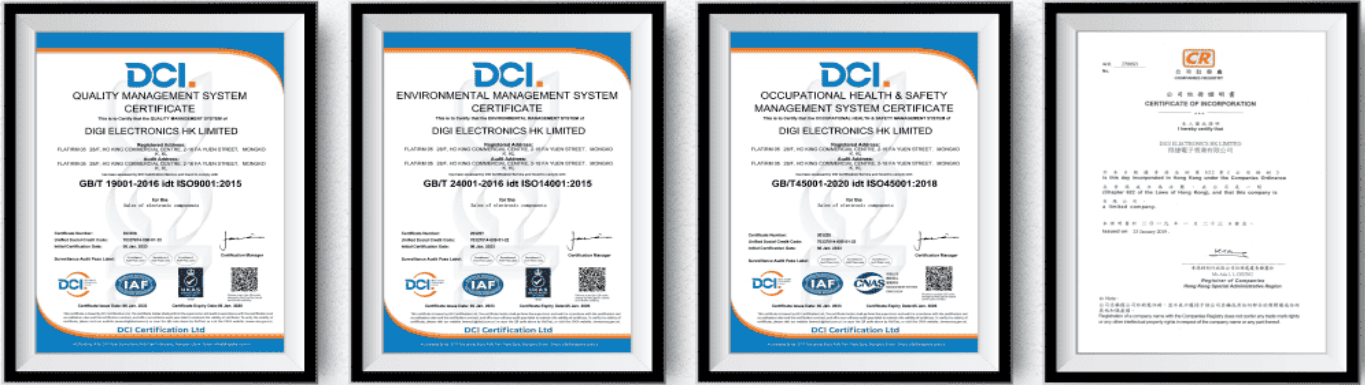
Worldwide Sales and Service

| AMERICAS | ASIA/PACIFIC | ASIA/PACIFIC | EUROPE |
|--|--|---|--|
| Corporate Office 2355 West Chandler Blvd. Chandler, AZ 85224-6199 Tel: 480-792-7200 Fax: 480-792-7277 Technical Support: http://www.microchip.com/support Web Address: www.microchip.com | Australia - Sydney Tel: 61-2-9868-6733 China - Beijing Tel: 86-10-8569-7000 China - Chengdu Tel: 86-28-8665-5511 China - Chongqing Tel: 86-23-8980-9588 China - Dongguan Tel: 86-769-8702-9880 China - Guangzhou Tel: 86-20-8755-8029 China - Hangzhou Tel: 86-571-8792-8115 China - Hong Kong SAR Tel: 852-2943-5100 China - Nanjing Tel: 86-25-8473-2460 China - Qingdao Tel: 86-532-8502-7355 China - Shanghai Tel: 86-21-3326-8000 China - Shenyang Tel: 86-24-2334-2829 China - Shenzhen Tel: 86-755-8864-2200 China - Suzhou Tel: 86-186-6233-1526 China - Wuhan Tel: 86-27-5980-5300 China - Xian Tel: 86-29-8833-7252 China - Xiamen Tel: 86-592-2388138 China - Zhuhai Tel: 86-756-3210040 | India - Bangalore Tel: 91-80-3090-4444 India - New Delhi Tel: 91-11-4160-8631 India - Pune Tel: 91-20-4121-0141 Japan - Osaka Tel: 81-6-6152-7160 Japan - Tokyo Tel: 81-3-6880-3770 Korea - Daegu Tel: 82-53-744-4301 Korea - Seoul Tel: 82-2-554-7200 Malaysia - Kuala Lumpur Tel: 60-3-7651-7906 Malaysia - Penang Tel: 60-4-227-8870 Philippines - Manila Tel: 63-2-634-9065 Singapore Tel: 65-6334-8870 Taiwan - Hsin Chu Tel: 886-3-577-8366 Taiwan - Kaohsiung Tel: 886-7-213-7830 Taiwan - Taipei Tel: 886-2-2508-8600 Thailand - Bangkok Tel: 66-2-694-1351 Vietnam - Ho Chi Minh Tel: 84-28-5448-2100 | Austria - Wels Tel: 43-7242-2244-39 Fax: 43-7242-2244-393 Denmark - Copenhagen Tel: 45-4450-2828 Fax: 45-4485-2829 Finland - Espoo Tel: 358-9-4520-820 France - Paris Tel: 33-1-69-53-63-20 Fax: 33-1-69-30-90-79 Germany - Garching Tel: 49-8931-9700 Germany - Haan Tel: 49-2129-3766400 Germany - Heilbronn Tel: 49-7131-67-3636 Germany - Karlsruhe Tel: 49-721-625370 Germany - Munich Tel: 49-89-627-144-0 Fax: 49-89-627-144-44 Germany - Rosenheim Tel: 49-8031-354-560 Israel - Ra'anana Tel: 972-9-744-7705 Italy - Milan Tel: 39-0331-742611 Fax: 39-0331-466781 Italy - Padova Tel: 39-049-7625286 Netherlands - Druenen Tel: 31-416-690399 Fax: 31-416-690340 Norway - Trondheim Tel: 47-72884388 Poland - Warsaw Tel: 48-22-3325737 Romania - Bucharest Tel: 40-21-407-87-50 Spain - Madrid Tel: 34-91-708-08-90 Fax: 34-91-708-08-91 Sweden - Gothenberg Tel: 46-31-704-60-40 Sweden - Stockholm Tel: 46-8-5090-4654 UK - Wokingham Tel: 44-118-921-5800 Fax: 44-118-921-5820 |
| Atlanta Duluth, GA Tel: 678-957-9614 Fax: 678-957-1455 Austin, TX Tel: 512-257-3370 Boston Westborough, MA Tel: 774-760-0087 Fax: 774-760-0088 Chicago Itasca, IL Tel: 630-285-0071 Fax: 630-285-0075 Dallas Addison, TX Tel: 972-818-7423 Fax: 972-818-2924 Detroit Novi, MI Tel: 248-848-4000 Houston, TX Tel: 281-894-5983 Indianapolis Noblesville, IN Tel: 317-773-8323 Fax: 317-773-5453 Tel: 317-536-2380 Los Angeles Mission Viejo, CA Tel: 949-462-9523 Fax: 949-462-9608 Tel: 951-273-7800 Raleigh, NC Tel: 919-844-7510 New York, NY Tel: 631-435-6000 San Jose, CA Tel: 408-735-9110 Tel: 408-436-4270 Canada - Toronto Tel: 905-695-1980 Fax: 905-695-2078 | | | |

OUR CERTIFICATE

DiGi provide top-quality products and perfect service for customer worldwide through standardization, technological innovation and continuous improvement. DiGi through third-party certification, we stricy control the quality of products and services. Welcome your RFQ to

Email: Info@DiGi-Electronics.com



Tel: +00 852-30501935

RFQ Email: Info@DiGi-Electronics.com

DiGi is a global authorized distributor of electronic components.