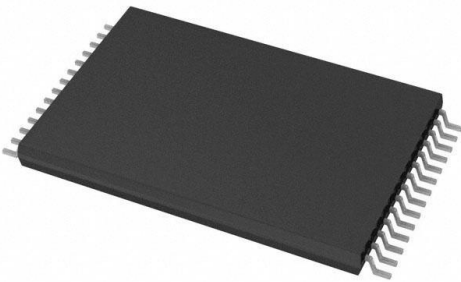


# AT27BV512-70TU Datasheet

[www.digi-electronics.com](http://www.digi-electronics.com)



AT27BV512-70TU

<https://www.DiGi-Electronics.com>

|                              |   |
|------------------------------|---|
| DiGi Electronics Part Number | AT27BV512-70TU-DG                                     |
| Manufacturer                 | <a href="#">Microchip Technology</a>                  |
| Manufacturer Product Number  | AT27BV512-70TU  |
| Description                  | IC EPROM 512KBIT PARALLEL 28TSOP                      |
| Detailed Description         | EPROM - OTP Memory IC 512Kbit Parallel 70 ns 28-T SOP |



Tel: +00 852-30501935

RFQ Email: [Info@DiGi-Electronics.com](mailto:Info@DiGi-Electronics.com)

DiGi is a global authorized distributor of electronic components.

## Purchase and inquiry

Manufacturer Product Number:

AT27BV512-70TU

Series:

-

DiGi-Electronics Programmable:

Not Verified

Memory Format:

EPROM

Memory Size:

512Kbit

Memory Interface:

Parallel

Access Time:

70 ns

Operating Temperature:

-40°C ~ 85°C (TC)

Package / Case:

28-TSSOP (0.465", 11.80mm Width)

Base Product Number:

AT27BV512

Manufacturer:

Microchip Technology

Product Status:

Obsolete

Memory Type:

Non-Volatile

Technology:

EPROM - OTP

Memory Organization:

64K x 8

Write Cycle Time - Word, Page:

-

Voltage - Supply:

2.7V ~ 3.6V, 4.5V ~ 5.5V

Mounting Type:

Surface Mount

Supplier Device Package:

28-TSOP

## Environmental & Export classification

RoHS Status:

ROHS3 Compliant

REACH Status:

REACH Unaffected

HTSUS:

8542.32.0061

Moisture Sensitivity Level (MSL):

3 (168 Hours)

ECCN:

3A991B1B2

## Features

- **Fast Read Access Time – 70 ns**
- **Dual Voltage Range Operation**
  - Unregulated Battery Power Supply Range, 2.7V to 3.6V  
or Standard 5V  $\pm$ 10% Supply Range
- **Pin Compatible with JEDEC Standard AT27C512R**
- **Low Power CMOS Operation**
  - 20  $\mu$ A Max (Less than 1  $\mu$ A Typical) Standby for  $V_{CC} = 3.6V$
  - 29 mW Max Active at 5 MHz for  $V_{CC} = 3.6V$
- **JEDEC Standard Surface Mount Packages**
  - 32-lead PLCC
  - 28-lead SOIC
  - 28-lead TSOP
- **High Reliability CMOS Technology**
  - 2,000V ESD Protection
  - 200 mA Latchup Immunity
- **Rapid Programming Algorithm – 100  $\mu$ s/Byte (Typical)**
- **CMOS and TTL Compatible Inputs and Outputs**
  - JEDEC Standard for LVTTTL and LVBO
- **Integrated Product Identification Code**
- **Industrial Temperature Range**
- **Green (Pb/Halide-free) Packaging Option**

## 1. Description

The AT27BV512 is a high-performance, low-power, low-voltage 524,288-bit one-time programmable read-only memory (OTP EPROM) organized as 64K by 8 bits. It requires only one supply in the range of 2.7 to 3.6V in normal read mode operation, making it ideal for fast, portable systems using either regulated or unregulated battery power.

Atmel's innovative design techniques provide fast speeds that rival 5V parts while keeping the low power consumption of a 3V supply. At  $V_{CC} = 2.7V$ , any byte can be accessed in less than 70 ns. With a typical power consumption of only 18 mW at 5 MHz and  $V_{CC} = 3V$ , the AT27BV512 consumes less than one fifth the power of a standard 5V EPROM.

Standby mode supply current is typically less than 1  $\mu$ A at 3V. The AT27BV512 simplifies system design and stretches battery lifetime even further by eliminating the need for power supply regulation.

The AT27BV512 is available in industry-standard JEDEC-approved one-time programmable (OTP) plastic PLCC, SOIC, and TSOP packages. All devices feature two-line control ( $\overline{CE}$ ,  $\overline{OE}$ ) to give designers the flexibility to prevent bus contention.

The AT27BV512 operating with  $V_{CC}$  at 3.0V produces TTL level outputs that are compatible with standard TTL logic devices operating at  $V_{CC} = 5.0V$ . At  $V_{CC} = 2.7V$ , the part is compatible with JEDEC approved low voltage battery operation (LVBO) interface specifications. The device is also capable of standard 5-volt operation making it ideally suited for dual supply range systems or card products that are pluggable in both 3-volt and 5-volt hosts.



**512K (64K x 8)  
Unregulated  
Battery-Voltage  
High-Speed  
OTP EPROM**

**AT27BV512**

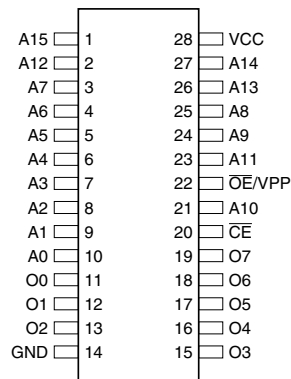


Atmel's AT27BV512 has additional features to ensure high quality and efficient production use. The Rapid Programming Algorithm reduces the time required to program the part and guarantees reliable programming. Programming time is typically only 100  $\mu$ s/byte. The Integrated Product Identification Code electronically identifies the device and manufacturer. This feature is used by industry-standard programming equipment to select the proper programming algorithms and voltages. The AT27BV512 programs exactly the same way as a standard 5V AT27C512R and uses the same programming equipment.

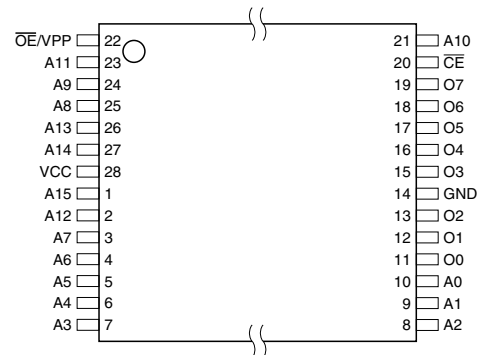
## 2. Pin Configurations

| Pin Name            | Function                     |
|---------------------|------------------------------|
| A0 - A15            | Addresses                    |
| O0 - O7             | Outputs                      |
| $\overline{CE}$     | Chip Enable                  |
| $\overline{OE}/VPP$ | Output Enable/Program Supply |
| NC                  | No Connect                   |

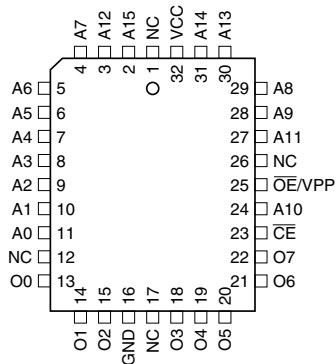
### 2.1 28-lead SOIC Top View



### 2.3 28-lead TSOP ( Type 1 ) Top View



### 2.2 32-lead PLCC Top View

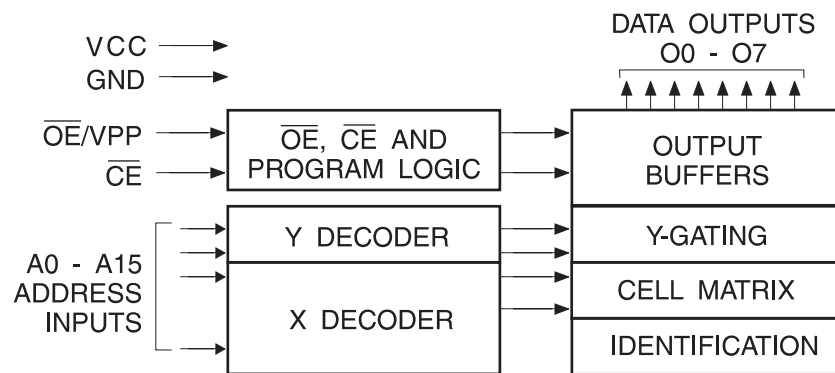


Note: PLCC package pins 1 and 17 are Don't Connect.

### 3. System Considerations

Switching between active and standby conditions via the Chip Enable pin may produce transient voltage excursions. Unless accommodated by the system design, these transients may exceed datasheet limits, resulting in device non-conformance. At a minimum, a 0.1  $\mu\text{F}$  high frequency, low inherent inductance, ceramic capacitor should be utilized for each device. This capacitor should be connected between the  $V_{\text{CC}}$  and Ground terminals of the device, as close to the device as possible. Additionally, to stabilize the supply voltage level on printed circuit boards with large EPROM arrays, a 4.7  $\mu\text{F}$  bulk electrolytic capacitor should be utilized, again connected between the  $V_{\text{CC}}$  and Ground terminals. This capacitor should be positioned as close as possible to the point where the power supply is connected to the array.

### 4. Block Diagram



### 5. Absolute Maximum Ratings\*

|  |                                |
|--|--------------------------------|
| Temperature Under Bias.....                                    | -40°C to +85°C                 |
| Storage Temperature .....                                      | -65°C to +125°C                |
| Voltage on Any Pin with<br>Respect to Ground .....             | -2.0V to +7.0V <sup>(1)</sup>  |
| Voltage on A9 with<br>Respect to Ground .....                  | -2.0V to +14.0V <sup>(1)</sup> |
| $V_{\text{PP}}$ Supply Voltage with<br>Respect to Ground ..... | -2.0V to +14.0V <sup>(1)</sup> |

\*NOTICE: Stresses beyond those listed under "Absolute Maximum Ratings" may cause permanent damage to the device. This is a stress rating only and functional operation of the device at these or any other conditions beyond those indicated in the operational sections of this specification is not implied. Exposure to absolute maximum rating conditions for extended periods may affect device reliability

Notes: 1. Minimum voltage is -0.6V DC which may undershoot to -2.0V for pulses of less than 20 ns. Maximum output pin voltage is  $V_{\text{CC}} + 0.75\text{V}$  DC which may be exceeded if certain precautions are observed (consult application notes) and which may overshoot to +7.0V for pulses of less than 20 ns.



## 6. Operating Modes

| Mode \ Pin                               | $\overline{CE}$ | $\overline{OE}/V_{PP}$ | Ai  | $V_{CC}$ | Outputs             |
|--|-----------------|------------------------|---|----------|---------------------|
| Read <sup>(2)</sup>                      | $V_{IL}$        | $V_{IL}$               | Ai  | $V_{CC}$ | $D_{OUT}$           |
| Output Disable <sup>(2)</sup>            | $V_{IL}$        | $V_{IH}$               | X <sup>(1)</sup>  | $V_{CC}$ | High Z              |
| Standby <sup>(2)</sup>                   | $V_{IH}$        | X                      | X   | $V_{CC}$ | High Z              |
| Rapid Program <sup>(3)</sup>             | $V_{IL}$        | $V_{PP}$               | Ai  | $V_{CC}$ | $D_{IN}$            |
| PGM Verify <sup>(3)</sup>                | $V_{IL}$        | $V_{IL}$               | Ai  | $V_{CC}$ | $D_{OUT}$           |
| PGM Inhibit <sup>(3)</sup>               | $V_{IH}$        | $V_{PP}$               | X   | $V_{CC}$ | High Z              |
| Product Identification <sup>(3)(5)</sup> | $V_{IL}$        | $V_{IL}$               | A9 = $V_H$ <sup>(4)</sup><br>A0 = $V_{IH}$ or $V_{IL}$<br>A1 - A15 = $V_{IL}$ | $V_{CC}$ | Identification Code |

- Notes:
1. X can be  $V_{IL}$  or  $V_{IH}$ .
  2. Read, output disable, and standby modes require,  $2.7V \leq V_{CC} \leq 3.6V$ , or  $4.5V \leq V_{CC} \leq 5.5V$ .
  3. Refer to Programming Characteristics. Programming modes require  $V_{CC} = 6.5V$ .
  4.  $V_H = 12.0 \pm 0.5V$ .
  5. Two identifier bytes may be selected. All Ai inputs are held low ( $V_{IL}$ ), except A9 which is set to  $V_H$  and A0 which is toggled low ( $V_{IL}$ ) to select the Manufacturer's Identification byte and high ( $V_{IH}$ ) to select the Device Code byte.

## 7. DC and AC Operating Conditions for Read Operation

|                              | AT27BV512-70 |
|------------------------------|--------------|
| Operating Temperature (Case) | -40°C - 85°C |
| $V_{CC}$ Power Supply        | 2.7V to 3.6V |
|                              | 5V $\pm$ 10% |

## 8. DC and Operating Characteristics for Read Operation

| Symbol                               | Parameter   | Condition   | Min                   | Max                   | Units |
|--------------------------------------|---|---|-----------------------|-----------------------|-------|
| <b>V<sub>CC</sub> = 2.7V to 3.6V</b> |   |   |                       |                       |       |
| I <sub>LI</sub>                      | Input Load Current                                  | V <sub>IN</sub> = 0V to V <sub>CC</sub>   |                       | ±1                    | μA    |
| I <sub>LO</sub>                      | Output Leakage Current                              | V <sub>OUT</sub> = 0V to V <sub>CC</sub>  |                       | ±5                    | μA    |
| I <sub>PP1</sub> <sup>(2)</sup>      | V <sub>PP</sub> <sup>(1)</sup> Read/Standby Current | V <sub>PP</sub> = V <sub>CC</sub>   |                       | 10                    | μA    |
| I <sub>SB</sub>                      | V <sub>CC</sub> <sup>(1)</sup> Standby Current      | I <sub>SB1</sub> (CMOS), $\overline{CE} = V_{CC} \pm 0.3V$                            |                       | 20                    | μA    |
|                                      |   | I <sub>SB2</sub> (TTL), $\overline{CE} = 2.0$ to V <sub>CC</sub> + 0.5V               |                       | 100                   | μA    |
| I <sub>CC</sub>                      | V <sub>CC</sub> Active Current                      | f = 5 MHz, I <sub>OUT</sub> = 0 mA, $\overline{CE} = V_{IL}$ , V <sub>CC</sub> = 3.6V |                       | 8                     | mA    |
| V <sub>IL</sub>                      | Input Low Voltage                                   | V <sub>CC</sub> = 3.0 to 3.6V   | -0.6                  | 0.8                   | V     |
|                                      |   | V <sub>CC</sub> = 2.7 to 3.6V   | -0.6                  | 0.2 x V <sub>CC</sub> | V     |
| V <sub>IH</sub>                      | Input High Voltage                                  | V <sub>CC</sub> = 3.0 to 3.6V   | 2.0                   | V <sub>CC</sub> + 0.5 | V     |
|                                      |   | V <sub>CC</sub> = 2.7 to 3.6V   | 0.7 x V <sub>CC</sub> | V <sub>CC</sub> + 0.5 | V     |
| V <sub>OL</sub>                      | Output Low Voltage                                  | I <sub>OL</sub> = 2.0 mA  |                       | 0.4                   | V     |
|                                      |   | I <sub>OL</sub> = 100 μA  |                       | 0.2                   | V     |
|                                      |   | I <sub>OL</sub> = 20 μA   |                       | 0.1                   | V     |
| V <sub>OH</sub>                      | Output High Voltage                                 | I <sub>OH</sub> = -2.0 mA   | 2.4                   |                       | V     |
|                                      |   | I <sub>OH</sub> = -100 μA   | V <sub>CC</sub> - 0.2 |                       | V     |
|                                      |   | I <sub>OH</sub> = -20 μA  | V <sub>CC</sub> - 0.1 |                       | V     |
| <b>V<sub>CC</sub> = 4.5V to 5.5V</b> |   |   |                       |                       |       |
| I <sub>LI</sub>                      | Input Load Current                                  | V <sub>IN</sub> = 0V to V <sub>CC</sub>   |                       | ±1                    | μA    |
| I <sub>LO</sub>                      | Output Leakage Current                              | V <sub>OUT</sub> = 0V to V <sub>CC</sub>  |                       | ±5                    | μA    |
| I <sub>PP1</sub> <sup>(2)</sup>      | V <sub>PP</sub> <sup>(1)</sup> Read/Standby Current | V <sub>PP</sub> = V <sub>CC</sub>   |                       | 10                    | μA    |
| I <sub>SB</sub>                      | V <sub>CC</sub> <sup>(1)</sup> Standby Current      | I <sub>SB1</sub> (CMOS), $\overline{CE} = V_{CC} \pm 0.3V$                            |                       | 100                   | μA    |
|                                      |   | I <sub>SB2</sub> (TTL), $\overline{CE} = 2.0$ to V <sub>CC</sub> + 0.5V               |                       | 1                     | mA    |
| I <sub>CC</sub>                      | V <sub>CC</sub> Active Current                      | f = 5 MHz, I <sub>OUT</sub> = 0 mA, $\overline{CE} = V_{IL}$                          |                       | 20                    | mA    |
| V <sub>IL</sub>                      | Input Low Voltage                                   |   | -0.6                  | 0.8                   | V     |
| V <sub>IH</sub>                      | Input High Voltage                                  |   | 2.0                   | V <sub>CC</sub> + 0.5 | V     |
| V <sub>OL</sub>                      | Output Low Voltage                                  | I <sub>OL</sub> = 2.1 mA  |                       | 0.4                   | V     |
| V <sub>OH</sub>                      | Output High Voltage                                 | I <sub>OH</sub> = -400 μA   | 2.4                   |                       | V     |

- Notes:
- V<sub>CC</sub> must be applied simultaneously with or before  $\overline{OE}/V_{PP}$  and removed simultaneously with or after  $\overline{OE}/V_{PP}$
  - V<sub>PP</sub> may be connected directly to V<sub>CC</sub>, except during programming. The supply current would then be the sum of I<sub>CC</sub> and I<sub>PP</sub>

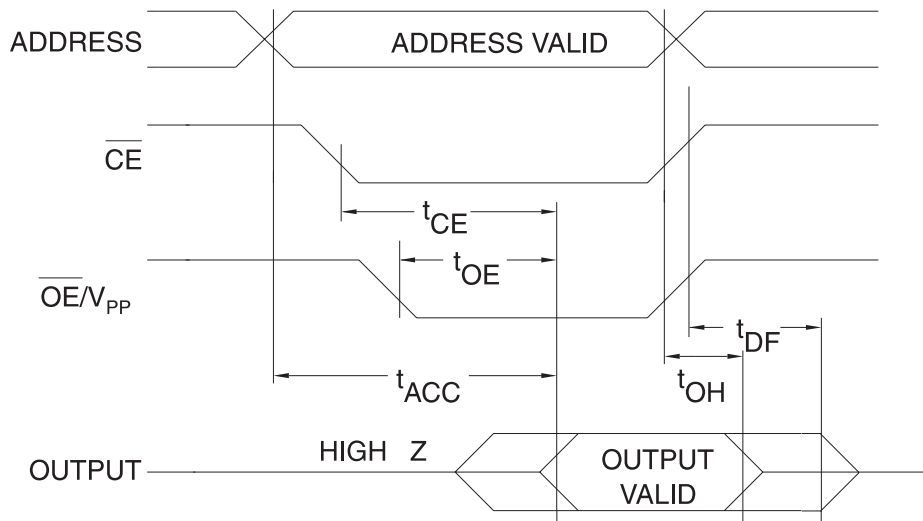


## 9. AC Characteristics for Read Operation

$V_{CC} = 2.7V$  to  $3.6V$  and  $4.5V$  to  $5.5V$

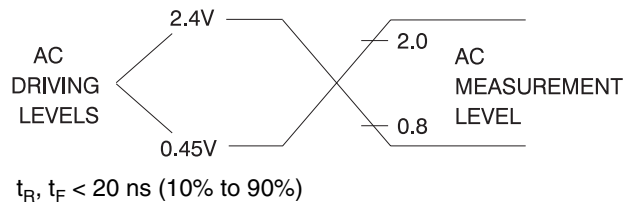
| Symbol            | Parameter  | Condition                                       | AT27BV512-70 |     | Units |
|-------------------|--|---|--------------|-----|-------|
|                   |  |   | Min          | Max |       |
| $t_{ACC}^{(3)}$   | Address to Output Delay  | $\overline{CE} = \overline{OE}/V_{PP} = V_{IL}$ |              | 70  | ns    |
| $t_{CE}^{(2)}$    | $\overline{CE}$ to Output Delay  | $\overline{OE}/V_{PP} = V_{IL}$                 |              | 70  | ns    |
| $t_{OE}^{(2)(3)}$ | $\overline{OE}/V_{PP}$ to Output Delay   | $\overline{CE} = V_{IL}$                        |              | 50  | ns    |
| $t_{DF}^{(4)(5)}$ | $\overline{OE}/V_{PP}$ or $\overline{CE}$ High to Output Float, Whichever Occurred First     |   |              | 40  | ns    |
| $t_{OH}$          | Output Hold from Address, $\overline{CE}$ or $\overline{OE}/V_{PP}$ Whichever Occurred First |   | 0            |     | ns    |

## 10. AC Waveforms for Read Operation<sup>(1)</sup>

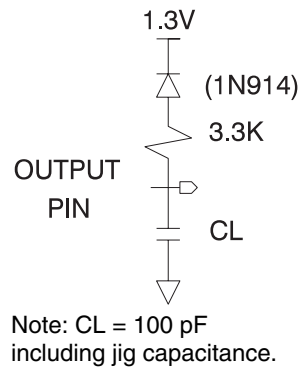


- Notes:
1. Timing measurement references are 0.8V and 2.0V. Input AC drive levels are 0.45V and 2.4V, unless otherwise specified.
  2.  $\overline{OE}/V_{PP}$  may be delayed up to  $t_{CE} - t_{OE}$  after the falling edge of  $\overline{CE}$  without impact on  $t_{CE}$ .
  3.  $\overline{OE}/V_{PP}$  may be delayed up to  $t_{ACC} - t_{OE}$  after the address is valid without impact on  $t_{ACC}$ .
  4. This parameter is only sampled and is not 100% tested.
  5. Output float is defined as the point when data is no longer driven.
  6. When reading a AT27BV256, a 0.1  $\mu F$  capacitor is required across  $V_{CC}$  and ground to suppress spurious voltage transients.

## 11. Input Test Waveform and Measurement Level



## 12. Output Test Load



## 13. Pin Capacitance

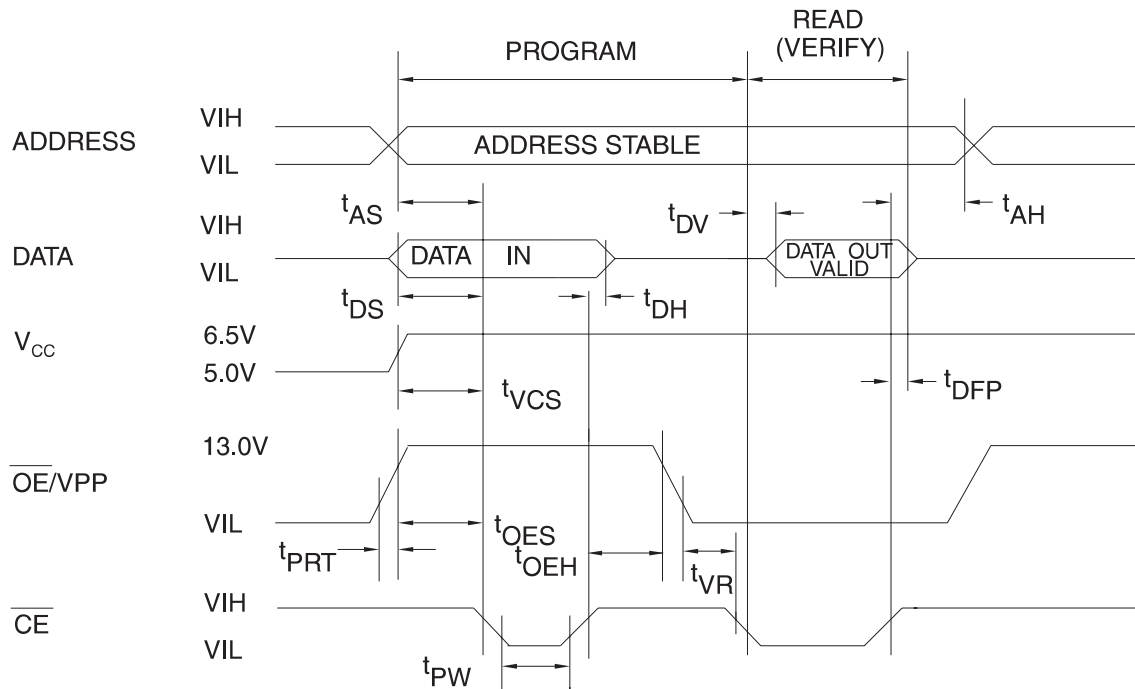
$f = 1 \text{ MHz}, T = 25^\circ\text{C}^{(1)}$

| Symbol    | Typ | Max | Units | Conditions     |
|-----------|-----|-----|-------|----------------|
| $C_{IN}$  | 4   | 6   | pF    | $V_{IN} = 0V$  |
| $C_{OUT}$ | 8   | 12  | pF    | $V_{OUT} = 0V$ |

Note: 1. Typical values for nominal supply voltage. This parameter is only sampled and is not 100% tested.



## 14. Programming Waveforms<sup>(1)</sup>



- Notes:
1. The Input Timing Reference is 0.8V for  $V_{IL}$  and 2.0V for  $V_{IH}$ .
  2.  $t_{OE}$  and  $t_{DFP}$  are characteristics of the device but must be accommodated by the programmer.
  3. When programming the AT27BV512, a 0.1  $\mu\text{F}$  capacitor is required across  $V_{PP}$  and ground to suppress spurious voltage transients.

## 15. DC Programming Characteristics

$T_A = 25 \pm 5^\circ\text{C}$ ,  $V_{CC} = 6.5 \pm 0.25\text{V}$ ,  $\overline{\text{OE}}/V_{PP} = 13.0 \pm 0.25\text{V}$

| Symbol    | Parameter                                    | Test Conditions                 | Limits |                | Units         |
|-----------|--|---------------------------------|--------|----------------|---------------|
|           |  |                                 | Min    | Max            |               |
| $I_{LI}$  | Input Load Current                           | $V_{IN} = V_{IL}, V_{IH}$       |        | $\pm 10$       | $\mu\text{A}$ |
| $V_{IL}$  | Input Low Level                              |                                 | -0.6   | 0.8            | V             |
| $V_{IH}$  | Input High Level                             |                                 | 2.0    | $V_{CC} + 0.5$ | V             |
| $V_{OL}$  | Output Low Voltage                           | $I_{OL} = 2.1 \text{ mA}$       |        | 0.4            | V             |
| $V_{OH}$  | Output High Voltage                          | $I_{OH} = -400 \mu\text{A}$     | 2.4    |                | V             |
| $I_{CC2}$ | $V_{CC}$ Supply Current (Program and Verify) |                                 |        | 25             | mA            |
| $I_{PP2}$ | $\overline{\text{OE}}/V_{PP}$ Current        | $\overline{\text{CE}} = V_{IL}$ |        | 25             | mA            |
| $V_{ID}$  | A9 Product Identification Voltage            |                                 | 11.5   | 12.5           | V             |

## 16. AC Programming Characteristics

$T_A = 25 \pm 5^\circ\text{C}$ ,  $V_{CC} = 6.5 \pm 0.25\text{V}$ ,  $\overline{\text{OE}}/V_{PP} = 13.0 \pm 0.25\text{V}$

| Symbol    | Parameter  | Test Conditions <sup>(1)</sup>                  | Limits |     | Units         |
|-----------|--|---|--------|-----|---------------|
|           |  |   | Min    | Max |               |
| $t_{AS}$  | Address Setup Time   | Input Rise and Fall Times:<br>(10% to 90) 20 ns | 2      |     | $\mu\text{s}$ |
| $t_{OES}$ | $\overline{\text{OE}}/V_{PP}$ Setup Time                         |   | 2      |     | $\mu\text{s}$ |
| $t_{OEH}$ | $\overline{\text{OE}}/V_{PP}$ Hold Time                          |   | 2      |     | $\mu\text{s}$ |
| $t_{DS}$  | Data Setup Time  |   | 2      |     | $\mu\text{s}$ |
| $t_{AH}$  | Address Hold Time  | Input Pulse Levels:<br>0.45V to 2.4V            | 0      |     | $\mu\text{s}$ |
| $t_{DH}$  | Data Hold Time   |   | 2      |     | $\mu\text{s}$ |
| $t_{DFP}$ | $\overline{\text{CE}}$ High to Output Float Delay <sup>(2)</sup> | Input Timing Reference Level:<br>0.8V to 2.0V   | 0      | 130 | ns            |
| $t_{VCS}$ | $V_{CC}$ Setup Time  |   | 2      |     | $\mu\text{s}$ |
| $t_{PW}$  | $\overline{\text{CE}}$ Program Pulse Width <sup>(3)</sup>        |   | 95     | 105 | $\mu\text{s}$ |
| $t_{DV}$  | Data Valid from $\overline{\text{CE}}$ <sup>(2)</sup>            |   |        | 1   | $\mu\text{s}$ |
| $t_{VR}$  | $\overline{\text{OE}}/V_{PP}$ Recovery Time                      | Output Timing Reference Level:<br>0.8V to 2.0V  | 2      |     | $\mu\text{s}$ |
| $t_{PRT}$ | $\overline{\text{OE}}/V_{PP}$ Pulse Rise Time During Programming |   | 50     |     | ns            |

- Notes:
- $V_{CC}$  must be applied simultaneously or before  $\overline{\text{OE}}/V_{PP}$  and removed simultaneously or after  $\overline{\text{OE}}/V_{PP}$
  - This parameter is only sampled and is not 100% tested. Output Float is defined as the point where data is no longer driven – see timing diagram.
  - Program Pulse width tolerance is 100  $\mu\text{sec} \pm 5\%$ .

## 17. Atmel's AT27BV512 Integrated Product Identification Code<sup>(1)</sup>

| Codes        | Pins |    |    |    |    |    |    |    |    | Hex Data |
|--------------|------|----|----|----|----|----|----|----|----|----------|
|              | A0   | O7 | O6 | O5 | O4 | O3 | O2 | O1 | O0 |          |
| Manufacturer | 0    | 0  | 0  | 0  | 1  | 1  | 1  | 1  | 0  | 1E       |
| Device Type  | 1    | 0  | 0  | 0  | 0  | 1  | 1  | 0  | 1  | 0D       |

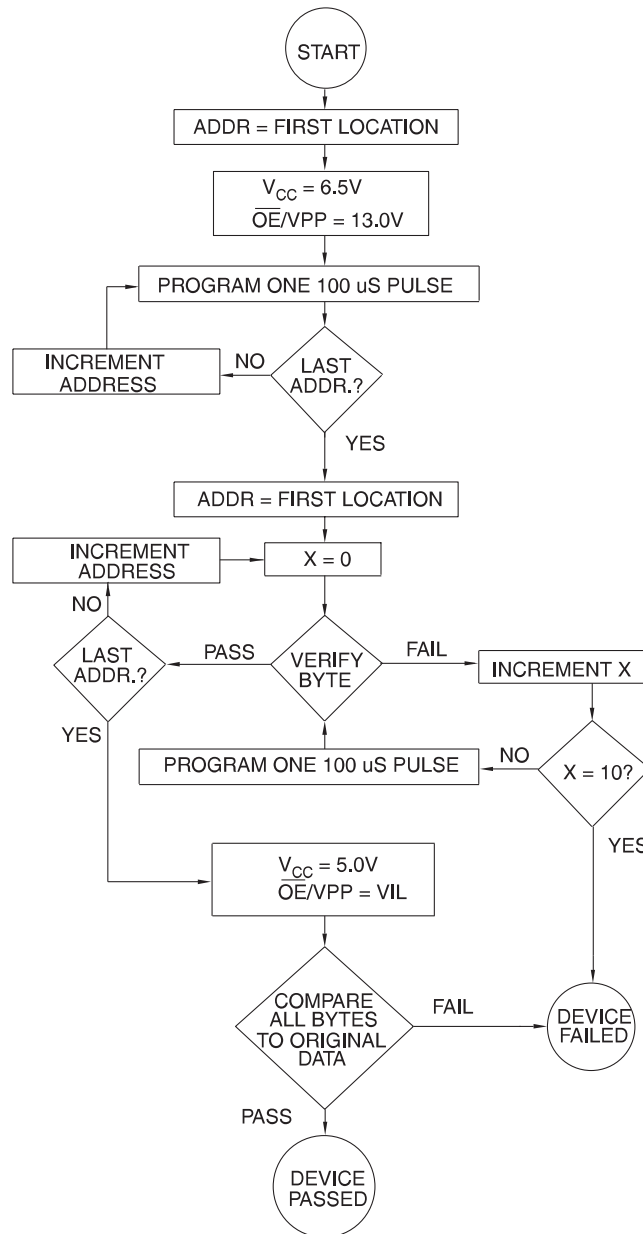
Note: 1. The AT27BV512 has the same Product Identification Code as the AT27C512R. Both are programming compatible.





## 18. Rapid Programming Algorithm

A  $100\ \mu\text{s}$   $\overline{\text{CE}}$  pulse width is used to program. The address is set to the first location.  $V_{\text{CC}}$  is raised to 6.5V and  $\overline{\text{OE}}/V_{\text{PP}}$  is raised to 13.0V. Each address is first programmed with one  $100\ \mu\text{s}$   $\overline{\text{CE}}$  pulse without verification. Then a verification/reprogramming loop is executed for each address. In the event a byte fails to pass verification, up to 10 successive  $100\ \mu\text{s}$  pulses are applied with a verification after each pulse. If the byte fails to verify after 10 pulses have been applied, the part is considered failed. After the byte verifies properly, the next address is selected until all have been checked.  $\overline{\text{OE}}/V_{\text{PP}}$  is then lowered to  $V_{\text{IL}}$  and  $V_{\text{CC}}$  to 5.0V. All bytes are read again and compared with the original data to determine if the device passes or fails.



## 19. Ordering Information

### 19.1 Standard Package

| t <sub>ACC</sub><br>(ns) | I <sub>CC</sub> (mA) |         | Ordering Code                                      | Package                          | Operation Range               |
|--------------------------|----------------------|---------|--|----------------------------------|-------------------------------|
|                          | Active               | Standby |  |                                  |                               |
| 70                       | 8                    | 0.02    | AT27BV512-70JI<br>AT27BV512-70RI<br>AT27BV512-70TI | 32J<br>28R <sup>(1)</sup><br>28T | Industrial<br>(-40°C to 85°C) |

Note:  Not recommended for new designs. Use Green package option.

### 19.2 Green Package Option (Pb/Halide-free)

| t <sub>ACC</sub><br>(ns) | I <sub>CC</sub> (mA) |         | Ordering Code                                      | Package                          | Operation Range               |
|--------------------------|----------------------|---------|--|----------------------------------|-------------------------------|
|                          | Active               | Standby |  |                                  |                               |
| 70                       | 8                    | 0.02    | AT27BV512-70JU<br>AT27BV512-70RU<br>AT27BV512-70TU | 32J<br>28R <sup>(1)</sup><br>28T | Industrial<br>(-40°C to 85°C) |

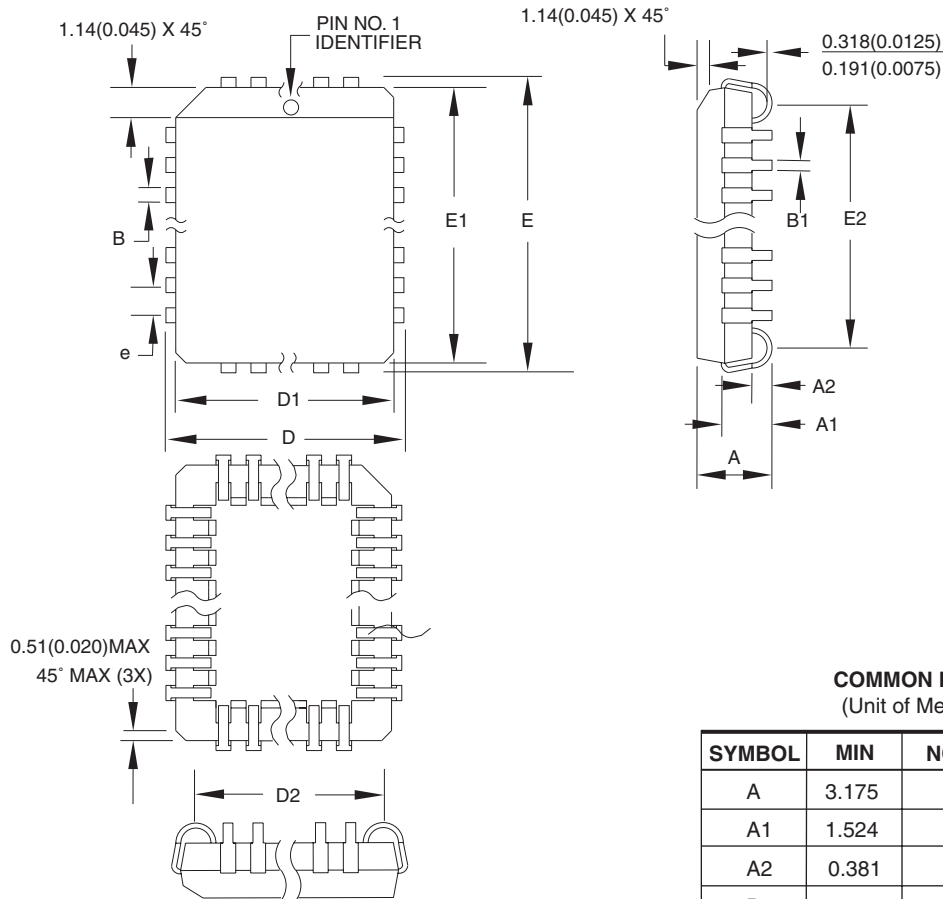
Note: 1. The 28-pin SOIC package is not recommended for new designs.

| Package Type |  |
|--------------|--|
| <b>32J</b>   | 32-lead, Plastic J-leaded Chip Carrier (PLCC)                |
| <b>28R</b>   | 28-lead, 0.330" Wide, Plastic Gull Wing Small Package (SOIC) |
| <b>28T</b>   | 28-lead, Plastic Thin Small Outline Package (TSOP)           |



## 20. Packaging Information

### 20.1 32J – PLCC



**COMMON DIMENSIONS**  
(Unit of Measure = mm)

| SYMBOL | MIN       | NOM | MAX    | NOTE   |
|--------|-----------|-----|--------|--------|
| A      | 3.175     | –   | 3.556  |        |
| A1     | 1.524     | –   | 2.413  |        |
| A2     | 0.381     | –   | –      |        |
| D      | 12.319    | –   | 12.573 |        |
| D1     | 11.354    | –   | 11.506 | Note 2 |
| D2     | 9.906     | –   | 10.922 |        |
| E      | 14.859    | –   | 15.113 |        |
| E1     | 13.894    | –   | 14.046 | Note 2 |
| E2     | 12.471    | –   | 13.487 |        |
| B      | 0.660     | –   | 0.813  |        |
| B1     | 0.330     | –   | 0.533  |        |
| e      | 1.270 TYP |     |        |        |

- Notes:
1. This package conforms to JEDEC reference MS-016, Variation AE.
  2. Dimensions D1 and E1 do not include mold protrusion. Allowable protrusion is .010" (0.254 mm) per side. Dimension D1 and E1 include mold mismatch and are measured at the extreme material condition at the upper or lower parting line.
  3. Lead coplanarity is 0.004" (0.102 mm) maximum.

10/04/01



2325 Orchard Parkway  
San Jose, CA 95131

**TITLE**

**32J**, 32-lead, Plastic J-leaded Chip Carrier (PLCC)

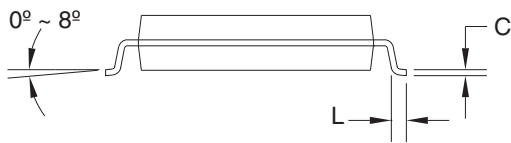
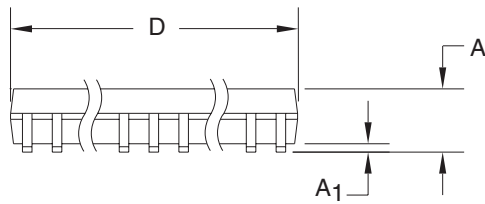
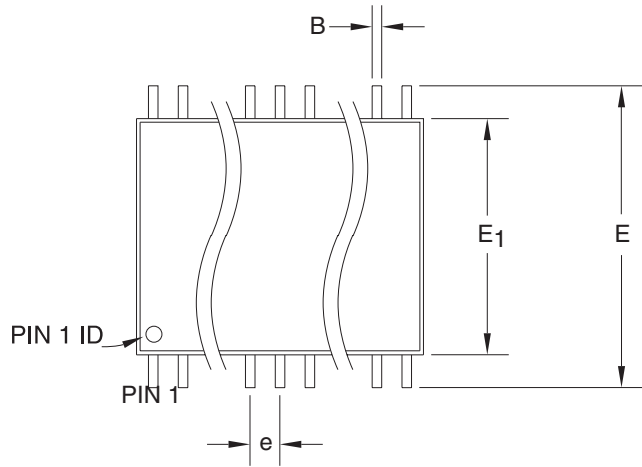
**DRAWING NO.**

32J

**REV.**

B

**20.2 28R – SOIC**




Note: 1. Dimensions D and E1 do not include mold Flash or protrusion. Mold Flash or protrusion shall not exceed 0.25 mm (0.010").

**COMMON DIMENSIONS**  
(Unit of Measure = mm)

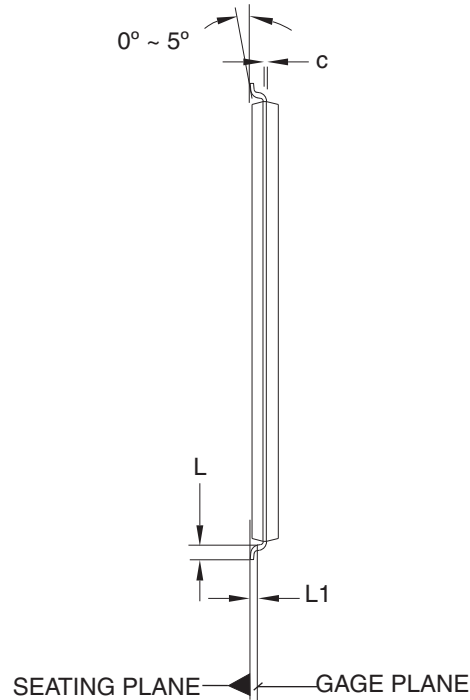
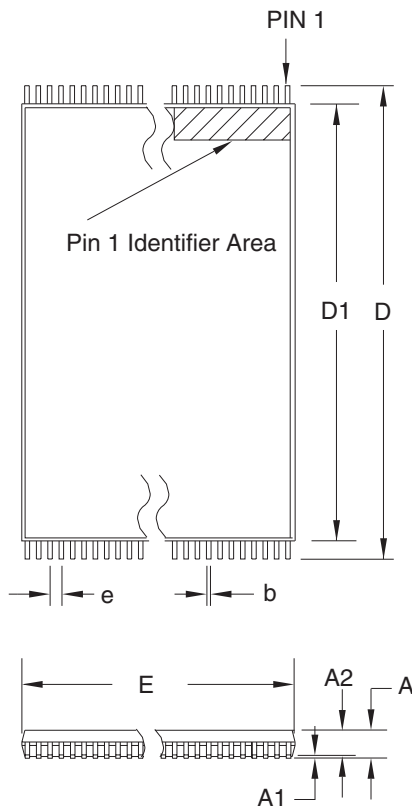
| SYMBOL | MIN      | NOM | MAX   | NOTE   |
|--------|----------|-----|-------|--------|
| A      | 2.39     | –   | 2.79  |        |
| A1     | 0.050    | –   | 0.356 |        |
| D      | 18.00    | –   | 18.50 | Note 1 |
| E      | 11.70    | –   | 12.50 |        |
| E1     | 8.59     | –   | 8.79  | Note 1 |
| B      | 0.356    | –   | 0.508 |        |
| C      | 0.203    | –   | 0.305 |        |
| L      | 0.94     | –   | 1.27  |        |
| e      | 1.27 TYP |     |       |        |

5/18/2004

|  |  |                    |             |
|--|--|--------------------|-------------|
|  2325 Orchard Parkway<br>San Jose, CA 95131 | <b>TITLE</b><br><b>28R, 28-lead, 0.330" Body Width,</b><br><b>Plastic Gull Wing Small Outline (SOIC)</b> | <b>DRAWING NO.</b> | <b>REV.</b> |
|  |  | 28R                | C           |



20.3 28T – TSOP



**COMMON DIMENSIONS**  
(Unit of Measure = mm)

| SYMBOL | MIN        | NOM   | MAX   | NOTE   |
|--------|------------|-------|-------|--------|
| A      | –          | –     | 1.20  |        |
| A1     | 0.05       | –     | 0.15  |        |
| A2     | 0.90       | 1.00  | 1.05  |        |
| D      | 13.20      | 13.40 | 13.60 |        |
| D1     | 11.70      | 11.80 | 11.90 | Note 2 |
| E      | 7.90       | 8.00  | 8.10  | Note 2 |
| L      | 0.50       | 0.60  | 0.70  |        |
| L1     | 0.25 BASIC |       |       |        |
| b      | 0.17       | 0.22  | 0.27  |        |
| c      | 0.10       | –     | 0.21  |        |
| e      | 0.55 BASIC |       |       |        |

- Notes:
1. This package conforms to JEDEC reference MO-183.
  2. Dimensions D1 and E do not include mold protrusion. Allowable protrusion on E is 0.15 mm per side and on D1 is 0.25 mm per side.
  3. Lead coplanarity is 0.10 mm maximum.

12/06/02



2325 Orchard Parkway  
San Jose, CA 95131

**TITLE**

**28T**, 28-lead (8 x 13.4 mm) Plastic Thin Small Outline Package, Type I (TSOP)

**DRAWING NO.**

28T

**REV.**

C



## Headquarters

---

**Atmel Corporation**  
 2325 Orchard Parkway  
 San Jose, CA 95131  
 USA  
 Tel: 1(408) 441-0311  
 Fax: 1(408) 487-2600

## International

---

**Atmel Asia**  
 Room 1219  
 Chinachem Golden Plaza  
 77 Mody Road Tsimshatsui  
 East Kowloon  
 Hong Kong  
 Tel: (852) 2721-9778  
 Fax: (852) 2722-1369

**Atmel Europe**  
 Le Krebs  
 8, Rue Jean-Pierre Timbaud  
 BP 309  
 78054 Saint-Quentin-en-  
 Yvelines Cedex  
 France  
 Tel: (33) 1-30-60-70-00  
 Fax: (33) 1-30-60-71-11

**Atmel Japan**  
 9F, Tonetsu Shinkawa Bldg.  
 1-24-8 Shinkawa  
 Chuo-ku, Tokyo 104-0033  
 Japan  
 Tel: (81) 3-3523-3551  
 Fax: (81) 3-3523-7581

## Product Contact

---

**Web Site**  
[www.atmel.com](http://www.atmel.com)

**Technical Support**  
[eprom@atmel.com](mailto:eprom@atmel.com)

**Sales Contact**  
[www.atmel.com/contacts](http://www.atmel.com/contacts)

**Literature Requests**  
[www.atmel.com/literature](http://www.atmel.com/literature)

---

**Disclaimer:** The information in this document is provided in connection with Atmel products. No license, express or implied, by estoppel or otherwise, to any intellectual property right is granted by this document or in connection with the sale of Atmel products. **EXCEPT AS SET FORTH IN ATMEL'S TERMS AND CONDITIONS OF SALE LOCATED ON ATMEL'S WEB SITE, ATMEL ASSUMES NO LIABILITY WHATSOEVER AND DISCLAIMS ANY EXPRESS, IMPLIED OR STATUTORY WARRANTY RELATING TO ITS PRODUCTS INCLUDING, BUT NOT LIMITED TO, THE IMPLIED WARRANTY OF MERCHANTABILITY, FITNESS FOR A PARTICULAR PURPOSE, OR NON-INFRINGEMENT. IN NO EVENT SHALL ATMEL BE LIABLE FOR ANY DIRECT, INDIRECT, CONSEQUENTIAL, PUNITIVE, SPECIAL OR INCIDENTAL DAMAGES (INCLUDING, WITHOUT LIMITATION, DAMAGES FOR LOSS OF PROFITS, BUSINESS INTERRUPTION, OR LOSS OF INFORMATION) ARISING OUT OF THE USE OR INABILITY TO USE THIS DOCUMENT, EVEN IF ATMEL HAS BEEN ADVISED OF THE POSSIBILITY OF SUCH DAMAGES.** Atmel makes no representations or warranties with respect to the accuracy or completeness of the contents of this document and reserves the right to make changes to specifications and product descriptions at any time without notice. Atmel does not make any commitment to update the information contained herein. Unless specifically provided otherwise, Atmel products are not suitable for, and shall not be used in, automotive applications. Atmel's products are not intended, authorized, or warranted for use as components in applications intended to support or sustain life.

© 2007 Atmel Corporation. All rights reserved. Atmel®, logo and combinations thereof, and others are registered trademarks or trademarks of Atmel Corporation or its subsidiaries. Other terms and product names may be trademarks of others.

## OUR CERTIFICATE

DiGi provide top-quality products and perfect service for customer worldwide through standardization, technological innovation and continuous improvement. DiGi through third-party certification, we stricly control the quality of products and services. Welcome your RFQ to

Email: [Info@DiGi-Electronics.com](mailto:Info@DiGi-Electronics.com)



Tel: +00 852-30501935

RFQ Email: [Info@DiGi-Electronics.com](mailto:Info@DiGi-Electronics.com)

DiGi is a global authorized distributor of electronic components.