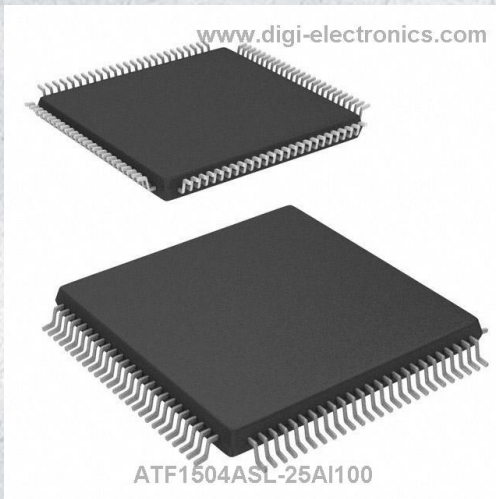


ATF1504ASL-25AI100 Datasheet



<https://www.DiGi-Electronics.com>

| | |
|------------------------------|--------------------------------------|
| DiGi Electronics Part Number | ATF1504ASL-25AI100-DG |
| Manufacturer | Microchip Technology |
| Manufacturer Product Number | ATF1504ASL-25AI100 |
| Description | IC CPLD 64MC 25NS 100TQFP |
| Detailed Description | Embedded, Integrated Circuits (ICs) |



Tel: +00 852-30501935

RFQ Email: Info@DiGi-Electronics.com

DiGi is a global authorized distributor of electronic components.

Purchase and inquiry

Manufacturer Product Number:

ATF1504ASL-25AI100

Series:

ATF15xx

DiGi-Electronics Programmable:

Not Verified

Delay Time tpd(1) Max:

25 ns

Number of Macrocells:

64

Operating Temperature:

-40°C ~ 85°C (TA)

Package / Case:

100-TQFP

Base Product Number:

ATF1504ASL

Manufacturer:

Microchip Technology

Product Status:

Obsolete

Programmable Type:

In System Programmable (min 10K program/erase cycles)

Voltage Supply - Internal:

4.5V ~ 5.5V

Number of I/O:

64

Mounting Type:

Surface Mount

Supplier Device Package:

100-TQFP (14x14)

Environmental & Export classification

RoHS Status:

RoHS non-compliant

REACH Status:

REACH Unaffected

HTSUS:

8542.39.0001

Moisture Sensitivity Level (MSL):

3 (168 Hours)

ECCN:

EAR99

Features

- High-density, High-performance, Electrically-erasable Complex Programmable Logic Device
 - 64 Macrocells
 - 5 Product Terms per Macrocell, Expandable up to 40 per Macrocell
 - 44, 68, 84, 100 Pins
 - 7.5 ns Maximum Pin-to-pin Delay
 - Registered Operation up to 125 MHz
 - Enhanced Routing Resources
- In-System Programmability (ISP) via JTAG
- Flexible Logic Macrocell
 - D/T/Latch Configurable Flip-flops
 - Global and Individual Register Control Signals
 - Global and Individual Output Enable
 - Programmable Output Slew Rate
 - Programmable Output Open Collector Option
 - Maximum Logic Utilization by Burying a Register with a COM Output
- Advanced Power Management Features
 - Automatic μ A Standby for “L” Version
 - Pin-controlled 1 mA Standby Mode
 - Programmable Pin-keeper Circuits on Inputs and I/Os
 - Reduced-power Feature per Macrocell
- Available in Commercial and Industrial Temperature Ranges
- Available in 44-, 68-, and 84-lead PLCC; 44- and 100-lead TQFP; and 100-lead PQFP
- Advanced EE Technology
 - 100% Tested
 - Completely Reprogrammable
 - 10,000 Program/Erase Cycles
 - 20-year Data Retention
 - 2000V ESD Protection
 - 200 mA Latch-up Immunity
- JTAG Boundary-scan Testing to IEEE Std. 1149.1-1990 and 1149.1a-1993 Supported
- PCI-compliant
- 3.3V or 5.0V I/O Pins
- Security Fuse Feature

Enhanced Features

- Improved Connectivity (Additional Feedback Routing, Alternate Input Routing)
- Output Enable Product Terms
- Transparent – Latch Mode
- Combinatorial Output with Registered Feedback within Any Macrocell
- Three Global Clock Pins
- ITD (Input Transition Detection) Circuits on Global Clocks, Inputs and I/O
- Fast Registered Input from Product Term
- Programmable “Pin-keeper” Option
- V_{CC} Power-up Reset Option
- Pull-up Option on JTAG Pins TMS and TDI
- Advanced Power Management Features
 - Edge-controlled Power-down “L”
 - Individual Macrocell Power Option
 - Disable ITD on Global Clocks, Inputs and I/O



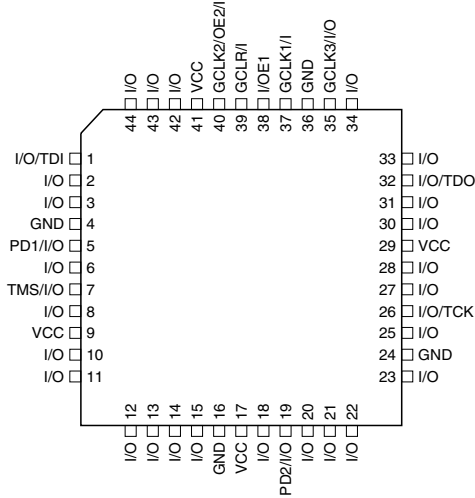
**High-
performance
Complex
Programmable
Logic Device**

**ATF1504AS
ATF1504ASL**

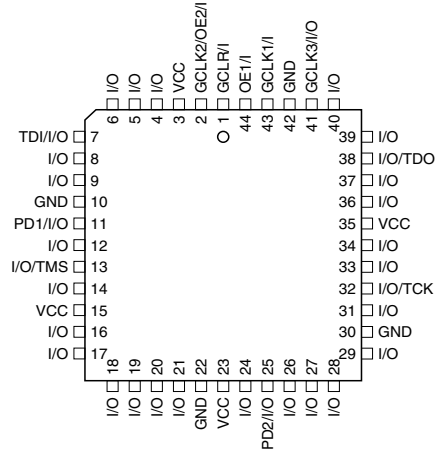




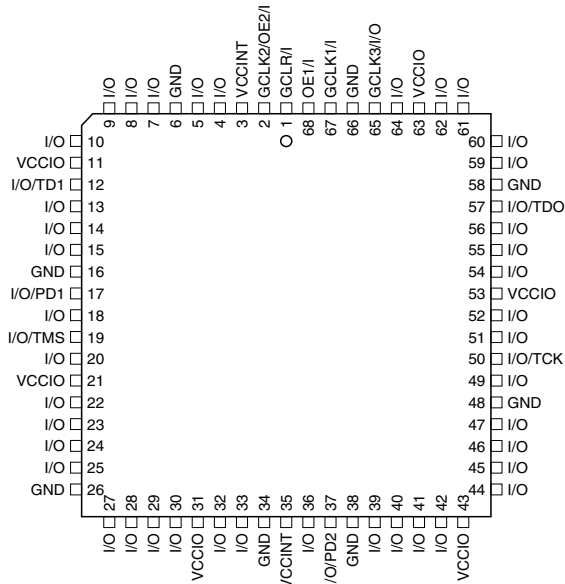
**44-lead TQFP
Top View**



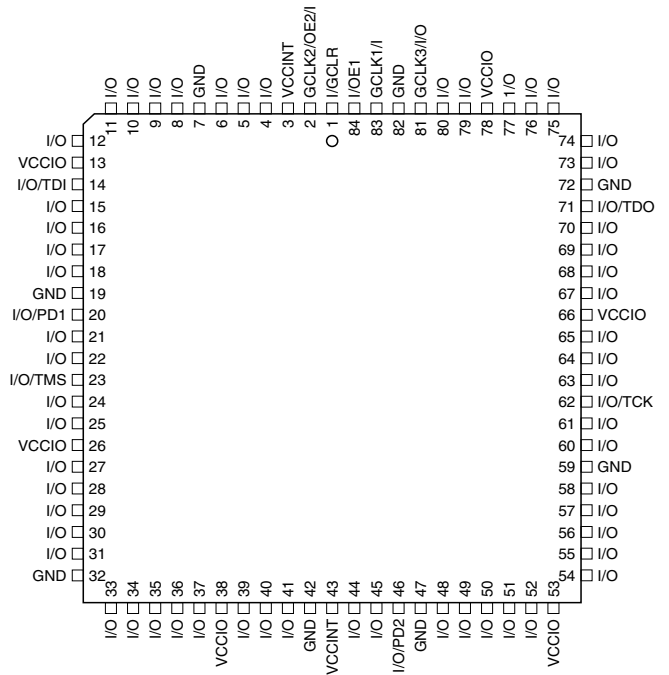
**44-lead PLCC
Top View**



**68-lead PLCC
Top View**



**84-lead PLCC
Top View**



ATF1504AS(L)

**100-lead PQFP
Top View**



**100-lead TQFP
Top View**





Description

The ATF1504AS is a high-performance, high-density complex programmable logic device (CPLD) that utilizes Atmel's proven electrically-erasable memory technology. With 64 logic macrocells and up to 68 inputs, it easily integrates logic from several TTL, SSI, MSI, LSI and classic PLDs. The ATF1504AS's enhanced routing switch matrices increase usable gate count and the odds of successful pin-locked design modifications.

The ATF1504AS has up to 68 bi-directional I/O pins and four dedicated input pins, depending on the type of device package selected. Each dedicated pin can also serve as a global control signal, register clock, register reset or output enable. Each of these control signals can be selected for use individually within each macrocell.

Each of the 64 macrocells generates a buried feedback that goes to the global bus. Each input and I/O pin also feeds into the global bus. The switch matrix in each logic block then selects 40 individual signals from the global bus. Each macrocell also generates a foldback logic term that goes to a regional bus. Cascade logic between macrocells in the ATF1504AS allows fast, efficient generation of complex logic functions. The ATF1504AS contains four such logic chains, each capable of creating sum term logic with a fan-in of up to 40 product terms.

The ATF1504AS macrocell, shown in Figure 1, is flexible enough to support highly-complex logic functions operating at high speed. The macrocell consists of five sections: product terms and product term select multiplexer, OR/XOR/CASCADE logic, a flip-flop, output select and enable, and logic array inputs.

Block Diagram

Unused product terms are automatically disabled by the compiler to decrease power consumption. A security fuse, when programmed, protects the contents of the ATF1504AS. Two bytes (16 bits) of User Signature are accessible to the user for purposes such as storing project name, part number, revision or date. The User Signature is accessible regardless of the state of the security fuse.

The ATF1504AS device is an in-system programmable (ISP) device. It uses the industry-standard 4-pin JTAG interface (IEEE Std. 1149.1), and is fully-compliant with JTAG's Boundary-scan Description Language (BSDL). ISP allows the device to be programmed without removing it from the printed circuit board. In addition to simplifying the manufacturing flow, ISP also allows design modifications to be made in the field via software.



Product Terms and Select Mux

Each ATF1504AS macrocell has five product terms. Each product term receives as its possible inputs all signals from both the global bus and regional bus.

The product term select multiplexer (PTMUX) allocates the five product terms as needed to the macrocell logic gates and control signals. The PTMUX programming is determined by the design compiler, which selects the optimum macrocell configuration.

OR/XOR/CASCADE Logic

The ATF1504AS's logic structure is designed to efficiently support all types of logic. Within a single macrocell, all the product terms can be routed to the OR gate, creating a 5-input AND/OR sum term. With the addition of the CASIN from neighboring macrocells, this can be expanded to as many as 40 product terms with a little small additional delay.

The macrocell's XOR gate allows efficient implementation of compare and arithmetic functions. One input to the XOR comes from the OR sum term. The other XOR input can be a product term or a fixed high- or low-level. For combinatorial outputs, the fixed level input allows polarity selection. For registered functions, the fixed levels allow DeMorgan minimization of product terms. The XOR gate is also used to emulate T- and JK-type flip-flops.

Flip-flop

The ATF1504AS's flip-flop has very flexible data and control functions. The data input can come from either the XOR gate, from a separate product term or directly from the I/O pin. Selecting the separate product term allows creation of a buried registered feedback within a combinatorial output macrocell. (This feature is automatically implemented by the fitter software). In addition to D, T, JK and SR operation, the flip-flop can also be configured as a flow-through latch. In this mode, data passes through when the clock is high and is latched when the clock is low.

The clock itself can be either one of the Global CLK Signals (GCK[0 : 2]) or an individual product term. The flip-flop changes state on the clock's rising edge. When the GCK signal is used as the clock, one of the macrocell product terms can be selected as a clock enable. When the clock enable function is active and the enable signal (product term) is low, all clock edges are ignored. The flip-flop's asynchronous reset signal (AR) can be either the Global Clear (GCLEAR), a product term, or always off. AR can also be a logic OR of GCLEAR with a product term. The asynchronous preset (AP) can be a product term or always off.

Output Select and Enable

The ATF1504AS macrocell output can be selected as registered or combinatorial. The buried feedback signal can be either combinatorial or registered signal regardless of whether the output is combinatorial or registered.

The output enable multiplexer (MOE) controls the output enable signals. Any buffer can be permanently enabled for simple output operation. Buffers can also be permanently disabled to allow use of the pin as an input. In this configuration all the macrocell resources are still available, including the buried feedback, expander and CASCADE logic. The output enable for each macrocell can be selected as either of the two dedicated OE input pins as an I/O pin configured as an input, or as an individual product term.

Global Bus/Switch Matrix

The global bus contains all input and I/O pin signals as well as the buried feedback signal from all 64 macrocells. The switch matrix in each logic block receives as its possible inputs all signals from the global bus. Under software control, up to 40 of these signals can be selected as inputs to the logic block.

Foldback Bus

Each macrocell also generates a foldback product term. This signal goes to the regional bus and is available to four macrocells. The foldback is an inverse polarity of one of the macrocell's product terms. The sixteen foldback terms in each region allow generation of high fan-in sum terms (up to sixteen product terms) with a nominal additional delay.

Figure 1. ATF1504AS Macrocell



Programmable Pin-keeper Option for Inputs and I/Os

The ATF1504AS offers the option of programming all input and I/O pins so that pin-keeper circuits can be utilized. When any pin is driven high or low and then subsequently left floating, it will stay at that previous high- or low-level. This circuitry prevents unused input and I/O lines from floating to intermediate voltage levels, which causes unnecessary power consumption and system noise. The keeper circuits eliminate the need for external pull-up resistors and eliminate their DC power consumption.

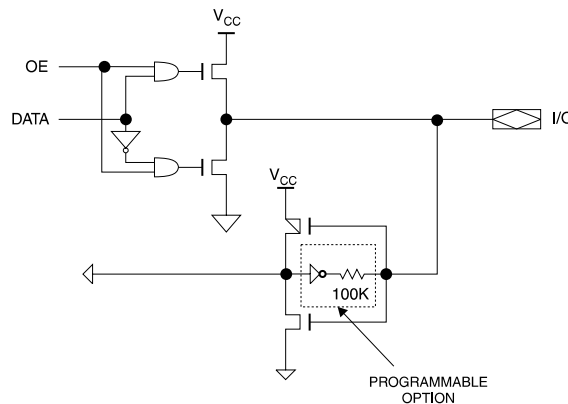
Input Diagram



Speed/Power Management

The ATF1504AS has several built-in speed and power management features. The ATF1504AS contains circuitry that automatically puts the device into a low-power standby mode when no logic transitions are occurring. This not only reduces power consumption during inactive periods, but also provides proportional power savings for most applications running at system speeds below 5 MHz. This feature may be selected as a device option.

I/O Diagram



To further reduce power, each ATF1504AS macrocell has a Reduced Power bit feature. This feature allows individual macrocells to be configured for maximum power savings. This feature may be selected as a design option.

All ATF1504AS also have an optional power-down mode. In this mode, current drops to below 10 mA. When the power-down option is selected, either PD1 or PD2 pins (or both) can be used to power-down the part. The power-down option is selected in the design source file. When enabled, the device goes into power-down when either PD1 or PD2 is high. In the power-down mode, all internal logic signals are latched and held, as are any enabled outputs.

All pin transitions are ignored until the PD pin is brought low. When the power-down feature is enabled, the PD1 or PD2 pin cannot be used as a logic input or output. However, the pin's macrocell may still be used to generate buried foldback and cascade logic signals.

All power-down AC characteristic parameters are computed from external input or I/O pins, with Reduced Power Bit turned on. For macrocells in reduced-power mode (reduced-power bit turned on), the reduced-power adder, tRPA, must be added to the AC parameters, which include the data paths t_{LAD} , t_{LAC} , t_{IC} , t_{ACL} , t_{ACH} and t_{SEXP} .

The ATF1504AS macrocell also has an option whereby the power can be reduced on a per macrocell basis. By enabling this power-down option, macrocells that are not used in an application can be turned-down, thereby reducing the overall power consumption of the device.

Each output also has individual slew rate control. This may be used to reduce system noise by slowing down outputs that do not need to operate at maximum speed. Outputs default to slow switching, and may be specified as fast switching in the design file.

Design Software Support

ATF1504AS designs are supported by several industry-standard third-party tools. Automated fitters allow logic synthesis using a variety of high level description languages and formats.

Power-up Reset

The ATF1504AS is designed with a power-up reset, a feature critical for state machine initialization. At a point delayed slightly from V_{CC} crossing V_{RST} , all registers will be initialized, and the state of each output will depend on the polarity of its buffer. However, due to the asynchronous nature of reset and uncertainty of how V_{CC} actually rises in the system, the following conditions are required:

1. The V_{CC} rise must be monotonic,
2. After reset occurs, all input and feedback setup times must be met before driving the clock pin high, and,
3. The clock must remain stable during T_D .

The ATF1504AS has two options for the hysteresis about the reset level, V_{RST} , Small and Large. During the fitting process users may configure the device with the Power-up Reset hysteresis set to Large or Small. Atmel POF2JED users may select the Large option by including the flag “-power_reset” on the command line after “filename.POF”. To allow the registers to be properly reinitialized with the Large hysteresis option selected, the following condition is added:

4. If V_{CC} falls below 2.0V, it must shut off completely before the device is turned on again.

When the Large hysteresis option is active, I_{CC} is reduced by several hundred microamps as well.

Security Fuse Usage

A single fuse is provided to prevent unauthorized copying of the ATF1504AS fuse patterns. Once programmed, fuse verify is inhibited. However, the 16-bit User Signature remains accessible.



Programming

ATF1504AS devices are in-system programmable (ISP) devices utilizing the 4-pin JTAG protocol. This capability eliminates package handling normally required for programming and facilitates rapid design iterations and field changes.

Atmel provides ISP hardware and software to allow programming of the ATF1504AS via the PC. ISP is performed by using either a download cable or a comparable board tester or a simple microprocessor interface.

To facilitate ISP programming by the Automated Test Equipment (ATE) vendors. Serial Vector Format (SVF) files can be created by Atmel provided software utilities.

ATF1504AS devices can also be programmed using standard third-party programmers. With third-party programmer, the JTAG ISP port can be disabled thereby allowing four additional I/O pins to be used for logic.

Contact your local Atmel representatives or Atmel PLD applications for details.

ISP Programming Protection

The ATF1504AS has a special feature that locks the device and prevents the inputs and I/O from driving if the programming process is interrupted for any reason. The inputs and I/O default to high-Z state during such a condition. In addition the pin-keeper option preserves the former state during device programming, if this circuit were previously programmed on the device. This prevents disturbing the operation of other circuits in the system while the ATF1504AS is being programmed via ISP.

All ATF1504AS devices are initially shipped in the erased state thereby making them ready to use for ISP.

Note: For more information refer to the "Designing for In-System Programmability with Atmel CPLDs" application note.

DC and AC Operating Conditions

| | Commercial | Industrial |
|---|-------------|--------------|
| Operating Temperature (Ambient) | 0°C - 70°C | -40°C - 85°C |
| V _{CCINT} or V _{CCIO} (5V) Power Supply | 5V ± 5% | 5V ± 10% |
| V _{CCIO} (3.3V) Power Supply | 3.0V - 3.6V | 3.0V - 3.6V |

DC Characteristics

| Symbol | Parameter | Condition | Min | Typ | Max | Units | |
|---------------------------------|---------------------------------------|--|-----------|------|-------------------------|-------|----|
| I _{IL} | Input or I/O Low Leakage Current | V _{IN} = V _{CC} | | -2 | -10 | μA | |
| I _{IH} | Input or I/O High Leakage Current | | | 2 | 10 | | |
| I _{OZ} | Tri-state Output Off-state Current | V _O = V _{CC} or GND | -40 | | 40 | μA | |
| I _{CC1} | Power Supply Current, Standby | V _{CC} = Max V _{IN} = 0, V _{CC} | Std Mode | Com. | 105 | | mA |
| | | | | Ind. | 130 | | mA |
| | | | "L" Mode | Com. | 10 | | μA |
| | | | | Ind. | 10 | | μA |
| I _{CC2} | Power Supply Current, Power-down Mode | V _{CC} = Max V _{IN} = 0, V _{CC} | "PD" Mode | 1 | 10 | mA | |
| I _{CC3} ⁽²⁾ | Current in Reduced-power Mode | V _{CC} = Max V _{IN} = 0, V _{CC} | Std Power | Com | 85 | | ma |
| | | | | Ind | 105 | | |
| V _{CCIO} | Supply Voltage | 5.0V Device Output | Com. | 4.75 | | 5.25 | V |
| | | | Ind. | 4.5 | | 5.5 | V |
| V _{CCIO} | Supply Voltage | 3.3V Device Output | | 3.0 | | 3.6 | V |
| V _{IL} | Input Low Voltage | | -0.3 | | 0.8 | V | |
| V _{IH} | Input High Voltage | | 2.0 | | V _{CCIO} + 0.3 | V | |
| V _{OL} | Output Low Voltage (TTL) | V _{IN} = V _{IH} or V _{IL} V _{CCIO} = MIN, I _{OL} = 12 mA | Com. | | | 0.45 | V |
| | | | Ind. | | | | |
| | Output Low Voltage (CMOS) | V _{IN} = V _{IH} or V _{IL} V _{CC} = MIN, I _{OL} = 0.1 mA | Com. | | | .2 | V |
| | | | Ind. | | | .2 | V |
| V _{OH} | Output High Voltage (TTL) | V _{IN} = V _{IH} or V _{IL} V _{CCIO} = MIN, I _{OH} = -4.0 mA | | 2.4 | | V | |

- Notes: 1. Not more than one output at a time should be shorted. Duration of short circuit test should not exceed 30 sec.
2. When macrocell reduced-power feature is enabled.

Pin Capacitance

| | Typ | Max | Units | Conditions |
|------------------|-----|-----|-------|------------------------------------|
| C _{IN} | 8 | 10 | pF | V _{IN} = 0V; f = 1.0 MHz |
| C _{I/O} | 8 | 10 | pF | V _{OUT} = 0V; f = 1.0 MHz |

- Note: Typical values for nominal supply voltage. This parameter is only sampled and is not 100% tested.
The OGI pin (high-voltage pin during programming) has a maximum capacitance of 12 pF.



Absolute Maximum Ratings*

| | |
|--|--------------------------------|
| Temperature Under Bias | -40°C to +85°C |
| Storage Temperature | -65°C to +150°C |
| Voltage on Any Pin with Respect to Ground | -2.0V to +7.0V ⁽¹⁾ |
| Voltage on Input Pins with Respect to Ground During Programming..... | -2.0V to +14.0V ⁽¹⁾ |
| Programming Voltage with Respect to Ground | -2.0V to +14.0V ⁽¹⁾ |

*NOTICE: Stresses beyond those listed under “Absolute Maximum Ratings” may cause permanent damage to the device. This is a stress rating only and functional operation of the device at these or any other conditions beyond those indicated in the operational sections of this specification is not implied. Exposure to absolute maximum rating conditions for extended periods may affect device reliability.

Note: 1. Minimum voltage is -0.6V DC, which may undershoot to -2.0V for pulses of less than 20 ns. Maximum output pin voltage is $V_{CC} + 0.75V$ DC, which may overshoot to 7.0V for pulses of less than 20 ns.

AC Characteristics

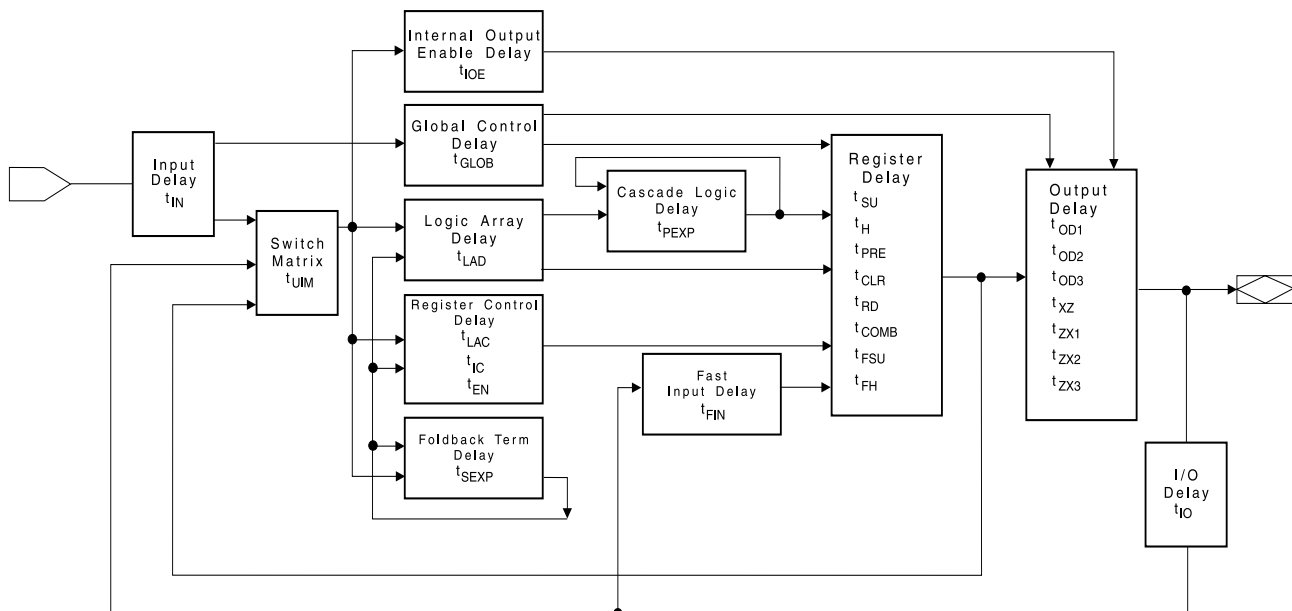
| Symbol | Parameter | -7 | | -10 | | -15 | | -20 | | -25 | | Units |
|------------|--|-----|-----|-----|-----|------|-----|-----|-----|-----|-----|-------|
| | | Min | Max | Min | Max | Min | Max | Min | Max | Min | Max | |
| t_{PD1} | Input or Feedback to Non-registered Output | | 7.5 | | 10 | 3 | 15 | | 20 | | 25 | ns |
| t_{PD2} | I/O Input or Feedback to Non-registered Feedback | | 7 | | 9 | 3 | 12 | | 16 | | 25 | ns |
| t_{SU} | Global Clock Setup Time | 6 | | 7 | | 11 | | 16 | | 20 | | ns |
| t_H | Global Clock Hold Time | 0 | | 0 | | 0 | | 0 | | 0 | | ns |
| t_{FSU} | Global Clock Setup Time of Fast Input | 3 | | 3 | | 3 | | 3 | | 5 | | ns |
| t_{FH} | Global Clock Hold Time of Fast Input | 0.5 | | 0.5 | | 1.0 | | 1.5 | | 2 | | ns |
| t_{COP} | Global Clock to Output Delay | | 4.5 | | 5 | | 8 | | 10 | | 13 | ns |
| t_{CH} | Global Clock High Time | 3 | | 4 | | 5 | | 6 | | 7 | | ns |
| t_{CL} | Global Clock Low Time | 3 | | 4 | | 5 | | 6 | | 7 | | ns |
| t_{ASU} | Array Clock Setup Time | 3 | | 3 | | 4 | | 4 | | 5 | | ns |
| t_{AH} | Array Clock Hold Time | 2 | | 3 | | 4 | | 5 | | 6 | | ns |
| t_{ACOP} | Array Clock Output Delay | | 7.5 | | 10 | | 15 | | 20 | | 25 | ns |
| t_{ACH} | Array Clock High Time | 3 | | 4 | | 6 | | 8 | | 10 | | ns |
| t_{ACL} | Array Clock Low Time | 3 | | 4 | | 6 | | 8 | | 10 | | ns |
| t_{CNT} | Minimum Clock Global Period | | 8 | | 10 | | 13 | | 17 | | 22 | ns |
| f_{CNT} | Maximum Internal Global Clock Frequency | 125 | | 100 | | 76.9 | | 66 | | 50 | | MHz |
| t_{ACNT} | Minimum Array Clock Period | | 8 | | 10 | | 13 | | 17 | | 22 | ns |
| f_{ACNT} | Maximum Internal Array Clock Frequency | 125 | | 100 | | 76.9 | | 66 | | 50 | | MHz |

AC Characteristics (Continued)

| Symbol | Parameter | -7 | | -10 | | -15 | | -20 | | -25 | | Units |
|------------|--|-------|-----|-----|-----|-----|-----|------|-----|-----|-----|-------|
| | | Min | Max | Min | Max | Min | Max | Min | Max | Min | Max | |
| f_{MAX} | Maximum Clock Frequency | 166.7 | | 125 | | 100 | | 83.3 | | 60 | | MHz |
| t_{IN} | Input Pad and Buffer Delay | | 0.5 | | 0.5 | | 2 | | 2 | | 2 | ns |
| t_{IO} | I/O Input Pad and Buffer Delay | | 0.5 | | 0.5 | | 2 | | 2 | | 2 | ns |
| t_{FIN} | Fast Input Delay | | 1 | | 1 | | 2 | | 2 | | 2 | ns |
| t_{SEXP} | Foldback Term Delay | | 4 | | 5 | | 8 | | 10 | | 12 | ns |
| t_{PEXP} | Cascade Logic Delay | | 0.8 | | 0.8 | | 1 | | 1 | | 1.2 | ns |
| t_{LAD} | Logic Array Delay | | 3 | | 5 | | 6 | | 7 | | 8 | ns |
| t_{LAC} | Logic Control Delay | | 3 | | 5 | | 6 | | 7 | | 8 | ns |
| t_{IOE} | Internal Output Enable Delay | | 2 | | 2 | | 3 | | 3 | | 4 | ns |
| t_{OD1} | Output Buffer and Pad Delay (Slow slew rate = OFF; $V_{CCIO} = 5V$; $C_L = 35$ pF) | | 2 | | 1.5 | | 4 | | 5 | | 6 | ns |
| t_{OD2} | Output Buffer and Pad Delay (Slow slew rate = OFF; $V_{CCIO} = 3.3V$; $C_L = 35$ pF) | | 2.5 | | 2.0 | | 5 | | 6 | | 7 | ns |
| t_{OD3} | Output Buffer and Pad Delay (Slow slew rate = ON; $V_{CCIO} = 5V$ or $3.3V$; $C_L = 35$ pF) | | 5 | | 5.5 | | 8 | | 10 | | 10 | ns |

Note: See ordering information for valid part numbers.

Timing Model





AC Characteristics (Continued)

| Symbol | Parameter | -7 | | -10 | | -15 | | -20 | | -25 | | Units |
|------------|--|-----|-----|-----|-----|-----|-----|-----|-----|-----|-----|-------|
| | | Min | Max | Min | Max | Min | Max | Min | Max | Min | Max | |
| t_{ZX1} | Output Buffer Enable Delay (Slow slew rate = OFF; $V_{CCIO} = 5.0V$; $C_L = 35$ pF) | | 4.0 | | 5.0 | | 7 | | 9 | | 10 | ns |
| t_{ZX2} | Output Buffer Enable Delay (Slow slew rate = OFF; $V_{CCIO} = 3.3V$; $C_L = 35$ pF) | | 4.5 | | 5.5 | | 7 | | 9 | | 10 | ns |
| t_{ZX3} | Output Buffer Enable Delay (Slow slew rate = ON; $V_{CCIO} = 5.0V/3.3V$; $C_L = 35$ pF) | | 9 | | 9 | | 10 | | 11 | | 12 | ns |
| t_{XZ} | Output Buffer Disable Delay ($C_L = 5$ pF) | | 4 | | 5 | | 6 | | 7 | | 8 | ns |
| t_{SU} | Register Setup Time | 3 | | 3 | | 4 | | 5 | | 6 | | ns |
| t_H | Register Hold Time | 2 | | 3 | | 4 | | 5 | | 6 | | ns |
| t_{FSU} | Register Setup Time of Fast Input | 3 | | 3 | | 2 | | 2 | | 3 | | ns |
| t_{FH} | Register Hold Time of Fast Input | 0.5 | | 0.5 | | 2 | | 2 | | 2.5 | | ns |
| t_{RD} | Register Delay | | 1 | | 2 | | 1 | | 2 | | 2 | ns |
| t_{COMB} | Combinatorial Delay | | 1 | | 2 | | 1 | | 2 | | 2 | ns |
| t_{IC} | Array Clock Delay | | 3 | | 5 | | 6 | | 7 | | 8 | ns |
| t_{EN} | Register Enable Time | | 3 | | 5 | | 6 | | 7 | | 8 | ns |
| t_{GLOB} | Global Control Delay | | 1 | | 1 | | 1 | | 1 | | 1 | ns |
| t_{PRE} | Register Preset Time | | 2 | | 3 | | 4 | | 5 | | 6 | ns |
| t_{CLR} | Register Clear Time | | 2 | | 3 | | 4 | | 5 | | 6 | ns |
| t_{UIM} | Switch Matrix Delay | | 1 | | 1 | | 2 | | 2 | | 2 | ns |
| t_{RPA} | Reduced-power Adder ⁽²⁾ | | 10 | | 11 | | 13 | | 14 | | 15 | ns |

Notes: 1. See ordering information for valid part numbers.

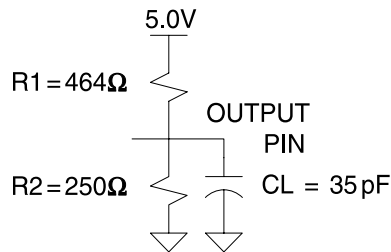
2. The t_{RPA} parameter must be added to the t_{LAD} , t_{LAC} , t_{TIC} , t_{ACL} , and t_{SEXP} parameters for macrocells running in the reduced-power mode.

Input Test Waveforms and Measurement Levels



t_R , $t_F = 1.5$ ns typical

Output AC Test Loads



Note: *Numbers in parenthesis refer to 3.0V operating conditions (preliminary).

Power-down Mode

The ATF1504AS includes an optional pin-controlled power-down feature. When this mode is enabled, the PD pin acts as the power-down pin. When the PD pin is high, the device supply current is reduced to less than 10 mA. During power-down, all output data and internal logic states are latched internally and held. Therefore, all registered and combinatorial output data remain valid. Any outputs that were in a high-Z state at the onset will remain at high-Z. During power-down, all input signals except the power-down pin are blocked. Input and I/O hold latches remain active to ensure that pins do not float to indeterminate levels, further reducing system power. The power-down mode feature is enabled in the logic design file or as a fitted or translated s/w option. Designs using the power-down pin may not use the PD pin as a logic array input. However, all other PD pin macrocell resources may still be used, including the buried feedback and foldback product term array inputs.

Power Down AC Characteristics⁽¹⁾⁽²⁾

| Symbol | Parameter | -7 | | -10 | | -15 | | -20 | | -25 | | Units |
|------------|---|-----|-----|-----|-----|-----|-----|-----|-----|-----|-----|-------|
| | | Min | Max | Min | Max | Min | Max | Min | Max | Min | Max | |
| t_{IVDH} | Valid I, I/O before PD High | 7 | | 10 | | 15 | | 20 | | 25 | | ns |
| t_{GVDH} | Valid OE ⁽²⁾ before PD High | 7 | | 10 | | 15 | | 20 | | 25 | | ns |
| t_{CVDH} | Valid Clock ⁽²⁾ before PD High | 7 | | 10 | | 15 | | 20 | | 25 | | ns |
| t_{DHIX} | I, I/O Don't Care after PD High | | 12 | | 15 | | 25 | | 30 | | 35 | ns |
| t_{DHGX} | OE ⁽²⁾ Don't Care after PD High | | 12 | | 15 | | 25 | | 30 | | 35 | ns |
| t_{DHCX} | Clock ⁽²⁾ Don't Care after PD High | | 12 | | 15 | | 25 | | 30 | | 35 | ns |
| t_{DLIV} | PD Low to Valid I, I/O | | 1 | | 1 | | 1 | | 1 | | 1 | μs |
| t_{DLGV} | PD Low to Valid OE (Pin or Term) | | 1 | | 1 | | 1 | | 1 | | 1 | μs |
| t_{DLCV} | PD Low to Valid Clock (Pin or Term) | | 1 | | 1 | | 1 | | 1 | | 1 | μs |
| t_{DLOV} | PD Low to Valid Output | | 1 | | 1 | | 1 | | 1 | | 1 | μs |

- Notes:
1. For slow slew outputs, add t_{SSO} .
 2. Pin or product term.
 3. Includes t_{RPA} due to reduced power bit enabled.



JTAG-BST/ISP Overview

The JTAG boundary-scan testing is controlled by the Test Access Port (TAP) controller in the ATF1504AS. The boundary-scan technique involves the inclusion of a shift-register stage (contained in a boundary-scan cell) adjacent to each component so that signals at component boundaries can be controlled and observed using scan testing principles. Each input pin and I/O pin has its own boundary-scan cell (BSC) in order to support boundary scan testing. The ATF1504AS does not currently include a Test Reset (TRST) input pin because the TAP controller is automatically reset at power-up. The five JTAG modes supported include: SAMPLE/PRELOAD, EXTEST, BYPASS, IDCODE and HIGHZ. The ATF1504AS's ISP can be fully described using JTAG's BSDL as described in IEEE Standard 1149.1b. This allows ATF1504AS programming to be described and implemented using any one of the third-party development tools supporting this standard.

The ATF1504AS has the option of using four JTAG-standard I/O pins for boundary-scan testing (BST) and in-system programming (ISP) purposes. The ATF1504AS is programmable through the four JTAG pins using the IEEE standard JTAG programming protocol established by IEEE Standard 1149.1 using 5V TTL-level programming signals from the ISP interface for in-system programming. The JTAG feature is a programmable option. If JTAG (BST or ISP) is not needed, then the four JTAG control pins are available as I/O pins.

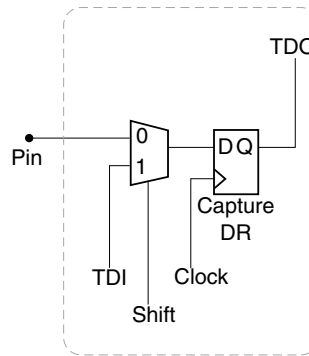
JTAG Boundary-scan Cell (BSC) Testing

The ATF1504AS contains up to 68 I/O pins and four input pins, depending on the device type and package type selected. Each input pin and I/O pin has its own boundary-scan cell (BSC) in order to support boundary-scan testing as described in detail by IEEE Standard 1149.1. A typical BSC consists of three capture registers or scan registers and up to two update registers. There are two types of BSCs, one for input or I/O pin, and one for the macrocells. The BSCs in the device are chained together through the capture registers. Input to the capture register chain is fed in from the TDI pin while the output is directed to the TDO pin. Capture registers are used to capture active device data signals, to shift data in and out of the device and to load data into the update registers. Control signals are generated internally by the JTAG TAP controller. The BSC configuration for the input and I/O pins and macrocells are shown below.

BSC Configuration for Input and I/O Pins (Except JTAG TAP Pins)



Note: The ATF1504AS has pull-up option on TMS and TDI pins. This feature is selected as a design option.

BSC Configuration for Macrocell**Pin BSC****Macrocell BSC**



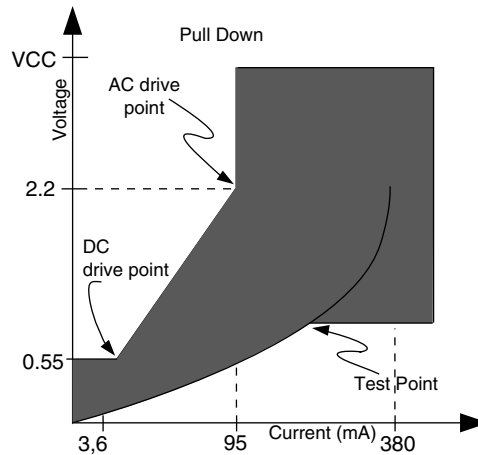
PCI Compliance

The ATF1504AS also supports the growing need in the industry to support the new Peripheral Component Interconnect (PCI) interface standard in PCI-based designs and specifications. The PCI interface calls for high current drivers, which are much larger than the traditional TTL drivers. In general, PLDs and FPGAs parallel outputs to support the high current load required by the PCI interface. The ATF1504AS allows this without contributing to system noise while delivering low output-to-output skew. Having a programmable high drive option is also possible without increasing output delay or pin capacitance. The PCI electrical characteristics appear on the next page.

PCI Voltage-to-current Curves for +5V Signaling in Pull-up Mode



PCI Voltage-to-current Curves for +5V Signaling in Pull-down Mode



PCI DC Characteristics

| Symbol | Parameter | Conditions | Min | Max | Units |
|--------------------|----------------------------|-------------------------------|------|-----------------------|-------|
| V _{CC} | Supply Voltage | | 4.75 | 5.25 | V |
| V _{IH} | Input High Voltage | | 2.0 | V _{CC} + 0.5 | V |
| V _{IL} | Input Low Voltage | | -0.5 | 0.8 | V |
| I _{IH} | Input High Leakage Current | V _{IN} = 2.7V | | 70 | μA |
| I _{IL} | Input Low Leakage Current | V _{IN} = 0.5V | | -70 | μA |
| V _{OH} | Output High Voltage | I _{OUT} = -2 mA | 2.4 | | V |
| V _{OL} | Output Low Voltage | I _{OUT} = 3 mA, 6 mA | | 0.55 | V |
| C _{IN} | Input Pin Capacitance | | | 10 | pF |
| C _{CLK} | CLK Pin Capacitance | | | 12 | pF |
| C _{IDSEL} | IDSEL Pin Capacitance | | | 8 | pF |
| L _{PIN} | Pin Inductance | | | 20 | nH |

Note: Leakage current is with pin-keeper off.

PCI AC Characteristics

| Symbol | Parameter | Conditions | Min | Max | Units |
|---------------------|------------------------------------|--|------------------------------------|------------|-------|
| I _{OH(AC)} | Switching Current High (Test High) | 0 < V _{OUT} ≤ 1.4 | -44 | | mA |
| | | 1.4 < V _{OUT} < 2.4 | -44+(V _{OUT} - 1.4)/0.024 | | mA |
| | | 3.1 < V _{OUT} < V _{CC} | | Equation A | mA |
| | | V _{OUT} = 3.1V | | -142 | μA |
| I _{OL(AC)} | Switching Current Low (Test Point) | V _{OUT} > 2.2V | 95 | | mA |
| | | 2.2 > V _{OUT} > 0 | V _{OUT} /0.023 | | mA |
| | | 0.1 > V _{OUT} > 0 | | Equation B | mA |
| | | V _{OUT} = 0.71 | | 206 | mA |
| I _{CL} | Low Clamp Current | -5 < V _{IN} ≤ -1 | -25+(V _{IN} + 1)/0.015 | | mA |
| SLEW _R | Output Rise Slew Rate | 0.4V to 2.4V load | 0.5 | 3 | V/ns |
| SLEW _F | Output Fall Slew Rate | 2.4V to 0.4V load | 0.5 | 3 | V/ns |

Notes: 1. Equation A: I_{OH} = 11.9 (V_{OUT} - 5.25) * (V_{OUT} + 2.45) for V_{CC} > V_{OUT} > 3.1V.
 2. Equation B: I_{OL} = 78.5 * V_{OUT} * (4.4 - V_{OUT}) for 0V < V_{OUT} < 0.71V.



ATF1504AS Dedicated Pinouts

| Dedicated Pin | 44-lead TQFP | 44-lead J-lead | 68-lead J-lead | 84-lead J-lead | 100-lead PQFP | 100-lead TQFP |
|--------------------|-----------------|-------------------|----------------------------------|----------------------------------|---|---|
| INPUT/OE2/GCLK2 | 40 | 2 | 2 | 2 | 92 | 90 |
| INPUT/GCLR | 39 | 1 | 1 | 1 | 91 | 89 |
| INPUT/OE1 | 38 | 44 | 68 | 84 | 90 | 88 |
| INPUT/GCLK1 | 37 | 43 | 67 | 83 | 89 | 87 |
| I/O /GCLK3 | 35 | 41 | 65 | 81 | 87 | 85 |
| I/O/PD (1,2) | 5, 19 | 11, 25 | 17, 37 | 20, 46 | 14, 44 | 12, 42 |
| I/O/TDI (JTAG) | 1 | 7 | 12 | 14 | 6 | 4 |
| I/O/TMS (JTAG) | 7 | 13 | 19 | 23 | 17 | 15 |
| I/O/TCK (JTAG) | 26 | 32 | 50 | 62 | 64 | 62 |
| I/O/TDO (JTAG) | 32 | 38 | 57 | 71 | 75 | 73 |
| GND | 4, 16, 24, 36 | 10, 22, 30, 42 | 6, 16, 26, 34, 38, 48, 58, 66 | 7, 19, 32, 42, 47, 59, 72, 82 | 13, 28, 40, 45, 61, 76, 88, 97 | 11, 26, 38, 43, 59, 74, 86, 95 |
| V _{CCINT} | 9, 17, 29, 41 | 3, 15, 23, 35 | 3, 35 | 3, 43 | 41, 93 | 39, 91 |
| V _{CCIO} | – | – | 11, 21, 31, 43, 53, 63 | 13, 26, 38, 53, 66, 78 | 5, 20, 36, 53, 68, 84 | 3, 18, 34, 51, 66, 82 |
| N/C | – | – | – | – | 1, 2, 7, 9, 24, 26, 29, 30, 51, 52, 55, 57, 72, 74, 79, 80 | 1, 2, 5, 7, 22, 24, 27, 28, 49, 50, 53, 55, 70, 72, 77, 78 |
| # of Signal Pins | 36 | 36 | 52 | 68 | 68 | 68 |
| # User I/O Pins | 32 | 32 | 48 | 64 | 64 | 64 |

OE (1, 2)

Global OE Pins

GCLR

Global Clear Pin

GCLK (1, 2, 3)

Global Clock Pins

PD (1, 2)

Power down pins

TDI, TMS, TCK, TDO

JTAG pins used for boundary-scan testing or in-system programming

GND

Ground Pins

V_{CCINT}

VCC pins for the device (+5V - Internal)

V_{CCIO}

VCC pins for output drivers (for I/O pins) (+5V or 3.3V - I/Os)

ATF1504AS I/O Pinouts

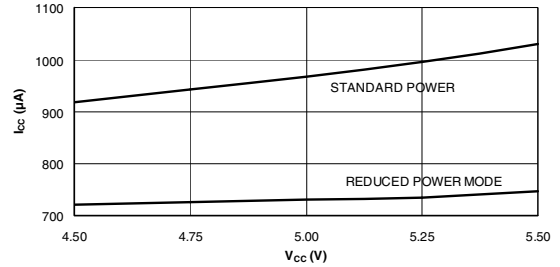
| MC | PLC | 44-lead PLCC | 44-lead TQFP | 68-lead PLCC | 84-lead PLCC | 100-lead PQFP | 100-lead TQFP | MC | PLC | 44-lead PLCC | 44-lead TQFP | 68-lead PLCC | 84-lead PLCC | 100-lead PQFP | 100-lead TQFP |
|------------|-----------|--------------|--------------|--------------|--------------|---------------|---------------|------------|-------------|--------------|--------------|--------------|--------------|---------------|---------------|
| 1 | A | 12 | 6 | 18 | 22 | 16 | 14 | 33 | C | 24 | 18 | 36 | 44 | 42 | 40 |
| 2 | A | – | – | – | 21 | 15 | 13 | 34 | C | – | – | – | 45 | 43 | 41 |
| 3 | A/ PD1 | 11 | 5 | 17 | 20 | 14 | 12 | 35 | C/ PD2 | 25 | 19 | 37 | 46 | 44 | 42 |
| 4 | A | 9 | 3 | 15 | 18 | 12 | 10 | 36 | C | 26 | 20 | 39 | 48 | 46 | 44 |
| 5 | A | 8 | 2 | 14 | 17 | 11 | 9 | 37 | C | 27 | 21 | 40 | 49 | 47 | 45 |
| 6 | A | – | – | 13 | 16 | 10 | 8 | 38 | C | – | – | 41 | 50 | 48 | 46 |
| 7 | A | – | – | – | 15 | 8 | 6 | 39 | C | – | – | – | 51 | 49 | 47 |
| 8/ TDI | A | 7 | 1 | 12 | 14 | 6 | 4 | 40 | C | 28 | 22 | 42 | 52 | 50 | 48 |
| 9 | A | – | – | 10 | 12 | 4 | 100 | 41 | C | 29 | 23 | 44 | 54 | 54 | 52 |
| 10 | A | – | – | – | 11 | 3 | 99 | 42 | C | – | – | – | 55 | 56 | 54 |
| 11 | A | 6 | 44 | 9 | 10 | 100 | 98 | 43 | C | – | – | 45 | 56 | 58 | 56 |
| 12 | A | – | – | 8 | 9 | 99 | 97 | 44 | C | – | – | 46 | 57 | 59 | 57 |
| 13 | A | – | – | 7 | 8 | 98 | 96 | 45 | C | – | – | 47 | 58 | 60 | 58 |
| 14 | A | 5 | 43 | 5 | 6 | 96 | 94 | 46 | C | 31 | 25 | 49 | 60 | 62 | 60 |
| 15 | A | – | – | – | 5 | 95 | 93 | 47 | C | – | – | – | 61 | 63 | 61 |
| 16 | A | 4 | 42 | 4 | 4 | 94 | 92 | 48/ TCK | C | 32 | 26 | 50 | 62 | 64 | 62 |
| 17 | B | 21 | 15 | 33 | 41 | 39 | 37 | 49 | D | 33 | 27 | 51 | 63 | 65 | 63 |
| 18 | B | – | – | – | 40 | 38 | 36 | 50 | D | – | – | – | 64 | 66 | 64 |
| 19 | B | 20 | 14 | 32 | 39 | 37 | 35 | 51 | D | 34 | 28 | 52 | 65 | 67 | 65 |
| 20 | B | 19 | 13 | 30 | 37 | 35 | 33 | 52 | D | 36 | 30 | 54 | 67 | 69 | 67 |
| 21 | B | 18 | 12 | 29 | 36 | 34 | 32 | 53 | D | 37 | 31 | 55 | 68 | 70 | 68 |
| 22 | B | – | – | 28 | 35 | 33 | 31 | 54 | D | – | – | 56 | 69 | 71 | 69 |
| 23 | B | – | – | – | 34 | 32 | 30 | 55 | D | – | – | – | 70 | 73 | 71 |
| 24 | B | 17 | 11 | 27 | 33 | 31 | 29 | 56/ TDO | D | 38 | 32 | 57 | 71 | 75 | 73 |
| 25 | B | 16 | 10 | 25 | 31 | 27 | 25 | 57 | D | 39 | 33 | 59 | 73 | 77 | 75 |
| 26 | B | – | – | – | 30 | 25 | 23 | 58 | D | – | – | – | 74 | 78 | 76 |
| 27 | B | – | – | 24 | 29 | 23 | 21 | 59 | D | – | – | 60 | 75 | 81 | 79 |
| 28 | B | – | – | 23 | 28 | 22 | 20 | 60 | D | – | – | 61 | 76 | 82 | 80 |
| 29 | B | – | – | 22 | 27 | 21 | 19 | 61 | D | – | – | 62 | 77 | 83 | 81 |
| 30 | B | 14 | 8 | 20 | 25 | 19 | 17 | 62 | D | 40 | 34 | 64 | 79 | 85 | 83 |
| 31 | B | – | – | – | 24 | 18 | 16 | 63 | D | – | – | – | 80 | 86 | 84 |
| 32/ TMS | B | 13 | 7 | 19 | 23 | 17 | 15 | 64 | D/ GCLK3 | 41 | 35 | 65 | 81 | 87 | 85 |



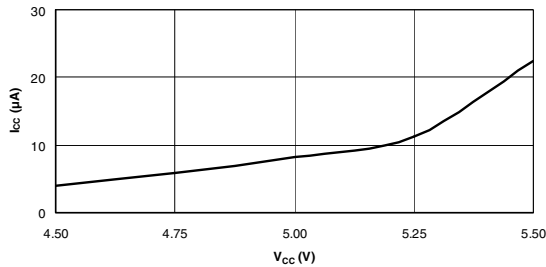
SUPPLY CURRENT VS. SUPPLY VOLTAGE
($T_A = 25^\circ\text{C}$, $F = 0$)



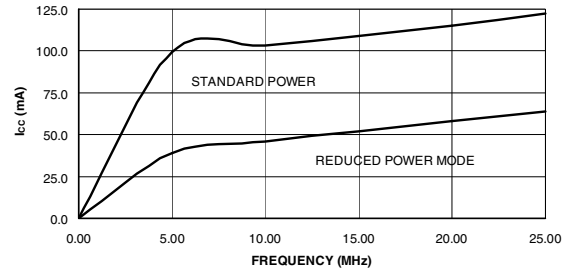
SUPPLY CURRENT VS. SUPPLY VOLTAGE
PIN-CONTROLLED POWER-DOWN MODE
($T_A = 25^\circ\text{C}$, $F = 0$)



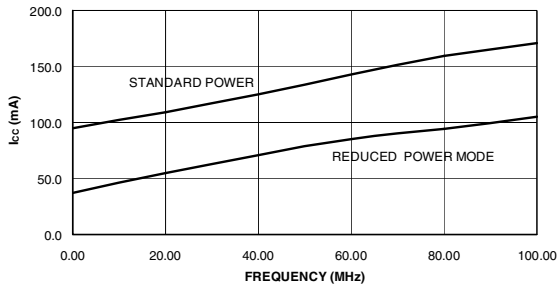
SUPPLY CURRENT VS. SUPPLY VOLTAGE
LOW-POWER ("L") VERSION
($T_A = 25^\circ\text{C}$, $F = 0$)



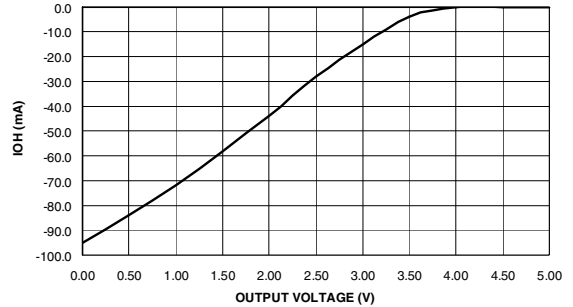
SUPPLY CURRENT VS. FREQUENCY
LOW-POWER ("L") VERSION
LOW POWER ($T_A = 25^\circ\text{C}$)



SUPPLY CURRENT VS. FREQUENCY
STANDARD POWER ($T_A = 25^\circ\text{C}$)



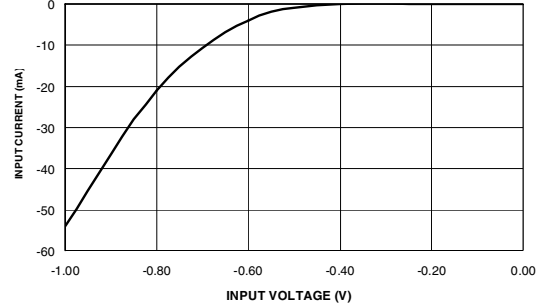
OUTPUT SOURCE CURRENT VS. OUTPUT VOLTAGE
($V_{CC} = 5\text{V}$, $T_A = 25^\circ\text{C}$)



OUTPUT SOURCE CURRENT VS. SUPPLY VOLTAGE
($V_{OH} = 2.4\text{V}$, $T_A = 25^\circ\text{C}$)



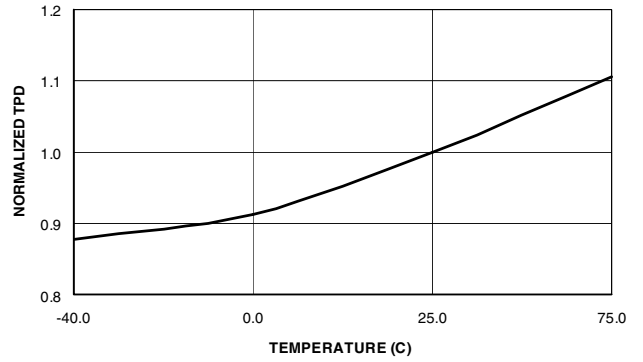
INPUT CLAMP CURRENT VS. INPUT VOLTAGE
($V_{CC} = 5\text{V}$, $T_A = 25^\circ\text{C}$)



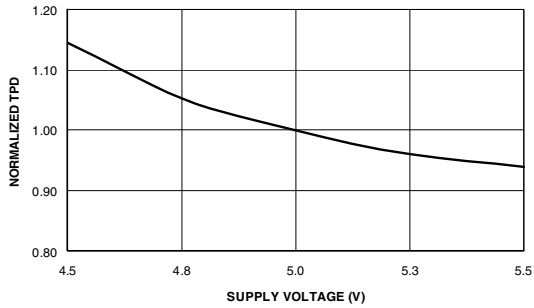
OUTPUT SINK CURRENT VS. SUPPLY VOLTAGE
(VOL = 0.5V, T_A = 25°C)



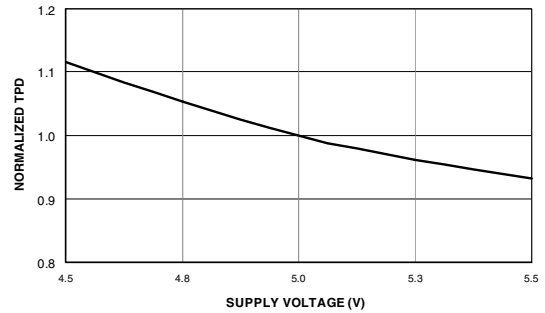
NORMALIZED TPD
VS. TEMPERATURE (V_{CC} = 5.0V)



NORMALIZED TPD
VS. SUPPLY VOLTAGE (T_A = 25°C)



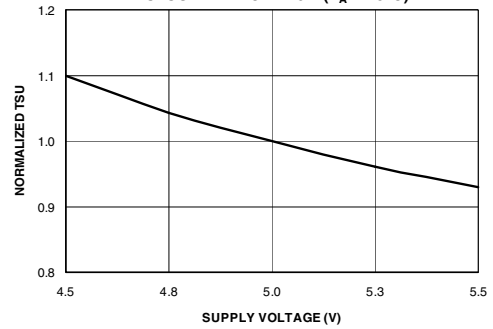
NORMALIZED TCO
VS. SUPPLY VOLTAGE (T_A = 25°C)



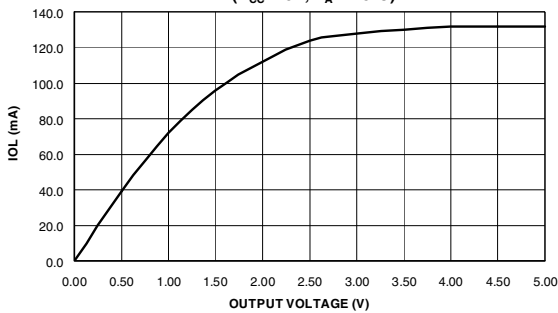
INPUT CURRENT VS. INPUT VOLTAGE
(V_{CC} = 5V, T_A = 25°C)

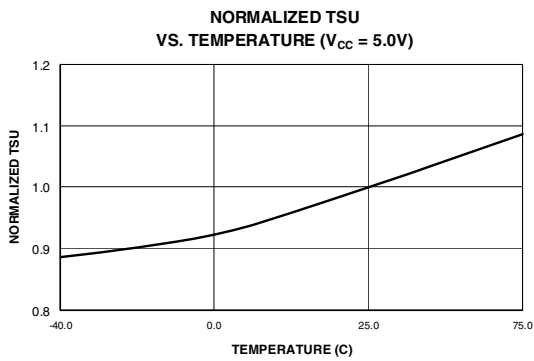
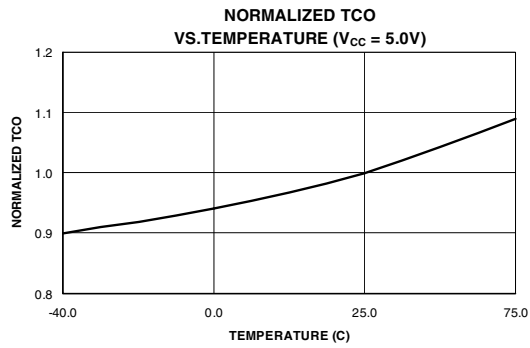


NORMALIZED TSU
VS. SUPPLY VOLTAGE (T_A = 25°C)



OUTPUT SINK CURRENT VS. OUTPUT VOLTAGE
(V_{CC} = 5V, T_A = 25°C)





ATF1504AS Ordering Information

| t_{PD} (ns) | t_{CO1} (ns) | f_{MAX} (MHz) | Ordering Code | Package | Operation Range |
|------------------|-------------------|--------------------|--|---|--------------------------------|
| 7.5 | 4.5 | 166.7 | ATF1504AS-7 AC44 ATF1504AS-7 JC44 ATF1504AS-7 JC68 ATF1504AS-7 JC84 ATF1504AS-7 QC100 ATF1504AS-7 AC100 | 44A 44J 68J 84J 100Q1 100A | Commercial (0°C to 70°C) |
| 10 | 5 | 125 | ATF1504AS-10 AC44 ATF1504AS-10 JC44 ATF1504AS-10 JC68 ATF1504AS-10 JC84 ATF1504AS-10 QC100 ATF1504AS-10 AC100 | 44A 44J 68J 84J 100Q1 100A | Commercial (0°C to 70°C) |
| 10 | 5 | 125 | ATF1504AS-10 AI44 ATF1504AS-10 JI44 ATF1504AS-10 JI68 ATF1504AS-10 JI84 ATF1504AS-10 QI100 ATF1504AS-10 AI100 | 44A 44J 68J 84J 100Q1 100A | Industrial (-40°C to +85°C) |
| 15 | 8 | 100 | ATF1504AS-15 AC44 ATF1504AS-15 JC44 ATF1504AS-15 JC68 ATF1504AS-15 JC84 ATF1504AS-15 QC100 ATF1500AS-15 AC100 | 44A 44J 68J 84J 100Q1 100A | Commercial (0°C to 70°C) |
| 15 | 8 | 100 | ATF1504AS-15 AI44 ATF1504AS-15 JI44 ATF1504AS-15 JI68 ATF1504AS-15 JI84 ATF1504AS-15 QI100 ATF1504AS-15 AI100 | 44A 44J 68J 84J 100Q1 100A | Industrial (-40°C to +85°C) |

Using “C” Product for Industrial

To use commercial product for Industrial temperature ranges, down-grade one speed grade from the “I” to the “C” device (7 ns “C” = 10 ns “I”) and de-rate power by 30%.

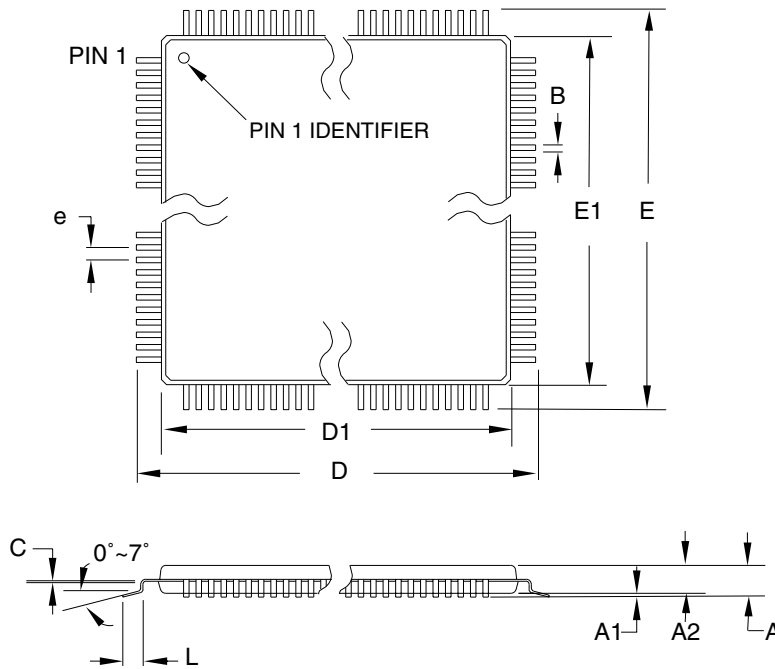


ATF1504ASL Ordering Information

| t_{PD} (ns) | t_{CO1} (ns) | f_{MAX} (MHz) | Ordering Code | Package | Operation Range |
|------------------|-------------------|--------------------|--|---|--------------------------------|
| 20 | 12 | 83.3 | ATF1504ASL-20 AC44 ATF1504ASL-20 JC44 ATF1504ASL-20 JC68 ATF1504ASL-20 JC84 ATF1504ASL-20 QC100 ATF1504ASL-20 AC100 | 44A 44J 68J 84J 100Q1 100A | Commercial (0°C to 70°C) |
| 25 | 15 | 70 | ATF1504ASL-25 AI44 ATF1504ASL-25 JI84 ATF1504ASL-25 JI68 ATF1504ASL-25 JI84 ATF1504ASL-25 QI100 ATF1504ASL-25 AI100 | 44A 44J 68J 84J 100Q1 100A | Industrial (-40°C to +85°C) |

Using “C” Product for Industrial

To use commercial product for Industrial temperature ranges, down-grade one speed grade from the “I” to the “C” device (7 ns “C” = 10 ns “I”) and de-rate power by 30%.

Packaging Information**44A – TQFP**

COMMON DIMENSIONS
(Unit of Measure = mm)

| SYMBOL | MIN | NOM | MAX | NOTE |
|--------|----------|-------|-------|--------|
| A | – | – | 1.20 | |
| A1 | 0.05 | – | 0.15 | |
| A2 | 0.95 | 1.00 | 1.05 | |
| D | 11.75 | 12.00 | 12.25 | |
| D1 | 9.90 | 10.00 | 10.10 | Note 2 |
| E | 11.75 | 12.00 | 12.25 | |
| E1 | 9.90 | 10.00 | 10.10 | Note 2 |
| B | 0.30 | – | 0.45 | |
| C | 0.09 | – | 0.20 | |
| L | 0.45 | – | 0.75 | |
| e | 0.80 TYP | | | |

- Notes:
1. This package conforms to JEDEC reference MS-026, Variation ACB.
 2. Dimensions D1 and E1 do not include mold protrusion. Allowable protrusion is 0.25 mm per side. Dimensions D1 and E1 are maximum plastic body size dimensions including mold mismatch.
 3. Lead coplanarity is 0.10 mm maximum.

10/5/2001



2325 Orchard Parkway
San Jose, CA 95131

TITLE

44A, 44-lead, 10 x 10 mm Body Size, 1.0 mm Body Thickness,
0.8 mm Lead Pitch, Thin Profile Plastic Quad Flat Package (TQFP)

DRAWING NO.

44A

REV.

B



44J – PLCC



COMMON DIMENSIONS
(Unit of Measure = mm)

| SYMBOL | MIN | NOM | MAX | NOTE |
|--------|-----------|-----|--------|--------|
| A | 4.191 | – | 4.572 | |
| A1 | 2.286 | – | 3.048 | |
| A2 | 0.508 | – | – | |
| D | 17.399 | – | 17.653 | |
| D1 | 16.510 | – | 16.662 | Note 2 |
| E | 17.399 | – | 17.653 | |
| E1 | 16.510 | – | 16.662 | Note 2 |
| D2/E2 | 14.986 | – | 16.002 | |
| B | 0.660 | – | 0.813 | |
| B1 | 0.330 | – | 0.533 | |
| e | 1.270 TYP | | | |

- Notes:
1. This package conforms to JEDEC reference MS-018, Variation AC.
 2. Dimensions D1 and E1 do not include mold protrusion. Allowable protrusion is .010" (0.254 mm) per side. Dimension D1 and E1 include mold mismatch and are measured at the extreme material condition at the upper or lower parting line.
 3. Lead coplanarity is 0.004" (0.102 mm) maximum.

10/04/01



2325 Orchard Parkway
San Jose, CA 95131

TITLE

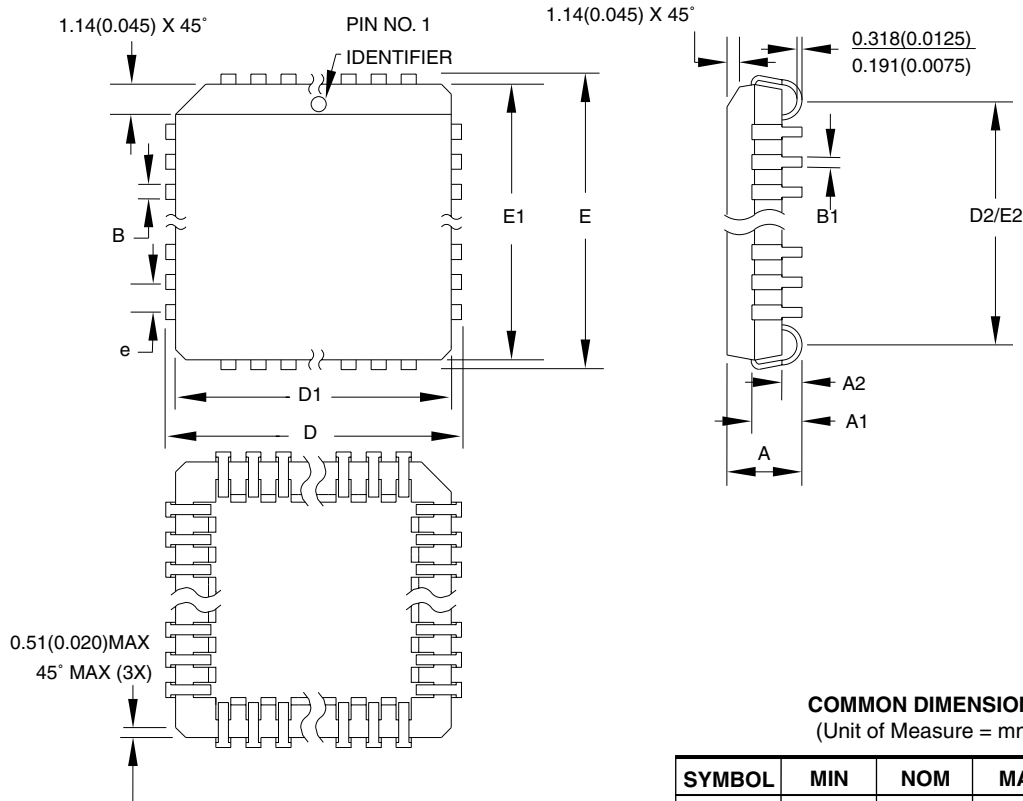
44J, 44-lead, Plastic J-leaded Chip Carrier (PLCC)

DRAWING NO.

44J

REV.

B

68J – PLCC

COMMON DIMENSIONS
(Unit of Measure = mm)

| SYMBOL | MIN | NOM | MAX | NOTE |
|--------|-----------|-----|--------|--------|
| A | 4.191 | – | 4.572 | |
| A1 | 2.286 | – | 3.048 | |
| A2 | 0.508 | – | – | |
| D | 25.019 | – | 25.273 | |
| D1 | 24.130 | – | 24.333 | Note 2 |
| E | 25.019 | – | 25.273 | |
| E1 | 24.130 | – | 24.333 | Note 2 |
| D2/E2 | 22.606 | – | 23.622 | |
| B | 0.660 | – | 0.813 | |
| B1 | 0.330 | – | 0.533 | |
| e | 1.270 TYP | | | |

- Notes:
1. This package conforms to JEDEC reference MS-018, Variation AE.
 2. Dimensions D1 and E1 do not include mold protrusion. Allowable protrusion is .010" (0.254 mm) per side. Dimension D1 and E1 include mold mismatch and are measured at the extreme material condition at the upper or lower parting line.
 3. Lead coplanarity is 0.004" (0.102 mm) maximum.

10/04/01



2325 Orchard Parkway
San Jose, CA 95131

TITLE

68J, 68-lead, Plastic J-leaded Chip Carrier (PLCC)

DRAWING NO.

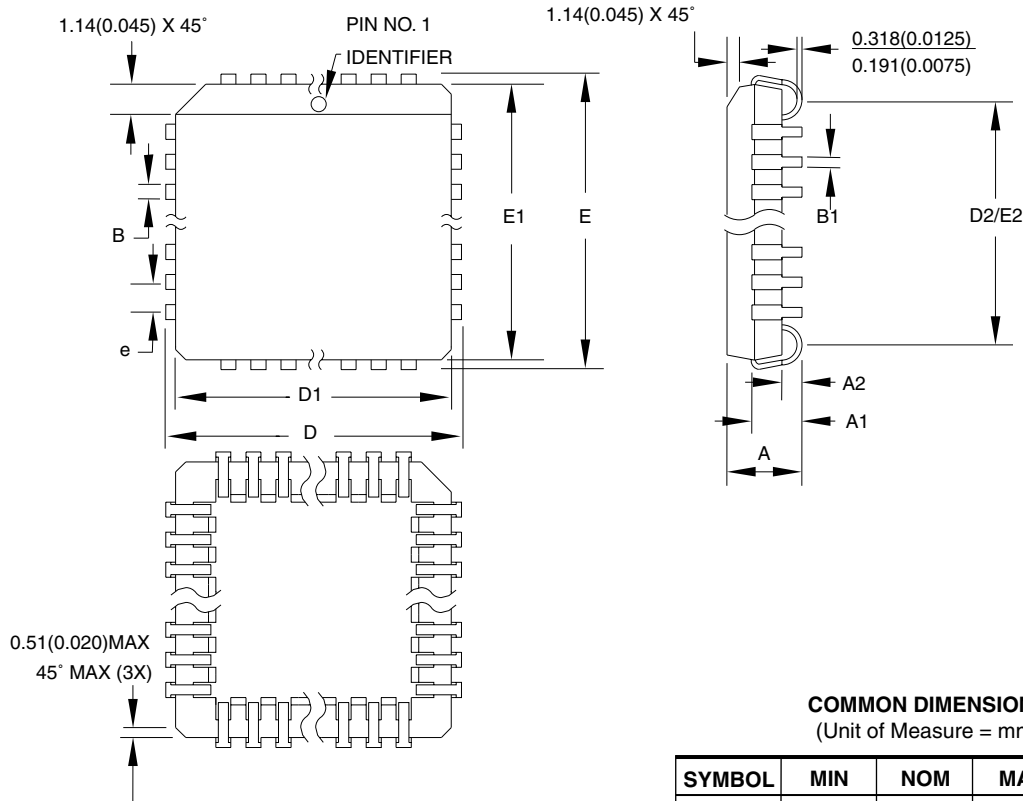
68J

REV.

B



84J – PLCC



COMMON DIMENSIONS
(Unit of Measure = mm)

| SYMBOL | MIN | NOM | MAX | NOTE |
|--------|-----------|-----|--------|--------|
| A | 4.191 | – | 4.572 | |
| A1 | 2.286 | – | 3.048 | |
| A2 | 0.508 | – | – | |
| D | 30.099 | – | 30.353 | |
| D1 | 29.210 | – | 29.413 | Note 2 |
| E | 30.099 | – | 30.353 | |
| E1 | 29.210 | – | 29.413 | Note 2 |
| D2/E2 | 27.686 | – | 28.702 | |
| B | 0.660 | – | 0.813 | |
| B1 | 0.330 | – | 0.533 | |
| e | 1.270 TYP | | | |

- Notes:
1. This package conforms to JEDEC reference MS-018, Variation AF.
 2. Dimensions D1 and E1 do not include mold protrusion. Allowable protrusion is .010" (0.254 mm) per side. Dimension D1 and E1 include mold mismatch and are measured at the extreme material condition at the upper or lower parting line.
 3. Lead coplanarity is 0.004" (0.102 mm) maximum.

10/04/01



2325 Orchard Parkway
San Jose, CA 95131

TITLE

84J, 84-lead, Plastic J-leaded Chip Carrier (PLCC)

DRAWING NO.

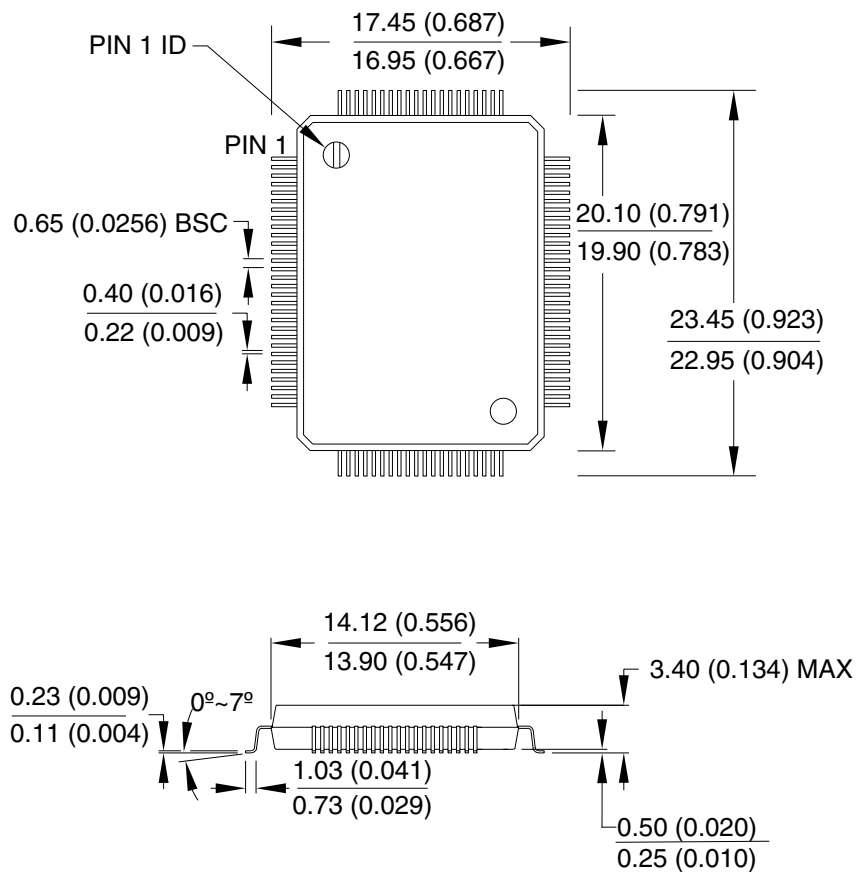
84J

REV.

B

100Q1 – PQFP

Dimensions in Millimeters and (Inches)*
 *Controlling dimensions: millimeters
 JEDEC STANDARD MS-022, GC-1



04/11/2001



2325 Orchard Parkway
 San Jose, CA 95131

TITLE

100Q1, 100-lead, 14 x 20 mm Body, 3.2 mm Footprint, 0.65 mm Pitch,
 Plastic Quad Flat Package (PQFP)

DRAWING NO.

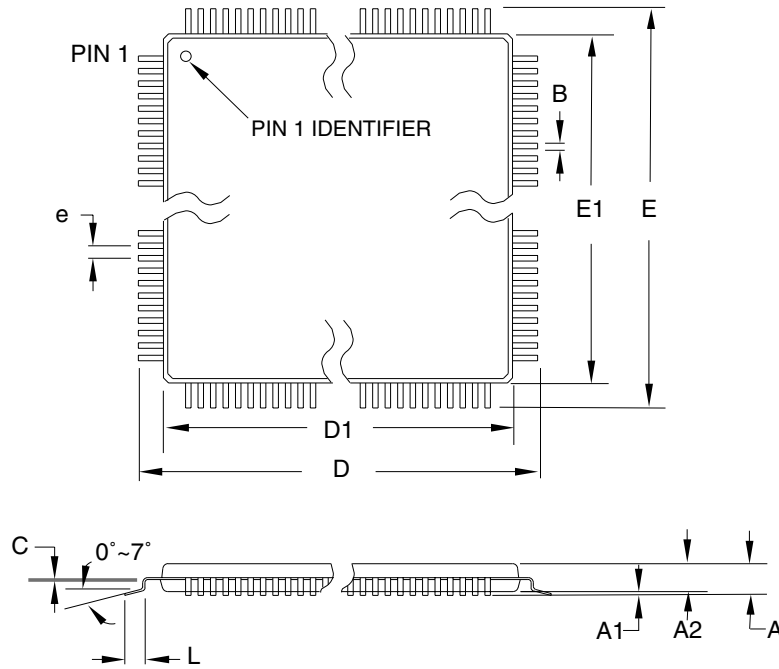
100Q1

REV.

A



100A – TQFP



COMMON DIMENSIONS
(Unit of Measure = mm)

| SYMBOL | MIN | NOM | MAX | NOTE |
|--------|----------|-------|-------|--------|
| A | – | – | 1.20 | |
| A1 | 0.05 | – | 0.15 | |
| A2 | 0.95 | 1.00 | 1.05 | |
| D | 15.75 | 16.00 | 16.25 | |
| D1 | 13.90 | 14.00 | 14.10 | Note 2 |
| E | 15.75 | 16.00 | 16.25 | |
| E1 | 13.90 | 14.00 | 14.10 | Note 2 |
| B | 0.17 | – | 0.27 | |
| C | 0.09 | – | 0.20 | |
| L | 0.45 | – | 0.75 | |
| e | 0.50 TYP | | | |

- Notes:
1. This package conforms to JEDEC reference MS-026, Variation AED.
 2. Dimensions D1 and E1 do not include mold protrusion. Allowable protrusion is 0.25 mm per side. Dimensions D1 and E1 are maximum plastic body size dimensions including mold mismatch.
 3. Lead coplanarity is 0.08 mm maximum.

10/5/2001

| | | | |
|--|--|--------------------|-------------|
| 2325 Orchard Parkway San Jose, CA 95131 | TITLE | DRAWING NO. | REV. |
| | 100A , 100-lead, 14 x 14 mm Body Size, 1.0 mm Body Thickness, 0.5 mm Lead Pitch, Thin Profile Plastic Quad Flat Package (TQFP) | 100A | C |



Atmel Headquarters

Corporate Headquarters

2325 Orchard Parkway
San Jose, CA 95131
TEL 1(408) 441-0311
FAX 1(408) 487-2600

Europe

Atmel Sarl
Route des Arsenaux 41
Case Postale 80
CH-1705 Fribourg
Switzerland
TEL (41) 26-426-5555
FAX (41) 26-426-5500

Asia

Room 1219
Chinachem Golden Plaza
77 Mody Road Tsimshatsui
East Kowloon
Hong Kong
TEL (852) 2721-9778
FAX (852) 2722-1369

Japan

9F, Tonetsu Shinkawa Bldg.
1-24-8 Shinkawa
Chuo-ku, Tokyo 104-0033
Japan
TEL (81) 3-3523-3551
FAX (81) 3-3523-7581

Atmel Operations

Memory

2325 Orchard Parkway
San Jose, CA 95131
TEL 1(408) 441-0311
FAX 1(408) 436-4314

Microcontrollers

2325 Orchard Parkway
San Jose, CA 95131
TEL 1(408) 441-0311
FAX 1(408) 436-4314

La Chantrerie
BP 70602
44306 Nantes Cedex 3, France
TEL (33) 2-40-18-18-18
FAX (33) 2-40-18-19-60

ASIC/ASSP/Smart Cards

Zone Industrielle
13106 Rousset Cedex, France
TEL (33) 4-42-53-60-00
FAX (33) 4-42-53-60-01

1150 East Cheyenne Mtn. Blvd.
Colorado Springs, CO 80906
TEL 1(719) 576-3300
FAX 1(719) 540-1759

Scottish Enterprise Technology Park
Maxwell Building
East Kilbride G75 0QR, Scotland
TEL (44) 1355-803-000
FAX (44) 1355-242-743

RF/Automotive

Theresienstrasse 2
Postfach 3535
74025 Heilbronn, Germany
TEL (49) 71-31-67-0
FAX (49) 71-31-67-2340

1150 East Cheyenne Mtn. Blvd.
Colorado Springs, CO 80906
TEL 1(719) 576-3300
FAX 1(719) 540-1759

Biometrics/Imaging/Hi-Rel MPU/ High Speed Converters/RF Datacom

Avenue de Rochepleine
BP 123
38521 Saint-Egreve Cedex, France
TEL (33) 4-76-58-30-00
FAX (33) 4-76-58-34-80

e-mail

literature@atmel.com

Web Site

<http://www.atmel.com>

© Atmel Corporation 2002.

Atmel Corporation makes no warranty for the use of its products, other than those expressly contained in the Company's standard warranty which is detailed in Atmel's Terms and Conditions located on the Company's web site. The Company assumes no responsibility for any errors which may appear in this document, reserves the right to change devices or specifications detailed herein at any time without notice, and does not make any commitment to update the information contained herein. No licenses to patents or other intellectual property of Atmel are granted by the Company in connection with the sale of Atmel products, expressly or by implication. Atmel's products are not authorized for use as critical components in life support devices or systems.

ATMEL® is the registered trademark of Atmel.

Other terms and product names may be the trademarks of others.



Printed on recycled paper.

OUR CERTIFICATE

DiGi provide top-quality products and perfect service for customer worldwide through standardization, technological innovation and continuous improvement. DiGi through third-party certification, we stricly control the quality of products and services. Welcome your RFQ to

Email: Info@DiGi-Electronics.com



Tel: +00 852-30501935

RFQ Email: Info@DiGi-Electronics.com

DiGi is a global authorized distributor of electronic components.