

DSC400-1111Q0121KI1T Datasheet



DiGi Electronics Part Number	DSC400-1111Q0121KI1T-DG
Manufacturer	Microchip Technology
Manufacturer Product Number	DSC400-1111Q0121KI1T
Description	IC CLOCK GENERATOR 20QFN
Detailed Description	Clock Generator IC 176.875MHz 2 20-VFQFN Exposed Pad

<https://www.DiGi-Electronics.com>



Tel: +00 852-30501935

RFQ Email: Info@DiGi-Electronics.com

DiGi is a global authorized distributor of electronic components.

Purchase and inquiry

Manufacturer Product Number:

DSC400-1111Q0121KI1T

Series:

DSC400

DiGi-Electronics Programmable:

Not Verified

PLL:

Yes

Output:

HCSL, LVCMOS, LVDS, LVPECL

Ratio - Input:Output:

2:4

Frequency - Max:

176.875MHz

Voltage - Supply:

2.25V ~ 3.6V

Mounting Type:

Surface Mount

Supplier Device Package:

20-QFN (5x3.2)

Manufacturer:

Microchip Technology

Product Status:

Active

Type:

Clock Generator

Input:

Clock

Number of Circuits:

2

Differential - Input:Output:

No/Yes

Divider/Multiplier:

Yes/No

Operating Temperature:

-40°C ~ 85°C

Package / Case:

20-VFQFN Exposed Pad

Base Product Number:

DSC400

Environmental & Export classification

RoHS Status:

ROHS3 Compliant

ECCN:

EAR99

REACH Status:

REACH Unaffected

HTSUS:

8542.39.0001



DSC400

Configurable Four Output, Low Jitter Crystal-less™ Clock Generator

Features

- Low RMS Phase Jitter: <math><1\text{ ps}</math> (typ.)
- High Stability: $\pm 25\text{ ppm}$, $\pm 50\text{ ppm}$
- Wide Temperature Range:
 - Industrial -40°C to $+85^{\circ}\text{C}$
 - Ext. Commercial -20°C to $+70^{\circ}\text{C}$
- High Supply Noise Rejection: -50 dBc
- Four Format-Configurable Outputs:
 - LVPECL, LVDS, HCSL, LVCMOS
- Available Pin-Selectable Frequency Table
 - 1 Pin per Bank for 2 Frequency Sets
- Wide Frequency Range:
 - 2.3 MHz – 460 MHz
- 20-Pin QFN Footprint (5.0 mm x 3.2 mm)
- Excellent Shock and Vibration Immunity
- High Reliability
 - 20x better MTF than quartz-based devices
- Wide Supply Range of 2.25V to 3.6V
- Lead Free and RoHS-Compliant
- AEC-Q100 Automotive Qualified

Applications

- Communications and Networks
- Ethernet
 - 1G, 10GBASE-T/KR/LR/SR, and FCoE
- Storage Area Networks
 - SATA, SAS, Fibre Channel
- Passive Optical Networks
 - EPON, 10G-EPON, GPON, 10G-PON
- HD/SD/SDI Video and Surveillance
- Automotive
- Media and Video
- Embedded and Industrial

General Description

The DSC400 is a four output crystal-less™ clock generator. It utilizes proven PureSilicon™ MEMS technology to provide excellent jitter and stability while incorporating additional device functionality.

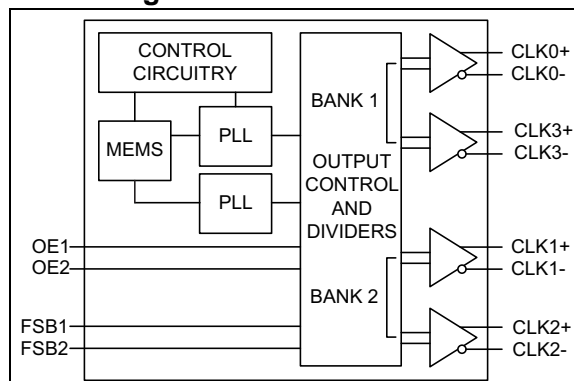
The nominal frequencies of the outputs can be identical or independently derived from common PLLs.

Each output may be configured independently to support a single-ended LVCMOS interface or a differential interface. Differential options include LVPECL, LVDS, or HCSL.

The DSC400 provides two independent select lines for choosing between two sets of pre-configured frequencies per bank. It also has two OE pins to allow for enabling and disabling outputs.

The DSC400 is packaged in a 20-pin QFN (5 mm x 3.2 mm) and is available in extended commercial and industrial temperature grades.

Block Diagram



DSC400

1.0 ELECTRICAL CHARACTERISTICS

Absolute Maximum Ratings †

Supply Voltage	-0.3V to +4.0V
Input Voltage	-0.3V to $V_{DD}+0.3V$
ESD Protection (HBM)4 kV
ESD Protection (MM)	400V
ESD Protection (CDM)	1.5 kV

† **Notice:** Stresses above those listed under “Absolute Maximum Ratings” may cause permanent damage to the device. This is a stress rating only and functional operation of the device at those or any other conditions above those indicated in the operational sections of this specification is not intended. Exposure to maximum rating conditions for extended periods may affect device reliability.

ELECTRICAL CHARACTERISTICS

Specifications: $V_{DD} = 3.3V$; $T_A = +25^{\circ}C$ unless otherwise specified.

Parameters	Sym.	Min.	Typ.	Max.	Units	Conditions
Supply Voltage (Note 1)	V_{DD}	2.25	—	3.6	V	—
Core Supply Current (Note 2)	I_{DDCORE}	—	40	44	mA	OE(1:2) = 0. All outputs disabled.
Frequency Stability	Δf	—	—	± 25	ppm	All temperature and V_{DD} ranges.
		—	—	± 50		
Aging - First Year	Δf_{Y1}	—	—	± 5	ppm	One year at $+25^{\circ}C$
Aging - After First Year	Δf_{Y2+}	—	—	$< \pm 1$	ppm/yr	Year two and beyond at $+25^{\circ}C$
Start-up Time (Note 3)	t_{SU}	—	—	5	ms	$T = +25^{\circ}C$
Input Logic Levels	V_{IH}	$0.75 \times V_{DD}$	—	—	V	Input logic high
	V_{IL}	—	—	$0.25 \times V_{DD}$		Input logic low
Output Disable Time (Note 4)	t_{DA}	—	—	5	ns	OE(1:2) transition from 1 to 0
Output Enable Time (Note 4)	t_{EN}	—	—	20	ns	OE(1:2) transition from 0 to 1
Pull-Up Resistor	R_{PU}	—	40	—	k Ω	All input pins have an internal pull-up

- Note 1:** V_{DD} pins should be filtered with a 0.1 μF capacitor connected between V_{DD} and V_{SS} .
Note 2: The addition of I_{DDCORE} and I_{DDIO} provides the total current consumption of the device.
Note 3: t_{SU} is time to 100 ppm stable output frequency after V_{DD} is applied and outputs are enabled.
Note 4: See the [Output Waveform](#) section for more information.

TEMPERATURE SPECIFICATIONS (Note 1)

Parameters	Sym.	Min.	Typ.	Max.	Units	Conditions
Temperature Ranges						
Operating Temperature Range (T)	T _A	-20	—	+70	°C	Ordering Option E
	T _A	-40	—	+85	°C	Ordering Option I
Junction Temperature	T _J	—	—	+150	°C	—
Storage Temperature Range	T _S	-40	—	+150	°C	—
Soldering Temperature	—	—	—	+260	°C	40 sec. max.

Note 1: The maximum allowable power dissipation is a function of ambient temperature, the maximum allowable junction temperature, and the thermal resistance from junction to air (i.e., T_A, T_J, θ_{JA}). Exceeding the maximum allowable power dissipation will cause the device operating junction temperature to exceed the maximum +125°C rating. Sustained junction temperatures above +125°C can impact the device reliability.

DSC400

2.0 PIN DESCRIPTIONS

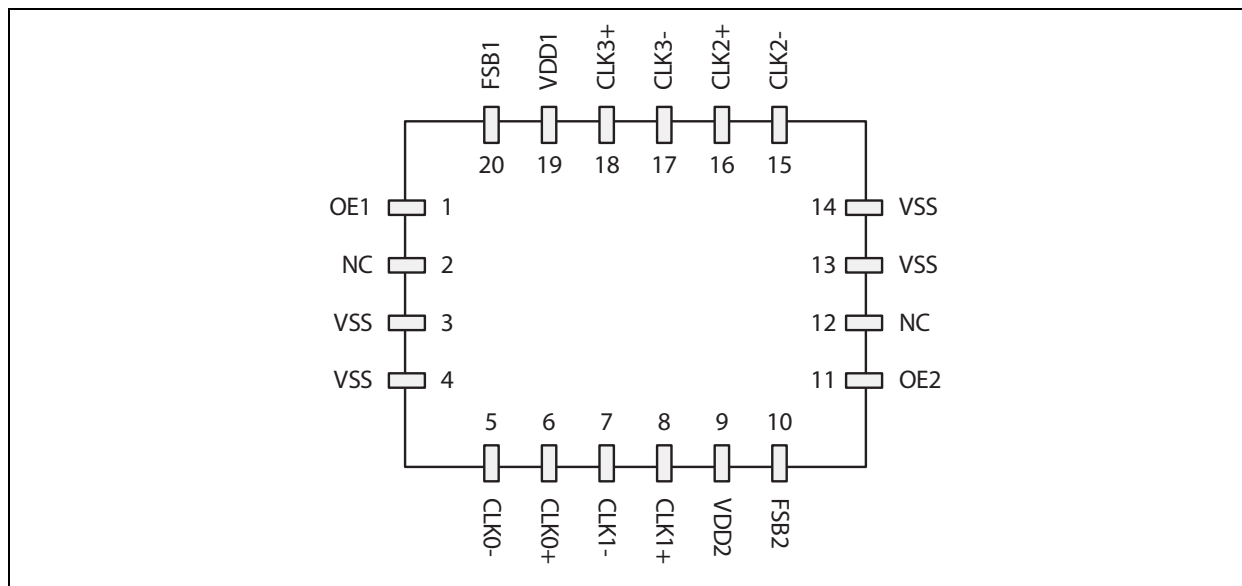


FIGURE 2-1: Pin Configuration, 20-Pin QFN (5.0 mm x 3.2 mm)

The descriptions of the pins are listed in [Table 2-1](#).

TABLE 2-1: PIN FUNCTION TABLE

Pin Number	Pin Name	Pin Type	Description
1	OE1	I	Output Enable for Bank1 (CLK0 and CLK3); Active-High. See Table 3-1 .
2	NC	N/A	Leave unconnected or connect to ground.
3	V _{SS}	PWR	Ground.
4	V _{SS}	PWR	Ground.
5	CLK0-	O	Complement output of differential pair 0 (off when in LVCMOS format).
6	CLK0+	O	True output of differential pair 0 or LVCMOS output 0.
7	CLK1-	O	Complement output of differential pair 1 (off when in LVCMOS format).
8	CLK1+	O	True output of differential pair 1 or LVCMOS output 1.
9	V _{DD2}	PWR	Power Supply for Bank2 (CLK1 and CLK2).
10	FSB2	I	Input for selecting pre-configured frequencies on Bank2 (CLK1 and CLK2).
11	OE2	I	Output Enable for Bank2 (CLK1 and CLK2); Active-High. See Table 3-1 .
12	NC	N/A	Leave unconnected or connect to ground.
13	V _{SS}	PWR	Ground.
14	V _{SS}	PWR	Ground.
15	CLK2-	O	Complement output of differential pair 2 (off when in LVCMOS format).
16	CLK2+	O	True output of differential pair 2 or LVCMOS output 2.
17	CLK3-	O	Complement output of differential pair 3 (off when in LVCMOS format).
18	CLK3+	O	True output of differential pair 3 or LVCMOS output 3.
19	V _{DD1}	PWR	Power Supply for Bank1 (CLK0 and CLK3).
20	FSB1	I	Input for selecting pre-configured frequencies on Bank1 (CLK0 and CLK3).

3.0 OPERATIONAL DESCRIPTION

The DSC400 is a crystal-less™ clock generator. Unlike older clock generators in the industry, it does not require an external crystal to operate; it relies on the integrated MEMS resonator that interfaces with internal PLLs. This technology enhances performance and reliability by allowing tighter frequency stability over a far wider temperature range. In addition, the higher resistance to shock and vibration decreases the aging rate to allow for much improved product life in the system.

3.1 Inputs

There are four input signals in the device. Each has an internal (40 kΩ) pull-up to default the selection to a high (1). Inputs can be controlled through hardware strapping method with a resistor to ground to assert the input low (0). Inputs may also be controlled by other components' GPIOs

In case more than one frequency set is desired, FSB1 and FSB2 are used to independently select one of two sets per bank. FSB1 selects the pre-configured set on Bank1 (CLK0 and CLK3) and FSB2 selects the pre-configured set on Bank2 (CLK1 and CLK2), as shown in [Table 1-1](#) in the [Product Identification System](#) section.

If there is a requirement to disable outputs, the inputs OE1 and OE2 are used in conjunction to disable the banks of outputs. Outputs are disabled in tri-state (Hi-Z) mode. See [Table 3-1](#) for more information.

TABLE 3-1: OUTPUT ENABLE SELECTION TABLE

OE1	OE2	Bank 1 (CLK0 & CLK3)	Bank 2 (CLK1 & CLK2)
0	0	Hi-Z	Hi-Z
0	1	Hi-Z	Running
1	0	Running	Hi-Z
1	1	Running	Running

3.2 Outputs

The four outputs are grouped into two banks. Each bank is supplied by an independent V_{DD} to allow for optimized noise isolation between the two banks. Each bank provides two synchronous outputs generated by a common PLL:

- Bank1 is composed of outputs CLK0 and CLK3.
- Bank2 is composed of outputs CLK1 and CLK2.

Each output may be pre-configured independently to be one of the following formats: LVCMOS, LVDS, LVPECL or HCSL. In case the output is configured to be single-ended LVCMOS, the frequency is generated on the true output (CLKx+) and the complement output (CLKx-) is shut off in a low state. Frequencies can be

chosen from 2.3 MHz to 460 MHz for differential outputs and from 2.3 MHz to 170 MHz on LVCMOS outputs.

3.3 Power

V_{DD1} and V_{DD2} supply the power to banks 1 and 2 respectively. Each V_{DD} may each have a different supply voltage from the other as long as it is within the 2.25V to 3.6V range. Each V_{DD} pin should have a 0.1 μF capacitor to filter high-frequency noise. V_{SS} is common to the entire device.

DSC400

4.0 TERMINATION SCHEMES

4.1 LVPECL

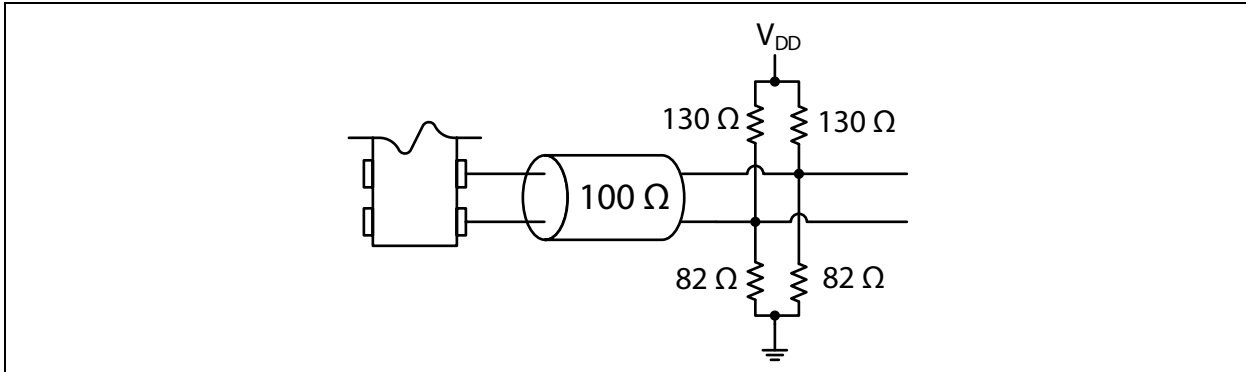


FIGURE 4-1: Typical LVPECL Termination Scheme.

TABLE 4-1: LVPECL OUTPUTS (Note 1)

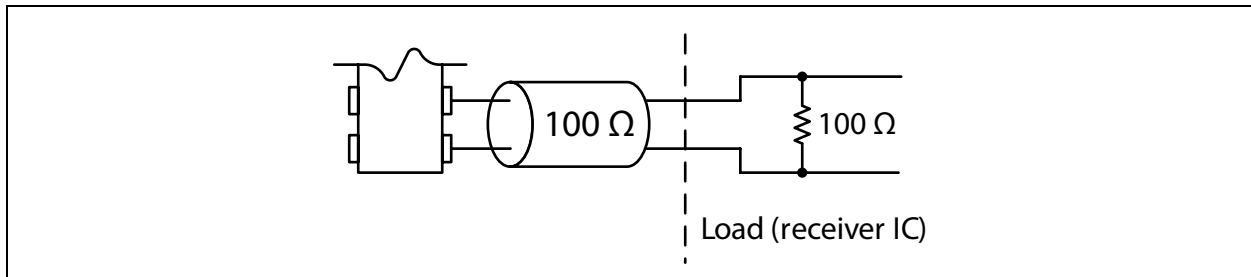
Parameter	Symbol	Min.	Typ.	Max.	Units	Condition
Output Logic Levels	V_{OH}	$V_{DD} - 1.08$	—	—	V	Output Logic High, $R_L = 50\Omega$ to $V_{DD}-2V$
	V_{OL}	—	—	$V_{DD} - 1.55$		Output Logic Low, $R_L = 50\Omega$ to $V_{DD}-2V$
Peak-to-Peak Output Swing	—	—	800	—	mV	Single-Ended
Output Transition Time (Note 2)	t_R	—	250	—	ps	Rise Time. 20% to 80%; $R_L = 50\Omega$ to $V_{DD}-2V$
	t_F	—	250	—		Fall Time. 20% to 80%; $R_L = 50\Omega$ to $V_{DD}-2V$
Frequency	f_0	2.3	—	460	MHz	Single Frequency
Output Duty Cycle	SYM	48	—	52	%	Differential
IO Supply Current (Note 3)	I_{DDIO}	—	35	38	mA	Per Output at 125 MHz
Period Jitter (Note 4)	J_{PER}	—	2.5	—	ps_{RMS}	CLK(0:3) = 156.25 MHz
Integrated Phase Noise	J_{PH}	—	0.25	—	ps_{RMS}	200 kHz to 20 MHz @ 156.25 MHz
		—	0.38	—		100 kHz to 20 MHz @ 156.25 MHz
		—	1.7	2		12 kHz to 20 MHz @ 156.25 MHz

Note 1: LVPECL applicable to extended commercial temperature only.

2: See the [Output Waveform](#) section for more information.

3: The addition of I_{DDCORE} and I_{DDIO} provides the total current consumption of the device.

4: Period jitter includes crosstalk from adjacent output.

4.2 LVDS**FIGURE 4-2:** Typical LVDS Termination Scheme.

If the 100Ω clamping resistor does not exist inside the receiving device, it should be added externally on the PCB and placed as close as possible to the receiver.

TABLE 4-2: LVDS OUTPUTS

Parameter	Symbol	Min.	Typ.	Max.	Units	Condition
Output Offset Voltage	V_{OS}	1.125	—	1.4	V	R = 100Ω Differential
Delta Offset Voltage	ΔV_{OS}	—	—	50	mV	—
Peak-to-Peak Output Swing	V_{PP}	—	350	—	mV	Single-Ended
Output Transition Time (Note 1)	t_R	—	200	—	ps	Rise Time, 20% to 80%, $R_L = 50\Omega$, $C_L = 2$ pF
	t_F	—	200	—		Fall Time, 20% to 80%, $R_L = 50\Omega$, $C_L = 2$ pF
Frequency	f_0	2.3	—	460	MHz	Single Frequency
Output Duty Cycle	SYM	48	—	52	%	Differential
IO Supply Current (Note 2)	I_{DDIO}	—	9	12	mA	Per Output at 125 MHz.
Period Jitter	J_{PER}	—	2.5	—	ps_{RMS}	—
Integrated Phase Noise	J_{PH}	—	0.28	—	ps_{RMS}	200 kHz to 20 MHz @ 156.25 MHz
		—	0.4	—		100 kHz to 20 MHz @ 156.25 MHz
		—	1.7	2.0		12 kHz to 20 MHz @ 156.25 MHz

Note 1: See the [Output Waveform](#) section for more information.

2: The addition of I_{DDCORE} and I_{DDIO} provides the total current consumption of the device.

DSC400

4.3 HCSL

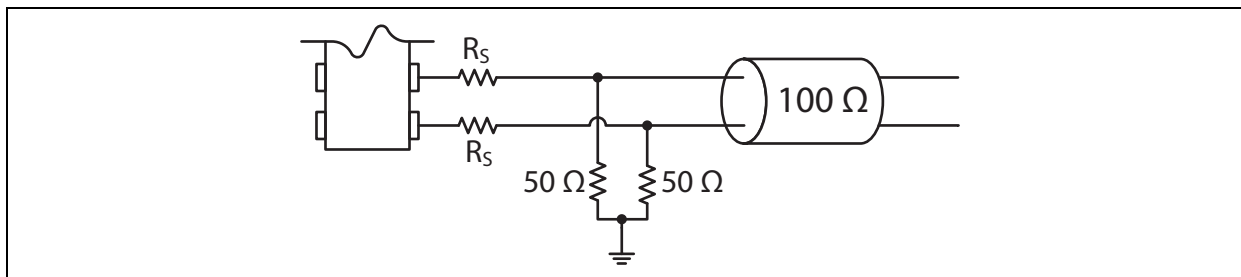


FIGURE 4-3: Typical HCSL Termination Scheme.

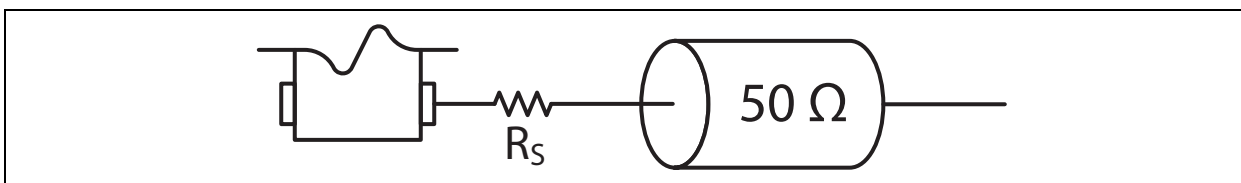
R_S is a series resistor implemented to match the trace impedance. Depending on the board layout, the value may range from 0Ω to 30Ω.

TABLE 4-3: HCSL OUTPUTS

Parameter	Symbol	Min.	Typ.	Max.	Units	Condition
Output Logic Levels	V_{OH}	0.725	—	—	V	Output Logic High, $R_L = 50\Omega$
	V_{OL}	—	—	0.1		Output Logic Low, $R_L = 50\Omega$
Peak-to-Peak Output Swing	—	—	750	—	mV	Single-Ended
Output Transition Time (Note 1)	t_R	200	—	400	ps	Rise Time, 20% to 80%, $R_L = 50\Omega$, $C_L = 2$ pF
	t_F	200	—	400		Fall Time, 20% to 80%, $R_L = 50\Omega$, $C_L = 2$ pF
Frequency	f_0	2.3	—	460	MHz	Single Frequency
Output Duty Cycle	SYM	48	—	52	%	Differential
IO Supply Current (Note 2)	I_{DDIO}	—	20	22	mA	Per Output at 125 MHz.
Period Jitter	J_{PER}	—	2.5	—	ps _{RMS}	—
Integrated Phase Noise	J_{PH}	—	0.25	—	ps _{RMS}	200 kHz to 20 MHz @ 156.25 MHz
		—	0.37	—		100 kHz to 20 MHz @ 156.25 MHz
		—	1.7	2.0		12 kHz to 20 MHz @ 156.25 MHz

Note 1: See the [Output Waveform](#) section for more information.

2: The addition of I_{DDCORE} and I_{DDIO} provides the total current consumption of the device.

4.4 LVCMOS**FIGURE 4-4:** Typical LVCMOS Termination Scheme.

R_S is a series resistor implemented to match the trace impedance to that of the clock output. Depending on the board layout, the value may range from 0Ω to 27Ω .

TABLE 4-4: LVCMOS OUTPUTS

Parameter	Symbol	Min.	Typ.	Max.	Units	Condition
Output Logic Levels	V_{OH}	$0.9 \times V_{DD}$	—	—	V	Output Logic High, $I = \pm 6$ mA
	V_{OL}	—	—	$0.1 \times V_{DD}$		Output Logic Low, $I = \pm 6$ mA
Output Transition Time (Note 1)	t_R	—	1.1	2.0	ns	Rise Time, 20% to 80%, $C_L = 15$ pF
	t_F	—	1.3	2.0		Fall Time, 20% to 80%, $C_L = 15$ pF
Frequency	f_0	2.3	—	170	MHz	All Temperature Ranges, Except Automotive
		—	—	100		Automotive Temperature Range
Output Duty Cycle	SYM	44	—	55	%	—
IO Supply Current (Note 2)	I_{DDIO}	—	11	14	mA	Per Output at 125 MHz, $C_L = 15$ pF
Period Jitter	J_{PER}	—	3	—	ps _{RMS}	CLK(0:3) = 125 MHz
Integrated Phase Noise	J_{PH}	—	0.3	—	ps _{RMS}	200 kHz to 20 MHz @ 125 MHz
		—	0.38	—		100 kHz to 20 MHz @ 125 MHz
		—	1.7	2.0		12 kHz to 20 MHz @ 125 MHz

Note 1: See the [Output Waveform](#) section for more information.

2: The addition of I_{DDCORE} and I_{DDIO} provides the total current consumption of the device.

DSC400

5.0 OUTPUT WAVEFORM

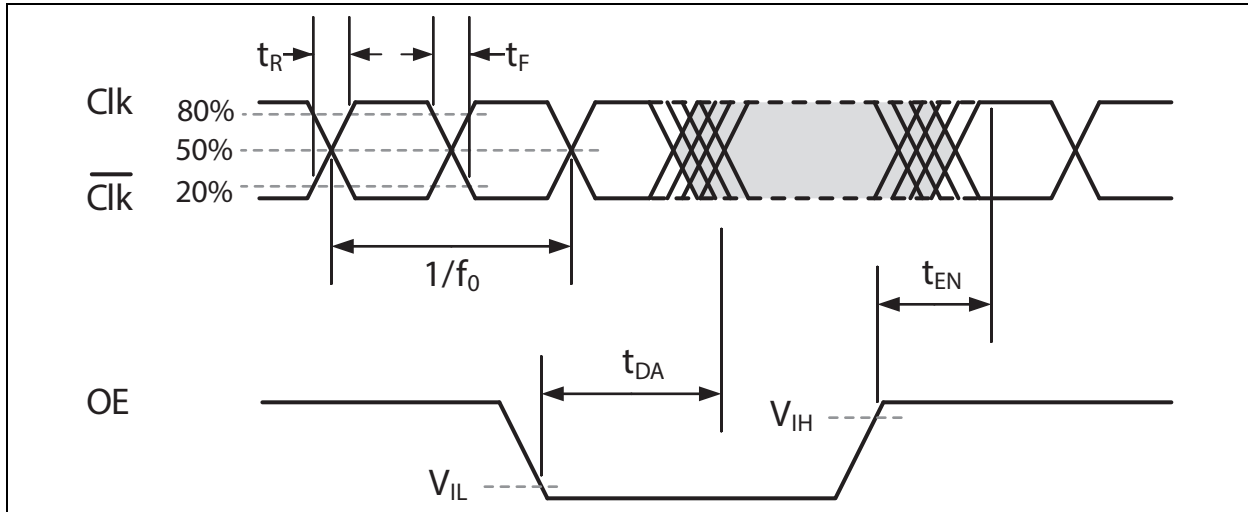


FIGURE 5-1: Differential Output (LVDS, LVPECL, HCSL).

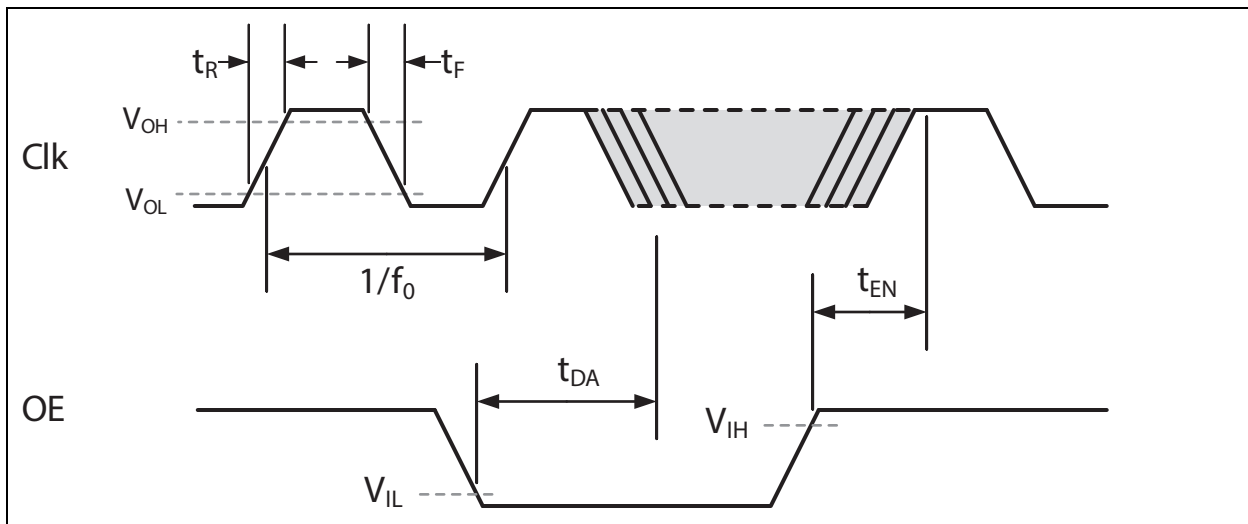


FIGURE 5-2: LVCMOS Output.

6.0 CONNECTION DIAGRAM

The connection diagram below includes recommended capacitors to be placed on each V_{DD} for noise filtering.

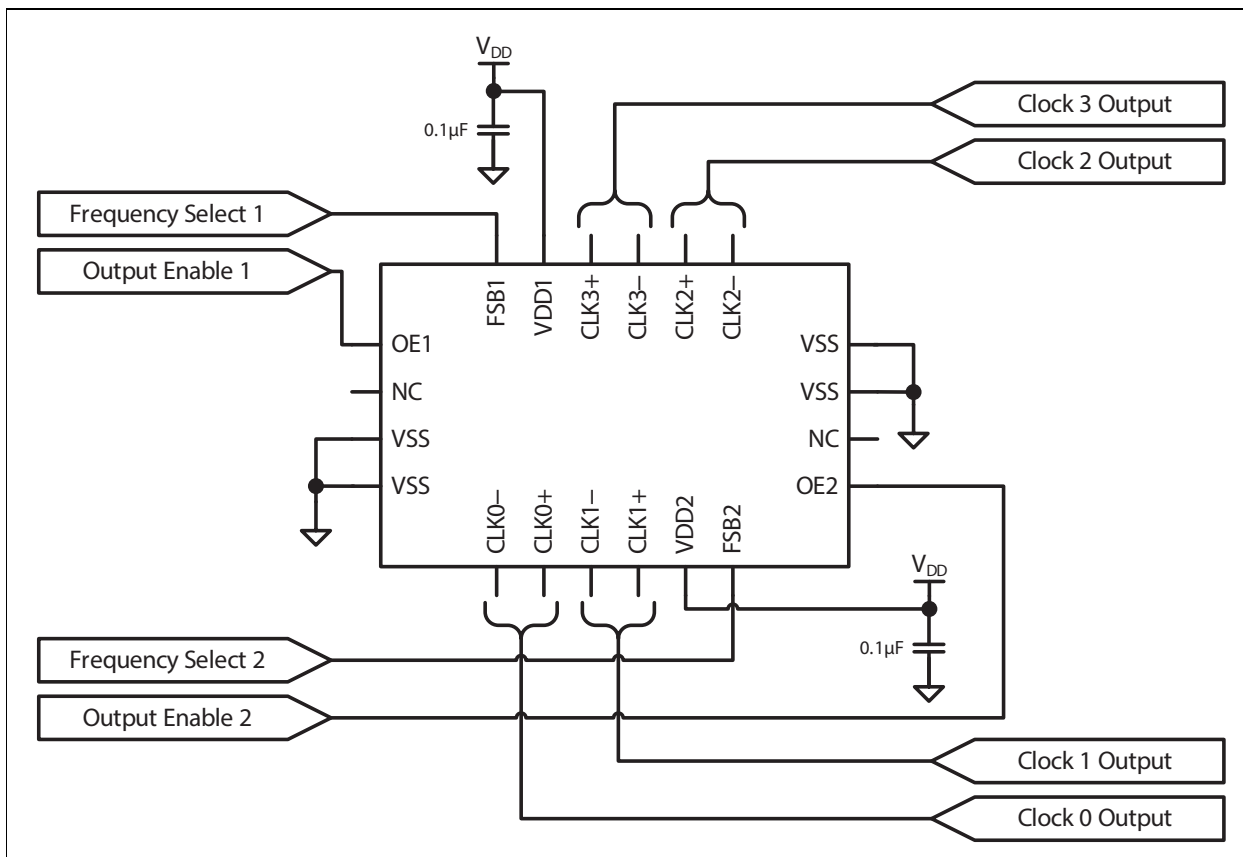
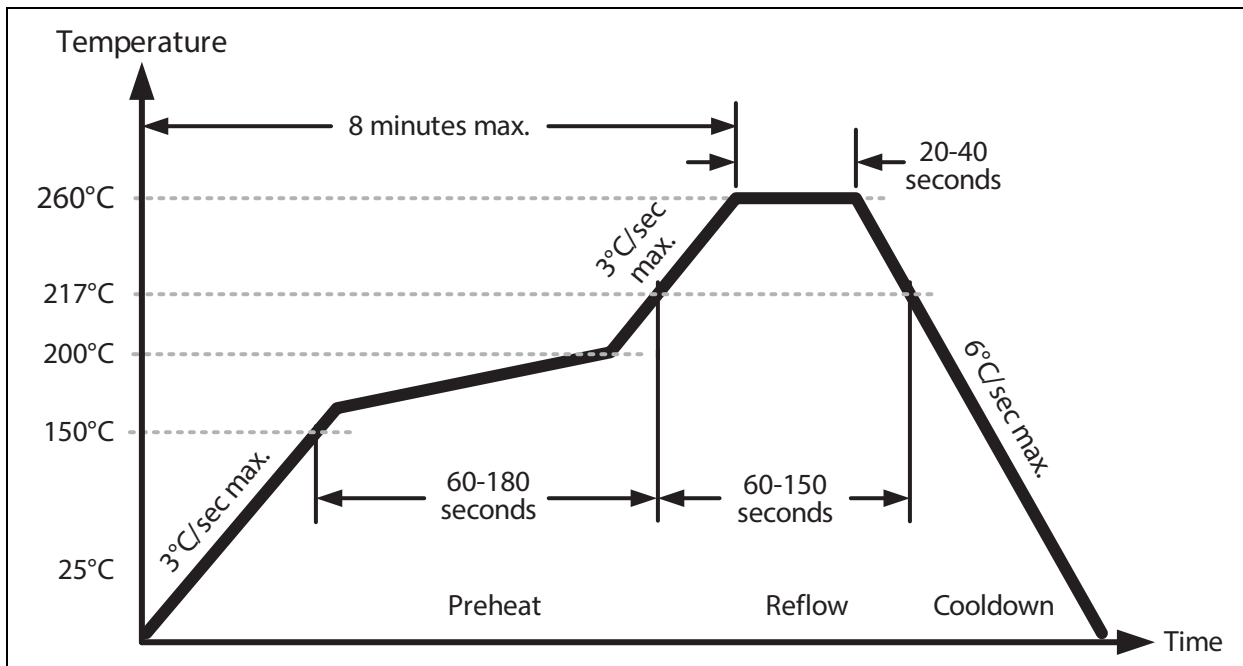


FIGURE 6-1: DSC400 Connection Diagram.

DSC400

7.0 SOLDER REFLOW PROFILE

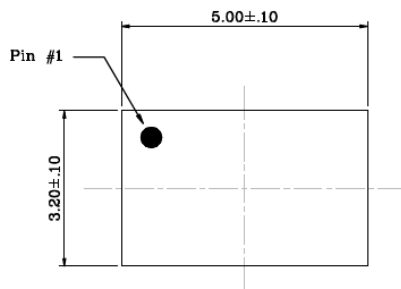
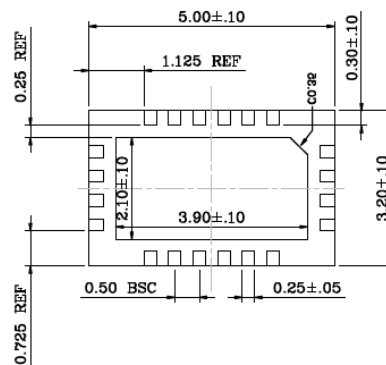
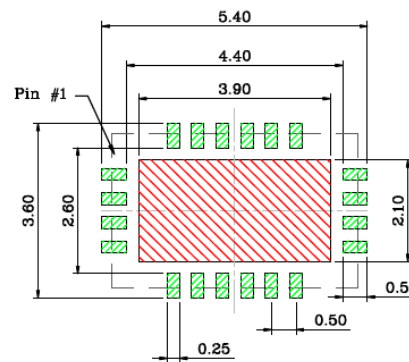


MSL 1 @ 260°C refer to JSTD-020C	
Ramp-Up Rate (200°C to Peak Temp)	3°C/sec. max.
Preheat Time 150°C to 200°C	60-180 sec.
Time Maintained above 217°C	60-150 sec.
Peak Temperature	255°C to 260°C
Time within 5°C of Actual Peak	20-40 sec.
Ramp-Down Rate	6°C/sec. max.
Time 25°C to Peak Temperature	8 minutes max.

8.0 PACKAGE MARKING INFORMATION**20-Lead QFN 5.0 mm x 3.2 mm Package Outline and Recommended Land Pattern****TITLE**

20 LEAD QFN 5.0x3.2mm PACKAGE OUTLINE & RECOMMENDED LAND PATTERN

DRAWING #	UNIT	MM
QFN5032-20LD-PL-1		

Top ViewBottom ViewSide ViewRecommended Land Pattern**NOTE:**

1. Green shaded rectangles in Recommended Land Pattern are solder stencil opening.
2. Red shaded rectangle in Recommended Land Pattern is keep-out area.

Note: For the most current package drawings, please see the Microchip Packaging Specification located at <http://www.microchip.com/packaging>.

DSC400

NOTES:

APPENDIX A: REVISION HISTORY

Revision A (September 2016)

- Converted Micrel data sheet DSC400 to Microchip DS20005612A.
- Minor text changes throughout.

DSC400

NOTES:

PRODUCT IDENTIFICATION SYSTEM

To order or obtain information, e.g., on pricing or delivery, contact your local Microchip representative or sales office.

PART NO.	X	X	X	X	Qxxxx	X	X	X	X
Device	CLK3 Output Format	CLK2 Output Format	CLK1 Output Format	CLK0 Output Format	Freq. Code	Package	Temp. Range	Stability	Packing
Device:	DSC400: Configurable Four Output, Low Jitter Crystal-less Clock Generator								
CLK3 Output Format:	0	=	OFF						
	1	=	LVC MOS						
	2	=	LVPECL						
	3	=	LVDS						
	4	=	HCSL						
CLK2 Output Format:	1	=	LVC MOS						
	2	=	LVPECL						
	3	=	LVDS						
	4	=	HCSL						
CLK1 Output Format:	0	=	OFF						
	1	=	LVC MOS						
	2	=	LVPECL						
	3	=	LVDS						
	4	=	HCSL						
CLK0 Output Format:	1	=	LVC MOS						
	2	=	LVPECL						
	3	=	LVDS						
	4	=	HCSL						
Frequency Code:	Qxxxx	=	This code is assigned by the factory. See the table in this section for more information.						
Package:	K	=	20-Pin QFN						
Temperature Range:	E	=	-20°C to +70°C						
	I	=	-40°C to +85°C						
Stability:	1	=	±50 ppm						
	2	=	±25 ppm						
Packing:	T	=	Tape & Reel						

Examples:

a) DSC400-2143QxxxxKE1T:
Configurable Four Output, Low Jitter Crystal-less Clock Generator; LVPECL CLK3; LVC MOS CLK2; HCSL CLK1; LVDS CLK0; Frequency Code; 20-Pin QFN; -20°C to +70°C Temp. Range; ±50 ppm Stability; Tape & Reel

b) DSC400-4132QxxxxKI2T:
Configurable Four Output, Low Jitter Crystal-less Clock Generator; HCSL CLK3; LVC MOS CLK2; LVDS CLK1; LVPECL CLK0; Frequency Code; 20-Pin QFN; -40°C to +85°C Temp. Range; ±25 ppm Stability; Tape & Reel

c) DSC400-0202QxxxxKE2T:
Configurable Four Output, Low Jitter Crystal-less Clock Generator; OFF CLK3; LVPECL CLK2; OFF CLK1; LVPECL CLK0; Frequency Code; 20-Pin QFN; -20°C to +70°C Temp. Range; ±25 ppm Stability; Tape & Reel

d) DSC400-1111QxxxxKI1T:
Configurable Four Output, Low Jitter Crystal-less Clock Generator; LVC MOS CLK3 through CLK0; Frequency Code; 20-Pin QFN; -40°C to +85°C Temp. Range; ±50 ppm Stability; Tape & Reel

1.0 FACTORY CONFIGURATION CODE ASSIGNMENT OF QXXXX

The DSC400 is meant for customers to define their own frequency requirements at the four available outputs. The Qxxxx number identifies these specific customer requirements and is assigned by the factory.

TABLE 1-1: EXAMPLE OF HOW FSB1 & FSB2 ARE APPLIED & THE QXXXX ASSIGNMENT

Bank1	Outputs	FSB1		Qxxxx Number
		1 (default)	0	
	CLK0	125 MHz	150 MHz	
	CLK3	50 MHz	25 MHz	
Bank2	Outputs	FSB2		
		1 (default)	0	
		CLK1	156.25 MHz	100 MHz
	CLK2	156.25 MHz	100 MHz	

DSC400

NOTES:

Note the following details of the code protection feature on Microchip devices:

- Microchip products meet the specification contained in their particular Microchip Data Sheet.
- Microchip believes that its family of products is one of the most secure families of its kind on the market today, when used in the intended manner and under normal conditions.
- There are dishonest and possibly illegal methods used to breach the code protection feature. All of these methods, to our knowledge, require using the Microchip products in a manner outside the operating specifications contained in Microchip's Data Sheets. Most likely, the person doing so is engaged in theft of intellectual property.
- Microchip is willing to work with the customer who is concerned about the integrity of their code.
- Neither Microchip nor any other semiconductor manufacturer can guarantee the security of their code. Code protection does not mean that we are guaranteeing the product as “unbreakable.”

Code protection is constantly evolving. We at Microchip are committed to continuously improving the code protection features of our products. Attempts to break Microchip's code protection feature may be a violation of the Digital Millennium Copyright Act. If such acts allow unauthorized access to your software or other copyrighted work, you may have a right to sue for relief under that Act.

Information contained in this publication regarding device applications and the like is provided only for your convenience and may be superseded by updates. It is your responsibility to ensure that your application meets with your specifications. MICROCHIP MAKES NO REPRESENTATIONS OR WARRANTIES OF ANY KIND WHETHER EXPRESS OR IMPLIED, WRITTEN OR ORAL, STATUTORY OR OTHERWISE, RELATED TO THE INFORMATION, INCLUDING BUT NOT LIMITED TO ITS CONDITION, QUALITY, PERFORMANCE, MERCHANTABILITY OR FITNESS FOR PURPOSE. Microchip disclaims all liability arising from this information and its use. Use of Microchip devices in life support and/or safety applications is entirely at the buyer's risk, and the buyer agrees to defend, indemnify and hold harmless Microchip from any and all damages, claims, suits, or expenses resulting from such use. No licenses are conveyed, implicitly or otherwise, under any Microchip intellectual property rights unless otherwise stated.

Microchip received ISO/TS-16949:2009 certification for its worldwide headquarters, design and wafer fabrication facilities in Chandler and Tempe, Arizona; Gresham, Oregon and design centers in California and India. The Company's quality system processes and procedures are for its PIC® MCUs and dsPIC® DSCs, KEELoc® code hopping devices, Serial EEPROMs, microperipherals, nonvolatile memory and analog products. In addition, Microchip's quality system for the design and manufacture of development systems is ISO 9001:2000 certified.

**QUALITY MANAGEMENT SYSTEM
CERTIFIED BY DNV
= ISO/TS 16949 =**

Trademarks

The Microchip name and logo, the Microchip logo, AnyRate, dsPIC, FlashFlex, flexPWR, Heldo, JukeBlox, KeeLoq, KeeLoq logo, Klear, LANCheck, LINK MD, MediaLB, MOST, MOST logo, MPLAB, OptoLyzer, PIC, PICSTART, PIC32 logo, RightTouch, SpyNIC, SST, SST Logo, SuperFlash and UNI/O are registered trademarks of Microchip Technology Incorporated in the U.S.A. and other countries.

ClockWorks, The Embedded Control Solutions Company, ETHERSYNCH, Hyper Speed Control, HyperLight Load, IntelliMOS, mTouch, Precision Edge, and QUIET-WIRE are registered trademarks of Microchip Technology Incorporated in the U.S.A.

Analog-for-the-Digital Age, Any Capacitor, AnyIn, AnyOut, BodyCom, chipKIT, chipKIT logo, CodeGuard, dsPICDEM, dsPICDEM.net, Dynamic Average Matching, DAM, ECAN, EtherGREEN, In-Circuit Serial Programming, ICSP, Inter-Chip Connectivity, JitterBlocker, KlearNet, KlearNet logo, MiWi, motorBench, MPASM, MPF, MPLAB Certified logo, MPLIB, MPLINK, MultiTRAK, NetDetach, Omniscient Code Generation, PICDEM, PICDEM.net, PICkit, PICtail, PureSilicon, RightTouch logo, REAL ICE, Ripple Blocker, Serial Quad I/O, SQL, SuperSwitcher, SuperSwitcher II, Total Endurance, TSHARC, USBCheck, VariSense, ViewSpan, WiperLock, Wireless DNA, and ZENA are trademarks of Microchip Technology Incorporated in the U.S.A. and other countries.

SQTP is a service mark of Microchip Technology Incorporated in the U.S.A.

Silicon Storage Technology is a registered trademark of Microchip Technology Inc. in other countries.

GestIC is a registered trademarks of Microchip Technology Germany II GmbH & Co. KG, a subsidiary of Microchip Technology Inc., in other countries.

All other trademarks mentioned herein are property of their respective companies.

© 2016, Microchip Technology Incorporated, Printed in the U.S.A., All Rights Reserved.

ISBN: 978-1-5224-0985-4



MICROCHIP

Worldwide Sales and Service

AMERICAS

Corporate Office

2355 West Chandler Blvd.
Chandler, AZ 85224-6199
Tel: 480-792-7200
Fax: 480-792-7277
Technical Support:
<http://www.microchip.com/support>

Web Address:
www.microchip.com

Atlanta

Duluth, GA
Tel: 678-957-9614
Fax: 678-957-1455

Austin, TX

Tel: 512-257-3370

Boston

Westborough, MA
Tel: 774-760-0087
Fax: 774-760-0088

Chicago

Itasca, IL
Tel: 630-285-0071
Fax: 630-285-0075

Cleveland

Independence, OH
Tel: 216-447-0464
Fax: 216-447-0643

Dallas

Addison, TX
Tel: 972-818-7423
Fax: 972-818-2924

Detroit

Novi, MI
Tel: 248-848-4000

Houston, TX

Tel: 281-894-5983

Indianapolis

Noblesville, IN
Tel: 317-773-8323
Fax: 317-773-5453

Los Angeles

Mission Viejo, CA
Tel: 949-462-9523
Fax: 949-462-9608

New York, NY

Tel: 631-435-6000

San Jose, CA

Tel: 408-735-9110

Canada - Toronto

Tel: 905-695-1980
Fax: 905-695-2078

ASIA/PACIFIC

Asia Pacific Office

Suites 3707-14, 37th Floor
Tower 6, The Gateway
Harbour City, Kowloon

Hong Kong

Tel: 852-2943-5100
Fax: 852-2401-3431

Australia - Sydney

Tel: 61-2-9868-6733
Fax: 61-2-9868-6755

China - Beijing

Tel: 86-10-8569-7000
Fax: 86-10-8528-2104

China - Chengdu

Tel: 86-28-8665-5511
Fax: 86-28-8665-7889

China - Chongqing

Tel: 86-23-8980-9588
Fax: 86-23-8980-9500

China - Dongguan

Tel: 86-769-8702-9880

China - Guangzhou

Tel: 86-20-8755-8029

China - Hangzhou

Tel: 86-571-8792-8115
Fax: 86-571-8792-8116

China - Hong Kong SAR

Tel: 852-2943-5100
Fax: 852-2401-3431

China - Nanjing

Tel: 86-25-8473-2460
Fax: 86-25-8473-2470

China - Qingdao

Tel: 86-532-8502-7355
Fax: 86-532-8502-7205

China - Shanghai

Tel: 86-21-5407-5533
Fax: 86-21-5407-5066

China - Shenyang

Tel: 86-24-2334-2829
Fax: 86-24-2334-2393

China - Shenzhen

Tel: 86-755-8864-2200
Fax: 86-755-8203-1760

China - Wuhan

Tel: 86-27-5980-5300
Fax: 86-27-5980-5118

China - Xian

Tel: 86-29-8833-7252
Fax: 86-29-8833-7256

ASIA/PACIFIC

China - Xiamen

Tel: 86-592-2388138
Fax: 86-592-2388130

China - Zhuhai

Tel: 86-756-3210040
Fax: 86-756-3210049

India - Bangalore

Tel: 91-80-3090-4444
Fax: 91-80-3090-4123

India - New Delhi

Tel: 91-11-4160-8631
Fax: 91-11-4160-8632

India - Pune

Tel: 91-20-3019-1500

Japan - Osaka

Tel: 81-6-6152-7160
Fax: 81-6-6152-9310

Japan - Tokyo

Tel: 81-3-6880-3770
Fax: 81-3-6880-3771

Korea - Daegu

Tel: 82-53-744-4301
Fax: 82-53-744-4302

Korea - Seoul

Tel: 82-2-554-7200
Fax: 82-2-558-5932 or
82-2-558-5934

Malaysia - Kuala Lumpur

Tel: 60-3-6201-9857
Fax: 60-3-6201-9859

Malaysia - Penang

Tel: 60-4-227-8870
Fax: 60-4-227-4068

Philippines - Manila

Tel: 63-2-634-9065
Fax: 63-2-634-9069

Singapore

Tel: 65-6334-8870
Fax: 65-6334-8850

Taiwan - Hsin Chu

Tel: 886-3-5778-366
Fax: 886-3-5770-955

Taiwan - Kaohsiung

Tel: 886-7-213-7828

Taiwan - Taipei

Tel: 886-2-2508-8600
Fax: 886-2-2508-0102

Thailand - Bangkok

Tel: 66-2-694-1351
Fax: 66-2-694-1350

EUROPE

Austria - Wels

Tel: 43-7242-2244-39
Fax: 43-7242-2244-393

Denmark - Copenhagen

Tel: 45-4450-2828
Fax: 45-4485-2829

France - Paris

Tel: 33-1-69-53-63-20
Fax: 33-1-69-30-90-79

Germany - Dusseldorf

Tel: 49-2129-3766400

Germany - Karlsruhe

Tel: 49-721-625370

Germany - Munich

Tel: 49-89-627-144-0
Fax: 49-89-627-144-44

Italy - Milan

Tel: 39-0331-742611
Fax: 39-0331-466781

Italy - Venice

Tel: 39-049-7625286

Netherlands - Drunen

Tel: 31-416-690399
Fax: 31-416-690340

Poland - Warsaw

Tel: 48-22-3325737

Spain - Madrid

Tel: 34-91-708-08-90
Fax: 34-91-708-08-91

Sweden - Stockholm

Tel: 46-8-5090-4654

UK - Wokingham

Tel: 44-118-921-5800
Fax: 44-118-921-5820

06/23/16

OUR CERTIFICATE

DiGi provide top-quality products and perfect service for customer worldwide through standardization, technological innovation and continuous improvement. DiGi through third-party certification, we stricly control the quality of products and services. Welcome your RFQ to

Email: Info@DiGi-Electronics.com



Tel: +00 852-30501935

RFQ Email: Info@DiGi-Electronics.com

DiGi is a global authorized distributor of electronic components.