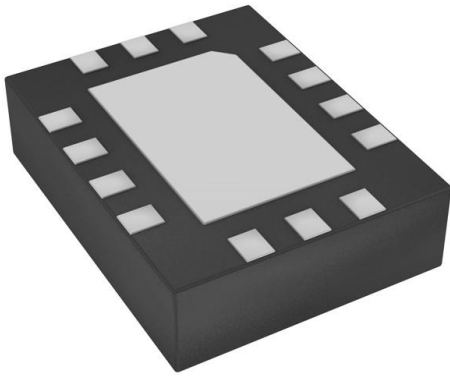


# DSC557-0344FL1T Datasheet

[www.digi-electronics.com](http://www.digi-electronics.com)



<https://www.DiGi-Electronics.com>

DiGi Electronics Part Number	DSC557-0344FL1T-DG
Manufacturer	<a href="#">Microchip Technology</a>
Manufacturer Product Number	DSC557-0344FL1T
Description	IC CLOCK GEN PCIE 14QFN
Detailed Description	PCI Express (PCIe) Clock Generator IC 100MHz 1 Output 14-QFN (2.5x3.2)



Tel: +00 852-30501935

RFQ Email: [Info@DiGi-Electronics.com](mailto:Info@DiGi-Electronics.com)

DiGi is a global authorized distributor of electronic components.

## Purchase and inquiry

Manufacturer Product Number:

DSC557-0344FL1T

Series:

DSC557-03

DiGi-Electronics Programmable:

Not Verified

Main Purpose:

PCI Express (PCIe)

Output:

HCSL

Ratio - Input:Output:

0:2

Frequency - Max:

100MHz

Operating Temperature:

-40°C ~ 105°C

Package / Case:

14-VFQFN Exposed Pad

Base Product Number:

DSC557

Manufacturer:

Microchip Technology

Product Status:

Active

PLL:

Yes

Input:

-

Number of Circuits:

1

Differential - Input:Output:

No/Yes

Voltage - Supply:

2.25V ~ 3.6V

Mounting Type:

Surface Mount

Supplier Device Package:

14-QFN (2.5x3.2)

## Environmental & Export classification

RoHS Status:

ROHS3 Compliant

REACH Status:

REACH Unaffected

HTSUS:

8542.39.0001

Moisture Sensitivity Level (MSL):

3 (168 Hours)

ECCN:

EAR99





# DSC557-03

## Two Output PCIe Gen1/2/3/4 Clock Generator

### Features

- Complies with PCIe Gen1/2/3/4 Common Clock Spec
- Integrated MEMS Resonator Eliminates the Need for External 25 MHz Crystal
- 100 MHz HCSL/LVDS/LVCMOS Options Available
- Wide Temperature Range:
  - Ext. Industrial:  $-40^{\circ}\text{C}$  to  $+105^{\circ}\text{C}$
  - Industrial:  $-40^{\circ}\text{C}$  to  $+85^{\circ}\text{C}$
  - Commercial:  $-20^{\circ}\text{C}$  to  $+70^{\circ}\text{C}$
- Supply Range of 2.25V to 3.6V
- Low Power Consumption
  - 30% Lower than Competing Devices
- Excellent Shock & Vibration Immunity
  - Qualified to MIL-STD-883
- Space Saving 14-Lead QFN Package
- Lead-Free and RoHS-Compliant

### Applications

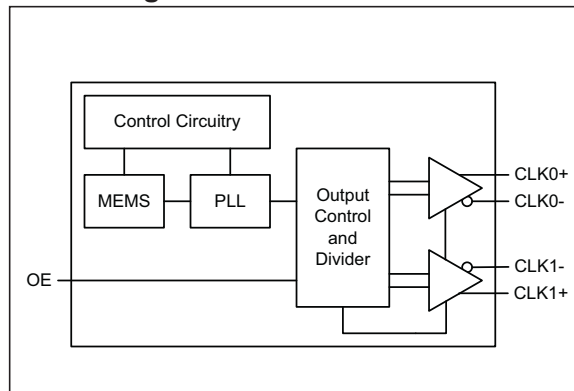
- Communications/Networking
  - Ethernet
  - 1G, 10GBASE-T/KR/LR/SR, and FcoE
  - Routers and Switches
  - Gateways, VoIP, Wireless AP's
  - Passive Optical Networks
- Storage
  - SAN, NAS, SSD, JBOD
- Embedded Applications
  - Industrial, Medical, and Avionics
  - Security Systems and Office Automation
  - Digital Signage, POS and others
- Consumer Electronics
  - Smart TV, Bluray, STB

### General Description

The DSC557-03 is a two output PCI express clock generator meeting Gen1, Gen2, Gen3 and Gen 4 specifications. The clock generator uses proven silicon MEMS technology to provide 100 MHz\* differential output clocks with excellent jitter and stability over a wide range of supply voltages and temperatures. By eliminating the external quartz crystal, the DSC557-03 significantly enhances reliability and accelerates product development, while meeting stringent clock performance criteria for a variety of communications, storage, and networking applications.

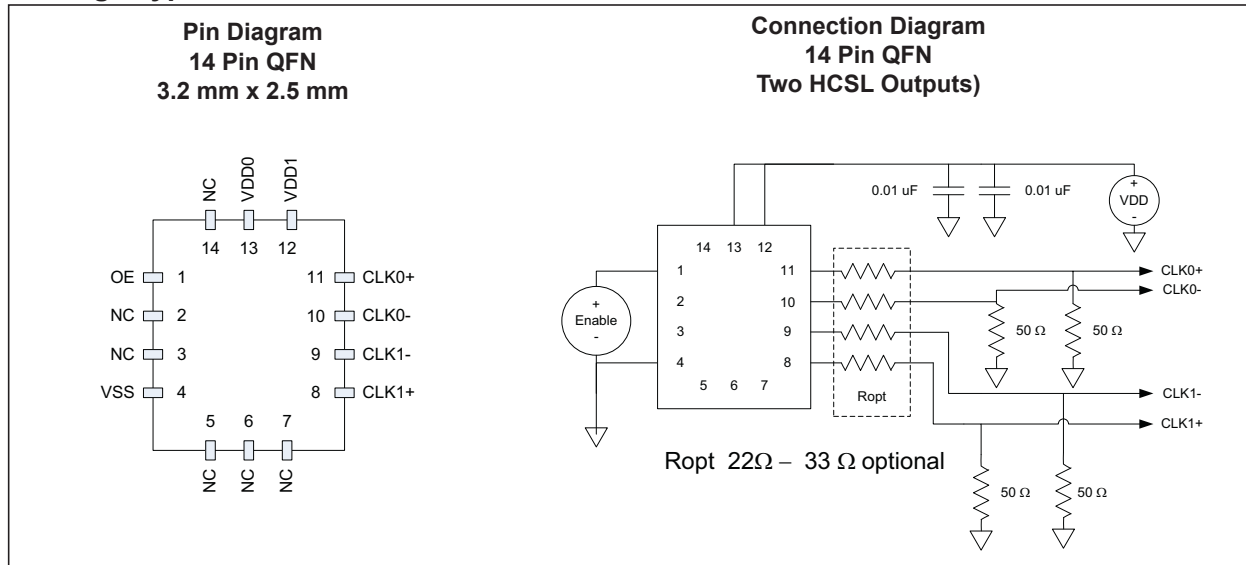
DSC557-03 has an Output Enable / Disable feature allowing it to disable the outputs when OE is low. The device is available in a space saving 14 pin QFN. Additional output formats are also available in any combination of LVCMOS, LVDS, and HCSL.

### Block Diagram



# DSC557-03

## Package Type



**TABLE 0-1: PIN DESCRIPTION (14 QFN)**

Pin Number	Pin Name	Pin Type	Description
1	OE	I	Output Enable; Active-high.
2	NC	N/A	Ground recommended or leave as a NC.
3	NC	N/A	Ground recommended or leave as a NC.
4	VSS	Power	Ground.
5	NC	N/A	Ground recommended or leave as a NC.
6	NC	N/A	Ground recommended or leave as a NC.
7	NC	N/A	Ground recommended or leave as a NC.
8	CLK1+	O	True output of differential pair.
9	CLK1-	O	Complement output of differential pair.
10	CLK0-	O	Complement output of differential pair.
11	CLK0+	O	True output of differential pair.
12	VDD1	Power	Power Supply for Output 1 (CLK1+/-).
13	VDD0	Power	Power Supply for Core and Output 0 (CLK0+/-).
14	NC	N/A	Ground recommended or leave as a NC.
ePAD	ePAD	N/A	Thermal pad, floating, not DC connected to substrate ground.

## 1.0 ELECTRICAL CHARACTERISTICS

### Absolute Maximum Ratings †

Supply Voltage .....	-0.3V to +4.0V
Input Voltage .....	-0.3V to $V_{DD} + 0.3V$
ESD Protection (HBM) .....	4 kV
ESD Protection (MM) .....	400V
ESD Protection (CDM) .....	1.5 kV

† **Notice:** Stresses above those listed under “Absolute Maximum Ratings” may cause permanent damage to the device. This is a stress rating only and functional operation of the device at those or any other conditions above those indicated in the operational sections of this specification is not intended. Exposure to maximum rating conditions for extended periods may affect device reliability.

## ELECTRICAL CHARACTERISTICS

**Electrical Characteristics:**  $V_{DD} = 3.3V$ ;  $T = 25^{\circ}C$ , unless specified otherwise.

Parameter	Symbol	Min.	Typ.	Max.	Units	Conditions
Supply Voltage	$V_{DD}$	2.25	—	3.6	V	Note 1
Supply Current	$I_{DD}$	—	—	—	—	EN pin low - outputs are disabled
Supply Current (Two HCSL Outputs), Note 2	$I_{DD}$	—	60	—	mA	EN pin high - outputs are enabled $R_L = 50\Omega$ , $F_{O1} = F_{O2} = 100$ MHz
Frequency Stability	$\Delta f$	—	—	$\pm 100$	ppm	Includes frequency variations due to initial tolerance, temp. and power supply voltage
		—	—	$\pm 50$		
Startup Time	$t_{SU}$	—	—	5	ms	Note 3
Input Logic Levels,	$V_{IH}$	$0.7 \times V_{DD}$	—	—	V	Input logic high
	$V_{IL}$	—	—	$0.3 \times V_{DD}$		Input logic low
Output Disable Time	$t_{DA}$	—	—	5	ns	Note 4
Output Enable Time	$t_{EN}$	—	—	20	ns	—
Pull-Up Resistor	—	—	40	—	k $\Omega$	Pull-up on OE pin
<b>HCSL Outputs</b>						
Output Logic Levels						
Output Logic High	$V_{OH}$	0.725	—	—	V	$R_L = 50\Omega$
Output Logic Low	$V_{OL}$	—	—	0.1	V	
Peak to Peak Output Swing	—	—	750	—	mV	Single-ended
Output Transition Time						
Rise Time	$t_R$	200	—	400	ps	20% to 80%, $R_L = 50\Omega$ , $C_L = 2$ pF
Fall Time	$t_F$	200	—	400		
Frequency	$f_0$	—	100	—	MHz	Single frequency
Output Duty Cycle	SYM	48	—	52	%	Differential
Period Jitter Note 5	$J_{PER}$	—	2.5	—	pSRMS	$F_{O1} = F_{O2} = 100$ MHz

# DSC557-03

## ELECTRICAL CHARACTERISTICS (CONTINUED)

Electrical Characteristics:  $V_{DD} = 3.3V$ ;  $T = 25^{\circ}C$ , unless specified otherwise.

Parameter	Symbol	Min.	Typ.	Max.	Units	Conditions
Jitter, Phase (Common Clock Architecture) Note 6	$T_J$	—	17	86	$ps_{PP}$	PCIe Gen 1.1 $T_J = D_J + 14.069 \times R_J$ (BER $10^{-12}$ )
	$J_{RMS-CCHF}$	—	1.46	3.1	$ps_{RMS}$	PCIe Gen 2.1, 1.5 MHz to Nyquist
	$J_{RMS-CCLF}$	—	0.08	3.0	$ps_{RMS}$	PCIe Gen 2.1, 10 kHz to 1.5 MHz
	$J_{RMS-CC}$	—	0.313	1.0	$ps_{RMS}$	PCIe Gen 3.0
—		0.313	0.5	$ps_{RMS}$	PCIe Gen 4.0	
Integrated Phase Noise (Data Clock Architecture) Note 6	$J_{RMS-DCHF}$	—	2.15	—	$ps_{RMS}$	PCIe Gen 2.1, 1.5 MHz to Nyquist
	$J_{RMS-CCLF}$	—	0.06	—	$ps_{RMS}$	PCIe Gen 2.1, 10 kHz to 1.5 MHz
	$J_{RMS-DC}$	—	0.32	—	$ps_{RMS}$	PCIe Gen 3.0
<b>LVDS Output</b>						
Offset Voltage	$V_{OS}$	1.125	1.25	1.40	V	$V_{DD} = 2.5V/3.3V$
$V_{OS}$ Magnitude Change	$\Delta V_{OS}$	—	—	50	mV	—
Output High Voltage	$V_{OH}$	$0.9 \times V_{DD}$	—	—	V	—
Output Low Voltage	$V_{OL}$	—	—	$0.1 \times V_{DD}$	V	—
Output Frequency	$f_{OUT}$	—	100	—	MHz	—
Differential Output Voltage	$V_{OD}$	275	350	475	$mV_{PP}$	—
$V_{OD}$ Magnitude Change	$\Delta V_{OD}$	—	—	40	mV	—
LVDS Output Rise/Fall Time	$t_r/t_f$	—	200	—	ps	20% – 80%
Output Duty Cycle	ODC	48	50	52	%	20% – 80%, $R_L = 50\Omega$ , $C_L = 2$ pF
Period Jitter, Peak to Peak	$J_{PTP}$	—	2.5	—	ps	$f_{OUT} = 100$ MHz, Standard Drive
Integrated Phase Noise	$J_{PH}$	—	0.28	—	$ps_{RMS}$	200 kHz to 20 MHz @ 100 MHz, $T_A = +105^{\circ}C$
		—	0.4	—		100 kHz to 80 MHz @ 100 MHz
		—	1.7	2.0		12 kHz to 10 MHz @ 100 MHz
<b>LVC MOS Output</b>						
Output High Voltage	$V_{OH}$	$0.8 \times V_{DD}$	—	—	V	$\pm 10$ mA drive current
Output Low Voltage	$V_{OL}$	—	—	$0.2 \times V_{DD}$	V	$\pm 10$ mA drive current
Output Frequency	$f_{OUT}$	—	100	—	MHz	—
Output Rise/Fall Time	$t_r/t_f$	—	1.2	—	ns	20% – 80%, $C_L = 15$ pF
Output Duty Cycle	ODC	48	50	52	%	$f_{OUT} = 100$ MHz, Standard Drive
Period Jitter	$J_{PTP}$	—	3	—	$ps_{RMS}$	$f_{OUT} = 100$ MHz, Standard Drive
Integrated Phase Noise	$J_{PH}$	—	0.3	—	$ps_{RMS}$	200 kHz to 20 MHz @ 100 MHz
		—	0.38	—		100 kHz to 20 MHz @ 100 MHz
		—	1.7	2.0		12 kHz to 20 MHz @ 100 MHz

- Note 1:**  $V_{DD}$  pin should be filtered with a 0.1  $\mu F$  capacitor.  
**Note 2:** Output is enabled if OE pin is floated or not connected.  
**Note 3:**  $t_{su}$  is time to 100 PPM stable output frequency after  $V_{DD}$  is applied and outputs are enabled.  
**Note 4:** Output Waveform and Connection Diagram define the parameters.  
**Note 5:** Period Jitter includes crosstalk from adjacent output.  
**Note 6:** Jitter limits established by Gen 1.1, Gen 2.1, Gen 3.0 and Gen 4.0 PCIe standards.

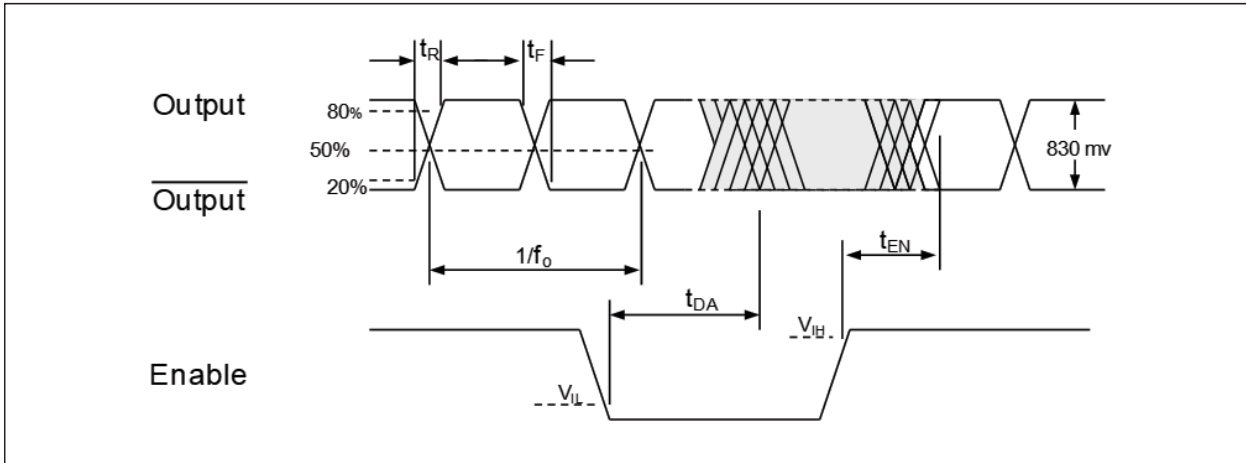
**TEMPERATURE SPECIFICATIONS (Note 1)**

Parameters	Symbol	Min.	Typ.	Max.	Units	Conditions
<b>Temperature Ranges</b>						
Junction Operating Temperature	$T_J$	—	—	+150	°C	—
Storage Temperature Range	$T_S$	-55	—	+150	°C	—
Lead Temperature	—	—	+260	—	°C	Soldering, 40s

**Note 1:** The maximum allowable power dissipation is a function of ambient temperature, the maximum allowable junction temperature and the thermal resistance from junction to air (i.e.,  $T_A$ ,  $T_J$ ,  $\theta_{JA}$ ). Exceeding the maximum allowable power dissipation will cause the device operating junction temperature to exceed the maximum +150°C rating. Sustained junction temperatures above +150°C can impact the device reliability.

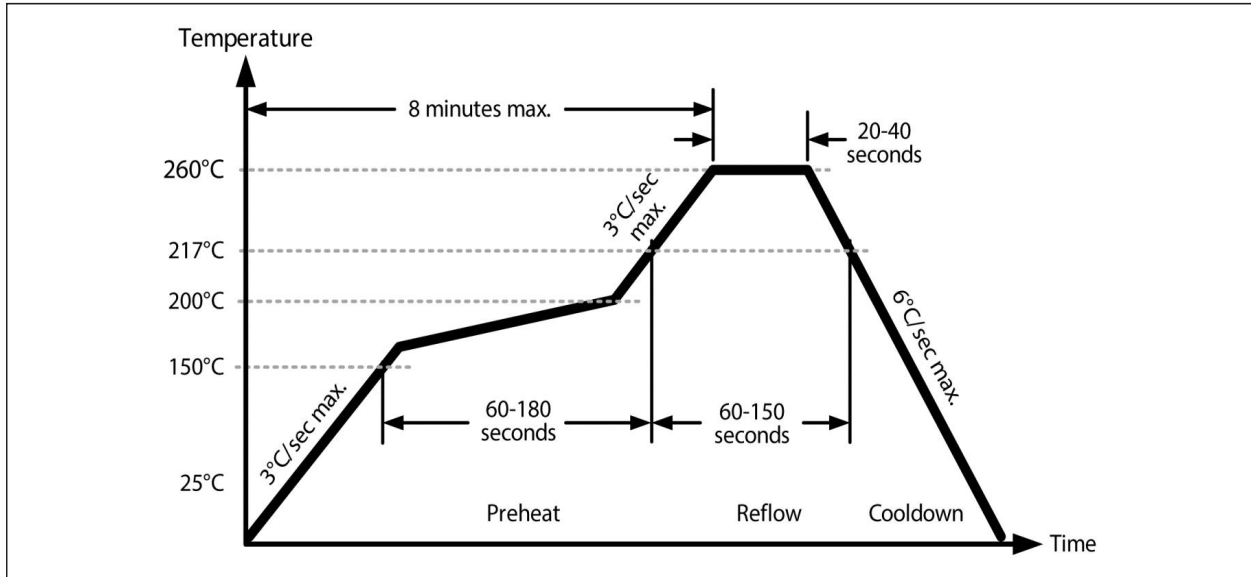
# DSC557-03

## 2.0 OE FUNCTION AND OUTPUT WAVEFORM: HCSL



**FIGURE 2-1:** OE Function and Output Waveform.



**3.0 SOLDER REFLOW PROFILE****FIGURE 3-1:** Solder Reflow Profile.**TABLE 3-1: SOLDER REFLOW**

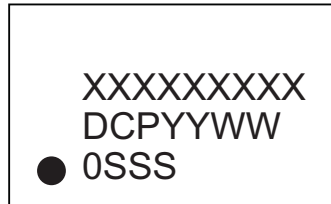
<b>14 QFN MSL 1 @ 260°C refer to JSTD-020C</b>	
Ramp-Up Rate (200°C to Peak Temp.)	3°C/sec. max.
Preheat Time 150°C to 200°C	60 to 180 sec.
Time Maintained above 217°C	60 to 150 sec.
Peak Temperature	255°C to 260°C
Time within 5°C of Actual Peak	20 to 40 sec.
Ramp-Down Rate	6°C/sec. max.
Time 25°C to Peak Temperature	8 minutes max.

# DSC557-03

## 4.0 PACKAGING INFORMATION

### 4.1 Package Marking Information

14-Lead QFN\*  
(2.5 mm x 3.2 mm)



Example

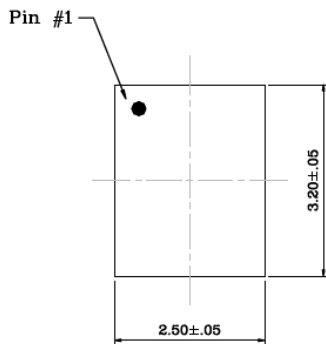
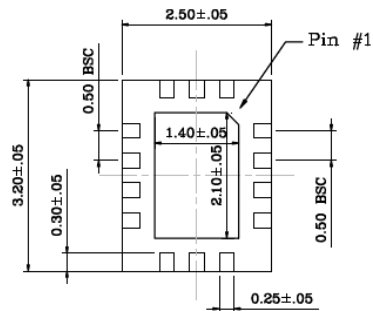
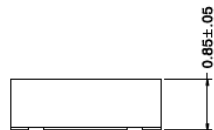
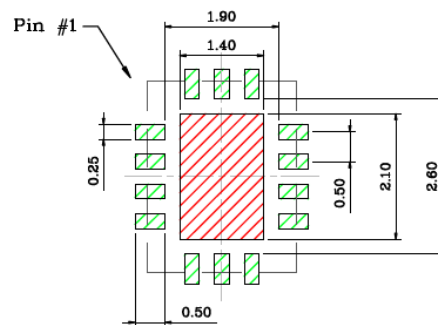


<b>Legend:</b>	XX...X	Product code or customer-specific information
	Y	Year code (last digit of calendar year)
	YY	Year code (last 2 digits of calendar year)
	WW	Week code (week of January 1 is week '01')
	NNN	Alphanumeric traceability code
	(e3)	Pb-free JEDEC® designator for Matte Tin (Sn)
	*	This package is Pb-free. The Pb-free JEDEC designator ((e3)) can be found on the outer packaging for this package.
	●, ▲, ▼	Pin one index is identified by a dot, delta up, or delta down (triangle mark).
<b>Note:</b>	In the event the full Microchip part number cannot be marked on one line, it will be carried over to the next line, thus limiting the number of available characters for customer-specific information. Package may or may not include the corporate logo.	
	Underbar ( ) and/or Overbar ( ) symbol may not be to scale.	

**14-Lead QFN Package Outline and Recommended Land Pattern****TITLE**

14 LEAD QFN 2.5x3.2mm PACKAGE OUTLINE &amp; RECOMMENDED LAND PATTERN

DRAWING #	QFN2532-14LD-PL-1	UNIT	MM
-----------	-------------------	------	----

Top ViewBottom ViewSide ViewRecommended Land Pattern**NOTE:**

1. Green shaded rectangles in Recommended Land Pattern are solder stencil opening.
2. Red shaded rectangle in Recommended Land Pattern is keep out area.

Note: For the most current package drawings, please see the Microchip Packaging Specification located at <http://www.microchip.com/packaging>.

# DSC557-03

---

NOTES:

**APPENDIX A: REVISION HISTORY****Revision A (June 2020)**

- Conversion of Discera Data Sheet DSC557-03 as Microchip data sheet DS20006318A.
- Added LVDS section to the **Section 1.0 “Electrical Characteristics”** table.
- Added LVCMOS section to the **Section 1.0 “Electrical Characteristics”** table.



# DSC557-03

---

NOTES:

**PRODUCT IDENTIFICATION SYSTEM**

To order or obtain information, e.g., on pricing or delivery, contact your local Microchip representative or sales office.

<u>PART NO.</u>	X	X	X	X	X	X
Device	CLK1 Output Format	CLK0 Output Format	Package	Temperature	Frequency Stability	Media Type
<b>Device:</b>	DSC557-03: Two Output PCIe Gen1/2/3/4 Clock Generator					
<b>CLK1 Output Format</b>	1 = LVCMOS 3 = LVDS 4 = HCSL					
<b>CLK0 Output Format</b>	1 = LVCMOS 3 = LVDS 4 = HCSL					
<b>Package:</b>	F = 14-Lead 2.5 mm x 3.2 mm QFN					
<b>Temperature:</b>	E = -20°C to +70°C (Commercial) I = -40°C to +85°C (Industrial) L = -40°C to +105°C (Extended Industrial)					
<b>Frequency Stability:</b>	0 = ±100 ppm 1 = ±50 ppm					
<b>Media Type:</b>	<blank> = 110/Tube T = 1,000/Reel					
<b>Examples:</b>						
a) DSC557-0313FL0: CLK1 Output LVCMOS, CLK0 Output LVDS, 14-Lead QFN, -40°C to +105°C, ±100 ppm, 110/Tube						
b) DSC557-0344FI0: CLK1 Output HCSL, CLK0 Output HCSL, 14-Lead QFN, -40°C to +85°C, ±100 ppm, 110/Tube						
d) DSC557-0343F: CLK1 Output HCSL, CLK0 Output LVDS, 14-Lead QFN, -20°C to +70°C, ±50 ppm, 1,000Tape/Reel						
e) DSC557-0343FL1T: CLK1 Output HCSL, CLK0 Output LVDS, 14-Lead QFN, 40°C to +105°C, ±50 ppm, 1,000Tape/Reel						
<b>Note 1:</b> Tape and Reel identifier only appears in the catalog part number description. This identifier is used for ordering purposes and is not printed on the device package. Check with your Microchip Sales Office for package availability with the Tape and Reel option.						

# DSC557-03

---

NOTES:

**Note the following details of the code protection feature on Microchip devices:**

- Microchip products meet the specification contained in their particular Microchip Data Sheet.
- Microchip believes that its family of products is one of the most secure families of its kind on the market today, when used in the intended manner and under normal conditions.
- There are dishonest and possibly illegal methods used to breach the code protection feature. All of these methods, to our knowledge, require using the Microchip products in a manner outside the operating specifications contained in Microchip's Data Sheets. Most likely, the person doing so is engaged in theft of intellectual property.
- Microchip is willing to work with the customer who is concerned about the integrity of their code.
- Neither Microchip nor any other semiconductor manufacturer can guarantee the security of their code. Code protection does not mean that we are guaranteeing the product as “unbreakable.”

Code protection is constantly evolving. We at Microchip are committed to continuously improving the code protection features of our products. Attempts to break Microchip's code protection feature may be a violation of the Digital Millennium Copyright Act. If such acts allow unauthorized access to your software or other copyrighted work, you may have a right to sue for relief under that Act.

Information contained in this publication regarding device applications and the like is provided only for your convenience and may be superseded by updates. It is your responsibility to ensure that your application meets with your specifications. MICROCHIP MAKES NO REPRESENTATIONS OR WARRANTIES OF ANY KIND WHETHER EXPRESS OR IMPLIED, WRITTEN OR ORAL, STATUTORY OR OTHERWISE, RELATED TO THE INFORMATION, INCLUDING BUT NOT LIMITED TO ITS CONDITION, QUALITY, PERFORMANCE, MERCHANTABILITY OR FITNESS FOR PURPOSE. Microchip disclaims all liability arising from this information and its use. Use of Microchip devices in life support and/or safety applications is entirely at the buyer's risk, and the buyer agrees to defend, indemnify and hold harmless Microchip from any and all damages, claims, suits, or expenses resulting from such use. No licenses are conveyed, implicitly or otherwise, under any Microchip intellectual property rights unless otherwise stated.

**Trademarks**

The Microchip name and logo, the Microchip logo, Adaptec, AnyRate, AVR, AVR logo, AVR Freaks, BesTime, BitCloud, chipKIT, chipKIT logo, CryptoMemory, CryptoRF, dsPIC, FlashFlex, flexPWR, HELDO, IGLOO, JukeBlox, KeeLoq, Klear, LANCheck, LinkMD, maXStylus, maXTouch, MediaLB, megaAVR, Microsemi, Microsemi logo, MOST, MOST logo, MPLAB, OptoLyzer, PackeTime, PIC, picoPower, PICSTART, PIC32 logo, PolarFire, Prochip Designer, QTouch, SAM-BA, SenGenuity, SpyNIC, SST, SST Logo, SuperFlash, Symmetricom, SyncServer, Tachyon, TempTrackr, TimeSource, tinyAVR, UNI/O, Vectron, and XMEGA are registered trademarks of Microchip Technology Incorporated in the U.S.A. and other countries.

APT, ClockWorks, The Embedded Control Solutions Company, EtherSynch, FlashTec, Hyper Speed Control, HyperLight Load, IntelliMOS, Libero, motorBench, mTouch, Powermite 3, Precision Edge, ProASIC, ProASIC Plus, ProASIC Plus logo, Quiet-Wire, SmartFusion, SyncWorld, Temux, TimeCesium, TimeHub, TimePictra, TimeProvider, Vite, WinPath, and ZL are registered trademarks of Microchip Technology Incorporated in the U.S.A.

Adjacent Key Suppression, AKS, Analog-for-the-Digital Age, Any Capacitor, AnyIn, AnyOut, BlueSky, BodyCom, CodeGuard, CryptoAuthentication, CryptoAutomotive, CryptoCompanion, CryptoController, dsPICDEM, dsPICDEM.net, Dynamic Average Matching, DAM, ECAN, EtherGREEN, In-Circuit Serial Programming, ICSP, INICnet, Inter-Chip Connectivity, JitterBlocker, KlearNet, KlearNet logo, memBrain, Mindi, MiWi, MPASM, MPF, MPLAB Certified logo, MPLIB, MPLINK, MultiTRAK, NetDetach, Omniscient Code Generation, PICDEM, PICDEM.net, PICKit, PICtail, PowerSmart, PureSilicon, QMatrix, REAL ICE, Ripple Blocker, SAM-ICE, Serial Quad I/O, SMART-I.S., SQI, SuperSwitcher, SuperSwitcher II, Total Endurance, TSHARC, USBCheck, VariSense, ViewSpan, WiperLock, Wireless DNA, and ZENA are trademarks of Microchip Technology Incorporated in the U.S.A. and other countries.

SQTP is a service mark of Microchip Technology Incorporated in the U.S.A.

The Adaptec logo, Frequency on Demand, Silicon Storage Technology, and Symmcom are registered trademarks of Microchip Technology Inc. in other countries.

GestIC is a registered trademark of Microchip Technology Germany II GmbH & Co. KG, a subsidiary of Microchip Technology Inc., in other countries.

All other trademarks mentioned herein are property of their respective companies.

© 2020, Microchip Technology Incorporated, All Rights Reserved.

ISBN: 978-1-5224-6238-5

For information regarding Microchip's Quality Management Systems, please visit [www.microchip.com/quality](http://www.microchip.com/quality).



# MICROCHIP

## Worldwide Sales and Service

### AMERICAS

**Corporate Office**  
2355 West Chandler Blvd.  
Chandler, AZ 85224-6199  
Tel: 480-792-7200  
Fax: 480-792-7277  
Technical Support:  
<http://www.microchip.com/support>  
Web Address:  
[www.microchip.com](http://www.microchip.com)

**Atlanta**  
Duluth, GA  
Tel: 678-957-9614  
Fax: 678-957-1455

**Austin, TX**  
Tel: 512-257-3370

**Boston**  
Westborough, MA  
Tel: 774-760-0087  
Fax: 774-760-0088

**Chicago**  
Itasca, IL  
Tel: 630-285-0071  
Fax: 630-285-0075

**Dallas**  
Addison, TX  
Tel: 972-818-7423  
Fax: 972-818-2924

**Detroit**  
Novi, MI  
Tel: 248-848-4000

**Houston, TX**  
Tel: 281-894-5983

**Indianapolis**  
Noblesville, IN  
Tel: 317-773-8323  
Fax: 317-773-5453  
Tel: 317-536-2380

**Los Angeles**  
Mission Viejo, CA  
Tel: 949-462-9523  
Fax: 949-462-9608  
Tel: 951-273-7800

**Raleigh, NC**  
Tel: 919-844-7510

**New York, NY**  
Tel: 631-435-6000

**San Jose, CA**  
Tel: 408-735-9110  
Tel: 408-436-4270

**Canada - Toronto**  
Tel: 905-695-1980  
Fax: 905-695-2078

### ASIA/PACIFIC

**Australia - Sydney**  
Tel: 61-2-9868-6733

**China - Beijing**  
Tel: 86-10-8569-7000

**China - Chengdu**  
Tel: 86-28-8665-5511

**China - Chongqing**  
Tel: 86-23-8980-9588

**China - Dongguan**  
Tel: 86-769-8702-9880

**China - Guangzhou**  
Tel: 86-20-8755-8029

**China - Hangzhou**  
Tel: 86-571-8792-8115

**China - Hong Kong SAR**  
Tel: 852-2943-5100

**China - Nanjing**  
Tel: 86-25-8473-2460

**China - Qingdao**  
Tel: 86-532-8502-7355

**China - Shanghai**  
Tel: 86-21-3326-8000

**China - Shenyang**  
Tel: 86-24-2334-2829

**China - Shenzhen**  
Tel: 86-755-8864-2200

**China - Suzhou**  
Tel: 86-186-6233-1526

**China - Wuhan**  
Tel: 86-27-5980-5300

**China - Xian**  
Tel: 86-29-8833-7252

**China - Xiamen**  
Tel: 86-592-2388138

**China - Zhuhai**  
Tel: 86-756-3210040

### ASIA/PACIFIC

**India - Bangalore**  
Tel: 91-80-3090-4444

**India - New Delhi**  
Tel: 91-11-4160-8631

**India - Pune**  
Tel: 91-20-4121-0141

**Japan - Osaka**  
Tel: 81-6-6152-7160

**Japan - Tokyo**  
Tel: 81-3-6880-3770

**Korea - Daegu**  
Tel: 82-53-744-4301

**Korea - Seoul**  
Tel: 82-2-554-7200

**Malaysia - Kuala Lumpur**  
Tel: 60-3-7651-7906

**Malaysia - Penang**  
Tel: 60-4-227-8870

**Philippines - Manila**  
Tel: 63-2-634-9065

**Singapore**  
Tel: 65-6334-8870

**Taiwan - Hsin Chu**  
Tel: 886-3-577-8366

**Taiwan - Kaohsiung**  
Tel: 886-7-213-7830

**Taiwan - Taipei**  
Tel: 886-2-2508-8600

**Thailand - Bangkok**  
Tel: 66-2-694-1351

**Vietnam - Ho Chi Minh**  
Tel: 84-28-5448-2100

### EUROPE

**Austria - Wels**  
Tel: 43-7242-2244-39  
Fax: 43-7242-2244-393

**Denmark - Copenhagen**  
Tel: 45-4485-5910  
Fax: 45-4485-2829

**Finland - Espoo**  
Tel: 358-9-4520-820

**France - Paris**  
Tel: 33-1-69-53-63-20  
Fax: 33-1-69-30-90-79

**Germany - Garching**  
Tel: 49-8931-9700

**Germany - Haan**  
Tel: 49-2129-3766400

**Germany - Heilbronn**  
Tel: 49-7131-72400

**Germany - Karlsruhe**  
Tel: 49-721-625370

**Germany - Munich**  
Tel: 49-89-627-144-0  
Fax: 49-89-627-144-44

**Germany - Rosenheim**  
Tel: 49-8031-354-560

**Israel - Ra'anana**  
Tel: 972-9-744-7705

**Italy - Milan**  
Tel: 39-0331-742611  
Fax: 39-0331-466781

**Italy - Padova**  
Tel: 39-049-7625286

**Netherlands - Drunen**  
Tel: 31-416-690399  
Fax: 31-416-690340

**Norway - Trondheim**  
Tel: 47-7288-4388

**Poland - Warsaw**  
Tel: 48-22-3325737

**Romania - Bucharest**  
Tel: 40-21-407-87-50

**Spain - Madrid**  
Tel: 34-91-708-08-90  
Fax: 34-91-708-08-91

**Sweden - Gothenberg**  
Tel: 46-31-704-60-40

**Sweden - Stockholm**  
Tel: 46-8-5090-4654

**UK - Wokingham**  
Tel: 44-118-921-5800  
Fax: 44-118-921-5820



## OUR CERTIFICATE

DiGi provide top-quality products and perfect service for customer worldwide through standardization, technological innovation and continuous improvement. DiGi through third-party certification, we strictly control the quality of products and services. Welcome your RFQ to

Email: [Info@DiGi-Electronics.com](mailto:Info@DiGi-Electronics.com)



Tel: +00 852-30501935

RFQ Email: [Info@DiGi-Electronics.com](mailto:Info@DiGi-Electronics.com)

DiGi is a global authorized distributor of electronic components.