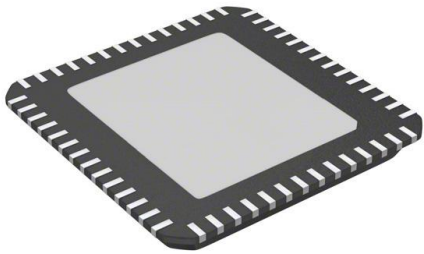


# HV2809K6-G-M937 Datasheet

[www.digi-electronics.com](http://www.digi-electronics.com)



<https://www.DiGi-Electronics.com>

DiGi Electronics Part Number	HV2809K6-G-M937-DG
Manufacturer	<a href="#">Microchip Technology</a>
Manufacturer Product Number	HV2809K6-G-M937
Description	IC SWITCH 2:1 50MHZ 56VFQFN
Detailed Description	Ultrasound Switch IC 32 Channel 56-QFN (8x8)



Tel: +00 852-30501935

RFQ Email: [Info@DiGi-Electronics.com](mailto:Info@DiGi-Electronics.com)

DiGi is a global authorized distributor of electronic components.

## Purchase and inquiry

Manufacturer Product Number:

HV2809K6-G-M937

Series:

-

Applications:

Ultrasound

Switch Circuit:

-

On-State Resistance (Max):

380hm

Voltage - Supply, Dual (V±):

±40V ~ 160V

Features:

-

Mounting Type:

Surface Mount

Supplier Device Package:

56-QFN (8x8)

Manufacturer:

Microchip Technology

Product Status:

Active

Multiplexer/Demultiplexer Circuit:

2:1

Number of Channels:

32

Voltage - Supply, Single (V+):

40V ~ 200V

-3db Bandwidth:

50MHz

Operating Temperature:

0°C ~ 70°C (TA)

Package / Case:

56-VFQFN Exposed Pad

Base Product Number:

HV2809

## Environmental & Export classification

RoHS Status:

ROHS3 Compliant

REACH Status:

REACH Unaffected

HTSUS:

8542.39.0001

Moisture Sensitivity Level (MSL):

3 (168 Hours)

ECCN:

EAR99

## Low Harmonic Distortion, 32-Channel, High Voltage Analog Switch Relay Replacement IC

### Features

- ▶ 32-channel high voltage analog switch
- ▶ 2:1 multiplexer/demultiplexer
- ▶ Enable control for all-OFF state
- ▶ 3.3 or 5.0V CMOS input logic level
- ▶ HVCMOS technology for high performance
- ▶ Very low quiescent power dissipation, 10 $\mu$ A
- ▶ Low parasitic capacitance
- ▶ DC to 50MHz analog signal frequency
- ▶ -60dB typical OFF-isolation at 5.0MHz
- ▶ CMOS logic circuitry for low power
- ▶ Excellent noise immunity
- ▶ Flexible operating supply voltages
- ▶ 56-Lead 8x8 QFN package

### Applications

- ▶ Electromechanical relay replacement in medical ultrasound probes.

### General Description

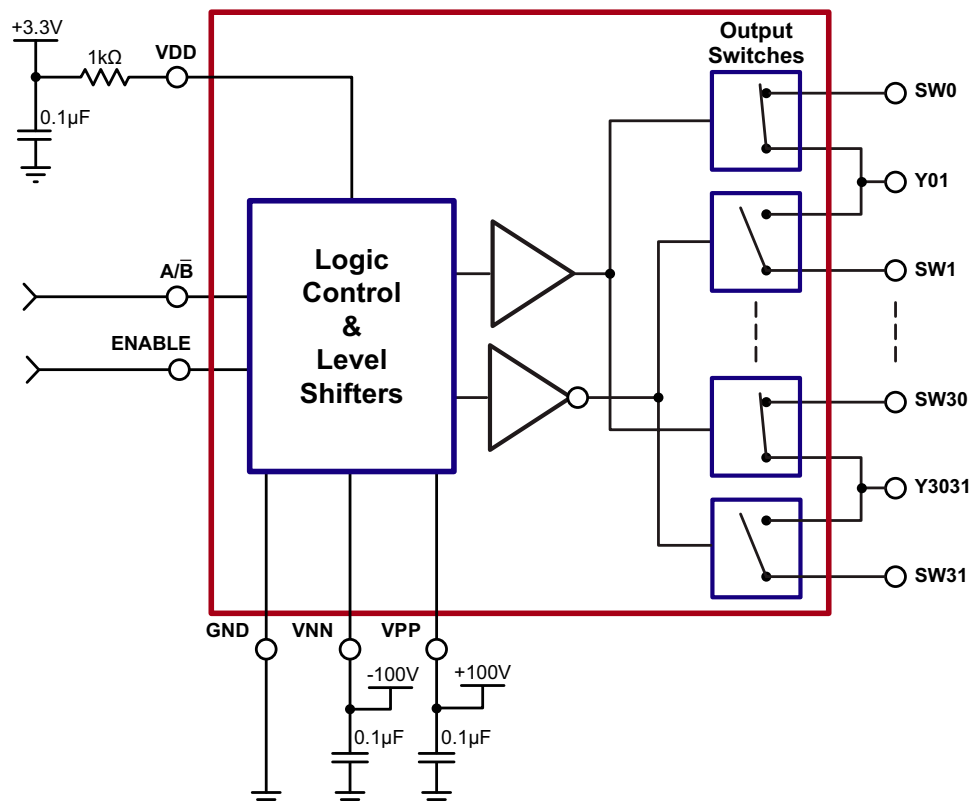
The Supertex HV2809 is a low harmonic distortion, 32-channel, high voltage analog switch integrated circuit (IC), designed for use in medical ultrasound imaging systems as a probe selection relay replacement. It serves as a 16PDT (16-pole, double throw) high voltage analog switch array. The enable function allows the parts to be configured as either a 2:1 or 4:1 multiplexer/demultiplexer. The HV2809 is a very fast transducer multiplexer that consumes minimal power and emits no audible noise.

Using HVCMOS technology, this device combines high voltage bilateral DMOS switches and low power CMOS logic to provide efficient control of high voltage analog signals.

The device is suitable for various combinations of high voltage supplies, e.g.,  $V_{PP}/V_{NN}$ : +40V/-160V, +100V/-100V, and +160V/-40V.

The HV2809 comes in an 8.0mm x 8.0mm x 1.0mm, 56-Lead QFN package. Compared to an electromechanical relay, it not only saves considerable PCB area, but also saves on the PCB assembled height.

### Block Diagram



## Ordering Information

Part Number	Package Options	Packing
HV2809K6-G	56-Lead (8x8) QFN	250/Tray
HV2809K6-G M937	56-Lead (8x8) QFN	2000/Reel

- G indicates package is RoHS compliant ('Green')



## Absolute Maximum Ratings

Parameter	Value
$V_{DD}$ logic supply	-0.5V to +6.5V
$V_{PP}$ - $V_{NN}$ differential supply	220V
$V_{PP}$ positive supply	-0.5V to $V_{NN}$ +200V
$V_{NN}$ negative supply	+0.5V to -200V
Logic input voltage	-0.5V to $V_{DD}$ +0.3V
Analog signal range	$V_{NN}$ to $V_{PP}$
Peak analog signal current/channel	3.0A
Storage temperature	-65°C to 150°C

Absolute Maximum Ratings are those values beyond which damage to the device may occur. Functional operation under these conditions is not implied. Continuous operation of the device at the absolute rating level may affect device reliability. All voltages are referenced to device ground.

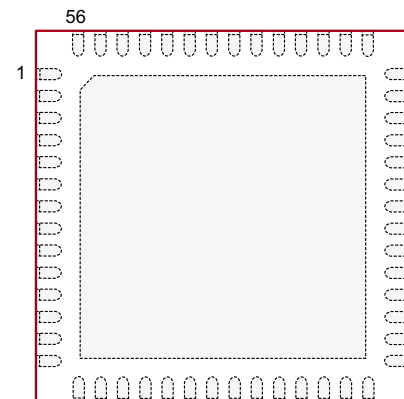
## Recommended Operating Conditions

Sym	Parameter	Value
$V_{DD}$	Logic power supply voltage	3.0 to 5.5V
$V_{PP}$	Positive high voltage supply	+40 to $V_{NN}$ +200V
$V_{NN}$	Negative high voltage supply	-40 to -160V
$V_{IH}$	High level input voltage	$0.9V_{DD}$ to $V_{DD}$
$V_{IL}$	Low level input voltage	0 to $0.1V_{DD}$
$V_{SIG}$	Analog signal voltage peak-to-peak	$V_{NN}$ +10V to $V_{PP}$ -10V
$T_A$	Operating free air temperature	0 to 70°C

### Notes:

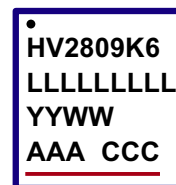
- Power up/down sequence is arbitrary except GND must be powered-up first and powered-down last.
- $V_{SIG}$  must be  $V_{NN} \leq V_{SIG} \leq V_{PP}$  or floating during power up/down transition.
- Rise and fall times of power supplies  $V_{DD}$ ,  $V_{PP}$  and  $V_{NN}$  should not be less than 1.0msec.

## Pin Configuration



56-Lead QFN  
(top view)

## Product Marking



L = Lot Number  
YY = Year Sealed  
WW = Week Sealed  
A = Assembler ID  
C = Country of Origin  
— = "Green" Packaging

Package may or may not include the following marks: Si or

56-Lead QFN

## Typical Thermal Resistance

Package	$\theta_{ja}$
56-Lead QFN	21°C/W

## DC Electrical Characteristics (Over recommended operating conditions unless otherwise specified)

Sym	Parameter	0°C		+25°C			+70°C		Unit	Conditions	
		Min	Max	Min	Typ	Max	Min	Max			
R <sub>ONS</sub>	Small signal switch ON-resistance	-	30	-	26	38	-	48	Ω	I <sub>SIG</sub> = 5.0mA	V <sub>PP</sub> = +40V, V <sub>NN</sub> = -160V
		-	25	-	22	27	-	32		I <sub>SIG</sub> = 200mA	V <sub>NN</sub> = -160V
		-	25	-	22	27	-	30		I <sub>SIG</sub> = 5.0mA	V <sub>PP</sub> = +100V, V <sub>NN</sub> = -100V
		-	18	-	18	24	-	27		I <sub>SIG</sub> = 200mA	V <sub>NN</sub> = -100V
		-	23	-	20	25	-	30		I <sub>SIG</sub> = 5.0mA	V <sub>PP</sub> = +160V, V <sub>NN</sub> = -40V
		-	22	-	16	25	-	27		I <sub>SIG</sub> = 200mA	V <sub>NN</sub> = -40V
ΔR <sub>ONS</sub>	Small signal switch ON-resistance matching	-	20	-	5.0	20	-	20	%	I <sub>SIG</sub> = 5.0mA, V <sub>PP</sub> = +100V, V <sub>NN</sub> = -100V	
R <sub>ONL</sub>	Large signal switch ON-resistance	-	-	-	15	-	-	-	Ω	V <sub>SIG</sub> = V <sub>PP</sub> -10V, I <sub>SIG</sub> = 1A	
I <sub>SOL</sub>	Switch OFF-leakage per switch	-	5.0	-	1.0	10	-	15	μA	V <sub>SIG</sub> = V <sub>PP</sub> -10V, V <sub>NN</sub> +10V	
V <sub>OS</sub>	DC offset switch OFF	-	300	-	100	300	-	300	mV	100kΩ load	
	DC offset switch ON	-	500	-	100	500	-	500			
I <sub>PPQ</sub>	Quiescent V <sub>PP</sub> supply current	-	-	-	10	50	-	-	μA	All switches OFF	
I <sub>NNQ</sub>	Quiescent V <sub>NN</sub> supply current	-	-	-	-10	-50	-	-			
I <sub>PPQ</sub>	Quiescent V <sub>PP</sub> supply current	-	-	-	10	50	-	-	μA	All switches ON, I <sub>SW</sub> = 5.0mA	
I <sub>NNQ</sub>	Quiescent V <sub>NN</sub> supply current	-	-	-	-10	-50	-	-			
I <sub>SW</sub>	Switch output peak current	-	3.0	-	3.0	2.0	-	2.0	A	V <sub>SIG</sub> duty cycle < 0.1%	
f <sub>SW</sub>	Output switching frequency	-	-	-	-	50	-	-	kHz	Duty cycle = 50%	
I <sub>PP</sub>	Average V <sub>PP</sub> supply current	-	13	-	-	14	-	16	mA	V <sub>PP</sub> = +40V, V <sub>NN</sub> = -160V	All output switches are turning ON and OFF at 50kHz with no load
		-	8.0	-	-	10	-	11		V <sub>PP</sub> = +100V, V <sub>NN</sub> = -100V	
		-	8.0	-	-	10	-	11		V <sub>PP</sub> = +160V, V <sub>NN</sub> = -40V	
I <sub>NN</sub>	Average V <sub>NN</sub> supply current	-	13	-	-	14	-	16	mA	V <sub>PP</sub> = +40V, V <sub>NN</sub> = -160V	All output switches are turning ON and OFF at 50kHz with no load
		-	8.0	-	-	10	-	11		V <sub>PP</sub> = +100V, V <sub>NN</sub> = -100V	
		-	8.0	-	-	10	-	11		V <sub>PP</sub> = +160V, V <sub>NN</sub> = -40V	
I <sub>DD</sub>	V <sub>DD</sub> supply current	-	0.1	-	-	0.1	-	0.1	mA	V <sub>DD</sub> = 5.0V@ 50kHz CW	
I <sub>DDQ</sub>	Quiescent V <sub>DD</sub> supply current	-	10	-	-	10	-	10	μA	All logic inputs are static	
C <sub>IN</sub>	Logic input capacitance	-	10	-	-	10	-	10	pF	---	

\* See Test Circuits on page 5

**AC Electrical Characteristics** (Over recommended operating conditions unless otherwise specified)

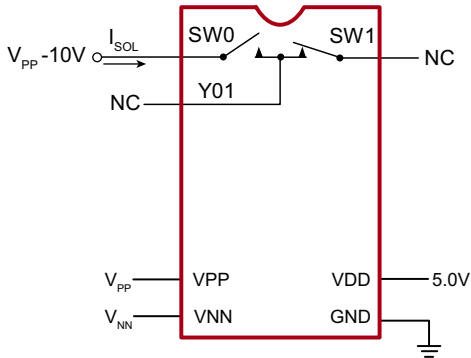
Sym	Parameter	0°C		+25°C			+70°C		Unit	Conditions
		Min	Max	Min	Typ	Max	Min	Max		
t <sub>ON</sub>	Turn ON time	-	30	-	15	30	-	30	μs	V <sub>SIG</sub> = V <sub>PP</sub> -10V, V <sub>PP</sub> = +100V, R <sub>LOAD</sub> = 10kΩ, V <sub>NN</sub> = -100V
t <sub>OFF</sub>	Turn OFF time	-	30	-	15	30	-	30		
dv/dt	Maximum V <sub>SIG</sub> slew rate	-	20	-	-	20	-	20	V/ns	V <sub>PP</sub> = +40V, V <sub>NN</sub> = -160V
		-	20	-	-	20	-	20		V <sub>PP</sub> = +100V, V <sub>NN</sub> = -100V
		-	20	-	-	20	-	20		V <sub>PP</sub> = +160V, V <sub>NN</sub> = -40V
K <sub>O</sub>	OFF isolation	-30	-	-30	-33	-	-30	-	dB	f = 5.0MHz, 1.0kΩ//15pF load
		-58	-	-58	-	-	-58	-		f = 5.0MHz, 50Ω load
K <sub>CR</sub>	Switch crosstalk	-60	-	-60	-70	-	-60	-	dB	f = 5.0MHz, 50Ω load
I <sub>ID</sub>	Output switch isolation diode current	-	300	-	-	300	-	300	mA	300ns pulse width, 2.0% duty cycle
C <sub>SG(OFF)</sub>	OFF capacitance SW to GND	-	14	-	9.0	14	-	14	pF	V <sub>SIG</sub> = 0V, f = 1.0MHz, both SW OFF
	OFF capacitance Y to GND	-	28	-	18	28	-	28		
C <sub>SG(ON)</sub>	ON capacitance SW to GND	-	33	-	23	33	-	33	pF	V <sub>SIG</sub> = 0V, f = 1.0MHz, one SW ON, one SW OFF
	ON capacitance Y to GND	-	33	-	23	33	-	33		
+V <sub>SPK</sub>	Output voltage spike SW	-	250	-	-	250	-	250	mV	V <sub>PP</sub> = +40V, V <sub>NN</sub> = -160V, R <sub>LOAD</sub> = 50Ω
-V <sub>SPK</sub>		-	250	-	-	250	-	250		
+V <sub>SPK</sub>		-	250	-	-	250	-	250		V <sub>PP</sub> = +100V, V <sub>NN</sub> = -100V, R <sub>LOAD</sub> = 50Ω
-V <sub>SPK</sub>		-	250	-	-	250	-	250		
+V <sub>SPK</sub>		-	250	-	-	250	-	250		V <sub>PP</sub> = +160V, V <sub>NN</sub> = -40V, R <sub>LOAD</sub> = 50Ω
-V <sub>SPK</sub>		-	250	-	-	250	-	250		
+V <sub>SPK</sub>	Output voltage spike Y	-	250	-	-	250	-	250	mV	V <sub>PP</sub> = +40V, V <sub>NN</sub> = -160V, R <sub>LOAD</sub> = 50Ω
-V <sub>SPK</sub>		-	250	-	-	250	-	250		
+V <sub>SPK</sub>		-	250	-	-	250	-	250		V <sub>PP</sub> = +100V, V <sub>NN</sub> = -100V, R <sub>LOAD</sub> = 50Ω
-V <sub>SPK</sub>		-	250	-	-	250	-	250		
+V <sub>SPK</sub>		-	250	-	-	250	-	250		V <sub>PP</sub> = +160V, V <sub>NN</sub> = -40V, R <sub>LOAD</sub> = 50Ω
-V <sub>SPK</sub>		-	250	-	-	250	-	250		
QC	Charge injection	-	-	-	1020	-	-	-	pC	V <sub>PP</sub> = +40V, V <sub>NN</sub> = -160V
		-	-	-	700	-	-	-		V <sub>PP</sub> = +100V, V <sub>NN</sub> = -100V
		-	-	-	370	-	-	-		V <sub>PP</sub> = +160V, V <sub>NN</sub> = -40V

\* See Test Circuits on page 5

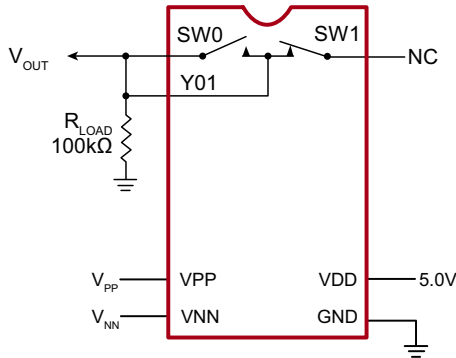
**Truth Table**

Logic Inputs		Switch Status
EN	A/B	
H	H	SW0, 2, 4...30 ON, SW1, 3, 5...31 OFF
H	L	SW0, 2, 4...30 OFF, SW1, 3, 5...31 ON
L	X	All switches OFF

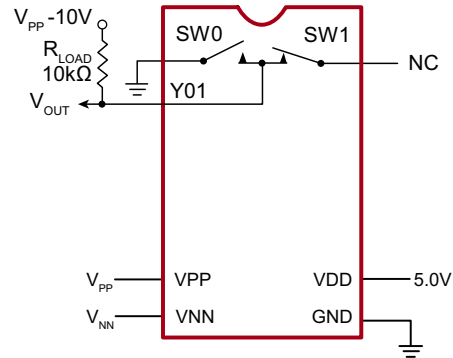
**Test Circuits**



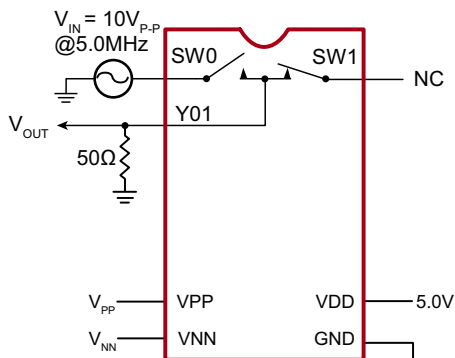
**Switch OFF Leakage**



**DC Offset ON/OFF**

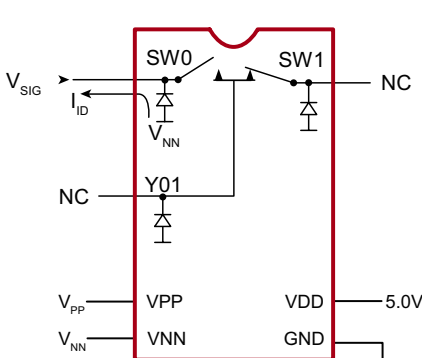


**T<sub>ON</sub>/T<sub>OFF</sub> Test Circuit**

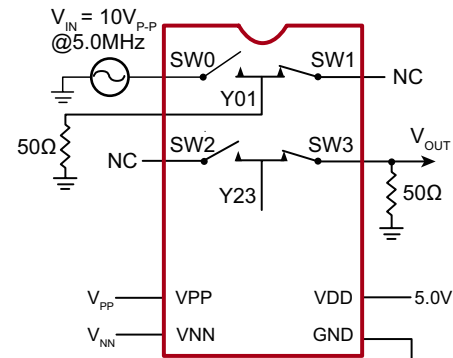


$$K_o = 20\text{Log} \frac{V_{OUT}}{V_{IN}}$$

**OFF Isolation**

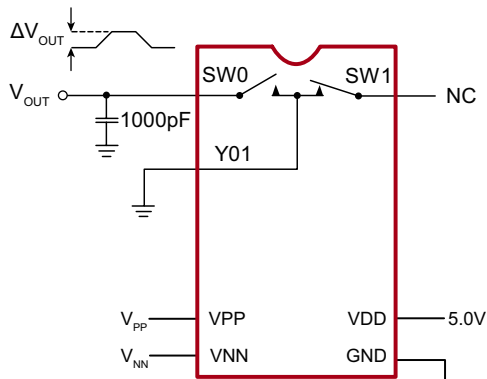


**Isolation Diode Current**



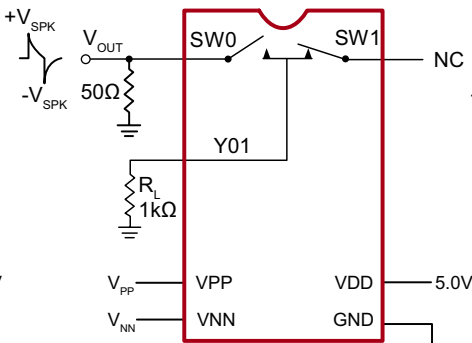
$$K_{CR} = 20\text{Log} \frac{V_{OUT}}{V_{IN}}$$

**Crosstalk**

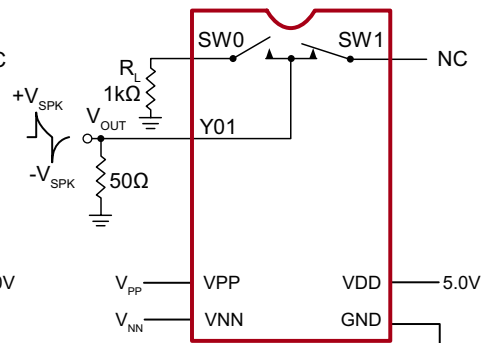


$$Q = 1000\text{pF} \cdot \Delta V_{OUT}$$

**Charge Injection**



**Output Voltage Spike SW**



**Output Voltage Spike Y**

**Pin Function**

Pin	Function	Pin	Function	Pin	Function	Pin	Function
1	Y2829	15	SW3	29	Y1213	43	SW19
2	SW29	16	SW4	30	SW13	44	SW20
3	SW30	17	Y45	31	VNN	45	Y2021
4	Y3031	18	SW5	32	SW14	46	SW21
5	SW31	19	SW6	33	Y1415	47	SW22
6	ENABLE	20	Y67	34	SW15	48	Y2223
7	VDD	21	SW7	35	VPP	49	SW23
8	A $\bar{B}$	22	SW8	36	VPP	50	SW24
9	GND	23	Y89	37	SW16	51	Y2425
10	SW0	24	SW9	38	Y1617	52	SW25
11	Y01	25	SW10	39	SW17	53	SW26
12	SW1	26	Y1011	40	VNN	54	Y2627
13	SW2	27	SW11	41	SW18	55	SW27
14	Y23	28	SW12	42	Y1819	56	SW28

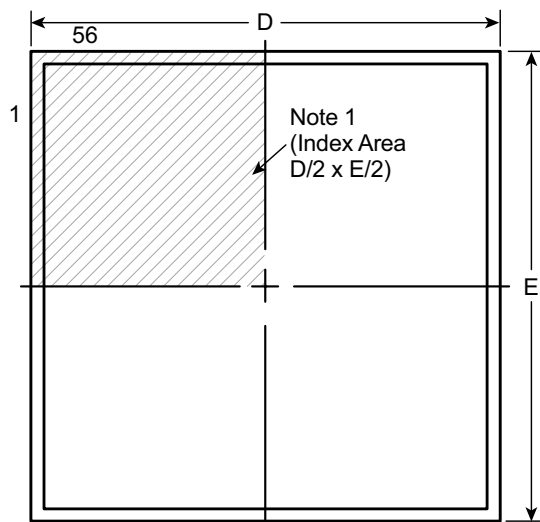
VSUB (Thermal Pad)

The central thermal pad on the bottom of package must be connected to VNN externally

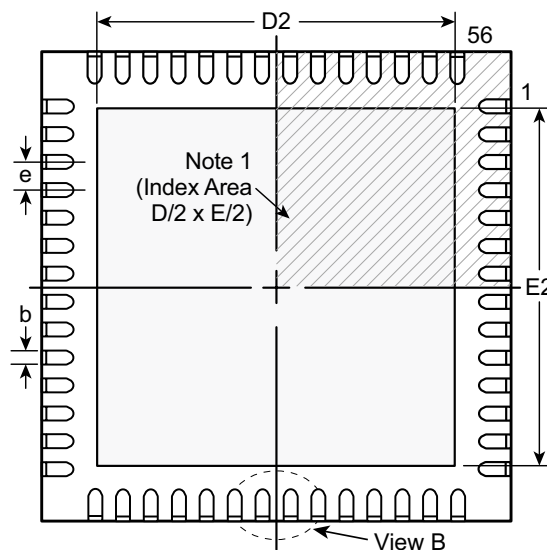


## 56-Lead QFN Package Outline (K6)

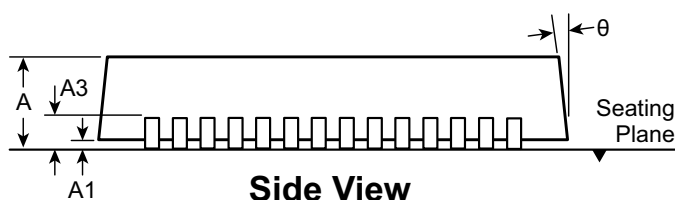
8.00x8.00mm body, 1.00mm height (max), 0.50mm pitch



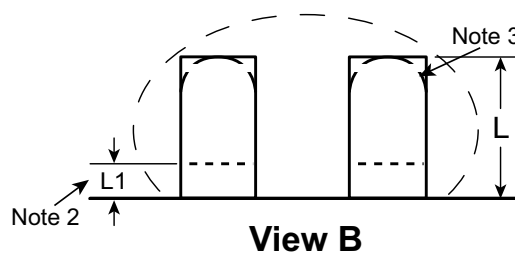
**Top View**



**Bottom View**



**Side View**



**View B**

### Notes:

1. A Pin 1 identifier must be located in the index area indicated. The Pin 1 identifier can be: a molded mark/identifier; an embedded metal marker; or a printed indicator.
2. Depending on the method of manufacturing, a maximum of 0.15mm pullback (L1) may be present.
3. The inner tip of the lead may be either rounded or square.

Symbol		A	A1	A3	b	D	D2	E	E2	e	L	L1	$\theta$
Dimension (mm)	MIN	0.80	0.00	0.20 REF	0.18	7.85*	2.75	7.85*	2.75	0.50 BSC	0.30	0.00	0°
	NOM	0.90	0.02		0.25	8.00	5.70	8.00	5.70		0.40	-	-
	MAX	1.00	0.05		0.30	8.15*	6.70†	8.15*	6.70†		0.50	0.15	14°

JEDEC Registration MO-220, Variation VLLD-2, Issue K, June 2006.

\* This dimension is not specified in the JEDEC drawing.

† This dimension differs from the JEDEC drawing.

Drawings are not to scale.

Supertex Doc.#: DSPD-56QFNK68X8P050, Version A031010.

(The package drawing(s) in this data sheet may not reflect the most current specifications. For the latest package outline information go to <http://www.supertex.com/packaging.html>.)

**Supertex inc.** does not recommend the use of its products in life support applications, and will not knowingly sell them for use in such applications unless it receives an adequate "product liability indemnification insurance agreement." **Supertex inc.** does not assume responsibility for use of devices described, and limits its liability to the replacement of the devices determined defective due to workmanship. No responsibility is assumed for possible omissions and inaccuracies. Circuitry and specifications are subject to change without notice. For the latest product specifications refer to the **Supertex inc.** (website: <http://www.supertex.com>)

## OUR CERTIFICATE

DiGi provide top-quality products and perfect service for customer worldwide through standardization, technological innovation and continuous improvement. DiGi through third-party certification, we stricly control the quality of products and services. Welcome your RFQ to

Email: [Info@DiGi-Electronics.com](mailto:Info@DiGi-Electronics.com)



Tel: +00 852-30501935

RFQ Email: [Info@DiGi-Electronics.com](mailto:Info@DiGi-Electronics.com)

DiGi is a global authorized distributor of electronic components.