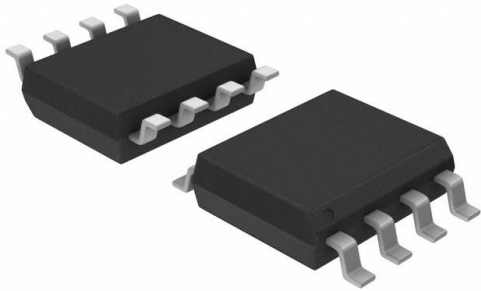


# HV508LG-G Datasheet

[www.digi-electronics.com](http://www.digi-electronics.com)



DiGi Electronics Part Number	HV508LG-G-DG
Manufacturer	<a href="#">Microchip Technology</a>
Manufacturer Product Number	HV508LG-G
Description	IC DISPLAY DRIVER 45V 8SOIC
Detailed Description	Liquid Crystal Shutter Driver 8-SOIC

<https://www.DiGi-Electronics.com>



Tel: +00 852-30501935

RFQ Email: [Info@DiGi-Electronics.com](mailto:Info@DiGi-Electronics.com)

DiGi is a global authorized distributor of electronic components.

## Purchase and inquiry

Manufacturer Product Number:

HV508LG-G

Series:

-

Display Type:

Liquid Crystal Shutter

Interface:

Parallel

Voltage - Supply:

5V ~ 10V

Mounting Type:

Surface Mount

Supplier Device Package:

8-SOIC

Manufacturer:

Microchip Technology

Product Status:

Active

Configuration:

-

Digits or Characters:

-

Operating Temperature:

-5°C ~ 60°C

Package / Case:

8-SOIC (0.154", 3.90mm Width)

Base Product Number:

HV508

## Environmental & Export classification

RoHS Status:

ROHS3 Compliant

REACH Status:

REACH Unaffected

HTSUS:

8542.39.0001

Moisture Sensitivity Level (MSL):

1 (Unlimited)

ECCN:

EAR99





# HV508

## High-Voltage Liquid Crystal Shutter Driver

### Features

- Logic-selectable Output Voltage
- 100 nF Drive Capability
- 90 V<sub>P-P</sub> Maximum Output Voltage
- 25 μs Response Time

### Applications

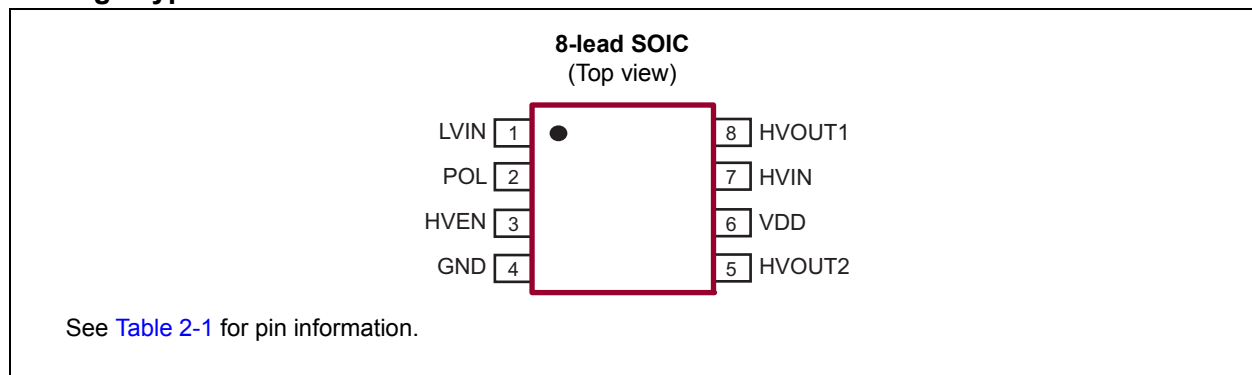
- Liquid Crystal Shutter

### General Description

The HV508 is a 45V liquid crystal shutter driver in an 8-lead SOIC surface-mount package. It is composed of two outputs that provide square waves of opposite phases. The liquid crystal shutter is connected between the two outputs. Its equivalent load can be modeled as a minimum of 1 MΩ resistor in parallel with a maximum of 0.1 μF capacitor.

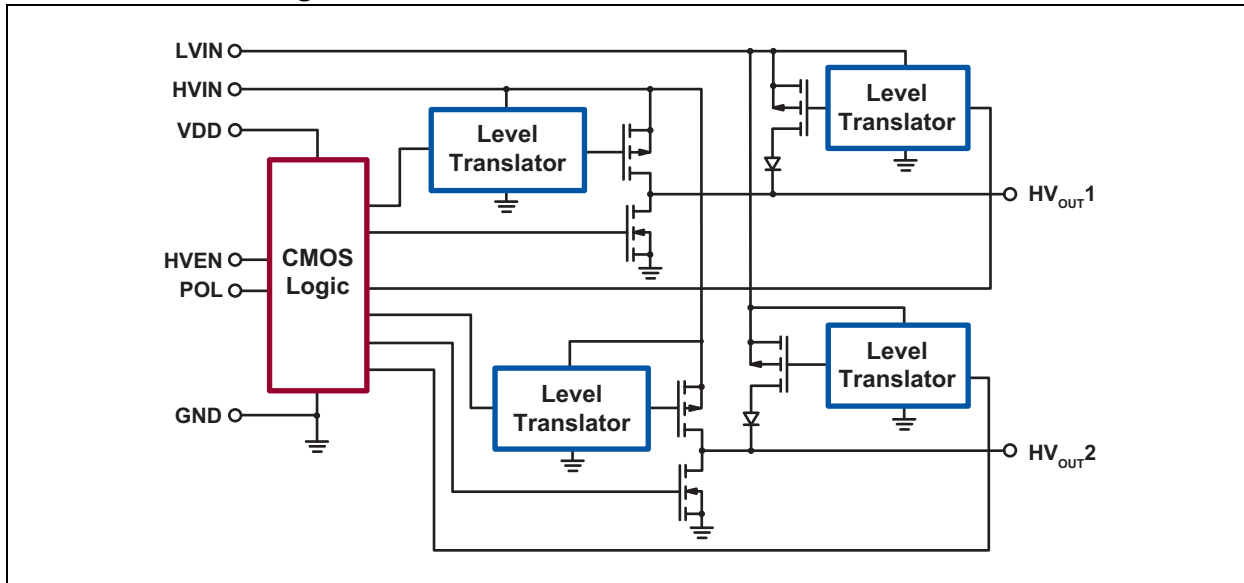
The HV508 has three input supply voltages—HV<sub>IN</sub>, LV<sub>IN</sub> and V<sub>DD</sub>. The output amplitude is either LV<sub>IN</sub> or HV<sub>IN</sub>. A logic high on the HV<sub>EN</sub> input sets the output to operate from the HV<sub>IN</sub> supply. On the other hand, a logic low on the HV<sub>EN</sub> input sets the output to operate from the LV<sub>IN</sub> supply. The output frequency is determined by the logic input frequency applied to the POL input.

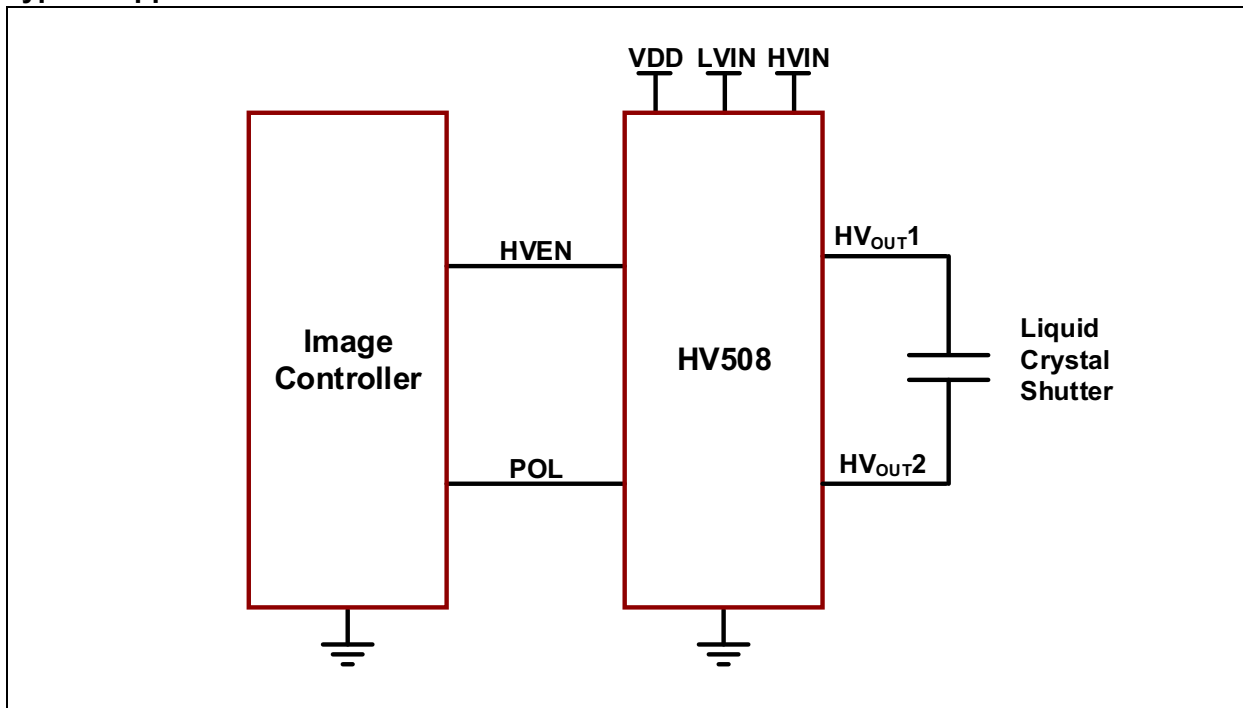
### Package Type



# HV508

## Functional Block Diagram



**Typical Application Circuit**

# HV508

## 1.0 ELECTRICAL CHARACTERISTICS

### Absolute Maximum Ratings†

High-voltage Input, $V_{VIN}$ .....	+60V
Low-voltage Input, $V_{LVIN}$ .....	+7.5V
Logic Supply voltage, $V_{DD}$ .....	+12V
Operating Ambient Temperature, $T_A$ .....	-5°C to +60°C
Storage Temperature, $T_S$ .....	-65°C to +150°C
Power Dissipation ( <b>Note 1</b> ):	
8-lead SOIC .....	700 mW

† **Notice:** Stresses above those listed under “Absolute Maximum Ratings” may cause permanent damage to the device. This is a stress rating only, and functional operation of the device at those or any other conditions above those indicated in the operational sections of this specification is not intended. Exposure to maximum rating conditions for extended periods may affect device reliability.

**Note 1:** For operation above 25°C ambient, derate linearly at 6 mW/°C.

### RECOMMENDED OPERATING CONDITIONS

Parameter	Sym.	Min.	Typ.	Max.	Unit	Conditions
Logic Supply Voltage	$V_{DD}$	5	—	10	V	
Low-output Supply Voltage	$V_{LVIN}$	3	—	6	V	
High-output Supply Voltage	$V_{VIN}$	5	—	45	V	
Logic Input Voltage Low	$V_{IL}$	0	—	$0.3 V_{DD}$	V	
Logic Input Voltage High	$V_{IH}$	$0.7 V_{DD}$	—	$V_{DD}$	V	
Ambient Temperature	$T_A$	-5	—	+60	°C	

### DC ELECTRICAL CHARACTERISTICS

Electrical Specifications: Over operating supply voltages; $T_A = -5^\circ\text{C}$ to $+60^\circ\text{C}$ unless otherwise indicated.						
Parameter	Sym.	Min.	Typ.	Max.	Unit	Conditions
$V_{VIN}$ Quiescent Current	$I_{HVQ}$	—	—	10	$\mu\text{A}$	
$V_{LVIN}$ Quiescent Current	$I_{LVQ}$	—	—	10	$\mu\text{A}$	
$V_{DD}$ Quiescent Current	$I_{DDQ}$	—	—	10	$\mu\text{A}$	
$V_{VIN}$ Operating Current	$I_{HV}$	—	—	2.8	mA	POL = 100 Hz, $V_{EN} = \text{high}$ , $T_A = 25^\circ\text{C}$ , Load = 1 M $\Omega$ in parallel with 0.1 $\mu\text{F}$ between $V_{OUT1}$ and $V_{OUT2}$
$V_{LVIN}$ Operating Current	$I_{LV}$	—	—	380	$\mu\text{A}$	POL = 100 Hz, $V_{EN} = \text{low}$ , $T_A = 25^\circ\text{C}$ , Load = 1 M $\Omega$ in parallel with 0.1 $\mu\text{F}$ between $V_{OUT1}$ and $V_{OUT2}$
Logic Input Current Low	$I_{IL}$	-5	—	—	$\mu\text{A}$	
Logic Input Current High	$I_{IH}$	—	—	5	$\mu\text{A}$	
Output Capacitive Load	$C_{LOAD}$	0	—	0.25	$\mu\text{F}$	$C_{LOAD}$ in parallel with a 1 M $\Omega$ resistor ( <b>Note 1</b> )

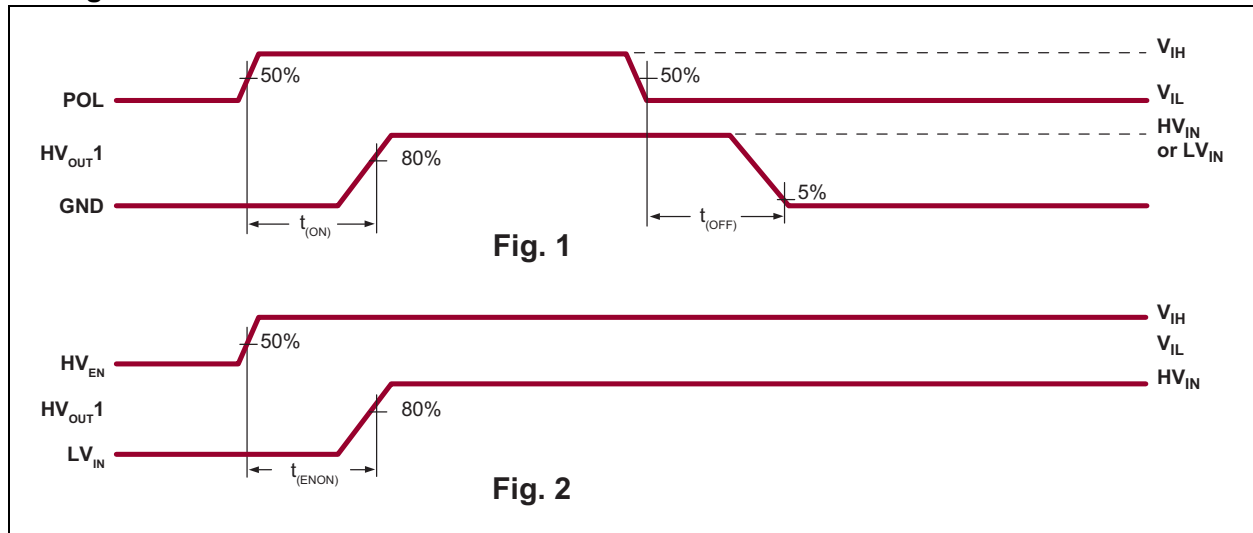
**Note 1:** The device can operate continuously in this range without damage. AC limits are not implemented.

**AC ELECTRICAL CHARACTERISTICS****Electrical Specifications:**  $HV_{IN} = 45V$ ,  $LV_{IN} = 6V$ ,  $V_{DD} = 5V$ , and  $T_A = -5^{\circ}C$  to  $+60^{\circ}C$ .

Parameter	Sym.	Min.	Typ.	Max.	Unit	Conditions
POL Input Frequency	$f_{POL}$	0	—	100	Hz	
Turn-on Time when High-voltage is Enabled	$t_{HV(ON)}$	—	—	16	$\mu s$	Load = 1 M $\Omega$ in parallel with 0.1 $\mu F$ between $HV_{OUT1}$ and $HV_{OUT2}$ , $HV_{EN} =$ high, outputs rise to $HV_{IN}$ (See Fig.1 in <a href="#">Timing Waveforms.</a> )
Turn-off Time when high-voltage is Enabled	$t_{HV(OFF)}$	—	—	16	$\mu s$	
Turn-on time when High-voltage is Disabled	$t_{LV(ON)}$	—	—	40	$\mu s$	Load = 1 M $\Omega$ in parallel with 0.1 $\mu F$ between $HV_{OUT1}$ and $HV_{OUT2}$ , $HV_{EN} =$ low, outputs rise to $HV_{IN}$ (See Fig.1 in <a href="#">Timing Waveforms.</a> )
Turn-off time when High-voltage is Disabled	$t_{LV(OFF)}$	—	—	6	$\mu s$	
Turn-on time from $HV_{EN}$ to $HV_{OUT}$	$t_{EN(ON)}$	—	—	25	$\mu s$	Load = 1 M $\Omega$ in parallel with 0.1 $\mu F$ between $HV_{OUT1}$ and $HV_{OUT2}$ (See Fig.2 in <a href="#">Timing Waveforms.</a> )

**TEMPERATURE SPECIFICATIONS**

Parameter	Sym.	Min.	Typ.	Max.	Unit	Conditions
<b>TEMPERATURE RANGE</b>						
Operating Ambient Temperature	$T_A$	-5	—	+60	$^{\circ}C$	
Storage Temperature	$T_S$	-65	—	+150	$^{\circ}C$	
<b>PACKAGE THERMAL RESISTANCE</b>						
8-lead SOIC	$\theta_{JA}$	—	101	—	$^{\circ}C/W$	

**Timing Waveforms**

# HV508

---

## 2.0 PIN DESCRIPTION

The details on the pins of HV508 are listed on [Table 2-1](#). Refer to [Package Type](#) for the location of pins.

**TABLE 2-1: PIN FUNCTION TABLE**

Pin Number	Pin Name	Description
1	LVIN	Low Voltage Supply
2	POL	Polarity
3	HVEN	High Voltage Enable
4	GND	Ground
5	HVOUT2	High Voltage Output Channel 2
6	VDD	Logic Voltage Supply
7	HVIN	High Voltage Supply
8	HVOUT1	High Voltage Output Channel 1



### 3.0 FUNCTIONAL DESCRIPTION

Follow the steps in [Table 3-1](#) to power up and power down the HV508.

**TABLE 3-1: POWER-UP AND POWER-DOWN SEQUENCE**

Power-up		Power-down	
Step	Description	Step	Description
1	Connect ground.	1	Remove LV <sub>IN</sub> .
2	Apply V <sub>DD</sub> .	2	Remove HV <sub>IN</sub> .
3	Connect logic Inputs.	2	Remove all logic inputs.
4	Connect HV <sub>IN</sub> .	3	Remove V <sub>DD</sub> .
5	Connect LV <sub>IN</sub> .	4	Disconnect ground.

**TABLE 3-2: TRUTH FUNCTION TABLE**

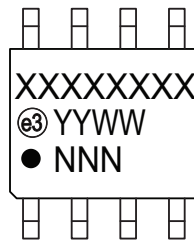
HV <sub>EN</sub>	POL	HV <sub>OUT1</sub>	HV <sub>OUT2</sub>
H	H	HV <sub>IN</sub>	GND
H	L	GND	HV <sub>IN</sub>
L	H	LV <sub>IN</sub>	GND
L	L	GND	LV <sub>IN</sub>

# HV508

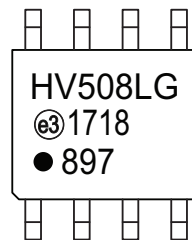
## 4.0 PACKAGE MARKING INFORMATION

### 4.1 Packaging Information

8-lead SOIC



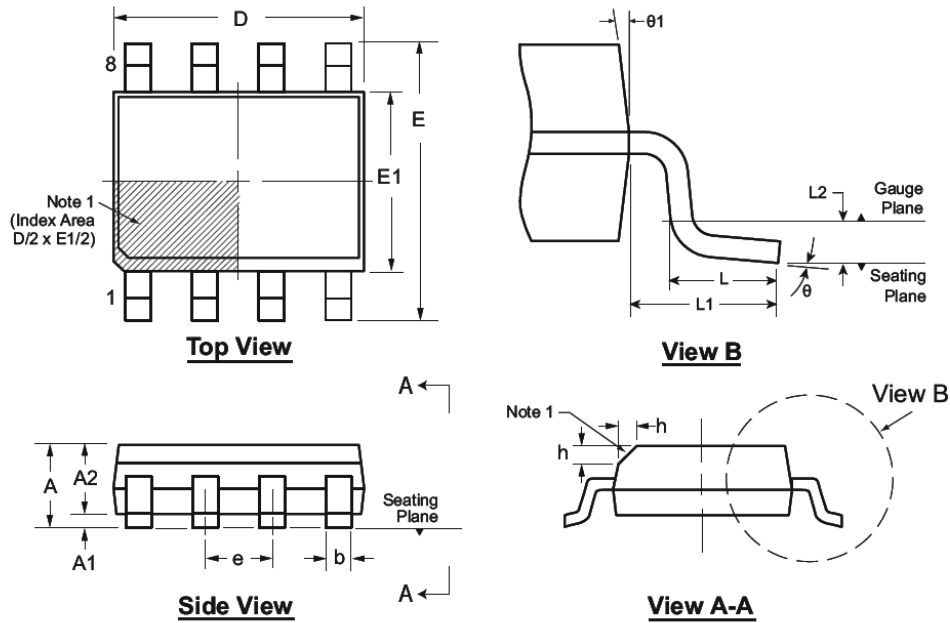
Example



<b>Legend:</b>	XX...X	Product Code or Customer-specific information
	Y	Year code (last digit of calendar year)
	YY	Year code (last 2 digits of calendar year)
	WW	Week code (week of January 1 is week '01')
	NNN	Alphanumeric traceability code
	(e3)	Pb-free JEDEC <sup>®</sup> designator for Matte Tin (Sn)
	*	This package is Pb-free. The Pb-free JEDEC designator (e3) can be found on the outer packaging for this package.

**Note:** In the event the full Microchip part number cannot be marked on one line, it will be carried over to the next line, thus limiting the number of available characters for product code or customer-specific information. Package may or not include the corporate logo.

## 8-Lead SOIC (Narrow Body) Package Outline (LG/TG) 4.90x3.90mm body, 1.75mm height (max), 1.27mm pitch



Note: For the most current package drawings, see the Microchip Packaging Specification at [www.microchip.com/packaging](http://www.microchip.com/packaging).

**Note:**

- This chamfer feature is optional. A Pin 1 identifier must be located in the index area indicated. The Pin 1 identifier can be: a molded mark/identifier, an embedded metal marker, or a printed indicator.

Symbol	A	A1	A2	b	D	E	E1	e	h	L	L1	L2	θ	θ1	
Dimension (mm)	MIN	1.35*	0.10	1.25	0.31	4.80*	5.80*	3.80*	1.27 BSC	0.25	0.40	1.04 REF	0.25 BSC	0°	5°
	NOM	-	-	-	-	4.90	6.00	3.90		-	-			-	-
	MAX	1.75	0.25	1.65*	0.51	5.00*	6.20*	4.00*		0.50	1.27			8°	15°

JEDEC Registration MS-012, Variation AA, Issue E, Sept. 2005.

\* This dimension is not specified in the JEDEC drawing.

Drawings are not to scale.

# HV508

---

NOTES:

**APPENDIX A: REVISION HISTORY****Revision A (March 2017)**

- Converted Supertex Doc# DSFP-HV508 to Microchip DS20005728A
- Removed “HVCMOS<sup>®</sup> Technology” throughout the data sheet
- Changed part marking format
- Changed the quantity of the 8-lead SOIC LG package from 2500/Reel to 3300/Reel
- Made minor text changes throughout the document

# HV508

## PRODUCT IDENTIFICATION SYSTEM

To order or obtain information, e.g., on pricing or delivery, contact your local Microchip representative or sales office.

<u>PART NO.</u>	<u>XX</u>	-	<u>X</u>	-	<u>X</u>
Device	Package Options		Environmental		Media Type
Device: HV508 = High-Voltage Liquid Crystal Shutter Driver Package: LG = 8-lead SOIC Environmental: G = Lead (Pb)-free/RoHS-compliant Package Media Type: (blank) = 3300/Reel for an LG Package	<b>Example:</b> a) HV508LG-G: High-Voltage Liquid Crystal Shutter Driver, 8-lead SOIC, 3300/Reel				



**Note the following details of the code protection feature on Microchip devices:**

- Microchip products meet the specification contained in their particular Microchip Data Sheet.
- Microchip believes that its family of products is one of the most secure families of its kind on the market today, when used in the intended manner and under normal conditions.
- There are dishonest and possibly illegal methods used to breach the code protection feature. All of these methods, to our knowledge, require using the Microchip products in a manner outside the operating specifications contained in Microchip's Data Sheets. Most likely, the person doing so is engaged in theft of intellectual property.
- Microchip is willing to work with the customer who is concerned about the integrity of their code.
- Neither Microchip nor any other semiconductor manufacturer can guarantee the security of their code. Code protection does not mean that we are guaranteeing the product as “unbreakable.”

Code protection is constantly evolving. We at Microchip are committed to continuously improving the code protection features of our products. Attempts to break Microchip's code protection feature may be a violation of the Digital Millennium Copyright Act. If such acts allow unauthorized access to your software or other copyrighted work, you may have a right to sue for relief under that Act.

Information contained in this publication regarding device applications and the like is provided only for your convenience and may be superseded by updates. It is your responsibility to ensure that your application meets with your specifications. MICROCHIP MAKES NO REPRESENTATIONS OR WARRANTIES OF ANY KIND WHETHER EXPRESS OR IMPLIED, WRITTEN OR ORAL, STATUTORY OR OTHERWISE, RELATED TO THE INFORMATION, INCLUDING BUT NOT LIMITED TO ITS CONDITION, QUALITY, PERFORMANCE, MERCHANTABILITY OR FITNESS FOR PURPOSE. Microchip disclaims all liability arising from this information and its use. Use of Microchip devices in life support and/or safety applications is entirely at the buyer's risk, and the buyer agrees to defend, indemnify and hold harmless Microchip from any and all damages, claims, suits, or expenses resulting from such use. No licenses are conveyed, implicitly or otherwise, under any Microchip intellectual property rights unless otherwise stated.

*Microchip received ISO/TS-16949:2009 certification for its worldwide headquarters, design and wafer fabrication facilities in Chandler and Tempe, Arizona; Gresham, Oregon and design centers in California and India. The Company's quality system processes and procedures are for its PIC® MCUs and dsPIC® DSCs, KEELOQ® code hopping devices, Serial EEPROMs, microperipherals, nonvolatile memory and analog products. In addition, Microchip's quality system for the design and manufacture of development systems is ISO 9001:2000 certified.*

**QUALITY MANAGEMENT SYSTEM  
CERTIFIED BY DNV  
= ISO/TS 16949 =**

**Trademarks**

The Microchip name and logo, the Microchip logo, AnyRate, AVR, AVR logo, AVR Freaks, BeaconThings, BitCloud, CryptoMemory, CryptoRF, dsPIC, FlashFlex, flexPWR, Helder, JukeBlox, KEELOQ, KEELOQ logo, Klear, LANCheck, LINK MD, maXStylus, maXTouch, MediaLB, megaAVR, MOST, MOST logo, MPLAB, OptoLyzer, PIC, picoPower, PICSTART, PIC32 logo, Prochip Designer, QTouch, RightTouch, SAM-BA, SpyNIC, SST, SST Logo, SuperFlash, tinyAVR, UNI/O, and XMEGA are registered trademarks of Microchip Technology Incorporated in the U.S.A. and other countries.

ClockWorks, The Embedded Control Solutions Company, EtherSynch, Hyper Speed Control, HyperLight Load, IntelliMOS, mTouch, Precision Edge, and Quiet-Wire are registered trademarks of Microchip Technology Incorporated in the U.S.A.

Adjacent Key Suppression, AKS, Analog-for-the-Digital Age, Any Capacitor, AnyIn, AnyOut, BodyCom, chipKIT, chipKIT logo, CodeGuard, CryptoAuthentication, CryptoCompanion, CryptoController, dsPICDEM, dsPICDEM.net, Dynamic Average Matching, DAM, ECAN, EtherGREEN, In-Circuit Serial Programming, ICSP, Inter-Chip Connectivity, JitterBlocker, KlearNet, KlearNet logo, Mindi, MiWi, motorBench, MPASM, MPF, MPLAB Certified logo, MPLIB, MPLINK, MultiTRAK, NetDetach, Omniscient Code Generation, PICDEM, PICDEM.net, PICKit, PICTail, PureSilicon, QMatrix, RightTouch logo, REAL ICE, Ripple Blocker, SAM-ICE, Serial Quad I/O, SMART-I.S., SQI, SuperSwitcher, SuperSwitcher II, Total Endurance, TSHARC, USBCheck, VariSense, ViewSpan, WiperLock, Wireless DNA, and ZENA are trademarks of Microchip Technology Incorporated in the U.S.A. and other countries.

SQTP is a service mark of Microchip Technology Incorporated in the U.S.A.

Silicon Storage Technology is a registered trademark of Microchip Technology Inc. in other countries.

GestIC is a registered trademark of Microchip Technology Germany II GmbH & Co. KG, a subsidiary of Microchip Technology Inc., in other countries.

All other trademarks mentioned herein are property of their respective companies.

© 2017, Microchip Technology Incorporated, All Rights Reserved.  
ISBN: 978-1-5224-1530-5



# MICROCHIP

## Worldwide Sales and Service

### AMERICAS

#### Corporate Office

2355 West Chandler Blvd.  
Chandler, AZ 85224-6199

Tel: 480-792-7200

Fax: 480-792-7277

Technical Support:

<http://www.microchip.com/support>

Web Address:

[www.microchip.com](http://www.microchip.com)

#### Atlanta

Duluth, GA

Tel: 678-957-9614

Fax: 678-957-1455

#### Austin, TX

Tel: 512-257-3370

#### Boston

Westborough, MA

Tel: 774-760-0087

Fax: 774-760-0088

#### Chicago

Itasca, IL

Tel: 630-285-0071

Fax: 630-285-0075

#### Dallas

Addison, TX

Tel: 972-818-7423

Fax: 972-818-2924

#### Detroit

Novi, MI

Tel: 248-848-4000

#### Houston, TX

Tel: 281-894-5983

#### Indianapolis

Noblesville, IN

Tel: 317-773-8323

Fax: 317-773-5453

Tel: 317-536-2380

#### Los Angeles

Mission Viejo, CA

Tel: 949-462-9523

Fax: 949-462-9608

Tel: 951-273-7800

#### Raleigh, NC

Tel: 919-844-7510

#### New York, NY

Tel: 631-435-6000

#### San Jose, CA

Tel: 408-735-9110

Tel: 408-436-4270

#### Canada - Toronto

Tel: 905-695-1980

Fax: 905-695-2078

### ASIA/PACIFIC

#### Asia Pacific Office

Suites 3707-14, 37th Floor  
Tower 6, The Gateway  
Harbour City, Kowloon

#### Hong Kong

Tel: 852-2943-5100

Fax: 852-2401-3431

#### Australia - Sydney

Tel: 61-2-9868-6733

Fax: 61-2-9868-6755

#### China - Beijing

Tel: 86-10-8569-7000

Fax: 86-10-8528-2104

#### China - Chengdu

Tel: 86-28-8665-5511

Fax: 86-28-8665-7889

#### China - Chongqing

Tel: 86-23-8980-9588

Fax: 86-23-8980-9500

#### China - Dongguan

Tel: 86-769-8702-9880

#### China - Guangzhou

Tel: 86-20-8755-8029

#### China - Hangzhou

Tel: 86-571-8792-8115

Fax: 86-571-8792-8116

#### China - Hong Kong SAR

Tel: 852-2943-5100

Fax: 852-2401-3431

#### China - Nanjing

Tel: 86-25-8473-2460

Fax: 86-25-8473-2470

#### China - Qingdao

Tel: 86-532-8502-7355

Fax: 86-532-8502-7205

#### China - Shanghai

Tel: 86-21-3326-8000

Fax: 86-21-3326-8021

#### China - Shenyang

Tel: 86-24-2334-2829

Fax: 86-24-2334-2393

#### China - Shenzhen

Tel: 86-755-8864-2200

Fax: 86-755-8203-1760

#### China - Wuhan

Tel: 86-27-5980-5300

Fax: 86-27-5980-5118

#### China - Xian

Tel: 86-29-8833-7252

Fax: 86-29-8833-7256

### ASIA/PACIFIC

#### China - Xiamen

Tel: 86-592-2388138

Fax: 86-592-2388130

#### China - Zhuhai

Tel: 86-756-3210040

Fax: 86-756-3210049

#### India - Bangalore

Tel: 91-80-3090-4444

Fax: 91-80-3090-4123

#### India - New Delhi

Tel: 91-11-4160-8631

Fax: 91-11-4160-8632

#### India - Pune

Tel: 91-20-3019-1500

#### Japan - Osaka

Tel: 81-6-6152-7160

Fax: 81-6-6152-9310

#### Japan - Tokyo

Tel: 81-3-6880-3770

Fax: 81-3-6880-3771

#### Korea - Daegu

Tel: 82-53-744-4301

Fax: 82-53-744-4302

#### Korea - Seoul

Tel: 82-2-554-7200

Fax: 82-2-558-5932 or

82-2-558-5934

#### Malaysia - Kuala Lumpur

Tel: 60-3-6201-9857

Fax: 60-3-6201-9859

#### Malaysia - Penang

Tel: 60-4-227-8870

Fax: 60-4-227-4068

#### Philippines - Manila

Tel: 63-2-634-9065

Fax: 63-2-634-9069

#### Singapore

Tel: 65-6334-8870

Fax: 65-6334-8850

#### Taiwan - Hsin Chu

Tel: 886-3-5778-366

Fax: 886-3-5770-955

#### Taiwan - Kaohsiung

Tel: 886-7-213-7830

#### Taiwan - Taipei

Tel: 886-2-2508-8600

Fax: 886-2-2508-0102

#### Thailand - Bangkok

Tel: 66-2-694-1351

Fax: 66-2-694-1350

### EUROPE

#### Austria - Wels

Tel: 43-7242-2244-39

Fax: 43-7242-2244-393

#### Denmark - Copenhagen

Tel: 45-4450-2828

Fax: 45-4485-2829

#### Finland - Espoo

Tel: 358-9-4520-820

#### France - Paris

Tel: 33-1-69-53-63-20

Fax: 33-1-69-30-90-79

#### France - Saint Cloud

Tel: 33-1-30-60-70-00

#### Germany - Garching

Tel: 49-8931-9700

#### Germany - Haan

Tel: 49-2129-3766400

#### Germany - Heilbronn

Tel: 49-7131-67-3636

#### Germany - Karlsruhe

Tel: 49-721-625370

#### Germany - Munich

Tel: 49-89-627-144-0

Fax: 49-89-627-144-44

#### Germany - Rosenheim

Tel: 49-8031-354-560

#### Israel - Ra'anana

Tel: 972-9-744-7705

#### Italy - Milan

Tel: 39-0331-742611

Fax: 39-0331-466781

#### Italy - Padova

Tel: 39-049-7625286

#### Netherlands - Drunen

Tel: 31-416-690399

Fax: 31-416-690340

#### Norway - Trondheim

Tel: 47-7289-7561

#### Poland - Warsaw

Tel: 48-22-3325737

#### Romania - Bucharest

Tel: 40-21-407-87-50

#### Spain - Madrid

Tel: 34-91-708-08-90

Fax: 34-91-708-08-91

#### Sweden - Gothenberg

Tel: 46-31-704-60-40

#### Sweden - Stockholm

Tel: 46-8-5090-4654

#### UK - Wokingham

Tel: 44-118-921-5800

Fax: 44-118-921-5820



## OUR CERTIFICATE

DiGi provide top-quality products and perfect service for customer worldwide through standardization, technological innovation and continuous improvement. DiGi through third-party certification, we strictly control the quality of products and services. Welcome your RFQ to

Email: [Info@DiGi-Electronics.com](mailto:Info@DiGi-Electronics.com)



Tel: +00 852-30501935

RFQ Email: [Info@DiGi-Electronics.com](mailto:Info@DiGi-Electronics.com)

DiGi is a global authorized distributor of electronic components.